

# ***Dahle 20392 High Capacity Level P-5 Micro Cut Paper Shredder***

Instruction Manual



*Provided by*

**MyBinding.com**

*When Image Matters.*

Call Us at 1-800-944-4573



# **390 SERIES HIGH CAPACITY SHREDDERS**

**20390**

**20394**

**20396**

## **OPERATION MANUAL**

20390.90.1830 - 09/2007

Congratulations on your purchase of a DAHLE High Capacity Shredder! We here at DAHLE North America are dedicated to providing rugged and dependable products for the large, and not so large office. We are sure your new DAHLE High Capacity Shredder will meet or exceed your expectations of quality and service.

If you have any questions regarding your new DAHLE High Capacity shredder, call your sales representative, or call DAHLE Customer Service, toll free, at (800) 995-1379 between 8:30 am and 5:00 pm Monday through Friday, EST.

Check off the model and record the serial number for your records in the space provided below.

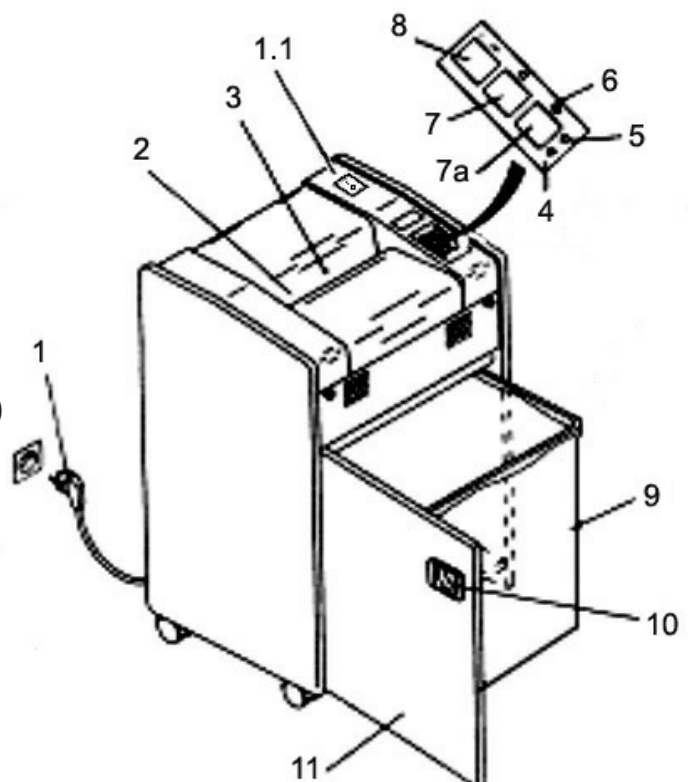
**20390**       **20394**       **20396**

Serial Number: \_\_\_\_\_

## **DIAGRAM KEY**

---

1. Main Plug
- 1.1 Main Switch
2. Feed Opening
3. Light Barrier
4. Bag Full Indicator
5. Door Ajar Indicator
6. Paper Jam Indicator
7. Forward Switch (electronic models)
- 7a. Reverse Switch (electronic models)
8. Power Switch (electronic models)
9. Waste Bin
10. Door Handle
11. Door



READ ALL INSTRUCTIONS BEFORE OPERATING YOUR SHREDDER

# SAFETY INSTRUCTIONS

---



- Read the operating instructions carefully prior to starting up the unit!
- Do not use in the vicinity of flammable liquids or gases.
- Do not use in the vicinity of corrosive materials.
- Do not expose to the wet.
- Do not let children operate this office equipment.
- Do not reach into the cutting mechanism during operation.
- Do not use the shredder over a period of more than 5 minutes in no-load operation (operation without paper).
- Keep long hair clear of machine.
- Keep neck-ties clear of machine.
- Keep bracelets clear of machine.
- Power supply must be accessible all the times.
- Disconnect power supply before servicing.
- The safety devices must not be manipulated with or removed.
- Please make sure that the shredder gets sufficient ventilation (ventilating flaps must kept free).
- Product is not intended for use by children.



**IMPORTANT - Model 20394: Do NOT shred staples and paperclips.**

## BEFORE YOU SHRED

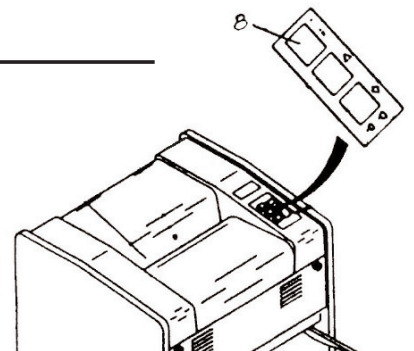
---

- Remove Transport Bolts with wrench provided.
- Record the Model and Serial Number in the space provided inside the front cover.
- Be sure the electrical outlet provides the proper power for your shredder (see rating label on rear of shredder).
- Install Shred Bag (see: "CHANGING THE SHRED BAG").

## TURNING ON YOUR SHREDDER

---

1. ON/OFF is controlled by the main switch (1.1) and green push button (8) found on top of the shredder.
2. Pressing these buttons (main switch 1.1 first) turns the shredder on and places it in the stand-by mode.
3. Pressing these buttons again turns the shredder off.

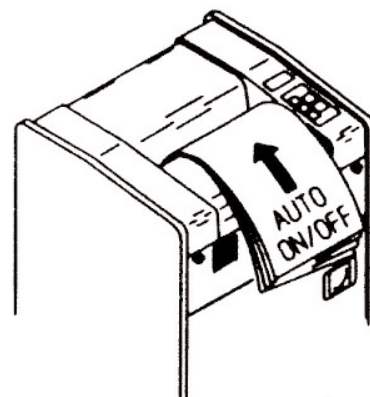


**ALWAYS TURN SHREDDER OFF IF IT WILL BE UNATTENDED FOR LONG PERIODS OF TIME**

## **SHREDDING**

---

Turn shredder on. Insert paper squarely into Feed Opening (3). A light barrier will automatically activate the shredding mechanism. Continue feeding paper into the Feed Opening until the shredding mechanism begins to draw the paper in. At this point, allow the paper to feed into the shredder on its own. Once the paper has passed completely through the shredding mechanism, the electronic controls will automatically stop the machine.



To shred a piece of paper too small to break the light barrier, press the FORWARD button (7) once to override the auto ON/OFF function. The shredder will continue to run until the FORWARD button (7) is pressed again.

Microfiche and transparencies can also be shredded in the same manner as paper, however, you should shred a piece of paper after every 8 or 10 sheets of plastic. This helps clean plastic particles out of the shredding mechanism.

## **CAPACITY**

---

Capacity is the number of sheets of 8<sup>1</sup>/<sub>2</sub> "x 11" paper that can be shredded at one time. These figures are approximate and machines may vary slightly due to various conditions. It is not recommended that you try to run your shredder at maximum capacity, as this increases the chance of a paper jam.

<b><u>Model</u></b>	<b><u>20 Lb. Bond</u></b>	<b><u>16 Lb. Bond</u></b>
20390	55	60
20394	8	10
20396	38	43

## **CLEARING A PAPER JAM**

---

If too many sheets of paper are fed into your shredder at one time, it may cause a paper jam. Running your shredder at maximum capacity increases the chance of a paper jam. If a paper jam occurs, it is easy to clear by following these simple steps:

The Auto-Reverse feature, built into the electronic versions of DAHLE High Capacity Shredders, helps prevent paper jams. If the Auto-Reverse feature is activated an audible alarm sounds and the paper Jam Indicator (6) lights up. If this situation occurs, follow these simple steps:

ALWAYS TURN SHREDDER OFF IF IT WILL BE UNATTENDED FOR LONG PERIODS OF TIME

1. Remove paper from Feed Opening. The REVERSE button (7a) may be used if excess paper remains in the Feed Opening (not on Model 20394). Clear shredding mechanism by pressing the FORWARD button (7).
2. Separate some of the sheets and continue shredding.

## **20394**

1. In case of a paper jam the shredder runs backwards for 0,5 sec.
2. Remove paper from feed opening. Clear shredding mechanism by pressing the FORWARD button (7). The REVERSE button (7a) is locked until the FORWARD button (7) has been pressed.
3. Separate some of the sheets and continue shredding.

## **CHANGING THE SHRED BAG**

When the Shred Bag is full, the shredder will automatically shut down. On the electronic models an LED indicator will light and an audible alarm will sound. Changing the Shred Bag is quick and easy if you follow these simple directions.

1. Turn shredder off
2. Open Door (11) using Door Handle (10) to expose Waste Bin (9) and Shred Bag.
3. Slide Waste Bin and full Shred Bag from shredder.
4. Dispose of full Shred Bag.
5. Install new Shred Bag in Waste Bin, draping end of Shred Bag over the lip of the Waste Bin.
6. Slide Waste Bin, with new Shred Bag installed, back into shredder.
7. Close Door.
8. Turn on shredder and continue shredding.

## **CARING FOR YOUR SHREDDER**

Clean covers with a clean dry cloth. Do not use water or solvents. Make sure you disconnect your shredder from its power source before cleaning.

Paper shredders, like all mechanical equipment, need proper maintenance to ensure efficient operation. Periodic lubrication of the cutting blades is important to offset the friction generated within the cutting head. Frequency of lubrication will vary depending on the shred size and the amount of usage. A strip-cut shredder receiving light use (1 – 2 hours per week) will require lubrication only once or twice a month, while the same machine used 1 – 2 hours per day will require lubrication weekly. A cross-cut shredder should be lubricated every 1/2 hour of shredding time to maintain maximum capacity and efficiency. The procedure for lubricating your shredder is simple, and can be performed by any operator. The oil is packaged in a squeeze bottle and is applied directly to the cutting blades through the feed opening (3). Run a fine stream of lubricant from one side of the feed opening to the other. Run the shredder in REVERSE for a few seconds to help distribute the lubricant evenly. You can now continue shredding as usual.

NOTE: SHREDDER WILL NOT OPERATE UNLESS DOOR IS COMPLETELY CLOSED

DAHLE Shredder Oil is the only lubricant you should use in your paper shredder. It has been specially formulated so as not to leave any residue that could attract dust and clog the shredding mechanism. You can order DAHLE Shredder Oil from your local dealer.

Repairs on your paper shredder should only be performed by qualified technicians. **If you need service**, contact your local dealer, or you can contact DAHLE North America Customer Service between 8:30 am and 5:00 pm EST at (800) 995-1379.

## **BEFORE YOU CALL FOR SERVICE**

<b>SYMPTOM</b>	<b>POSSIBLE CAUSES</b>	<b>SOLUTION</b>
No Power	1. Power buttons not pressed	Press buttons (green light turns on)
	2. Unit unplugged	Connect to outlet
	3. Outlet dead	Reset circuit breaker
	4. Door not fully closed	Close Door
	5. Shred Bag full	Change Shred Bag
Low capacity	1. Cutting blades dry	Lubricate cutting blades according to instructions.

ALWAYS TURN SHREDDER OFF IF IT WILL BE UNATTENDED FOR LONG PERIODS OF TIME



# **DAHLE SHREDDER SUPPLIES AND ACCESSORIES**

## **Shred Bags** *(100 per box)*

<b>Item No.</b>	<b>Models</b>
701	Personal & 20300 Series
704	20400, 20500 & 20600 Series
705	20800 Series
706	High Capacity Models

## **Waste Bin**

739	2039X Series
-----	--------------

## **Shredder Oil** *(All Models)*

740	Box of 4 16oz. Bottles
740G	Box of 4 1gal Bottles

## **Automatic Oiling System**

SAO-110	1.5 Liter Auto Oiler
SAO-120	4 Liter Auto Oiler

IF ANY OTHER PROBLEMS OCCUR. CALL YOUR AUTHORIZED DAHLE SERVICE DEALER



**Dahle North America, Inc.**

49 Vose Farm Road

Peterborough, New Hampshire 03458

Tel: (603) 924-0003 • Fax: (603) 924-1616

Email: [shredders@dahle.com](mailto:shredders@dahle.com)

[www.dahle.com](http://www.dahle.com)