

# ***DryLam 27" Professional Series Roll Laminator***

Instruction Manual



*Provided by*

**MyBinding.com**  
*When Image Matters.*

Call Us at 1-800-944-4573

## **Dry-Lam School & Office Laminators**



**27" (120V)**

# **Instruction Manual**

- 
- 
- Read all the safety and operating instructions before connecting or using this unit.
  - Retain this notice and the owner's manual for future reference.
  - Adhere to all warnings and operating instructions.
  - Do not use this unit near water (e.g. near a bathtub, etc.)
  - The wearing of ties or jewelry while operating a laminator may be hazardous to the operator.
  - Warning do not touch Hot Surfaces such as heat shoes and heat rollers.
  - Do not install optional slitter kit if Heatshoe is hot.
  - This unit should be installed so that its location or position does not interfere with its proper ventilation. For example, it should not be situated on a bed, sofa, rug or similar surface that may block the ventilation openings; or placed in a built-in installation, such as bookcase or cabinet or against the wall, that may impede the flow of air through its ventilation openings.
  - This unit should be situated away from heat sources such as radiators, heat registers, stoves, etc.
  - This unit should only be connected to a power supply outlet of the voltage, amperage and Frequency marked on its serial tag.
  - For 120 volt machines the socket outlet shall be installed near the equipment and be easily accessible.
  - For 240 volt machines a readily accessible disconnect device shall be incorporated in the building installation wiring.
  - The power supply cord should be routed so that it is not likely to be walked upon or pinched, especially near the plug, convenience receptacles, or where the cord exits from the unit.
  - Unplug the machine during any machine repairs.
  - Clean unit only as recommended in this instruction manual.
  - Make sure to remove the Feed Table before reversing the machine!
  - Care should be taken so that objects do not fall, and liquids are not spilled, into the enclosure through any openings.
  - Caution: The Cutter blade is extremely sharp. Please handle carefully and dispose of properly.
- 
- 

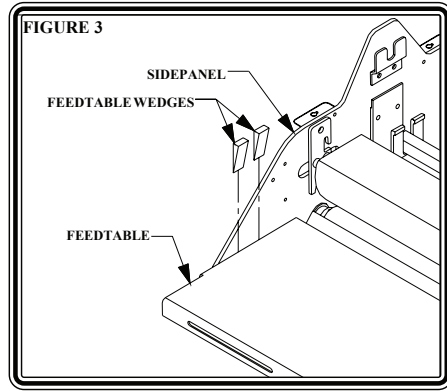
## **EQUIPMENT WARRANTY**

We warrant to the original purchaser the equipment manufactured by us to be free from defects in material and workmanship under normal use and service. Our obligation under this warranty shall be limited to the repair or exchange of any part or parts which may thus prove defective under normal use and service within one year from the date of shipment and which our examination shall disclose to our satisfaction to be thus defective. When necessary, purchaser shall properly pack and return the unit to the nearest Dry-Lam Service Center, freight and insurance prepaid. THIS WARRANTY IS EXPRESSLY IN LIEU OF ALL OTHER WARRANTIES EXPRESSED OR IMPLIED INCLUDING THE WARRANTIES OF THE MERCHANTABILITY AND FITNESS FOR USE AND OF ALL OTHER OBLIGATIONS OR LIABILITIES ON OUR PART, AND WE NEITHER ASSUME NOR AUTHORIZE ANY OTHER PERSON TO ASSUME FOR US, ANY OTHER LIABILITY IN CONNECTION WITH THE SALE OF THIS MACHINE OR ANY PART THEREOF WHICH HAS BEEN SUBJECT TO ACCIDENT, NEGLIGENCE, ALTERATION, ABUSE OR MISUSE. WE MAKE NO WARRANTY WHATSOEVER IN RESPECT TO ACCESSORIES OR PARTS NOT SUPPLIED BY US. THE TERM "ORIGINAL PURCHASER" AS USED IN THIS WARRANTY, SHALL BE DEEMED TO MEAN THE PERSON OR COMPANY WHO FIRST PUTS THE DRY-LAM EQUIPMENT INTO SERVICE. THIS WARRANTY SHALL APPLY ONLY WITHIN THE BOUNDARIES OF THE CONTINENTAL UNITED STATES.

### **SERVICE CENTER**

**NOTE:** When pressing the slitters through the laminating film, try cutting a slot in the film with a utility knife first.

5) Install feedtable on machine. On the same side of the feedtable, press both wedges in between the sidepanel and the feedtable. The wedges will keep the tray from moving and keep the alignment of the feed guide and slitters true. (See **Figure 3**)



## General Specifications:

	<b>27"</b> <i>Item 27STA(120V)</i>
Height	15"
Width	34"
Depth (with feed tray)	20"
Net weight 120V/240V	66 lbs.
Shipping weight	72 lbs.
Width of Lamination	27"
Electrical: (120V)	120V AC, 60 Hz, 1400w
Electrical: (240V)	

## Important Information

**Save Your Carton!** Dry-Lam ships laminators in special cartons which protect them from damage. Please store your cartons in case your laminator should ever require servicing.

**Remove the laminator** from its box by grasping the housings and pulling up. Do not use rollers or shafts as handles- this could cause damage.

**The power supply cord** should be unplugged from the wall outlet when it is to be unused for a long period of time.

This manual is provided as an **Operator's Manual** and covers most situations you will encounter while using your laminator. It is not a Technical Service manual. For technical assistance beyond what this manual provides, contact Dry-Lam, at the Service Center below.

**Dry-Lam is a product line of  
Dry-Lam**

10908 Strang Line Road  
Lenexa, KS 66215  
Phone (888) 633-1973

## Appendix C

### Installing the Slitter Kit

A slitter kit ,(item #202005 25" kit),(item # 202000 27" kit) may be obtained from an Authorized Dry-Lam Reseller.

Before installation, please check contents of your kit.

Unplug the laminator prior to installation.

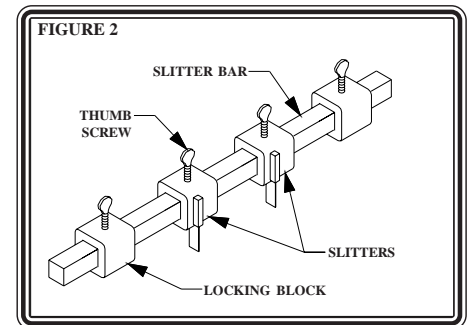
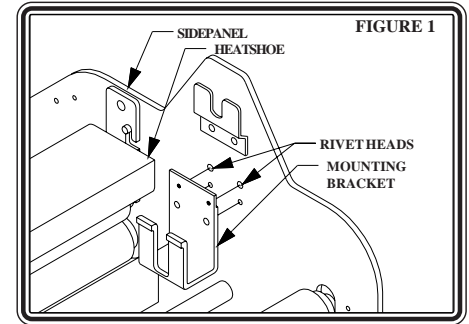
**Caution: Do not install kit if Heatshoe is hot!**

1) Molded on the back of the Mounting Bracket are two pins. These pins fit into the rivet heads. (See Figure 1) Hold the Mounting Bracket in place with the pins in the rivet heads. Mounting bracket holes will be lined up with the sidepanel holes. Secure with screws provided. Repeat on other side.

2) Take the thumb screws and screw one into each of the slitter bar locking blocks and slitter assemblies. Do not tighten the thumb screws - only start them at this point.

3) Take the slitter bar and slide on one locking block, both slitters, and then the other locking block. Be sure the thumb screws are all on top, and both slitter edges are facing the front of the laminator. (See Figure 2) Adjust slitters to cut where you wish and tighten the thumb screws. Remove protective coating from slitter blades.

4) Drop slitter into the mounting brackets and press slitters through laminating film. Once slitter bar is in place, slide each locking block out until it contacts the mounting brackets, tighten the thumb screws.



**Shut the machine off!** Dry-Lam Laminators have set screws at both ends of each laminating and pull roller. Loosen all four set screws on the pull rollers. Cut the plastic between the laminating and pull rollers, grab the loose end and pull. The rollers will rotate freely on the roll shafts and the “wrap-around” will easily unwrap. Tighten all the set screws and rethread the film.

## Appendix A

### Replacing the hand held Cutter Blades.

If additional cutters (item #907002) or cutter blades (item #707002) are needed, they may be obtained from Dry-Lam.

The hand held cutter blade can be replaced by removing the small screw (item #600781) on the back of the cutter, then removing the cutter back (item #707003). **Caution: The cutter blade is extremely sharp. Please handle carefully and dispose of properly.** Remove and discard the old blade. Re-install cutter back and screw. **Caution: Do not over tighten screw.**



## Appendix B

### Footswitch Installation

A footswitch (item #802054) may be obtained from Dry-Lam or an Authorized Dry-Lam Reseller.

Plug the footswitch into the plug on the rear of the machine. Motor operation is now started and stopped by depressing the footswitch.

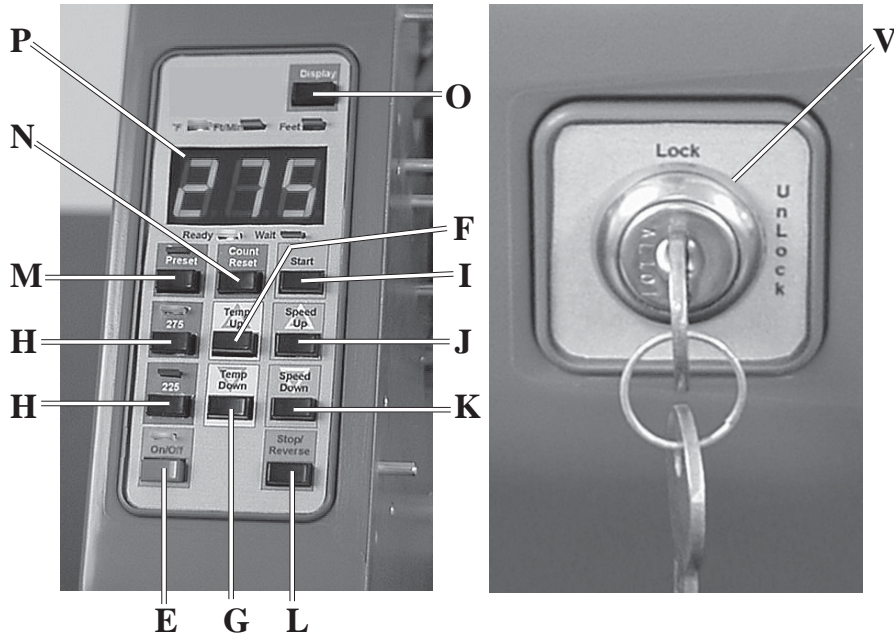


# Dry-Lam Laminator Instruction Manual

## Section Index

General Diagrams.....	1,2
I. Unpacking.....	3
II. Information About Laminating Film.....	3
III. Operating	
A. Control Panel.....	3
B. Loading Film: 1" Mandrel.....	5
C. Threading Film.....	14
D. Laminating.....	15
E. Supply Roll Tension Adjustment.....	15
IV. Options	
A. Footswitch.....	16
B. Slitter Kit.....	16
V. Maintaining the Dry-Lam Laminator	
A. Care and Cleaning.....	17
B. Specific Troubleshooting Guide.....	18
C. Removing a Wrap Around.....	18
Appendix A	
Replacing the Hand Held Cutter Blades.....	19
Appendix B	
Footswitch Installation.....	19
Appendix C	
Installing the Slitter Kit.....	20
Wiring Diagrams.....	6,7,8
Exploded Diagram.....	9,10
Parts Lists.....	11,12,13

Dry-Lam Laminators, with variable speed and reverse are reliable, easy-to-use professional laminators designed to laminate a variety of materials using up to 25", or 27" laminating film. All models are capable of lamination from 1 to 9 feet per minute and can be reversed by the push of a button.



Tension Adjusting Knobs (A) are conveniently located on the Supply Mandrels (B) on the right side panel for easy access. A Control Panel (C) is located on the Left Housing (D), and is equipped with a Power Button (E) to turn the machine on, Temperature Up (F) and Temperature Down (G) buttons, two Preset buttons (H), a Motor Start button (I) to start the motor turning, Speed Up (J) and Speed Down (K) buttons to adjust the speed as necessary, a Motor Stop/Reverse button (L), a User Preset button (M) to save your own settings, and a Count Reset button (N) which resets the usage counter. The Display button (O) toggles the Display (P) between 3 settings. The Feedtray (Q) and Feed Guide (R) provide a smooth, durable paper path and the Heat Guard (S) protects hands from hot surfaces inside. Teflon coated Heat Shoes (T) minimize friction. The Cutter (U) cuts and trims your laminated documents and the Keyswitch (V) prevents unauthorized usage.

## B. Specific Troubleshooting Guide

	INCREASE HEAT	DECREASE HEAT	WORN, DIRTY, OR DAMAGED ROLLERS	INCREASE TENSION ON SUPPLY ROLLS	DIRTY HEAT SHOES	MOIST OR COATED PRODUCT	DECREASE TENSION ON SUPPLY ROLLS	REDUCE SPEED	CHECK THREADING DIAGRAM
Wrinkles on film (side to side)	●	●	●						
Wrinkles on film (lengthwise)	●			●		●			
Plastic not bonding	●						●		
Bubbles or Blisters		●	●		●				
Impressions on product			●						
Squeaking sounds						●		●	
Film narrowing on shoes				●		●		●	
Film wrinkling on shoes	●			●					
Continuous blemish			●		●				
Cloudy film	●								
"Orange Peel" finish		●							
Film sticks to rollers			●						●
Film sticks to shoes					●				●
Film won't stay aligned									●
No seal on edges	●			●			●		
Poor seal - one side only					●				

## C. Removing a "Wrap-Around"

A "wrap-around" occurs if the film exiting the rear rollers curls around one of them causing the laminate to wind around the roller.

If the wrap-around is not severe, simply use the reverse feature and back the film out. **Make sure to remove the Feed Table before reversing the machine!**

For extreme wrap-arounds (i.e. when plastic and/or product have wrapped around the rubber rollers several times) follow this procedure:



---

---

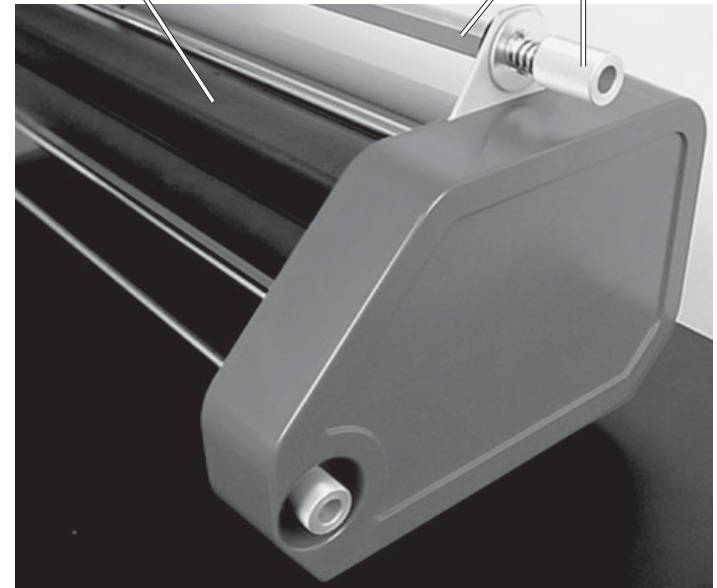
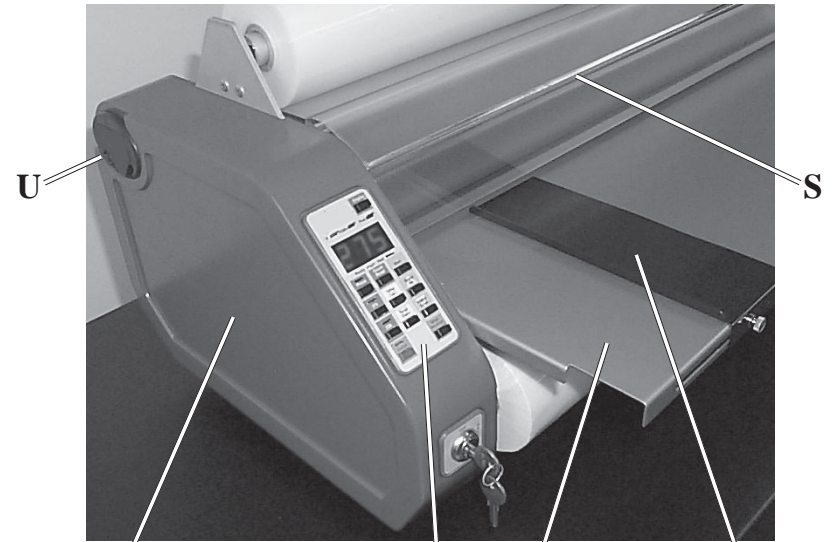
## V. Maintaining the Dry-Lam Laminator

### A. Care and Cleaning

In the normal course of operating the Dry-Lam Laminator, dirt and adhesive will accumulate on the heat shoes and rubber rollers (Laminating produces static electricity which attracts airborne dust and dirt). Regular inspection and cleaning will assure that this does not become a problem.

**Never** use hard, sharp, or abrasive items to clean the heat shoes. The shoes are coated with a non-stick surface that could easily be damaged. Likewise, do not use sharp metallic objects or steel wool to clean the rubber rollers. Any scratches, indentations, or marks left on the rollers will appear on the laminated product.

To clean the shoes and rollers, use Roller Cleaner and a clean, lint-free cloth. If a cleaning kit is not readily available, rubbing (Isopropyl) alcohol will do an adequate job.





---

---

## I. Unpacking

Remove the laminator from its box by grasping the housings and pulling up. Do not use rollers or shafts as handles- this could cause damage. Choose a location for the laminator that is clean, well-lighted and draft free. Make sure it is not in the path of any fans, room air conditioners, or positioned too close to the wall. The laminator comes fully assembled. All you have to do is load the film onto the supply mandrels, thread the film through the machine, and install the feedtable.

## II. Information About Laminating Film

Laminating film is made up of two layers: a glossy layer which gives the lamination its strength, clarity and rigidity, and a dull or matte side which is heat activated and serves as the “glue” to bond the film to the product being laminated. Once heated, small amounts of the “glue” side can stick to the heat shoes and rollers and must be periodically cleaned from the laminator.

Laminating film is available in a variety of different lengths, widths and thicknesses. The Dry-Lam Laminator is designed to use 1.5 mil (#150), and 3 mil (#300), thick films.

## III. Operating

### A. Control Panel

The control panel is located on the left side of the laminator. This panel is used to control the various machine functions listed below.

#### Display (O,P)

The display of the Laminator will show the 3 different parameters of the machine; temperature, speed, and usage counter. The default display mode is usage counter. If the machine is not yet up to temperature, the machine will display the set point temperature. When the machine reaches the set point temperature, the usage counter will be displayed. If the speed is adjusted, the machine will momentarily display the speed and then quickly return to usage counter mode. The "Display" button allows you to toggle between any of the 3 settings for the display.

#### Power (E)

The "On/Off" button turns the machine on.

#### Heat (F,G)

The temperature controls are the "Temp Up" and "Temp Down" buttons (yellow blocks). These buttons are used to adjust the temperature currently displayed. The temperature displayed is the

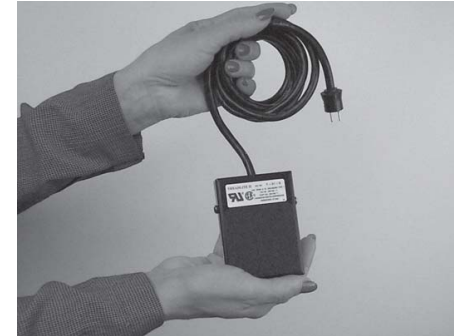
**Note:** As the diameter of the film roll decreases, tension should be reduced.

To increase tension, turn the adjusting knob clockwise. To decrease tension, turn the knob counterclockwise. If the tension is not equal top and bottom, the laminated product will curl. If the material curls **up** as it comes out of the machine, the top roll is probably tighter than the bottom. If it curls **down**, the bottom roll is probably tighter.

**Note:** Make sure the black disks are flat against the sidepanel. They should be rotating, both top and bottom, while film is feeding.

## IV. Options

**A. Footswitch:** For hands free operation, the footswitch plugs easily into the rear of the machine. (For installation of the footswitch see Appendix B)



**B. Slitter Kit:** The In-line slitter allows document trimming during operation. (item #202005 25" kit), (item #202000 27" kit). (For installation of the slitter kit see Appendix C)



---

## D. Laminating

After the machine is loaded with film (see B. Loading Film: 1" Mandrel) and threaded (see C. Threading the Film), it is ready to laminate. Ensure that the laminator has reached the preset temperature. This will be indicated by the ready light being illuminated. Place document on the feedtable and align with the feedguide to assure straight and even lamination. Start the motor with the "Start" button and adjust the speed as necessary. If necessary, adjust the supply roll tension (see E. Supply Roll Tension Adjustment). With both hands, guide the document into the throat of the laminator. While the document is pulled into the laminating rollers, keep document flat on the feedtable while applying a slight back pressure. As the document exits the rear rollers, allow 3" to 6" of film to clear the rollers at the end of your document and turn the motor switch to stop. Using the hand held cutter, hold tension on the laminated document and slice through the film to release the document. Multiple documents can be run successively if desired and cut at a later time.



## E. Supply Roll Tension Adjustment (A)

Top and bottom supply rolls should have about the same tension. By turning the top roll with one hand, and the bottom roll with the other hand, it can be determined if one of the rolls is tighter than the other.

**Note:** Too much tension can destroy film, documents, and damage the machine.

Adjust the tension to the minimum amount required. Do this by loosening the tension knobs until there is no tension on the film. With the machine threaded and at operating temperature, turn the motor switch to forward and adjust the speed to the desired operating speed. Tighten the adjusting knobs only until the wrinkles in the film as it crosses the heatshoe are removed.



---

temperature set point. This is the temperature that the machine will reach and hold. The temperature can be increased or decreased in 1° increments by pressing and releasing the up or down button. To rapidly increase or decrease the temperature, press and hold the button. When the machine reaches the set point temperature, the Ready light (green) will illuminate, and a two second beep will sound. If a significant change in the set point temperature occurs, the Wait light (red) illuminates until the laminator reaches the new set point temperature. At this time the Ready light will illuminate again. Note: depending on room conditions and desired set point, it will take between 20 and 30 minutes for the ready indicator to come on.

## Standard Presets (H)

The Laminator is equipped with 2 factory presets. The buttons are labeled 275 and 225. These buttons will set both a speed and temperature that being (275°F and 3 Feet per minute) and (225°F and 3 feet per minute). If one of the presets is engaged, it's corresponding LED will be illuminated.

## Motor (I,J,K,L)

The motor controls are the 4 buttons on the right side of the control panel. The "Start" button will start the motor which will run at the current speed setting. The "Speed Up" and "Speed Down" buttons will adjust the speed setting. Pressing and releasing the button once will increment the speed by 0.1 ft/min (0.1 meters/min). To rapidly increase or decrease the speed, press and hold the corresponding button. To stop the motor, press and release the "Stop/Reverse" button. To reverse the machine, press and hold the "Stop/Reverse" button. The motor will remain in reverse as long as the button is depressed.

## User Preset (M)

The Laminator is equipped with a user defined "Preset" button. This button can be used to save a speed and temperature setting that you have defined. With the machine's speed and temperature set to your preferred settings, press and hold the "Preset" button until the beeper sounds and the preset light comes on. To recall this setting at a later time, press and release the "Preset" button.

## Usage Counter (N)

The Laminator is equipped with a usage counter that will indicate the feet (meters) of film used. This counter will appear on the display whenever the feet indicator light is on. This counter can be reset to zero by pressing the "Count Reset" button once the display is showing the usage counter.

## Additional Features

### Keyswitch

The keyswitch (located just below the control panel) locks out the motor, allowing the machine to remain heated; yet, preventing unauthorized usage when in the locked position.

---

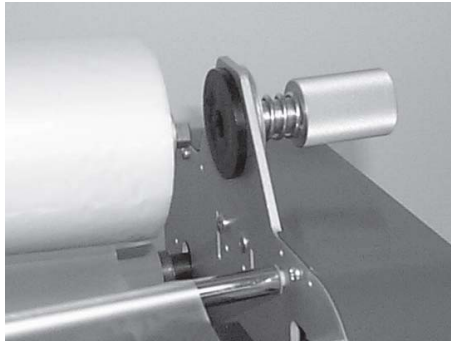
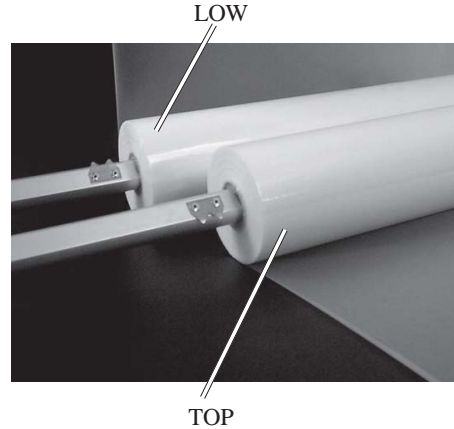
### Cooling Fans (Not Shown)

The machine may be equipped with cooling fans (fans are standard on 240V machines). These can be operated by turning the keyswitch to the "unlock w/fans" position. The fans provide additional cooling necessary for thicker films.

### B. Loading Film: 1" Mandrel (B)

Unpack the upper and lower supply mandrels. The upper and lower mandrels are different. The word "TOP" is stamped on the shaft of the upper mandrel and the word "LOW" is stamped on the shaft of the lower mandrel. The ends of each mandrel are also different. The "hanger" end fits in the bracket on the left side of the laminator. The "slot end" fits into the tensioner on the right side.

Slide the film roll onto the mandrel by rotating the mandrel in the opposite direction of the gripper points, leaving equal lengths of mandrel sticking out of each end. The film roll will slide over the gripper, which will keep the roll from turning on the shaft.

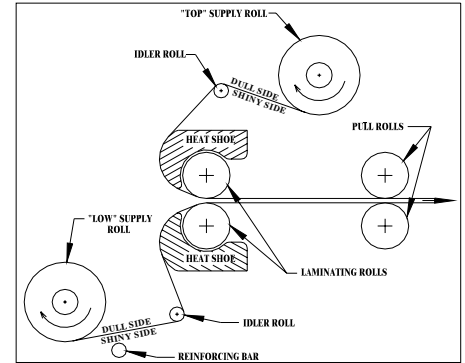


Load the mandrel on the laminator by inserting the slot end of the mandrel into the tensioner on the right side and then lowering the hanger end into the bracket on the left side.

### C. Threading the Film

Remove the feed tray and the heatguard. Thread the film as shown in the figure on the right. Pull the film around the idler rollers as shown. **Do not mistake the reinforcing bar for the idler roller.** Make sure the glossy and dull sides of the film are as indicated in the diagram. Position the threading board provided.

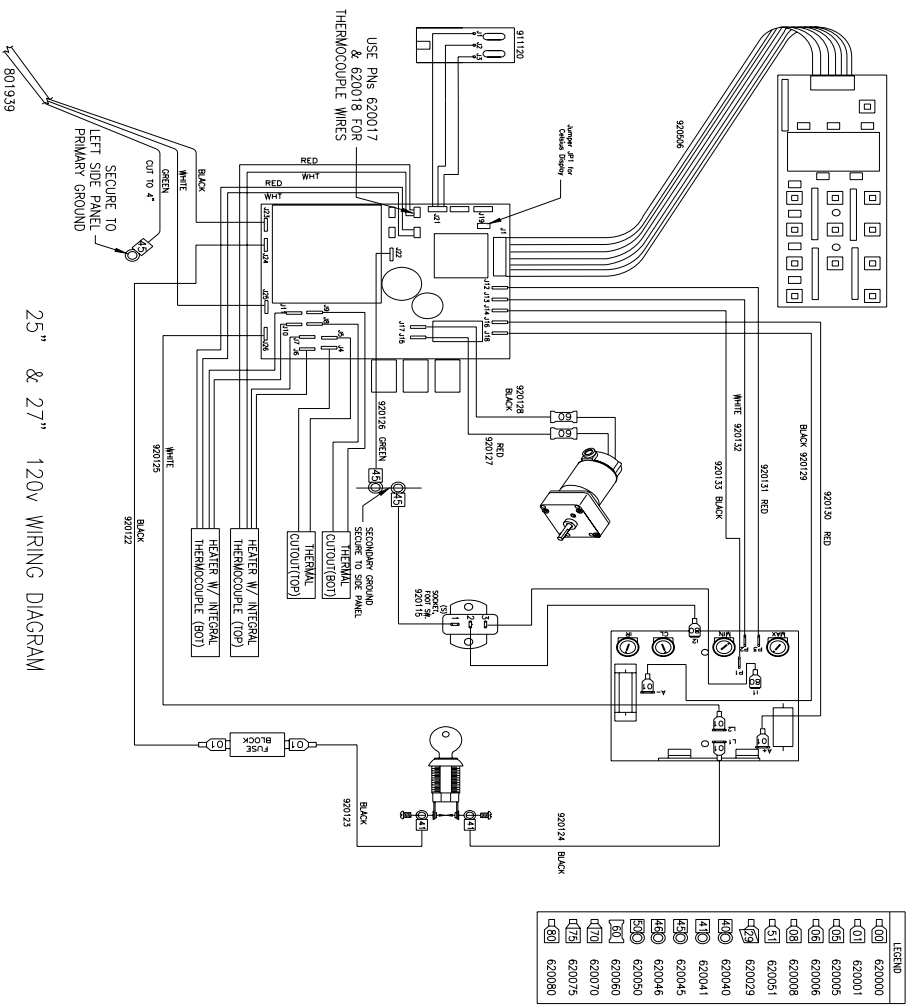
Turn power and keyswitch to on.



Start the motor by pressing the "Start" button, and reduce the speed to 1 foot/min. Feed the threading board and film in between the heat shoes. This will pull the film through the laminating and pull rollers until it comes out the back of the laminator.



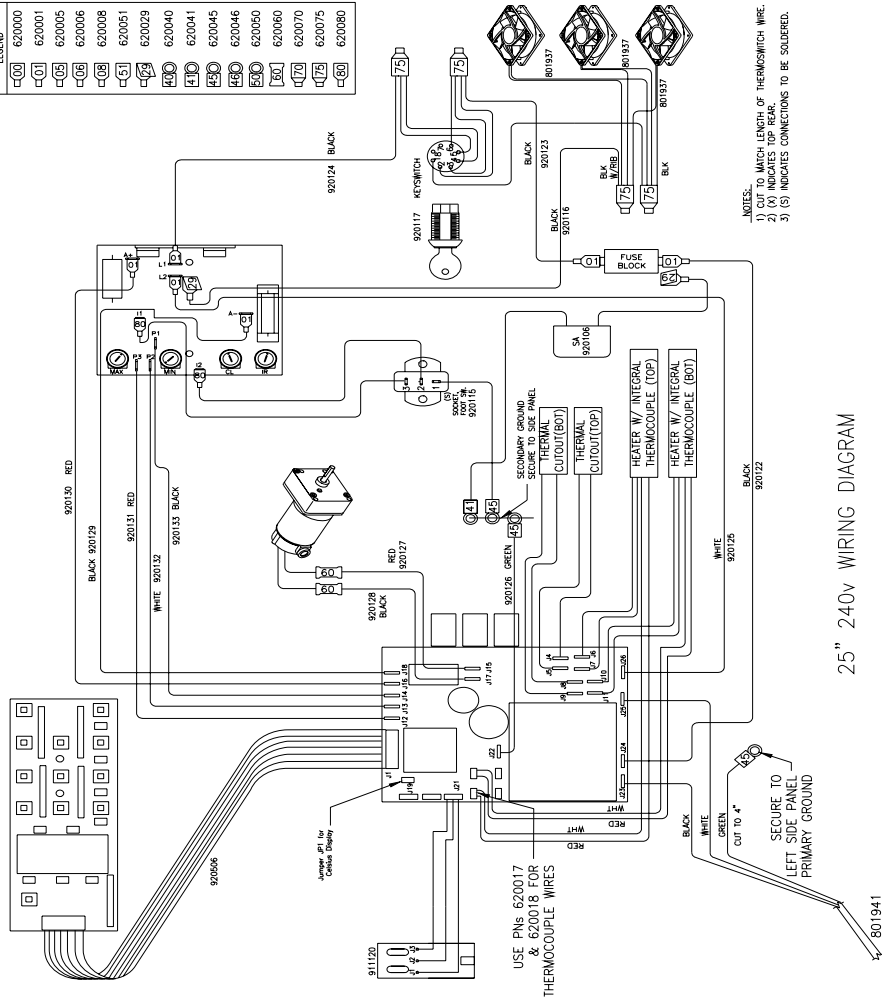
Slide the top and bottom film rolls from side to side on the mandrels so that the film is perfectly aligned top and bottom (Note: overlap will cause the film to deposit residue on the heat shoes and rollers, so this procedure is critical). Replace feed tray and heat guard.



25" & 27" 120V WIRING DIAGRAM

LEGEND	
⊖	620000
⊖1	620001
⊖2	620005
⊖3	620006
⊖4	620008
⊖5	620051
⊖6	620029
⊖7	620040
⊖8	620041
⊖9	620045
⊖10	620046
⊖11	620050
⊖12	620060
⊖13	620070
⊖14	620075
⊖15	620080

LEGEND	
01	620000
01	620001
05	620005
06	620006
08	620008
51	620051
02	620023
04	620040
10	620041
15	620045
20	620046
50	620050
70	620060
17	620070
17	620075
61	620080



## Dry-Lam 25STA

1	707449	Feed Table, 25" AV	65	600711	Screw, 10-32X1.5 SHC
2	601345	Screw #8-32 x 1/2"	66	707062	Idler Roll Dowels
3	707284	Left Feed Guide, Black Powder	67	604815	Washer, #8 Ext Star Lock
4	603340	Nut, 8-32 Tinnerman	68	601115	Screw, 8-32x1/4 Pan Head
5	707941	Heat Guard 25", MK2	69	802155	Pressure Spring
6	707239	25" Pull Roll Gray	70	707211	Pressure Adjust Screw
7	707441	Upper Roll Shaft 25" AV	71	605021	Washer, Zinc, .203X.625X.016
8	707227	Rubber Roller, 25"	72	708147	Clip, Bushing, Retainer
9	707442	Lower Roll Shaft 25" AV	73	610026	Spacer 1/4 x 1.032 Steel
10	707998	Display Lens, MK2G2			
11	707852	Bracket Block, MK2	907002		Hand Held Slitter, Drylam
12	707851	Switch Mntg Bracket, MK2	74	707001	Hand Held Slitter Housing
13	707944	Keyswitch Bracket, MK2	75	707002	Slitter Hook Blade
14	707582	Left Housing, Gray, Drylam G2	76	707003	Slitter Blade Cover
15	707583	Right Housing, Gray, Drylam G2	77	600781	Screw, 2-56x3/16" Self Tapping
16	611077	6-19 x 5/8 Plastite 48-2 Thread	78	707004	Slitter Magnet, Pressure Sens.
17	801923	Motor Control KBIC-11 PMCL			
18	611020	Screw, 6-32X3/8" W/Patch Phil	907213		Pressure Adjust Plate SA MK2
19	601112	6-32X1/2 RH, Nylon Slotted	79	707939	Pressure & Heat Shoe Bracket
20	801988	Fuseholder, Molded Base	80	654095	Bushing, Upper Roll AV
21	802445	Fuse, 1A/250V Slo Blo			
22	611027	Screw, 6-32 X 5/16 Phil Pan Hd	927727		Upper Heat Shoe Stat 25" 120v MK2G2
23	920115	Wire Ass'y, 6", Footswitch	81	707655	Upper Heat Shoe 25" AV NR
24	801939	Power Cords 16-3 Miller #E9006	82	600290	Screw, 8-32 X 3/16, Set
25	802102	Motor V01925AD83 90V DC	83	802071	Heater, 650W, 25", 120v
26	908011	Chain	84	920500	Thermal Cutout, MK2 SA
27	801207	Sprocket 25B19 1/2 10-32 AV			
28	801206	Sprocket 25B20 1/2, 10-32 AV	927717		Low Heat Shoe Stat 25" 120v MK2G2
29	801205	Sprocket 25B23 1/2, 10-32 AV	83	802071	Heater, 650W, 25", 120v
30	600350	Screw, 10-32 X 3/8 Set	84	920500	Thermal Cutout, MK2 SA
31	707399	Tension Knob, AV-OEM	85	707660	Lower Heat Shoe 25" AV NR
32	802160	Compress Spring LC-098K-00-M/W			
33	707406	Friction Plate AV-OEM	907580		Left Side Panel SA, MK2G2
34	707405	Leather Washer, 1" AV-OEM	86	707920	Left Side Panel, MK2
35	707415	Friction Stud Molded - OEM	87	707231	Upper & Lower Left Supply
36	707992	Triac Tiedown, MK2G2	88	604030	Roll Pin, 1/8X1/2, Zinc Plate
37	911120	G1, Sensor Board, MK2G1	89	654090	Bushing - Lower Roll AV Delrin
38	911112	G2, Main Board, MK2G2	90	707229	Pressure Adjust Bracket - AV
39	911125	G2, Display Board, MK2G2	91	604475	Rivet SD66BS "POP" Brand
40	610421	Black Button Cap, MK2G2	92	707234	Base Channel
41	610422	Red Button Cap, MK2G2	93	604465	Rivet SD64BS "POP" Brand
42	604960	Nylon Washer .163X.377X.050 Thk	94	801977	Rubber Feet 2580
43	601100	Screw, 6-32X1/4 Pan Head	95	600055	Screw, 10-32 x 5/8 SHC
44	707988	G2, Display Label, Drylam, Feet	96	620430	Wire Bushing SB625-500
45	707309	Counter Label, MK2G2			
46	707922	Keyswitch Label, MK2G2	907579		Right Side Panel SA, MK2G2
47	610031	Spacer 1/4 OD x .171 ID x .125	89	654090	Bushing - Lower Roll AV Delrin
48	601110	6-32x 1/2 RH, Nylon Slotted	90	707229	Pressure Adjust Bracket - AV
49	690917	Keyswitch	91	604475	Rivet SD66BS "POP" Brand
50	600966	Screw, 1/4X1.25, Shoulder, 10-32	92	707234	Base Channel
51	707979	25" Threaded Rod, Motor Housing	93	604465	Rivet SD64BS "POP" Brand
52	620112	Strain Relief, Heyco 3213/3	94	801977	Rubber Feet 2580
53	603326	Nut, 10-24 HEX, w/Nylon Insert	95	600055	Screw, 10-32 x 5/8 SHC
54	707924	25" Motor Housing, MK2	96	620430	Wire Bushing SB625-500
55	600080	Screw, 10-32 X 1 1/4 SHC	97	707921	Right Side Panel, MK2
56	601090	Screw, 6-32X3/16 Pan Head			
57	707453	Lower Idler Roll 25" AV	907409L		Lower Supply Roll SA 1"-25"
58	603356	Nut, 1/4-20 Hex w/Nylon Insert	907409U		Upper Supply Roll SA 1"-25"
59	610040	Spacer 1/4X3/4	98	604400	Rivet GSMD42S
60	707973	25" Reinforcing Tube	99	707685	1" Supply Roll Plug - ARL, Seal
61	707976	25" Reinforcing Threaded Rod	100	707690	1" Supply Roll "D" Plug, ARL
62	604955	Washer .265X.500X.015 Thk	101	707705	1" Supply Roll Tubing, 25" OEM
63	604840	Washer, 1/4 Split Lock	102	707710	Torsion Spring 1" Extrusion
64	600680	Screw, 10-32X1/2 Button Head			

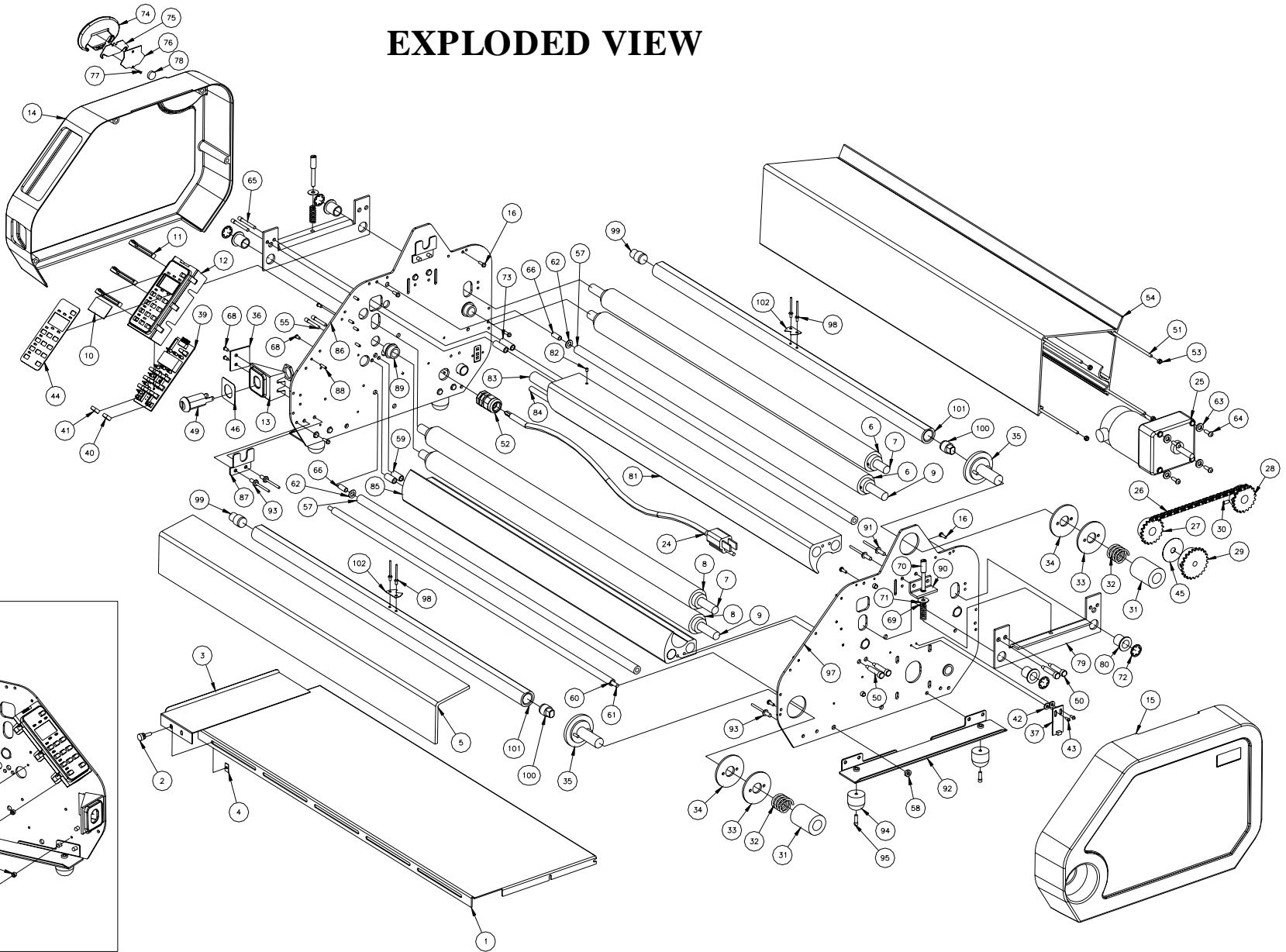
## Dry-Lam

27STA

1	707905	Feed Table, ARL, 27"	65	600711	Screw, 10-32X1.5 SHC
2	601345	Screw #8-32 x 1/2"	66	707062	Idler Roll Dowels
3	707284	Left Feed Guide, Black Powder	67	604815	Washer, #8 Ext Star Lock
4	603340	Nut, 8-32 Tinnerman	68	601115	Screw, 8-32x1/4 Pan Head
5	707942	Heat Guard 27", MK2	69	802155	Pressure Spring
6	650802	27" Pull Roll Gray	70	707211	Pressure Adjust Screw
7	707901	Upper Roll Shaft ARL-27"	71	605021	Washer, Zinc, .203X.625X.016
8	650801	ARL 27" Rubber Roll	72	708147	Clip, Bushing, Retaining
9	707902	Lower Roll Shaft ARL-27"	73	610026	Spacer 1/4 x 1.032 Steel
10	707998	Display Lens, MK2G2			
11	707852	Bracket Block, MK2	907002		Hand Held Slitter Assembly
12	707851	Switch Mntg Bracket, MK2	74	707001	Hand Held Slitter Housing
13	707944	Keyswitch Bracket, MK2	75	707002	Slitter Hook Blade
14	707582	Left Housing, Grey, Drylam G2	76	707003	Slitter Blade Cover
15	707583	Right Housing, Grey, Drylam G2	77	600781	Screw, 2-56x3/16" Self Tapping
16	611077	6-19 x 5/8 Plastite 48-2 Thread	78	707004	Slitter Magnet, Pressure Sens.
17	801923	Motor Control KBIC-11 PMCL			
18	611020	Screw, 6-32X3/8" W/Patch Phil	907213		Pressure Adjust Plate SA MK2
19	601112	6-32X1/2 RH, Nylon Slotted	79	707939	Pressure & Heat Shoe Bracket
20	801988	Fuseholder, Molded Base	80	654095	Bushing, Upper Roll AV
21	802445	Fuse, 1A/250V Slo Blo	927729		Upper Heat Shoe Stat 27" 120v MK2G2
22	611027	Screw, 6-32 X 5/16 Phil Pan Hd	81	707661	Upper Heat Shoe ARL 27"
23	920115	Wire Ass'y, 6", Footswitch	82	600290	Screw, 8-32 X 3/16, Set
24	801939	Power Cords 16-3 Miller #E9006	83	802072	Heater,650W, 27", 120v
25	802102	Motor V01925AD83 90V DC	84	920500	Thermal Cutout, MK2 SA
26	908011	Chain	85	707663	Lower Heat Shoe ARL 27"
27	801207	Sprocket 25B19 1/2 10-32 AV	927719		Low Heat Shoe Stat 27" 120v MK2G2
28	801206	Sprocket 25B20 1/2, 10-32 AV	83	802072	Heater, 650W, 27", 120v
29	801205	Sprocket 25B23 1/2, 10-32 AV	84	920500	Thermal Cutout, MK2 SA
30	600350	Screw, 10-32 X 3/8 Set	85	707663	Lower Heat Shoe ARL 27"
31	707399	Tension Knob, AV-OEM			
32	802160	Compress Spring LC-098K-00-M/W	907580		Left Side Panel SA, MK2G2
33	707406	Friction Plate AV-OEM	86	707920	Left Side Panel, MK2
34	707405	Leather Washer, 1" AV-OEM	87	707231	Upper & Lower Left Supply
35	707415	Friction Stud Molded - OEM	88	604030	Roll Pin, 1/8X1/2 , Zinc Plate
36	707985	Electrical Insulator	89	654090	Bushing - Lower Roll AV Delrin
37	911120	G1, Sensor Board, MK2G1	90	707229	Pressure Adjust Bracket - AV
38	911112	G2, Main Board, Mk2G2	91	604475	Rivet SD66BS "POP" Brand
39	911125	G2, Display Board, MK2G2	92	707234	Base Channel
40	610421	Black Button Cap, MK2G2	93	604465	Rivet SD64BS "POP" Brand
41	610422	Red Button Cap, MK2G2	94	801977	Rubber Feet 2580
42	604960	Nylon Washer .163X.377X.050 Thk	95	600055	Screw, 10-32 x 5/8 SHC
43	601100	Screw, 6-32X1/4 Pan Head	96	620430	Wire Bushing SB625-500
44	707988	G2, Display, Drylam, Feet			
45	707309	Counter Label, MK2G2	907579		Right Side Panel SA, MK2G2
46	707947	G1, Switch Label, MK2G1	89	654090	Bushing - Lower Roll AV Delrin
47	610031	Spacer 1/4 OD x .171 ID x .125	90	707229	Pressure Adjust Bracket - AV
48	601110	6-32x 1/2 RH, Nylon Slotted	91	604475	Rivet SD66BS "POP" Brand
49	690917	Keyswitch	92	707234	Base Channel
50	600966	Screw, 1/4X1.25, Shoulder, 10-32	93	604465	Rivet SD64BS "POP" Brand
51	707980	27" Threaded Rod, Motor Housing	94	801977	Rubber Feet 2580
52	620112	Strain Relief, Heyco 3213/3	95	600055	Screw, 10-32 x 5/8 SHC
53	603326	Nut, 10-24 HEX, w/Nylon Insert	96	620430	Wire Bushing SB625-500
54	707925	27" Motor Housing, MK2	97	707921	Right Side Panel, MK2
55	600080	Screw, 10-32 X 1 1/4 SHC			
56	601090	Screw, 6-32X3/16 Pan Head	907411L		Lower Supply Roll SA 1"-27"
57	707907	Lower Idler Roll/ARL-27"	907411U		Upper Supply Roll SA 1"-27"
58	603356	Nut, 1/4-20 Hex w/Nylon Insert	98	604400	Rivet GMSD42S
59	610040	Spacer 1/4X3/4	99	707685	1" Supply Roll Plug - ARL, Seal
60	707974	27" Reinforcing Tube	100	707690	1" Supply Roll "D" Plug, ARL
61	707977	27" Reinforcing Threaded Rod	101	707706	1" Supply Roll Tubing ARL 27"
62	604955	Washer .265X.500X.015 Thk	102	707710	Torsion Spring 1" Extrusion
63	604840	Washer, 1/4 Split Lock			
64	600680	Screw, 10-32X1/2 Button Head			

# Notes

# EXPLODED VIEW



## LEFT SIDE PANEL ELECTRONICS

