

Keencut SteelTrak 65'' Vertical Substrate Cutter - ST165

Instruction Manual



Provided by

MyBinding.com

When Image Matters.

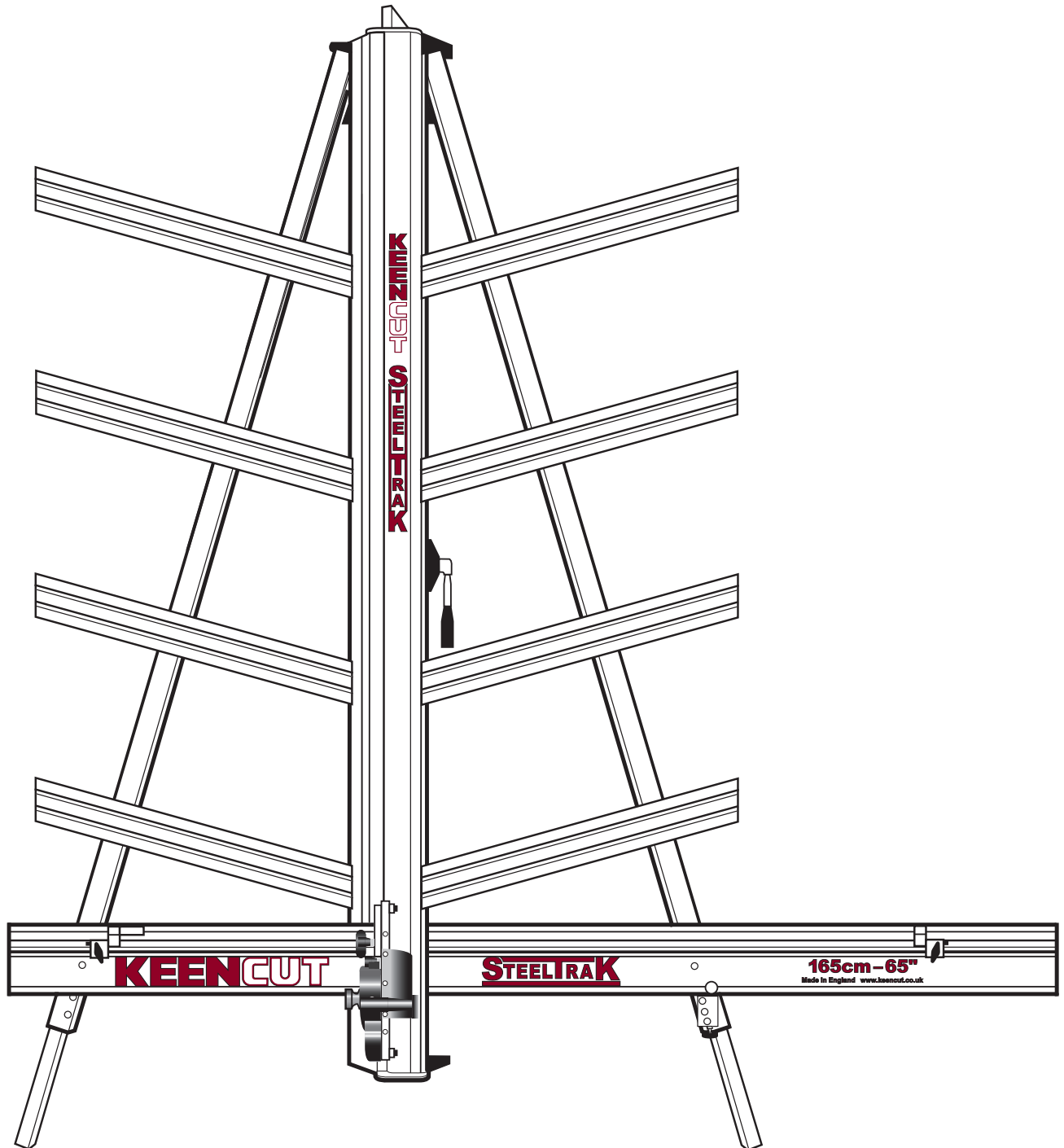
Call Us at 1-800-944-4573

KEENCUT

STEELTRAK

165
210

® INSTRUCTION MANUAL



Single language version and parts diagrams can be downloaded from www.keencut.co.uk

2 Packing list

- 2.1 Unpacking your machine

3 Assembly

- 3.1 Preparing the Legs
- 3.2 Preparing to fit the Squaring arm
- 3.3 Fitting the Squaring arm
- 3.4 Fitting the Pull Bar (210 only)
- 3.5 Fitting the Wall mounting bracket
- 3.6 Fitting the Free standing kit (165 only)
- 3.7 Fitting the Free standing kit (210 only)
- 3.8 Fitting the Back panels
- 3.9 Fitting the Handle

4 Squaring

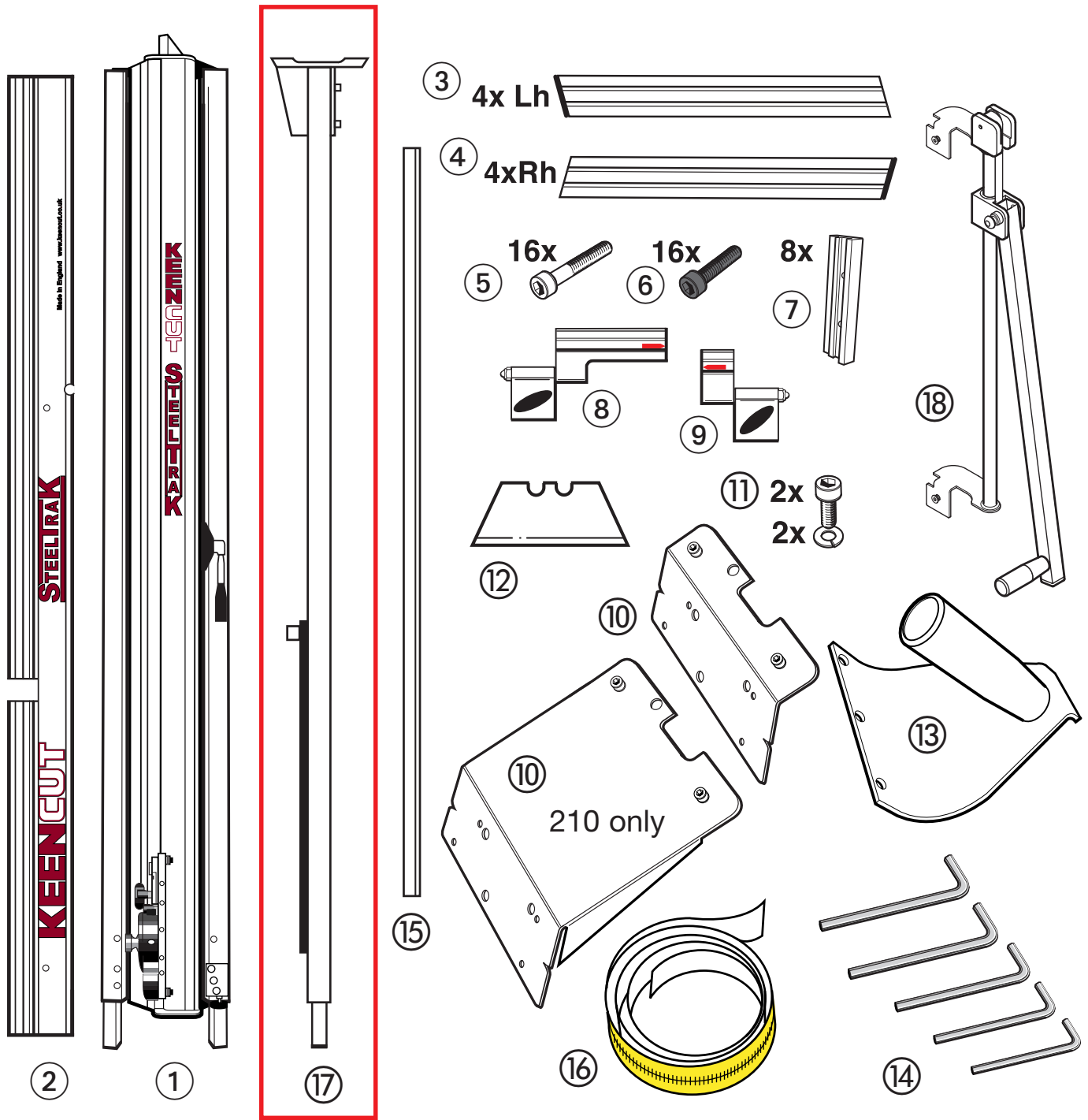
- 4.1 Checking your machine for squareness
- 4.2 Adjusting the squareness

5 Calibration

- 5.1 Calibrating the Vertical square
- 5.2 Calibrating the Squaring arm scale
- 5.3 Fitting the Sight-line strip

6 Operation

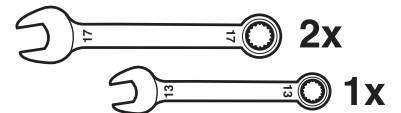
- 6.1 Using the Clamp
- 6.2 The Cutting Head in General
 - 6.2.1 The Cutting Head in General
 - 6.2.2 How to use the Pull Bar System
- 6.3 The Cutting Blade
 - 6.3.1 The Cutting Blade
 - 6.3.2 Changing the Cutting Blade
- 6.4 The Scoring Blade
- 6.5 Glass Cutting (Optional)
- 6.6 The Twin Wheel (TW) Cutter
 - 6.6.1 Changing the Twin Wheel (TW) Cutter



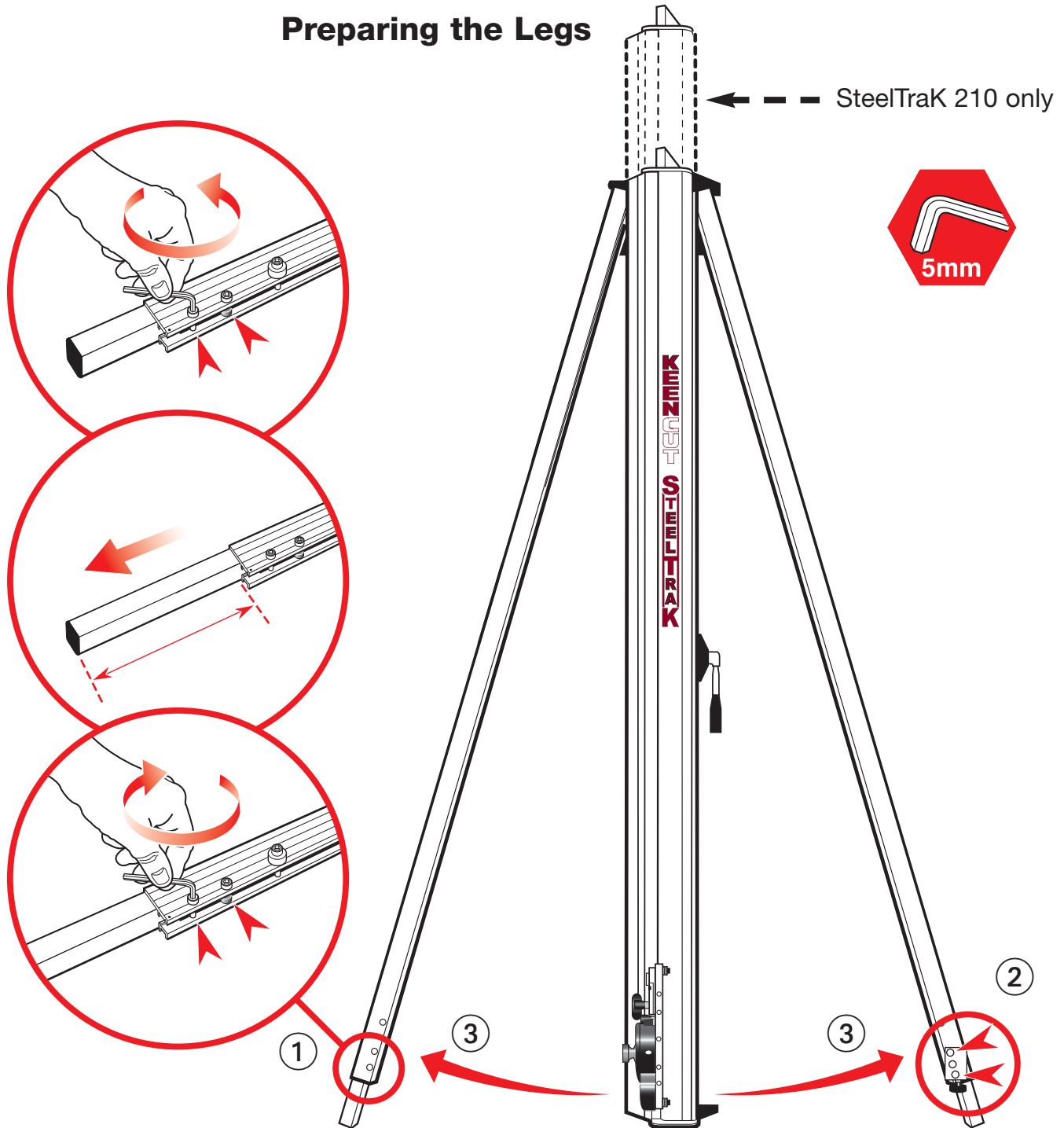
- 1. Main body
- 2. Squaring arm
- 3. Left Back Support
- 4. Right Back Support
- 5. Long Back Support Screws
- 6. Short Back Support Screws
- 7. Back Support Fixing Block
- 8. Left Production Stop
- 9. Right Production Stop
- 10. Wall mounting bracket
- 11. M8 Screws and Washers
- 12. Spare blades
- 13. Main Handle
- 14. Hexagon wrenches 2.5, 3.0, 4.0, 5.0, 6.0mm
- 15. Spare Sight-line Strip (165 – 1 off, 210 – 2 off)
- 16. Vertical Scale
- 17. **Optional** Free Standing Kit (Supplied separately – for 165 version only)
- 18. Pull Bar (210 only)

YOU WILL ALSO NEED:

- 17mm Spanner x 2
- 13mm Spanner x 1



Preparing the Legs

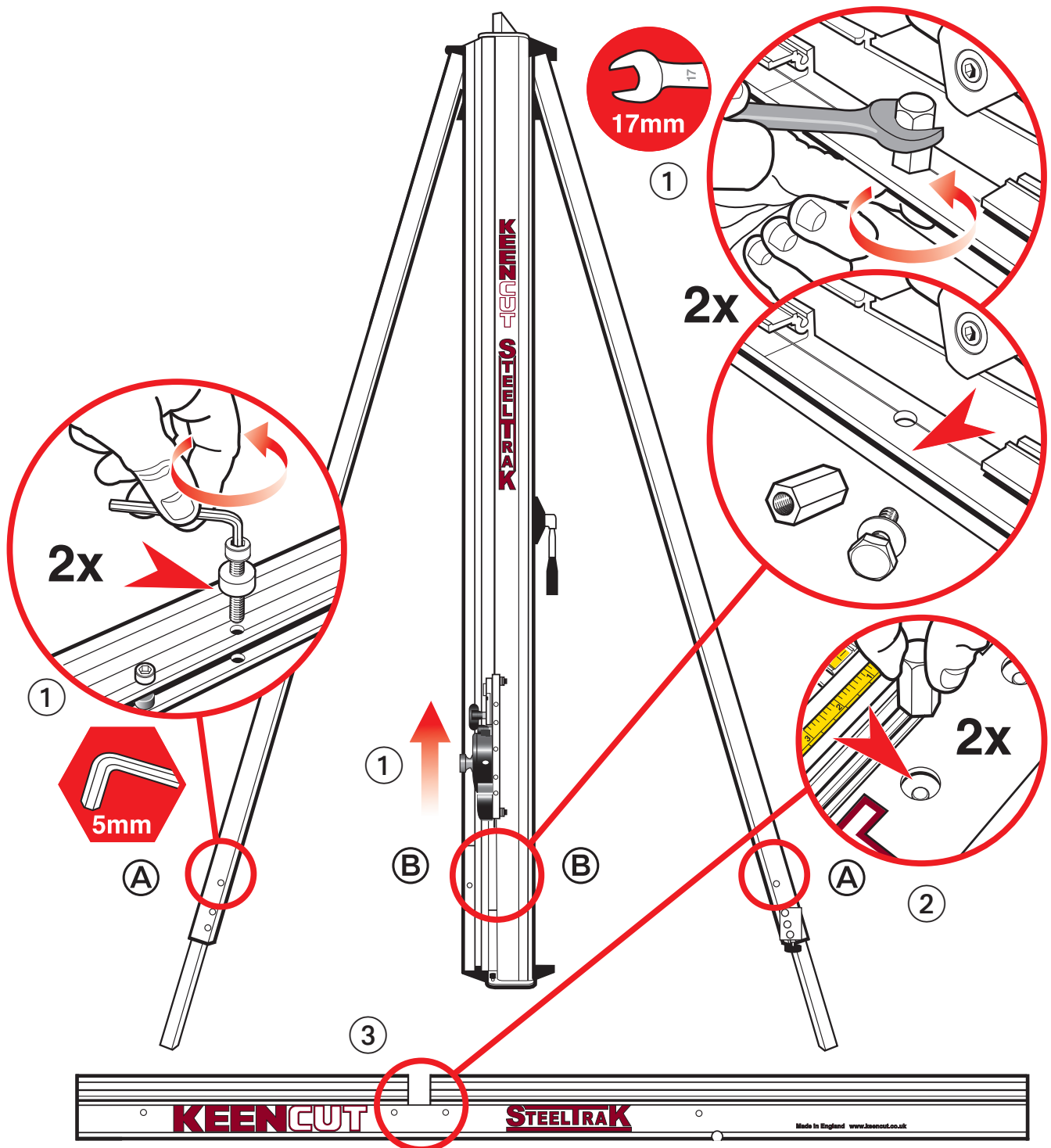


The first stages of assembly are carried out with the machine laying on the floor.

NOTE: When taking the machine from the box ensure at least two people are lifting. Remember to bend your knees and keep your back straight - this machine is heavy.

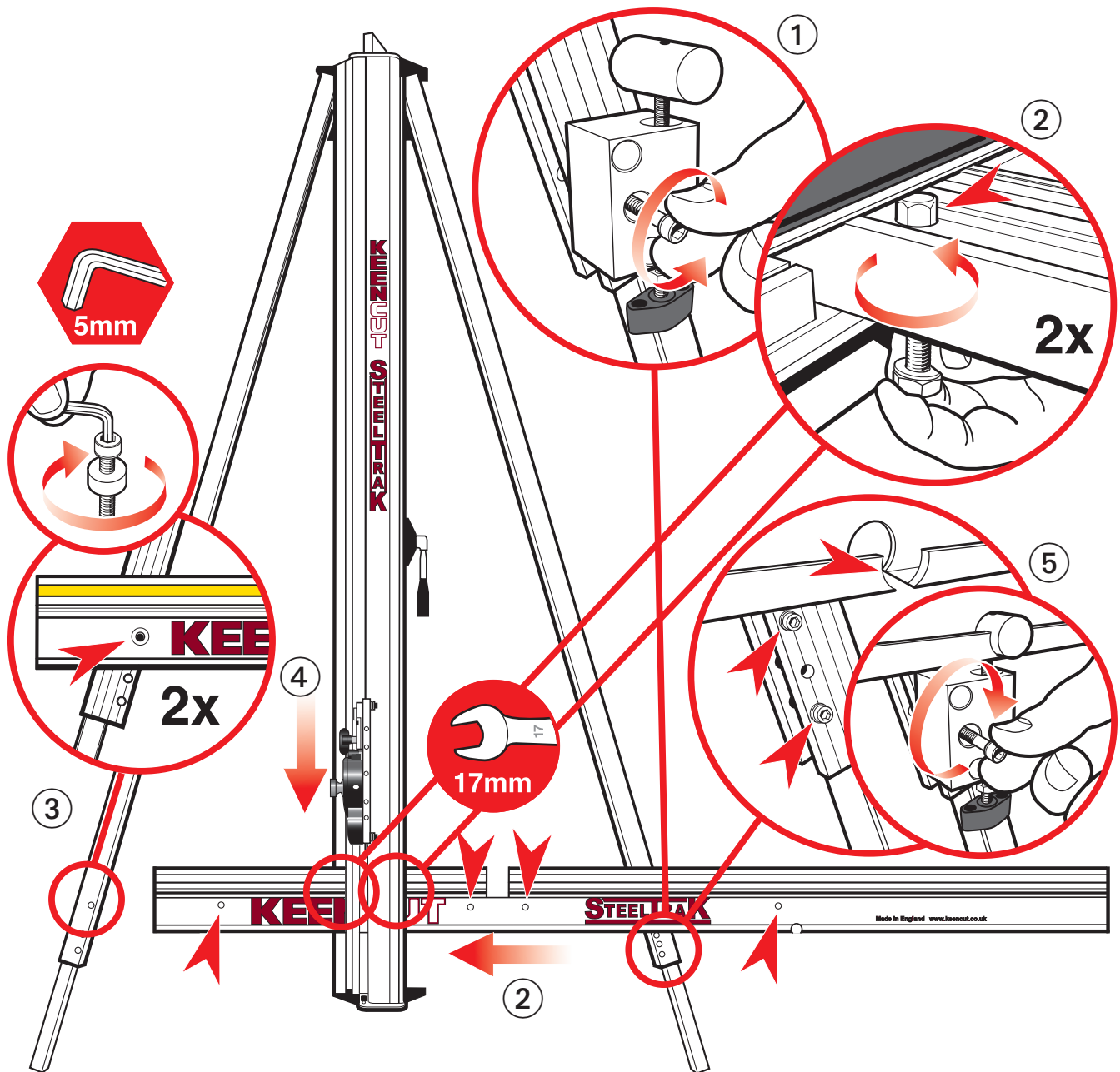
1. LEFT LEG - Slacken the bottom two screws and extend the telescopic leg to the desired length. (This can be readjusted later). Tighten the screws to clamp in position.
2. RIGHT LEG - Slacken the top and bottom screws in the Squaring Adjustment Block, extend the telescopic leg by the same amount as the left leg and re-tighten the screws.
3. Swing both legs out as far as they will go.

Preparing to fit the Squaring Arm

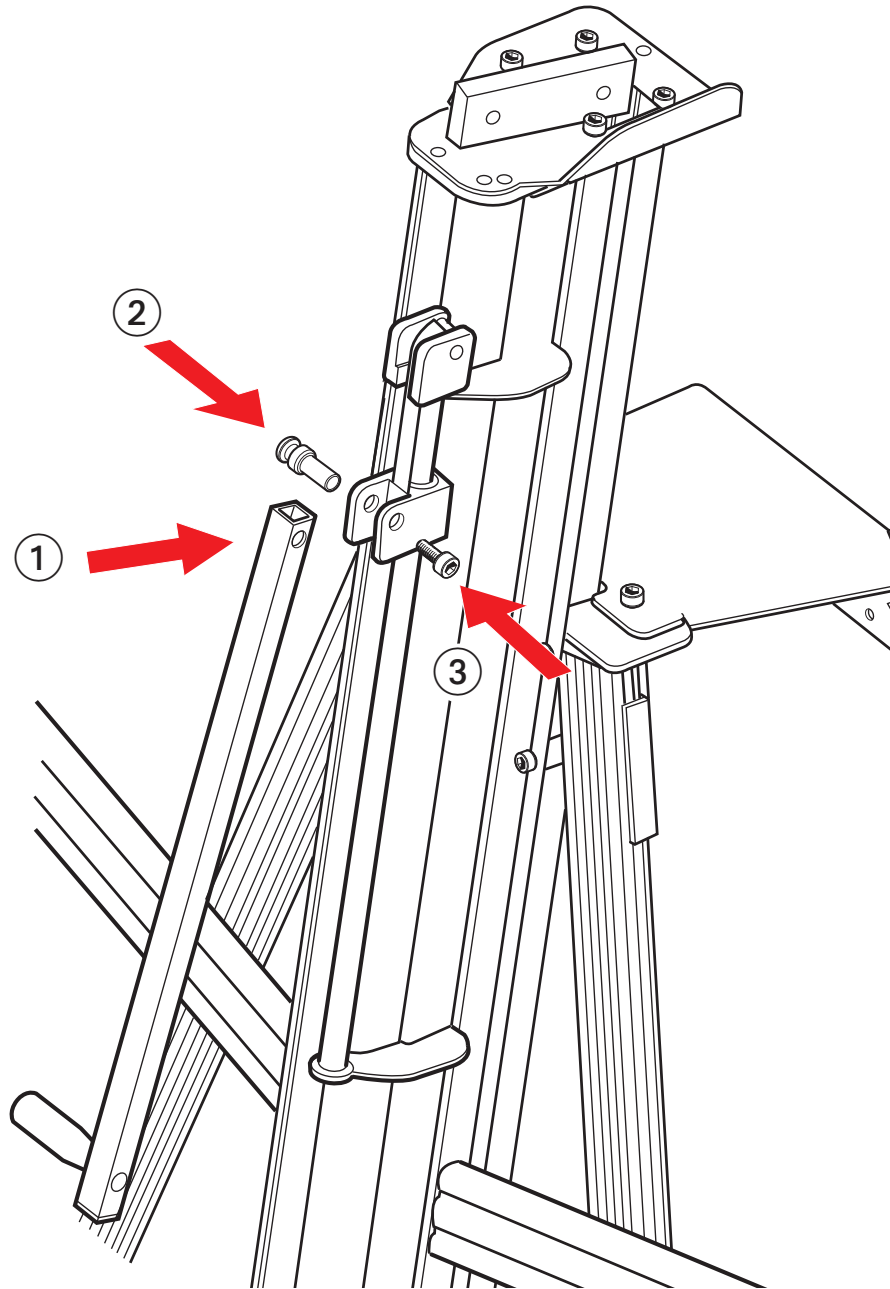


1. Remove the following:
 - A. One screw and spacer from each leg.
 - B. Two sets of hexagon headed bolts, washers and nuts from the Main Body
2. Lay the Squaring Arm flat adjacent to the machine, position the two long hexagon nuts into the two large middle holes.

Fitting the Squaring Arm



1. Remove the Squaring Adjuster Block from the right hand Leg by releasing the middle screw only (take note how this is fixed in place as it will be replaced after the Squaring Arm has been fitted)
2. Slide the Squaring Arm in through the gap in the Main Body and screw the two hexagon bolts and washers in place loosely (3 or 4 turns will do).
3. Fit the screws with spacers through the Squaring Arm into the legs, put the screws all the way in but do not tighten at this stage.
4. Move the cutting head to its lowest position.
5. Refit the Squaring Adjuster block by firstly sliding the steel bar into the opening in the Squaring Arm, then align the heads of the two screws in the Leg to fit the top and bottom holes in the adjuster block. The screws fixing the Squaring Arm to the machine should still be loose and allow it some movement to help alignment. Insert and tighten the screw in the middle hole.

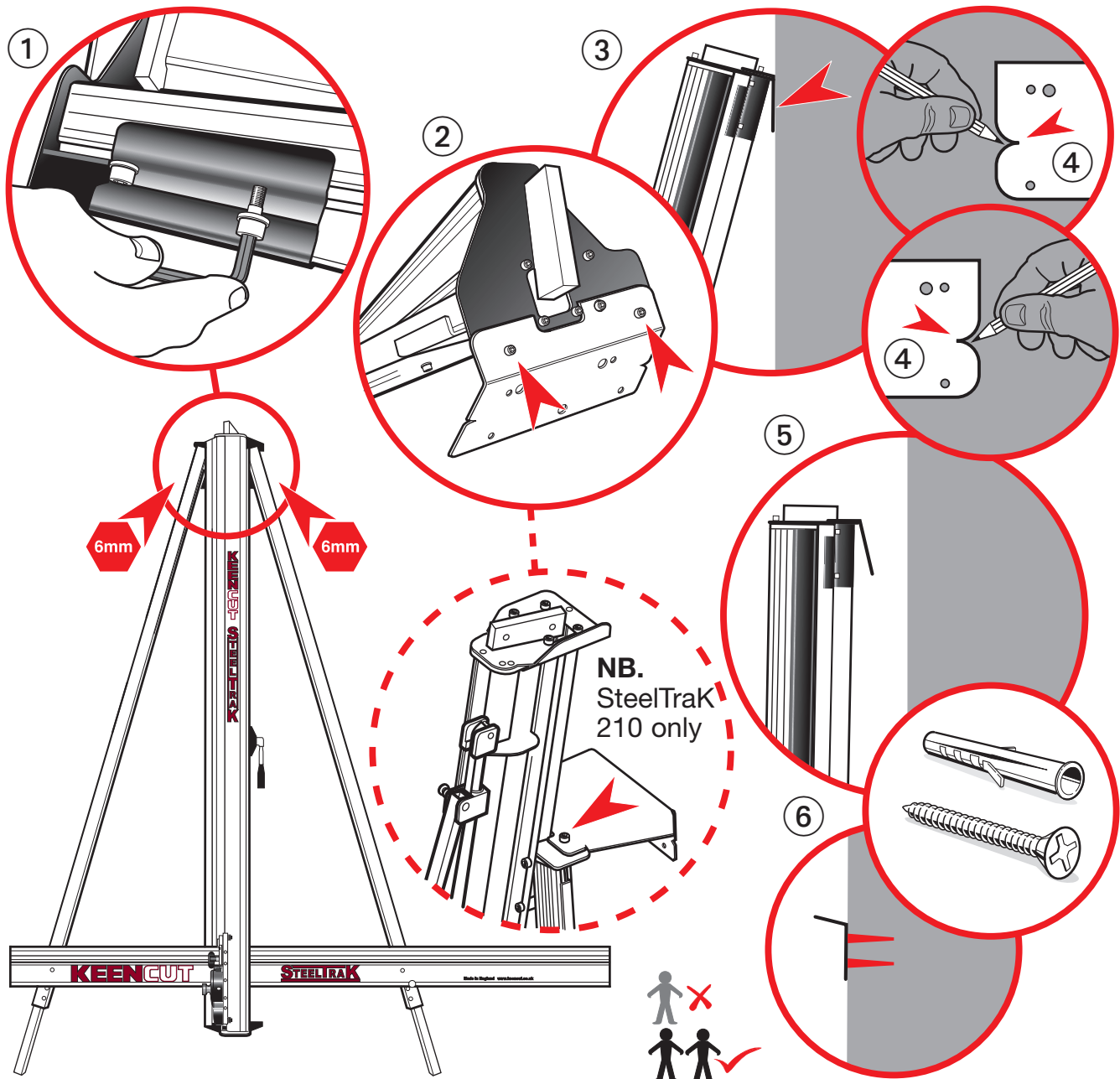
Fitting the Pull Bar (210 only)

The SteelTraK 165 offers a fast, accurate and robust way to cut boards measuring up to 165cm (65"). The SteeltraK 210 utilises a 'Pull Bar System' to increase the cutting length to 210cm (82") without compromising the straightforward way the SteelTraK cuts medium size boards. The 'Pull Bar' is only used when cutting between 165cm and 210cm and is automatically stowed out of the way when not in use by virtue of its integral spring balance

At any stage of the assembly before standing the machine up, fit the Pull Bar using a 6mm Allen key:

1. Remove the Screw and Stub Shaft from the end of the Pull Bar.
2. Insert the end of the Pull Bar in the bracket as shown ensuring the handle at the other end is facing in the correct direction.
3. Insert the Screw and Stub Shaft and tighten.

Fitting the Wall Mounting Bracket

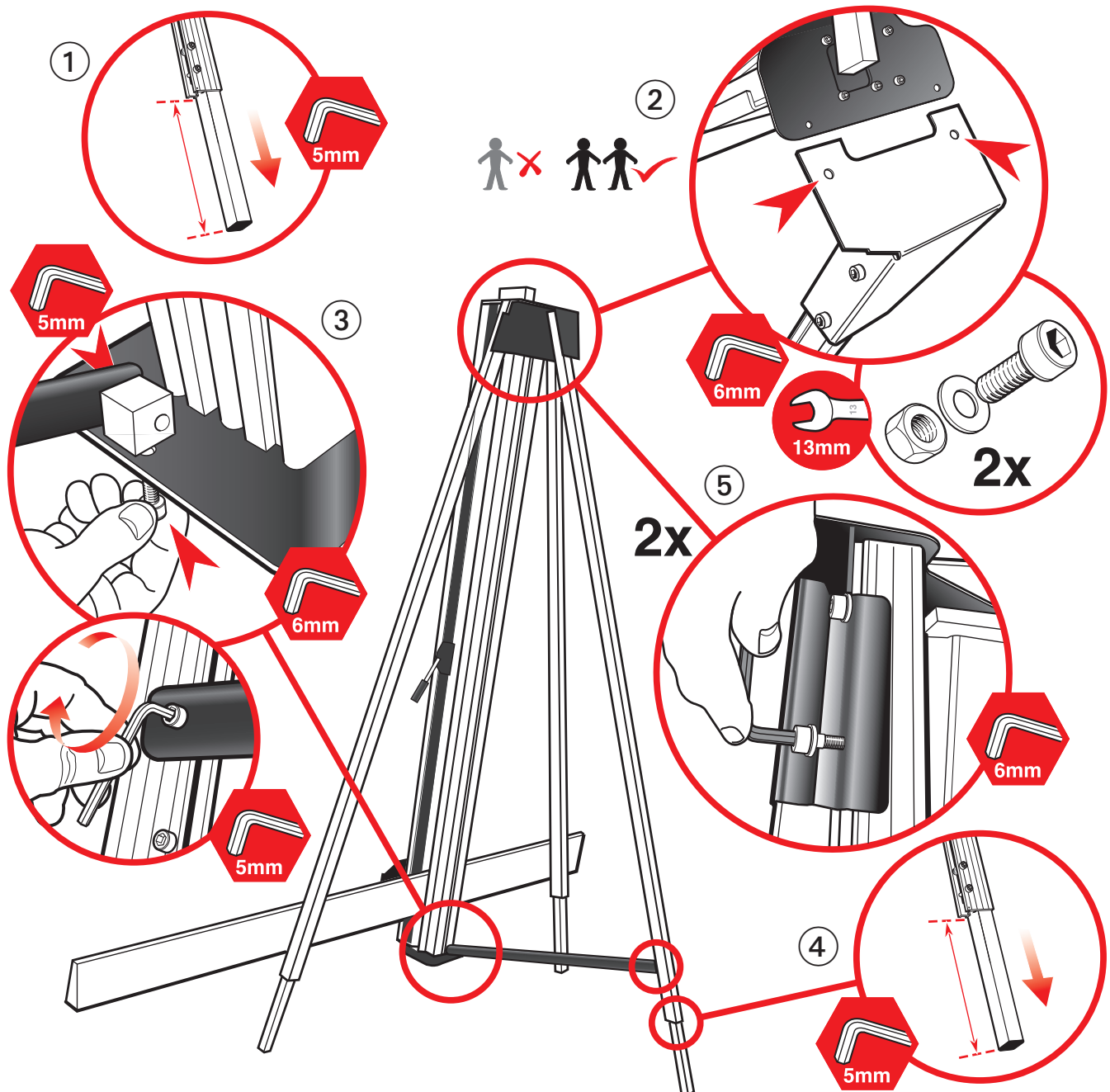


NOTE A: If you are going to fit the Free Standing Kit (optional) turn to the next page.
NOTE B: Ensure the wall is stable and use the appropriate fixings.

1. Lift the top end of the machine (place it on a strong stool or chair) and fit the two M8 screws (supplied separately) through the black Top Bracket into the back of each of the Legs. Tighten these and the adjacent two screws (four screws in all) to fix the Legs to the top of the Main Body.
2. Fit the Wall Mounting Bracket to the top of the Main Body, fasten the screws finger tight only.
3. Get help to lift the machine up and position it against the wall in the desired position.
4. The Wall Mounting Bracket should lay flush against the wall. Mark the position of the two V's on each side of the bracket with a short pencil.
5. Move the machine away and remove the Wall Mounting Bracket.
6. Attach the bracket to the wall in the marked position with appropriate fixings then reposition and fasten the machine to the bracket.

Fitting the Free Standing Kit (optional 165 only)

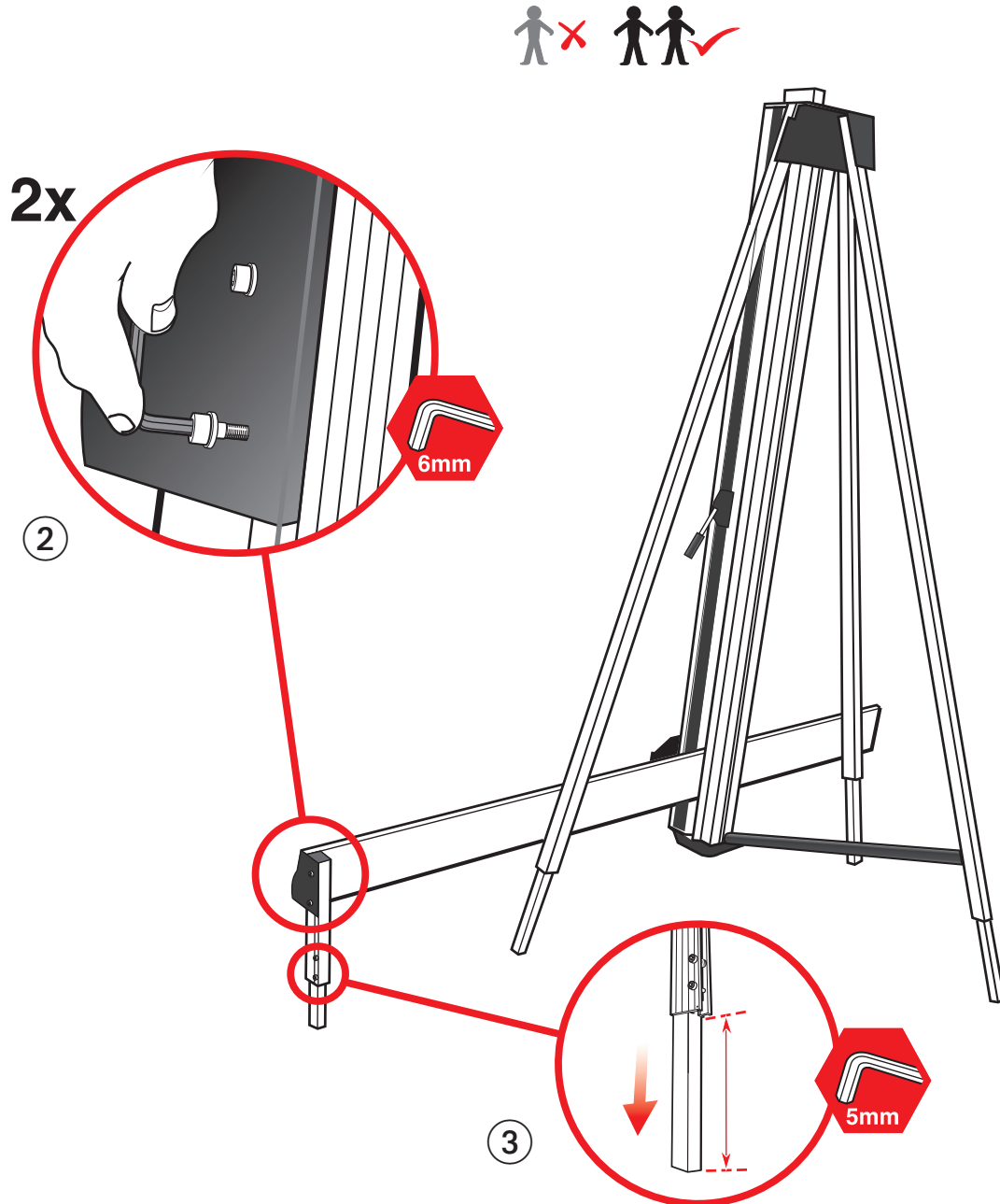
NOTE: The *Free standing kit* is an optional extra and does not come packed with the main machine. *Assistance will be needed to fit the Free Standing Kit*



1. Extend the telescopic leg to the same length as the front legs less 12cm (5")
2. Get help to hold the machine vertical and attach the bracket to the top of the machine using the nuts and screws provided.
3. Swing down the stay and attach the fixing block to the plate on the bottom of the Main Body, tighten all three screws on the stay.
4. Adjust the telescopic leg so the machine stands evenly as shown.
5. Secure the top of the Legs to the Main Body by fitting the two M8 screws (supplied separately) through the black plate into the back of each of the Legs, tighten these together with the adjacent two screws (four screws in all) to fix the Legs in position.

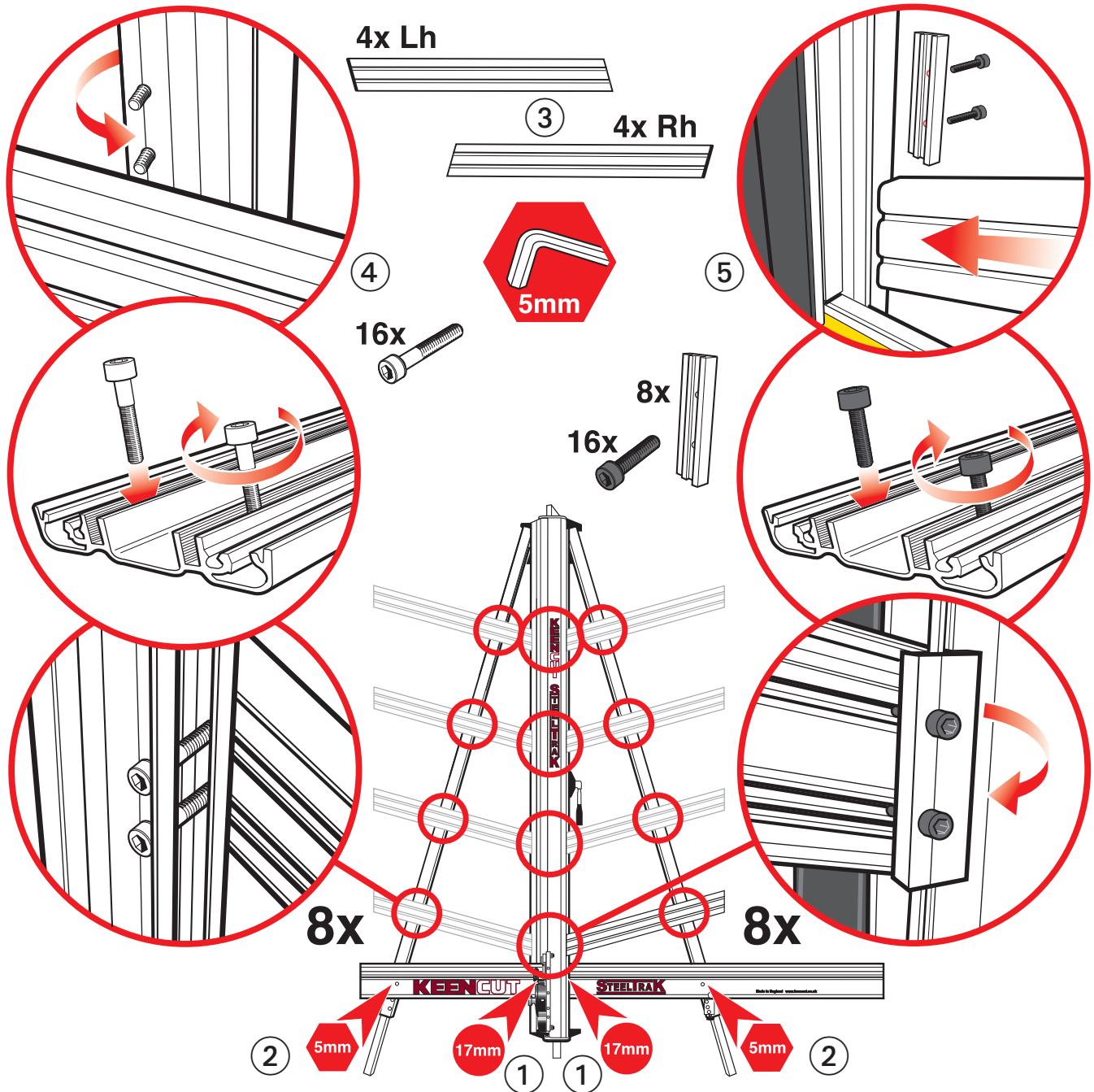
Fitting the Free Standing Kit (optional – 210 only)

NOTE: The *Free standing kit* is an **optional** extra and does not come packed with the main machine. **Assistance will be needed to fit the Free Standing Kit**



1. First carry out the fitting procedure (1 to 5) on the previous page.
2. Attach the bracket to the end of the Squaring Arm as shown using the two bolts provided.
3. Adjust the telescopic leg so the machine stands evenly as shown.

Fitting the Back Supports

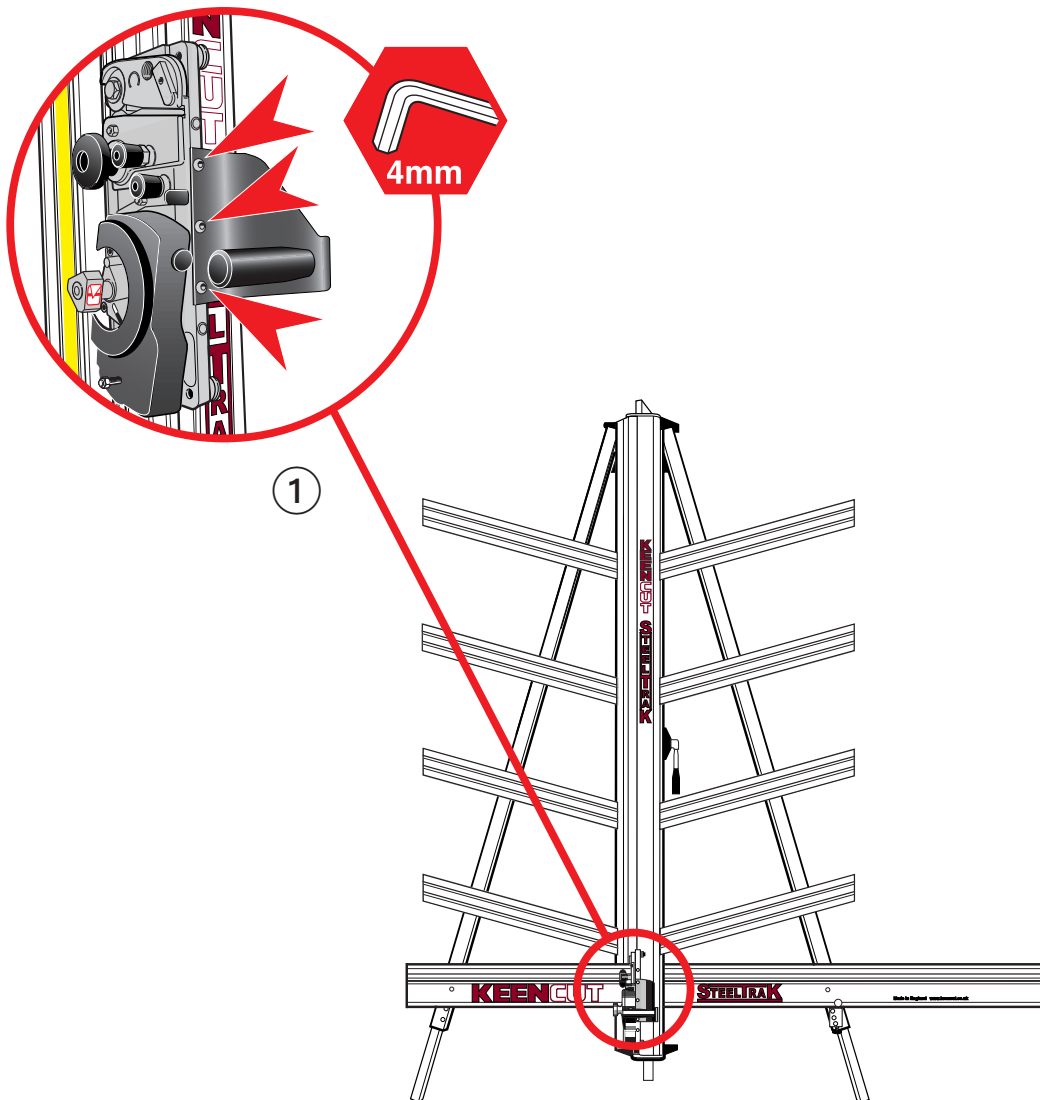


1. Tighten the two sets of nuts and bolts fixing the Squaring arm to the Main Column of the machine.
2. Tighten the two screws to clamp the Squaring Arm to the two Legs.
3. Separate the Supports into left hand and right hand.

NOTE: The screws fit into special grooves in the underside of the Supports. The grooves have teeth on their sides to match the teeth of the screw thread, the screw can be fitted in the groove anywhere along its length but be careful to make sure the screw is kept perpendicular to the Support and not screwed in out of line.

4. Place one of the 16 Long Screws in each of the holes along the legs of the machine, fix each Support in turn ensuring the ends of the Supports are firmly against the Main Column and the screws are aligned with the special grooves as explained above.
5. Fix the end of each Support in position with the Brackets and short screws as shown.

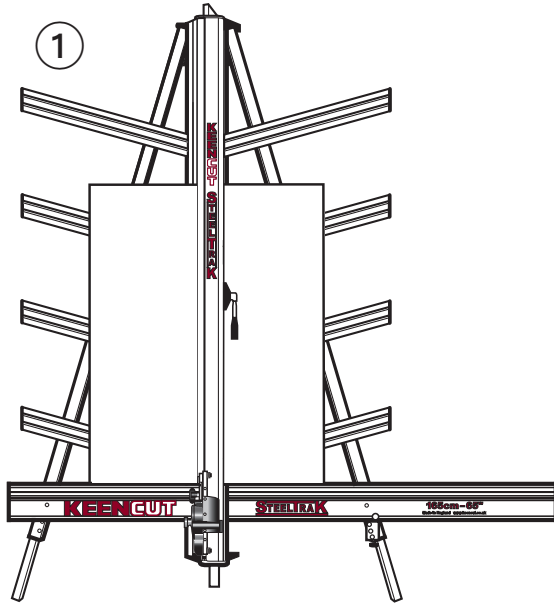
Fitting the Handle



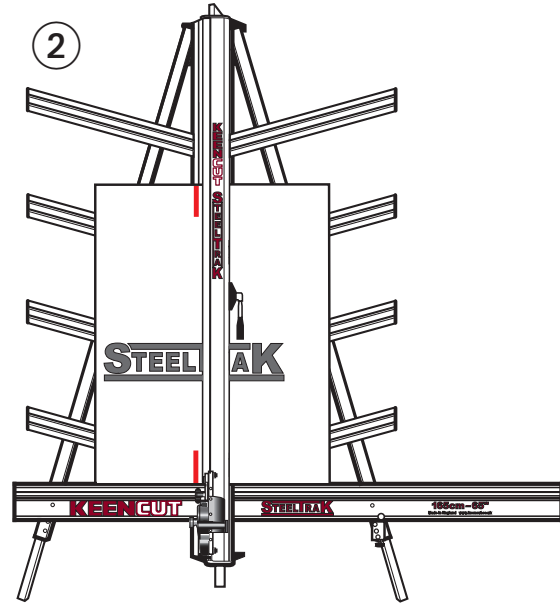
1. Remove the three screws from the top of the Cutting Head and fix the Handle in place being sure it is the correct way round (as shown). Move the cutter head to the middle of the Main Body

Checking your machine for Squareness

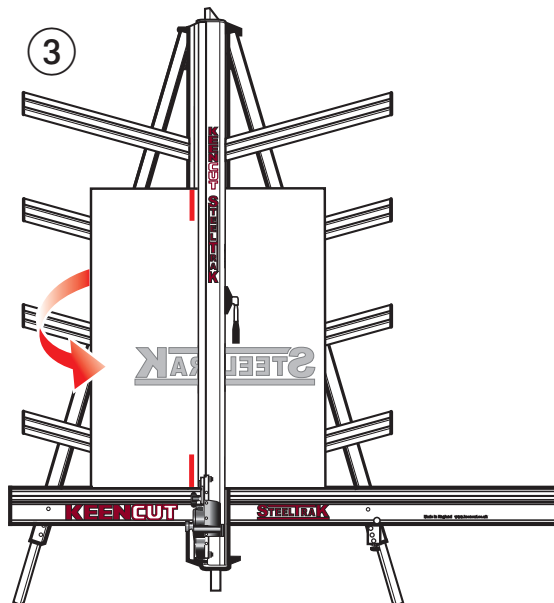
For your machine to produce accurate square cuts the Squaring Arm needs to be fixed at exactly 90° to the Main Column. To adjust the Squaring Arm first select a sheet of foam core or foam board (3-6mm) at least 60cm x 100cm (24" x 36") in size. The larger the board the greater the accuracy.



1. Place the board on the machine vertically as shown and apply the clamp ensuring the bottom edge is in firm contact with the Squaring Arm.



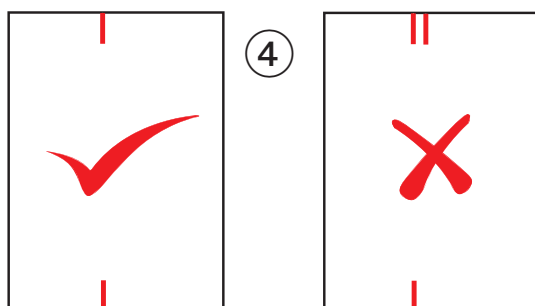
2. Select the cutting blade on the rotating cutting head (see section 6). Cut into the top of the board to produce a cut approximately 3cm (1") long. Disengage the cutter using the cutter release lever. Lower the cutter and make a similar cut at the bottom of the board by pressing the blade through the board about 3cm (1") from the bottom edge of the board.



3. Unclamp and turn the board around and place it back in the SteelTrak but do not clamp it.

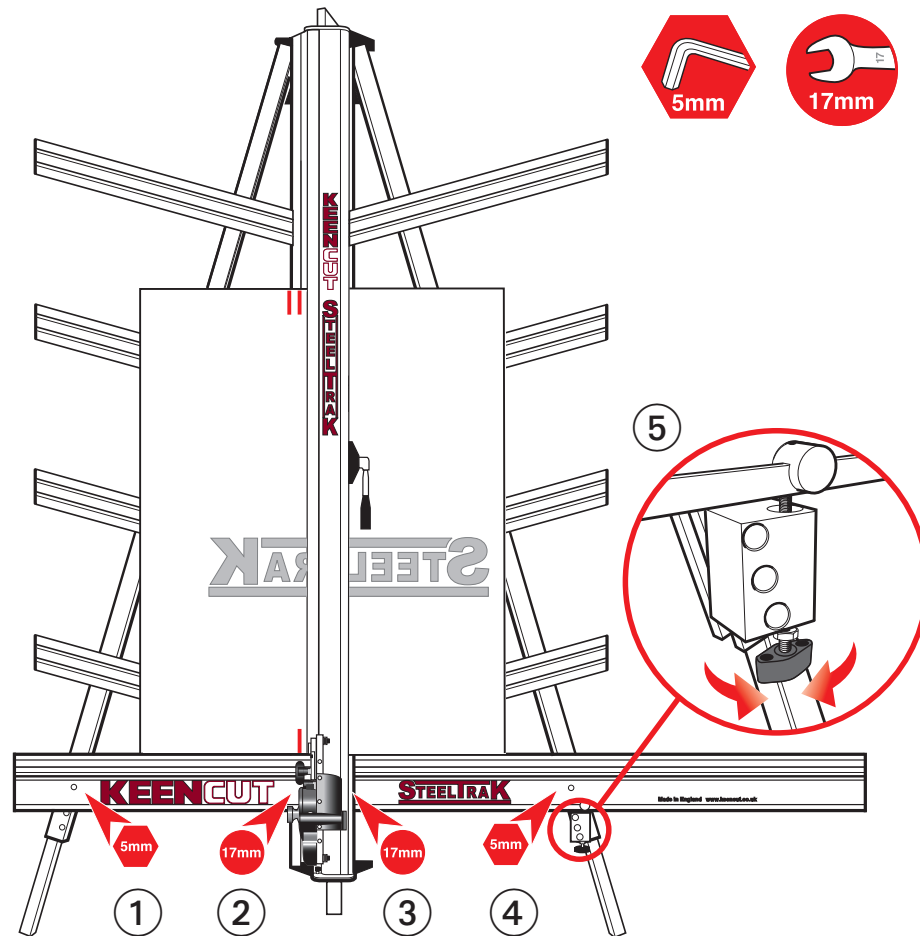
NOTE: For the test to work the board must be turned laterally (like a page in a book) not top to bottom.

Move the sliding head down and align the board so that the cutting blade enters the previous made cut at the bottom edge of the board. Apply the clamp. Release the blade..



4. Raise the sliding head and depress the blade so that it engages with the top edge of the board, if the machine is square the blade will enter the same cut as made previously. If not refer to the following page to make the necessary adjustment.

Adjusting the Squareness



NOTE: Before making any adjustments carry out the squareness check as described on the previous page.

It is assumed that the board used for the test is still clamped in the machine. From the test results determine if the last cut made in the top of the board is to the left or right of the previous cut, as shown above:

1. Slacken the two screws(1 + 4) joining the Squaring Arm to the two Legs.
2. Slacken the left hand nut (2) joining the Squaring Arm to the Main Body, make sure the right hand nut (3) is tight.
3. Release the clamp and position the board such that the blade is held in the cut on the bottom edge of the board, press down on the board to make sure it is in good contact with the Squaring Arm.
4. Turn the squaring adjustment knob (5) on the right hand Leg in the direction shown below dependant upon the position of the top two cuts.

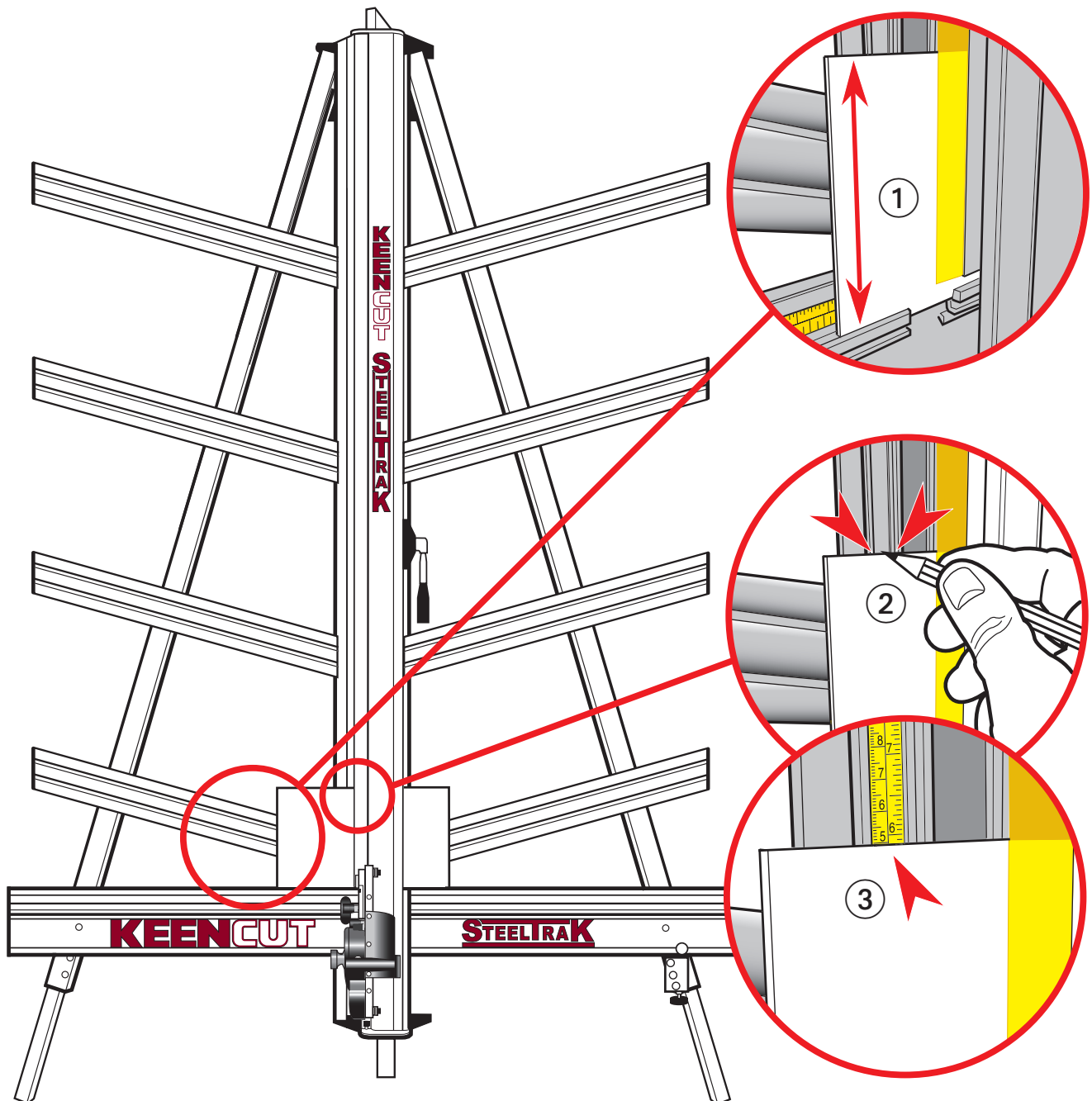
If the second cut is to the **right** of the first cut turn the adjustment screw **clockwise** when viewed from underneath.

If the second cut is to the **left** of the first cut turn the adjustment screw **counter-clockwise** when viewed from underneath.

The adjustment screw should be moved so that when the blade is moved to the top of the board it cuts **between the two existing cuts**, the plastic sightline fixed to the edge of the clamp gives an indication where the machine is going to cut.

5. Repeat the squareness check.
6. Tighten the screws (1,2, & 4) nut loosened in 1& 2 above.

Calibrating the Measuring scales

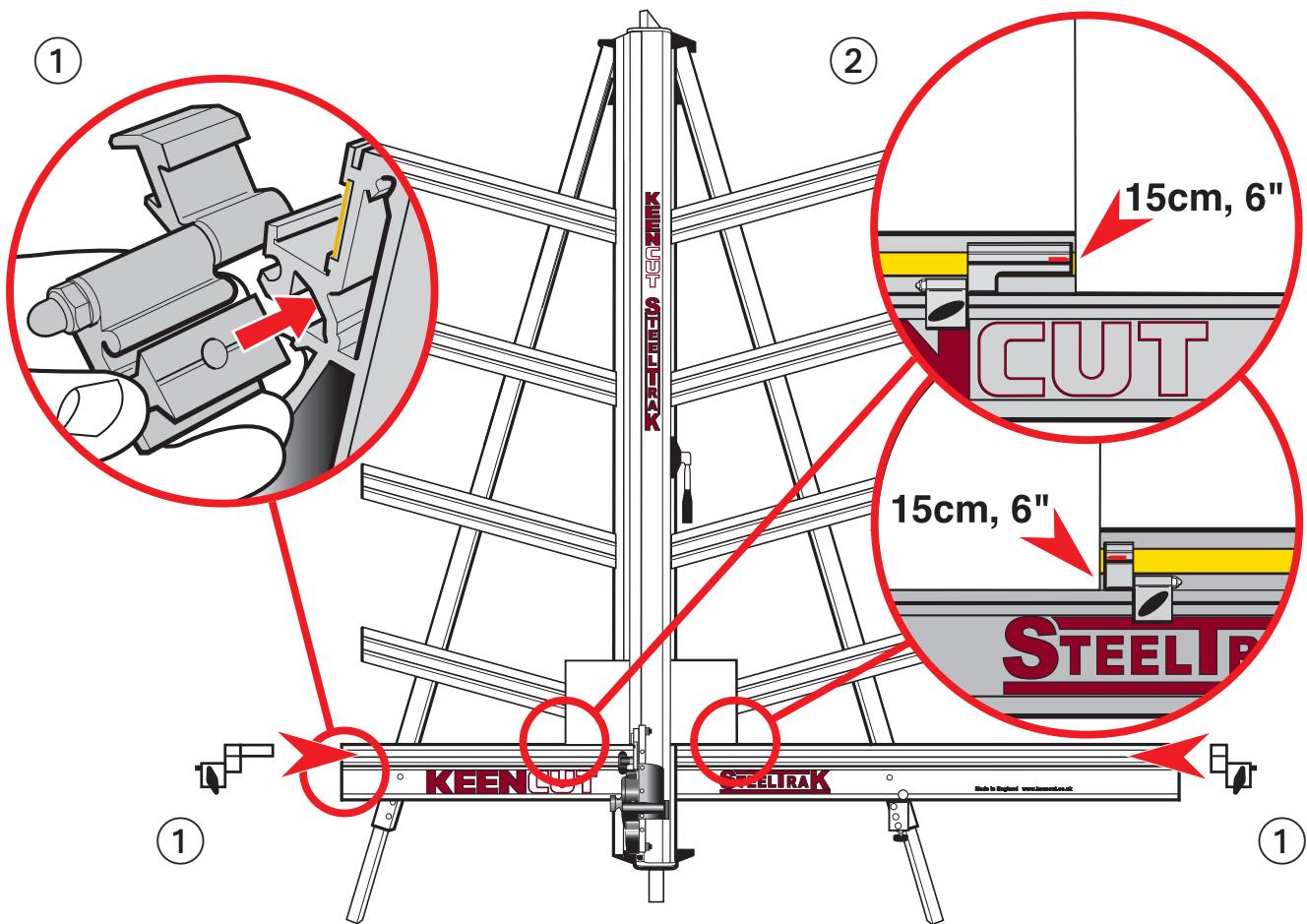


The vertical measuring scale is supplied separate from the machine, the two horizontal squaring arm scales are already attached to the machine but may not be positioned accurately and will need calibrating.

Vertical scale: This measures the height of the board on the machine and is only used for reference.

1. Take a small piece of board and accurately measure its' height, place the board in the machine such that it lays over the groove where the scale is to be applied.
2. With a pencil, mark a fine line level with the top edge of the board adjacent to the groove.
3. Remove the release paper from the groove in the Main Body and stick the Vertical scale in place such that the pencil mark lines up with the measured dimension in (1).

Calibrating the Measuring scales



The two horizontal squaring arm scales are already attached to the machine but may not be positioned accurately and will need calibrating.

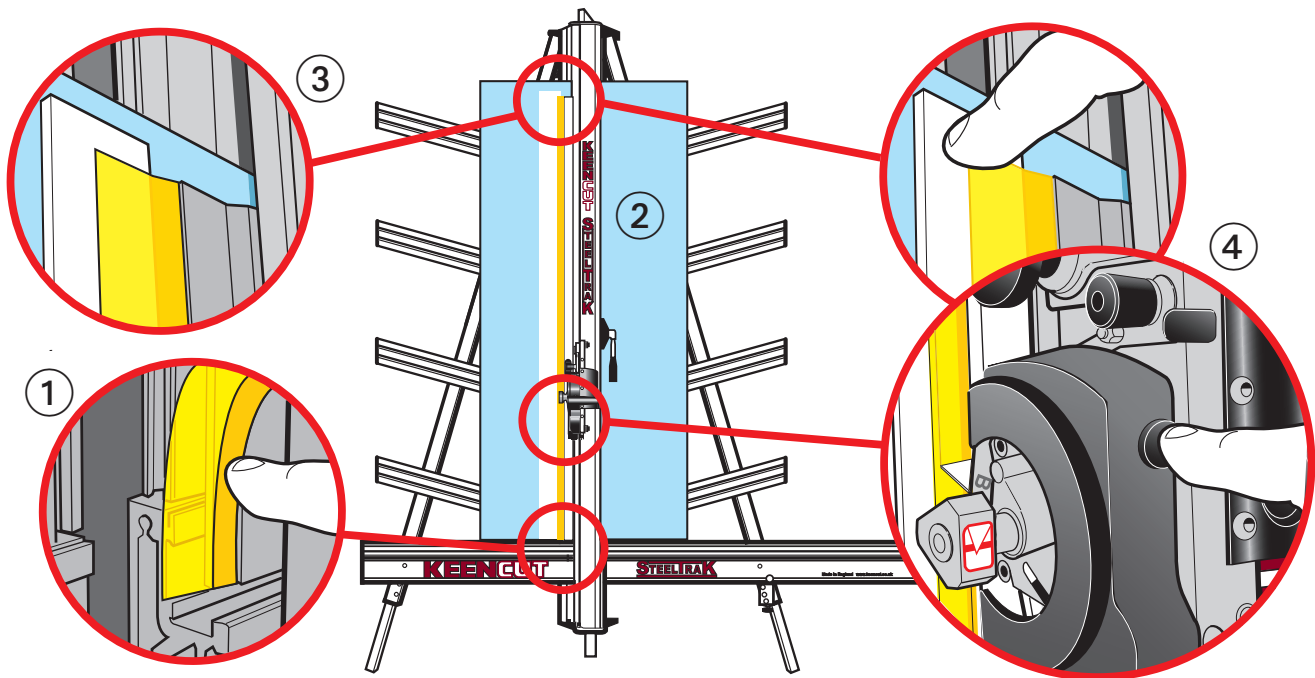
Horizontal scales: The SteelTrak can be loaded from either side and the scales are used by eye or using the stops to measure the required width of board that will be cut off to the left or right of the cut line. The cutting blade, twin wheels and scoring tools cut on the same line. The measuring scales are fixed to sliding stainless steel strips that can be moved to allow accurate calibration.

1. Slide the two Measuring Stops onto the Squaring Arm being careful to align the profile of the stop and its locking bar to the profile of the Squaring Arm. The Measuring Stops are able to 'flip' in and out as required.
2. Set both stops at 15cm (6"), 'flip' one of the stops into place and the other out, then place a piece of card in the machine and slide it to touch the stop that is flipped in. Clamp the card in place select the cutting blade on the rotating cutter head and cut the card.
3. Measure the cut width of the card, say it is 14.7cm (5 7/8"), slide the Measuring Scale so that it reads the dimension measured i.e. 14.7cm (5 7/8"). Repeat the process with the other Measuring Stop.

NOTE: If the scales move too freely it is simple to increase the friction. To avoid resetting the scales first choose any easily remembered dimension and set the stop. Slide the scale from its groove, twist it and replace it to the remembered dimension.

Fitting the Sight-line strip

NOTE: The Sightline Strip is fitted to your machine but may wear or get marked with use. A spare strip is included with the machine, replacement strips are available from your distributor.



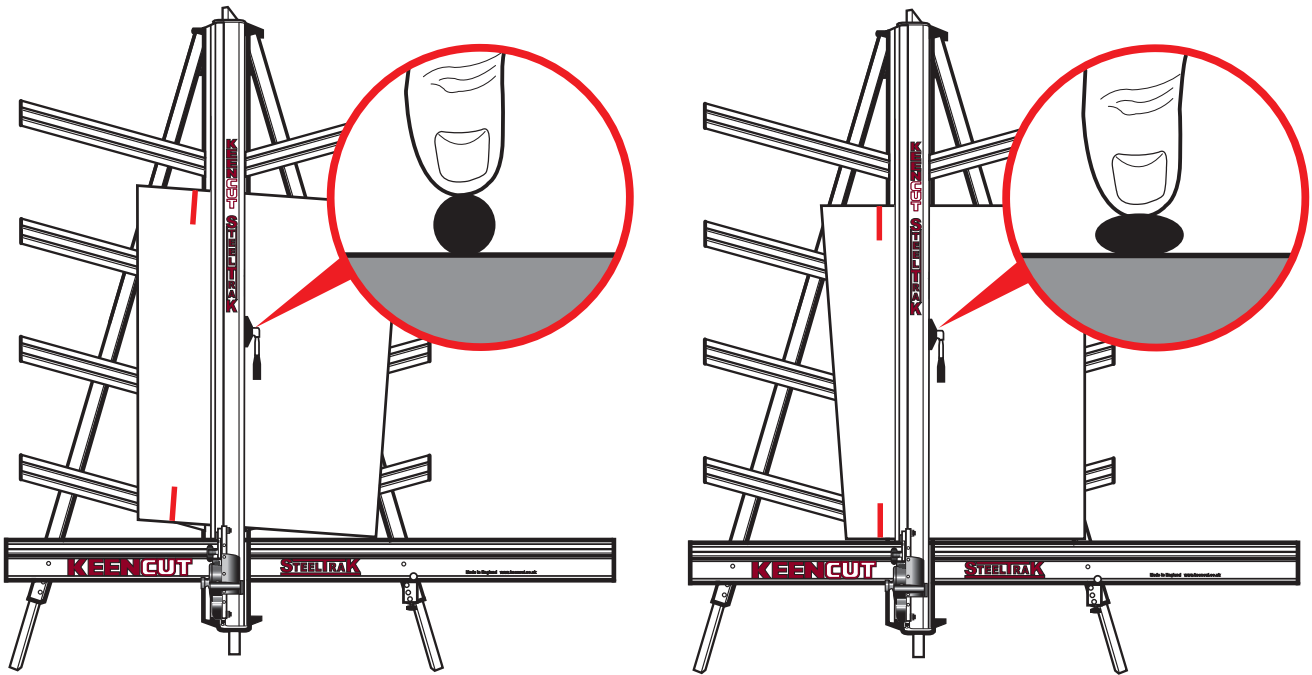
The Sight-line strip is fixed to the clamp and then trimmed using the cutting blade to give an accurate guide when cutting to trim lines, the edge of an image or pencil marks.

NOTE: Do not engage the Twin Wheel Cutter until reading its instructions for use in Section 6. Engaging the Twin Wheel Cutter interferes with the Sight-line Strip and can cause damage to it. A gap is left in the Sight-line Strip at a convenient height to enable the Twin Wheel Cutter to be engaged.

1. Remove the worn Sight-line Strip by peeling it off and clean any surplus adhesive with solvent cleaner on a cloth. Remove the backing paper and starting at the bottom press the Strip firmly in the channel provided working upwards and cut off at a convenient height. Leave a gap of 18cm (7") and then fit the remainder of the strip. For the 210 version one full length Strip and one cut in half will be required.
2. Place a piece of firm board up to 6mm (1/4") thick on the machine to bridge the gap running down the back of the Main Body, this needs to be the full height of the clamp.
3. Place a piece of card or foamboard 3-6mm (1/8"-1/4") thick under the full length of the flexible part of the Sight-line strip, **not under the aluminium clamp itself**. Depress the clamp handle so that the Sight-line strip is pressed flat across the surface of the board.
4. Keep fingers clear and using a block or tool hold down the top left corner of the strip to start the cut. With the turret ratchet disengaged (Scoring page 6) press the blade lightly on to the surface of the Sight-line strip score along the full length. Repeat and trim the Sight-line strip in 2 or 3 cuts.

NOTE: If a board is not available to go the full length of the clamp use two or more pieces or trim the strip in stages.

Using the clamp



The Clamping system enables the operator to control the grip pressure by means of an integral friction brake that maintains the clamping force at the pressure applied by the operating lever. Soft materials can be held firmly without sustaining damage and solid materials held rigidly without movement. By following the guidelines below it will help you to get the most from the machine:

USE	CLAMPING INSTRUCTIONS
Soft materials such as Foamcore boards, Lightweight card, etc.	Use light to medium pressure. The underside of the clamp grips an area nearly 4cm (1½") wide with a non-marking sponge rubber reasonable force can be applied. If in doubt clamp a sample first with the good surface facing outwards.
Harder materials such as PVC foam board, MDF or Composite boards such as Dibond.	Use medium to heavy pressure.
Cropping to trim lines, pencil marks, etc. (See drawing)	Place material in approximate position under clamp, apply light clamp pressure to allow the material to be repositioned. Align the trim marks with the edge of the Sight-line strip and clamp.

The Cutting Head in General

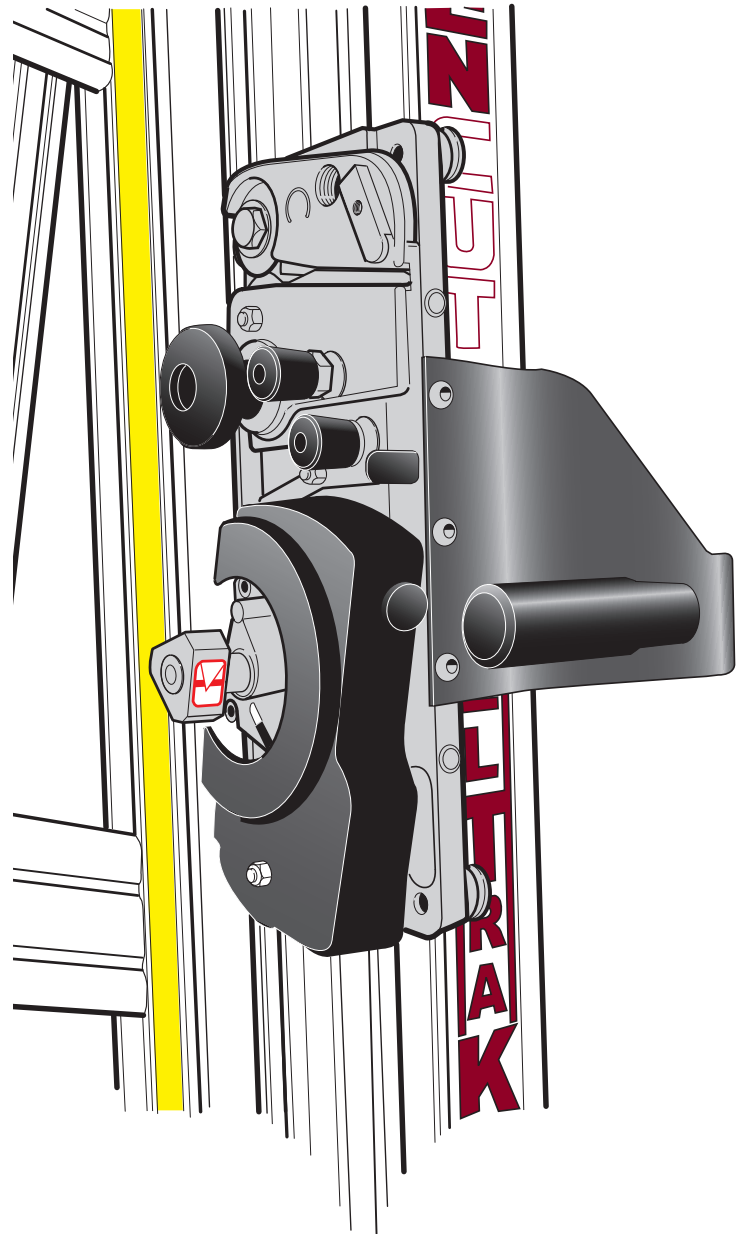
The Cutting Head runs up and down the Main Body of the machine on two stainless steel tracks and has zero side movement giving perfect blade control. The Main Body also encloses a balance weight system that allows the Cutting Head to be suspended at any height, benefiting blade changing and maintenance but also minimising the effort required to lift the heavy duty Cutting Head.

There are four cutting functions built into the machine the top part of the Cutting Head houses the Twin Wheel or TW Cutter, the standard Composite TW Cutter is used for cutting tougher materials than a normal blade can handle. Composite boards such as Dibond (r) and other materials including MDF, Masonite and Hardboard up to 4mm thick are all cut with ease in one stroke. The TW cutter can be easily engaged and disengaged at will.

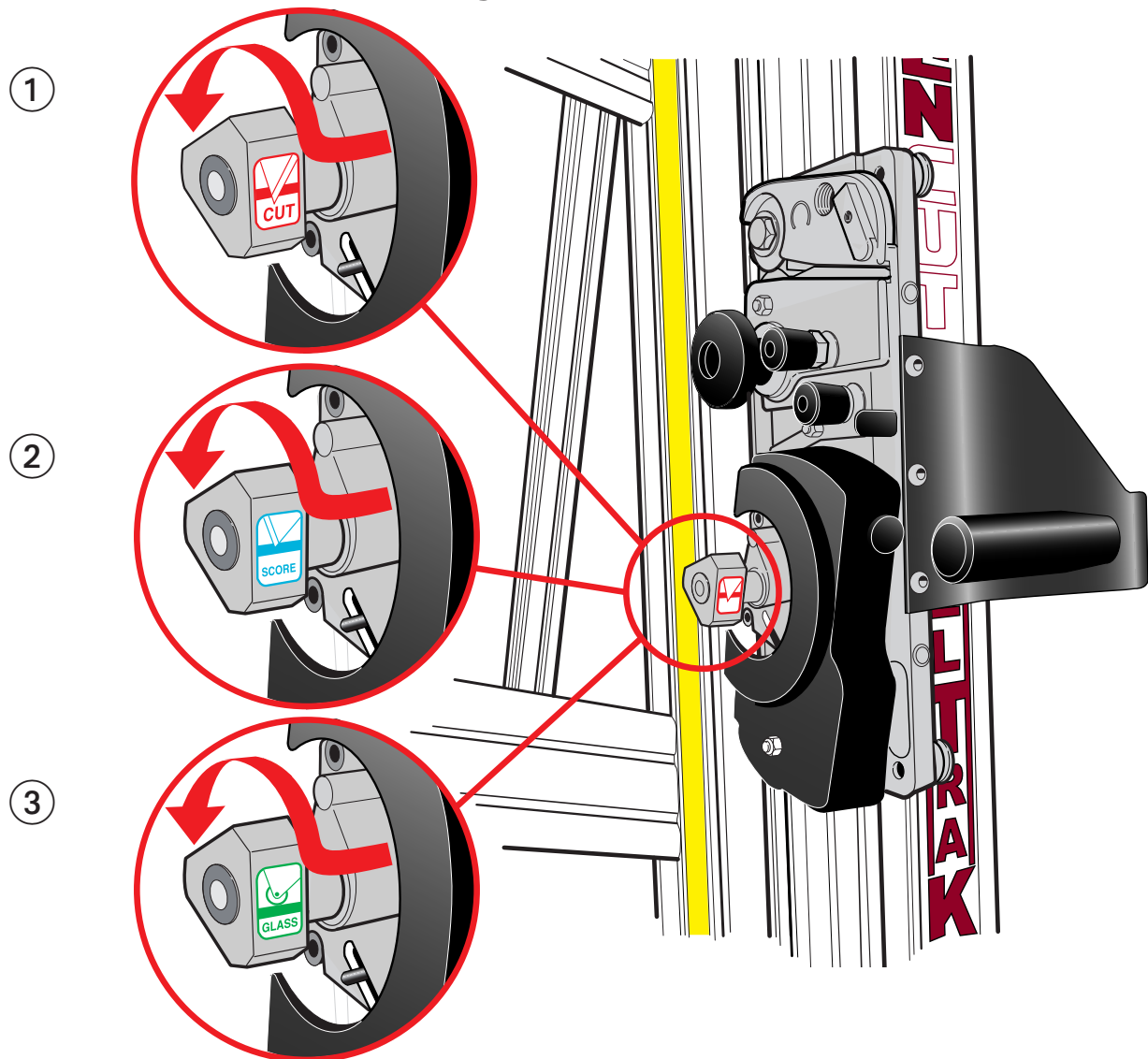
An optional Aluminium TW Cutter is also available for cutting aluminium up to 1.6mm (16swg) and can be attached to the machine in just a few seconds. If you need further advice regarding materials please contact your supplier.

On the lower half of the Cutting Head is the Multi-Cutter Head housing three instantly selectable cutting tools. To change between the cutting tools just pull the Turret Handle out to the left and rotate it one third of a turn until the indicating label shows which cutter is active.

The Multi-Cutter Head also incorporates the unique Keencut Ratchet System which gives two main advantages. Firstly, it enables thick, tough materials to be cut in multiple passes by setting the ratchet to cut through the board in stages giving the best cut quality achievable and reducing operator effort to suit the operator. Secondly, it locks the cutting blade at the required depth and holds it there mechanically so concentration can be applied to pushing the blade through the material without having to worry about applying effort to hold the blade in the material. Once the blade reaches the bottom of the cut it the ratchet is automatically disengaged and the Cutting Head moves out to its rest position ready to be set for the next cut.



The Cutting Head in General

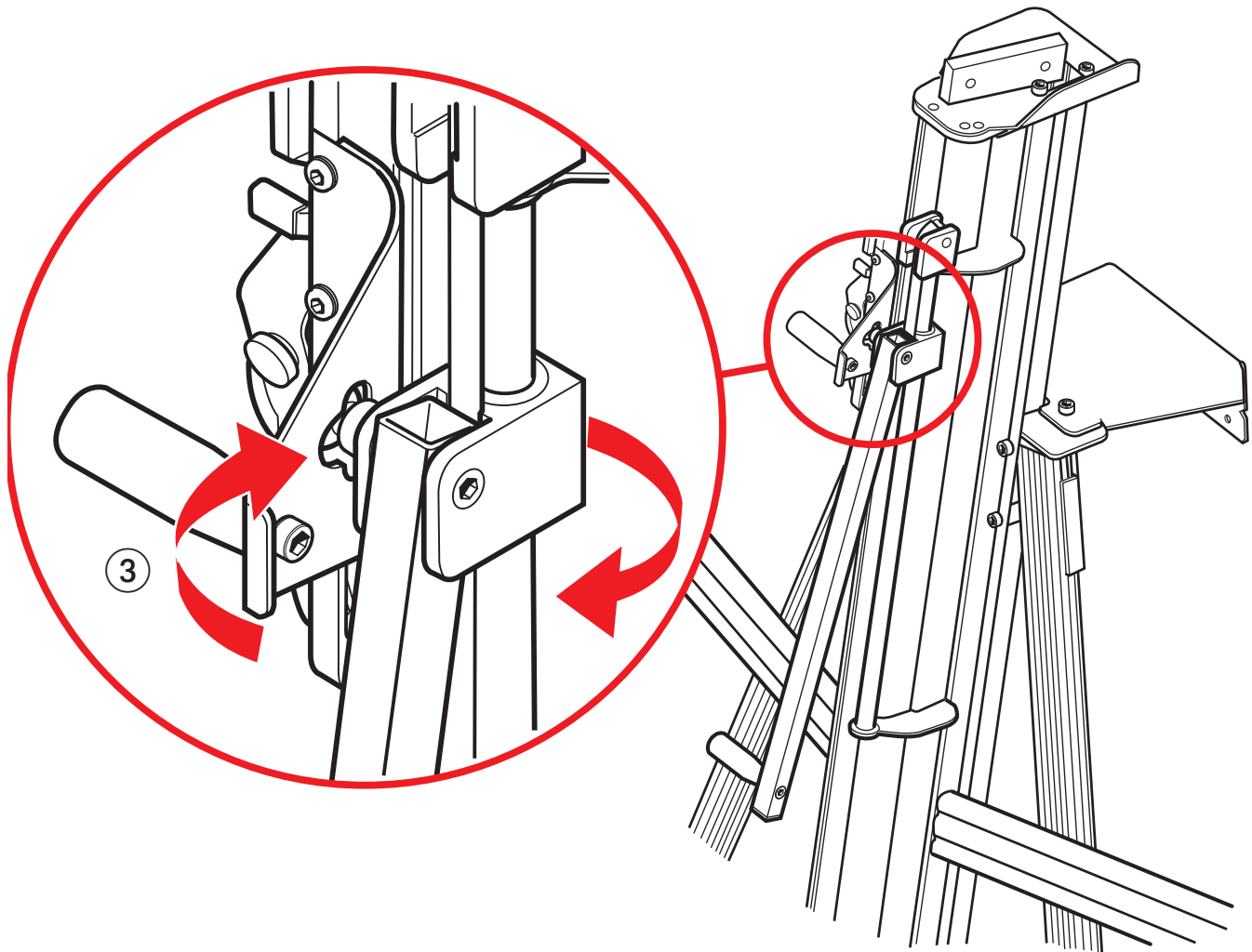


The three cutting tools are:

1. **The Cutting Blade** - Using a standard Medium Duty utility blade (not Heavy Duty - they will not fit) to cut PVC Foamboards like Forex®, corrugated plastic such as Correx®, card, matboard and many other types of rigid boards up to 13mm (1/2") thick.
2. **The Scoring Blade** - A specially designed tool steel scoring blade is used to score the surface of any brittle plastics including Acrylic's such as Perspex®, Plexiglass and even some Polycarbonates. Once scored the plastic sheet is removed from the machine and 'snapped' along the score line. Any thickness (up to 13mm 1/2") can be scored but tests should be carried out on a sample of the sheet to ensure it does 'snap' and to an acceptable quality (remember to use hand and face protection when doing this).
3. **Glass Cutting** - A high quality tungsten carbide wheel is used to score glass. An optional Glass Cutting Kit will be required to use this facility, operating instructions for glass cutting are not included in this manual and but are supplied with the Glass Cutting Kit.

NOTE: Our research established that glass cutting is very rarely required by Sign makers and Graphic workshops. That knowledge allowed us to exclude the fixed breakout ramp and incorporate a level back board system enabling material to be loaded from left or right for optimum material flow in any workshop.

How to use the Pull Bar System

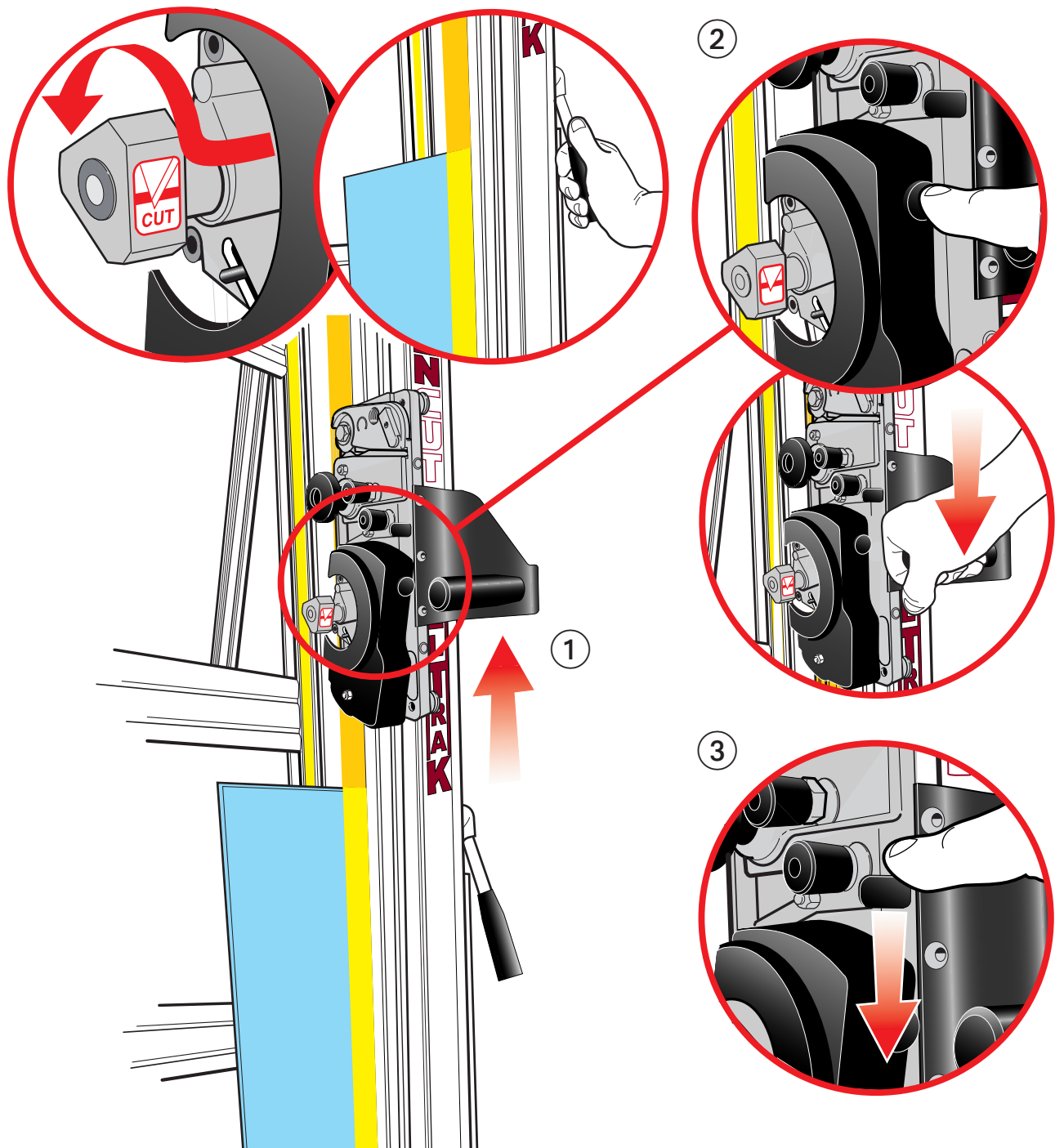


Cutting boards above 165cm high is done so in two stages, the first using the Pull Bar then disengaging the Pull Bar and using the handle directly connected to the Cutting Head.

To cut larger than about 165cm (65"):

1. Raise the Cutting Head to chest height, select the cutting tool required and engage it in position ready for cutting.
2. Check the black plastic handle on the Pull Bar is pointing out towards you.
3. Push the Cutting Head up far enough so the stub shaft on the Pull bar can be twisted to engage in the slot of the handle bracket (see above).
4. Using the Pull Bar push the Cutting Head to the top of the machine.
5. Insert the material to be cut into the machine and clamp in position.
6. Pull down on the Pull bar to cut, the stub shaft is designed so that it locks itself in position when the Cutting head is moved up or down preventing the Pull bar from being able to twist out of place.
7. When the board has been cut as far as the Pull bar will allow, slightly push the Pull Bar up and twist it away from the Cutting Head to disengage it. Raise the Pull bar all the way up to its rest position
6. Continue the cut using the Cutting Head handle in the normal way.

The Cutting Blade



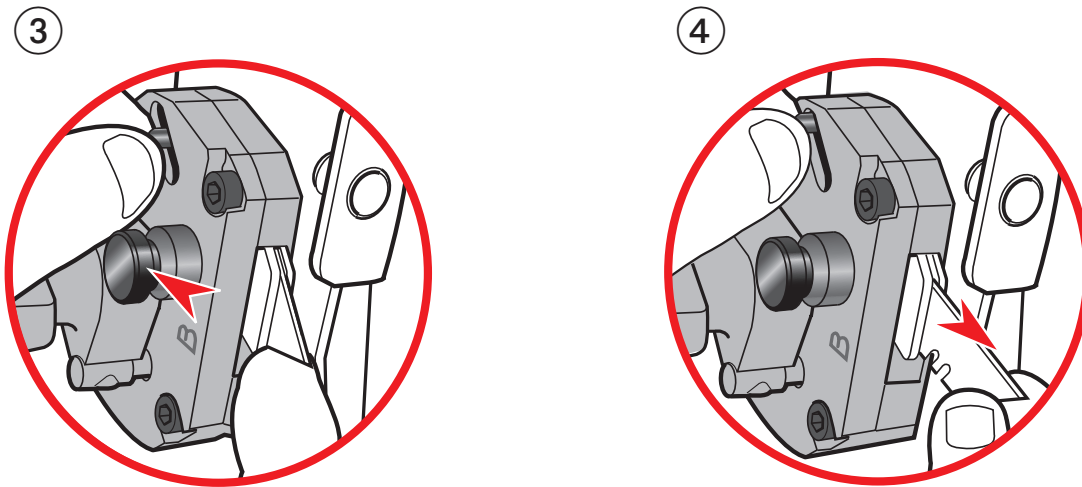
Basic Cutting Technique. Select the Cutting Blade position on the turret and clamp the material in the machine.

1. Move the cutting head beyond the top of the material to be cut.
2. Press to engage the cutter.

Draw the cutter down to the bottom of the machine where it will disengage automatically.

3. Should you engage the cutter by mistake or for any reason want to disengage the cutter without moving it to the bottom of the machine pull down the Ratchet Release Lever.

Changing the Cutting Blade



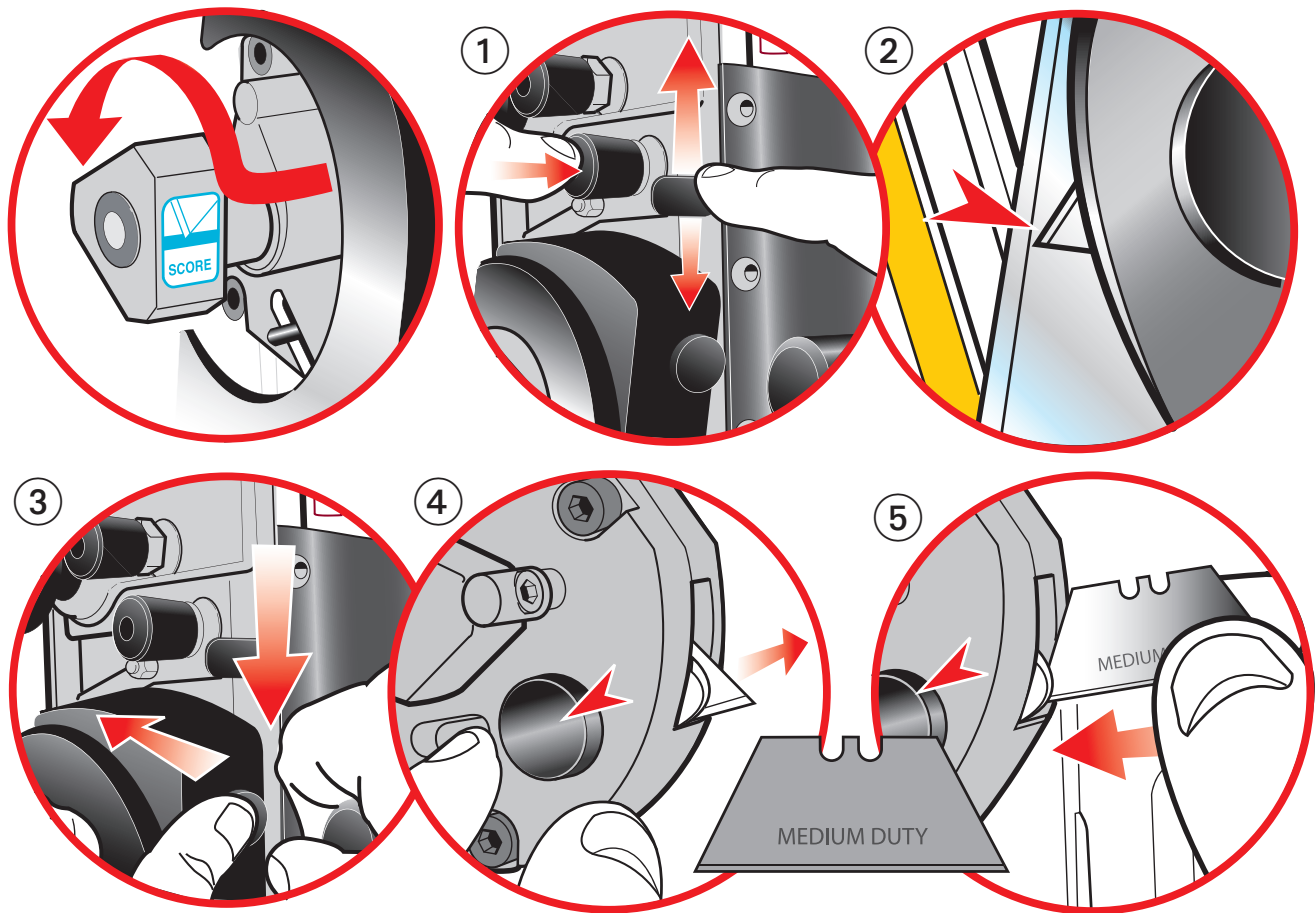
Changing the Cutting Blade

Unlock and swing down the cutter guard, rotate the turret so the cutting blade is facing towards you.

3. Undo the blade clamping screw a number of turns to release the blade.
4. Change or turn over the blade, insert it back into the turret as far as it will go. Tighten the blade clamping screw, the safety pin will engage to hold the blade in position. At this point the position of the Blade Support Plates can be adjusted to suit the thickness of material being cut, further tightening of the screw will clamp the blade firmly in position.

Rotate the turret back to the cutting position. Replace the guard ensuring it is locked closed.

The Scoring Blade



The scoring blade is designed to score Acrylics, Plexiglass and other similar rigid plastics. Trials should be carried out on scrap materials first to ensure you obtain the required standard of cut.

Scoring/Breaking Technique

Select the Scoring Blade position on the turret and clamp the material in the machine.

1. Disengage the Ratchet. Depress the Ratchet Lever and prevent it from engaging when released by depressing the ratchet Lock Button. The Multi-cutter will move freely.
2. Clamp the target plastic in the machine. Starting at the top using a thumb depress the Multi-cutter head so that the blade touches the plastic at the top.
3. Apply thumb pressure to the cutter and draw the blade down the material in one continuous motion.

Remove the plastic from the machine and snap it by hand.

CAUTION: USE GLOVES AND SAFETY GLASSES WHEN SNAPPING PLASTIC

Changing the Scoring blade

Unlock and swing down the cutter guard, rotate the turret so the scoring blade is facing towards you.

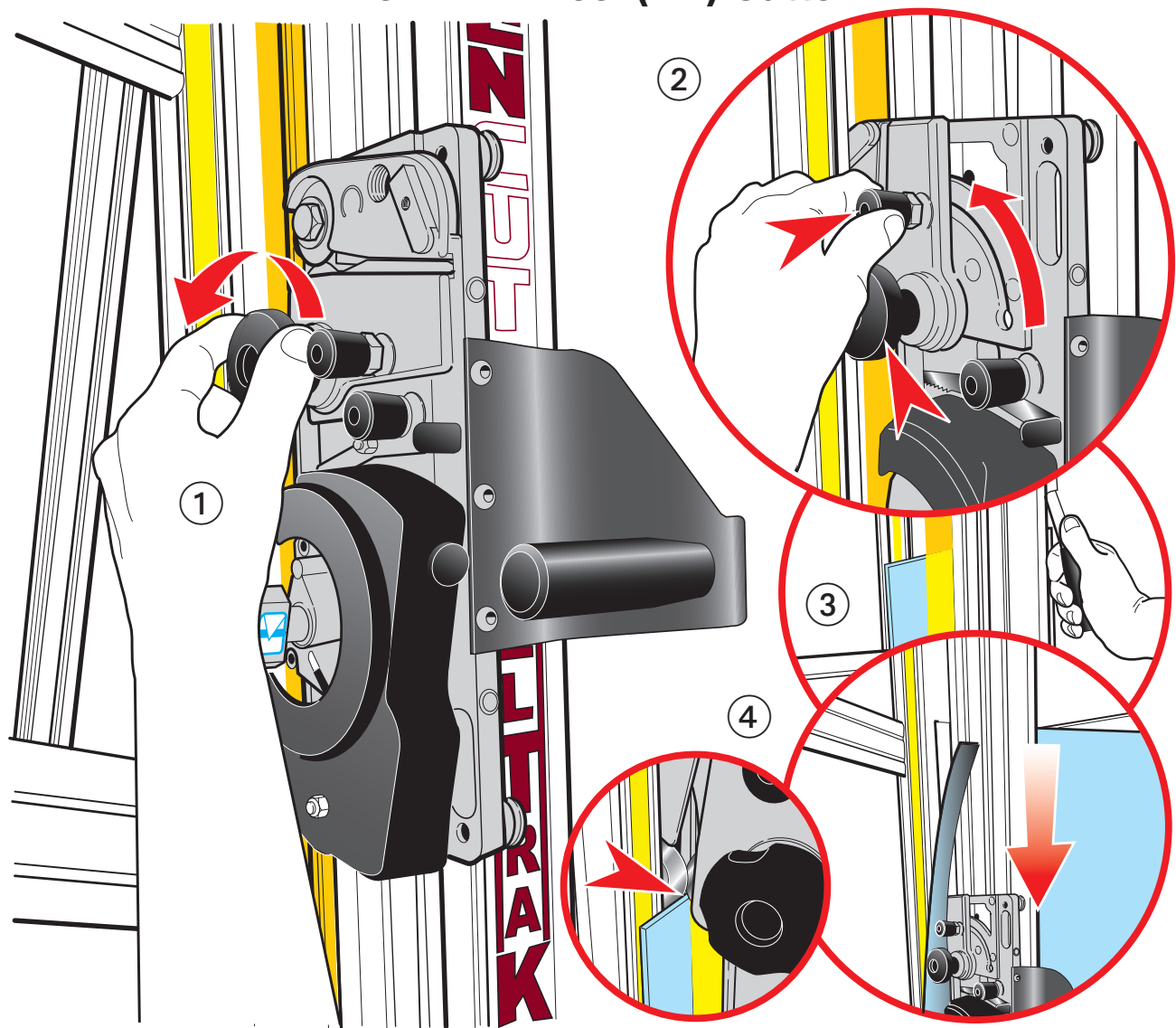
4. Release the blade clamping screw. Eject the blade using the black ejector pin
5. Replace the blade to the right of the clamping plate, push the blade in as far as it will go and tighten the blade clamping screw.

Rotate the turret back to the cutting position. Replace the guard ensuring it is locked closed.

Glass Cutting

An optional Glass Cutting Kit will be required to use this facility, operating instructions for glass cutting are not included in this manual but are supplied with the Glass Cutting Kit.

The Twin Wheel (TW) Cutter



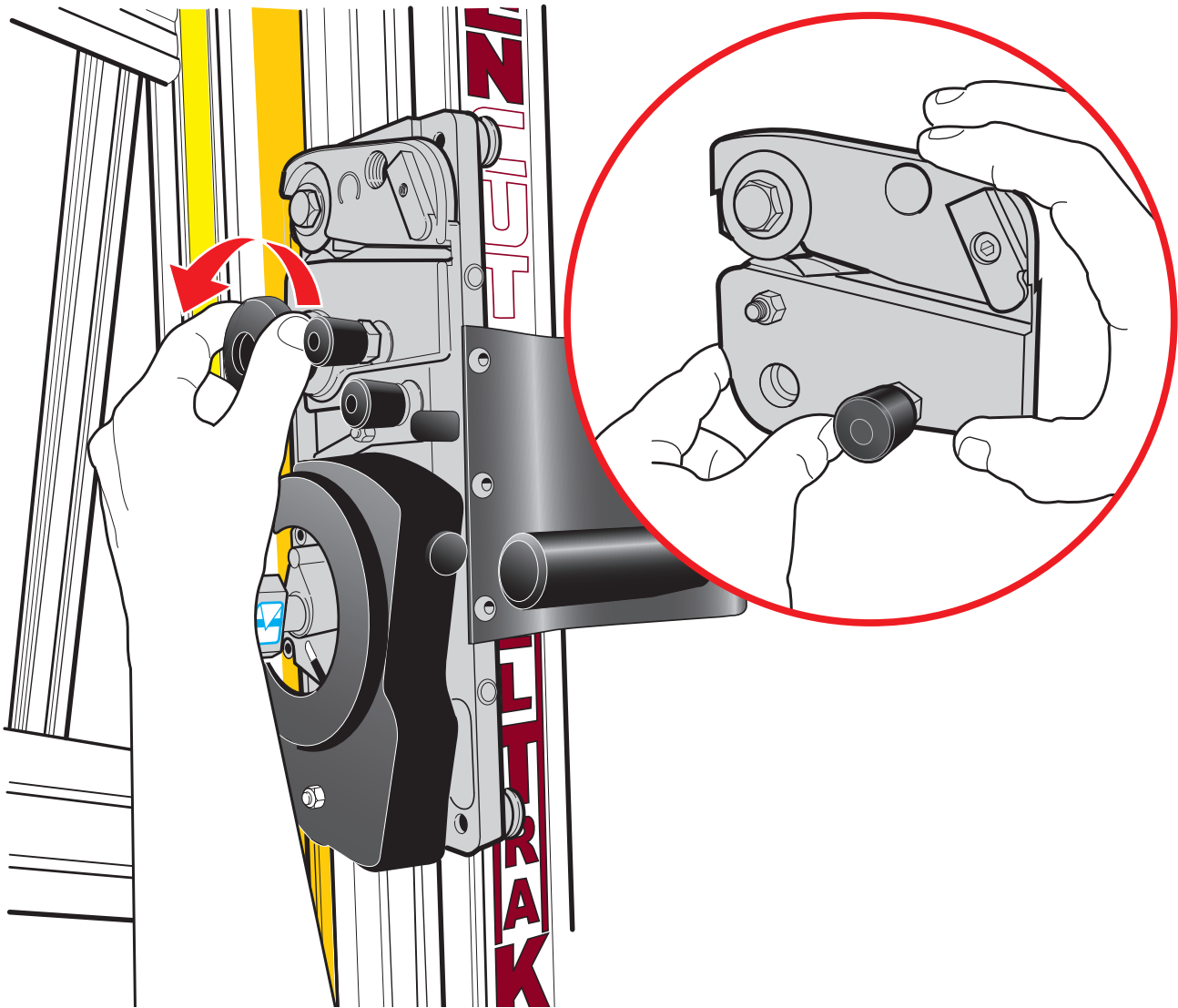
The Twin Wheel Cutter is mounted on the upper part of the cutting head and is used for cutting a range of tough, rigid materials. The standard machine is fitted with the Composite TW Cutter and is used for cutting composite boards such as Dibond® and other materials including MDF, Masonite and Hardboard up to 4mm. Many other softer boards and card can also be cut, trials should be carried out to ensure the desired quality of cut is obtained.

1. Engage the TW cutter by loosening the large hand knob (1/4 turn).
2. Depress the locking button and rotate the cutter 90 degrees until the locking button springs out to its rest position, tighten the hand knob firmly.

NOTE: The TW cutter will interfere with the Sightline Strip as it is being engaged, either engage the cutter at the top end of the machine or cut away a portion of the sightline strip at a convenient height (e.g. adjacent to the clamp handle) and move the cutter to this position for engaging/disengaging.

3. Ensure the TW cutter is above the height of the top edge of the board, position the material in the machine and apply the clamp.
4. Bring the twin wheel cutter down until it makes contact with the top edge of the material and stop. Take a firm grip and then push the cutter down through the material without stopping.

The Twin Wheel (TW) Cutter



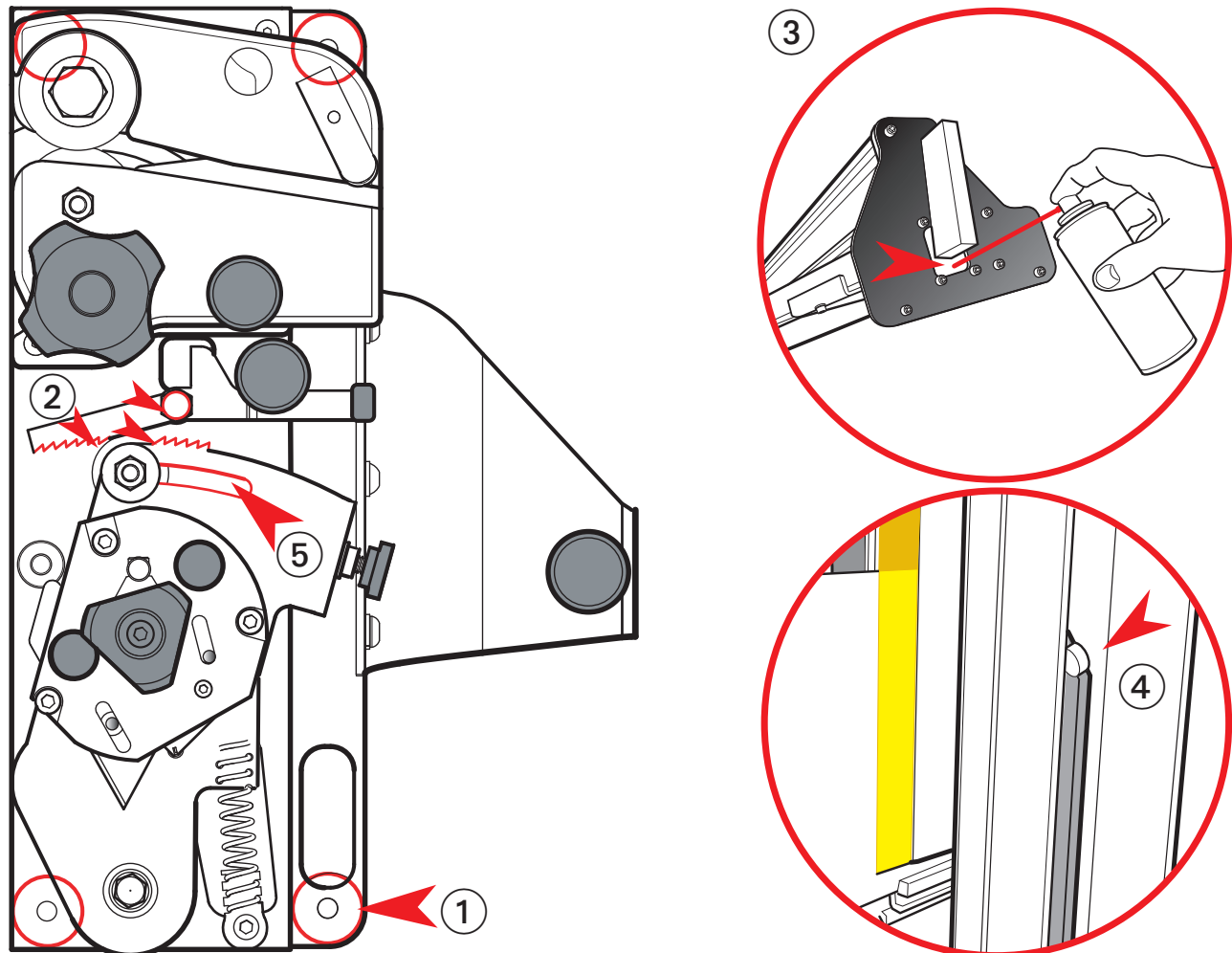
The cutting wheels are made from high grade tool steel and are heat treated to give a long life but this is dependant upon daily use and the materials being cut. The signs of the wheels wearing out are:

A rough finish predominately on the right hand side of the cut, with flaking on materials such as MDF.

The board trying to turn under the clamp when being cut (also check the clamp pressure).

Changing the twin wheel cutter

Hold the TW cutter onto the Cutting Head whilst unscrewing the large hand knob. Once the hand knob has been removed the TW cutter can be lifted free. Reverse the procedure to fit the replacement TW cutter ensuring it is properly located against its mounting plate before fastening the hand knob.



Cleaning

Keencut design machines to be as maintenance free as possible, however we do recommend regular cleaning. Do not wipe the squaring arm channels or remove any debris with fingers, as it may contain sharp particles such as glass. Use a vacuum cleaner if possible or if a soft brush is used, work slowly and do not allow particles to flick off of the bristles.

Lubrication

It is important that the correct lubrication is used as ordinary oils and solvents can adversely affect plastics, the diagram above shows the best lubricants for the various parts of the machine. Do not use penetrating oils for lubrication on this machine.

1. Guide rods and rollers

Wipe using cleaning solvent on a cloth, and lubricate the surfaces very lightly with petroleum jelly. The axles of the rollers are lubricated and sealed for life and need no further attention.

2. Ratchet system

Use a light oil (3 in 1), one or two drops on the pivot point and one drop on the ratchet teeth

3. Balance weight

Silicon Lubricant sprayed in from the top of the balance weight opening whilst the cutting head is parked at the top of the machine

4. Ratchet release bar

Smear edge with petroleum jelly

5. Swinging Arm

Petroleum jelly around curved slot.

The Clamp

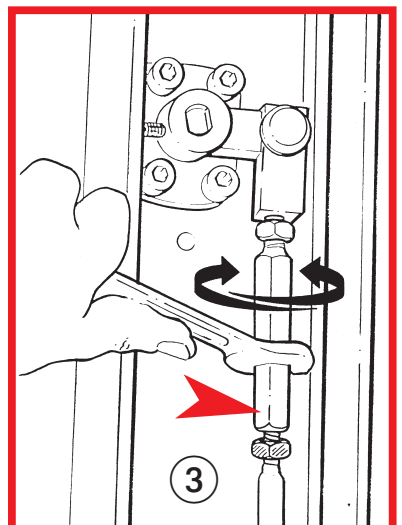
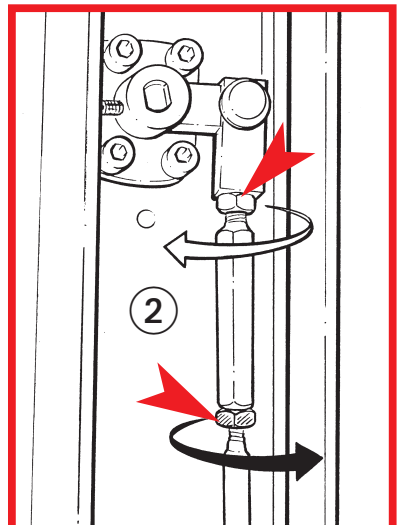
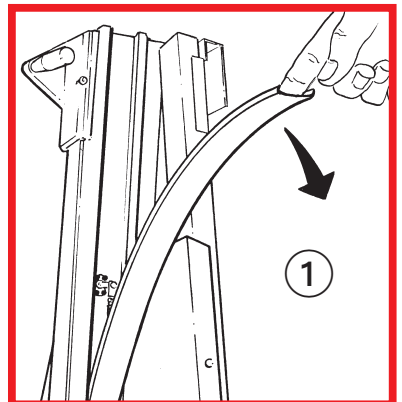
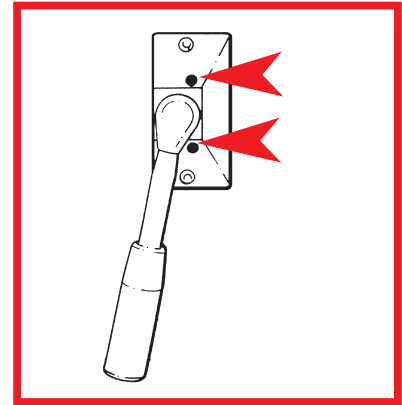
Adjusting the Clamping Pressure

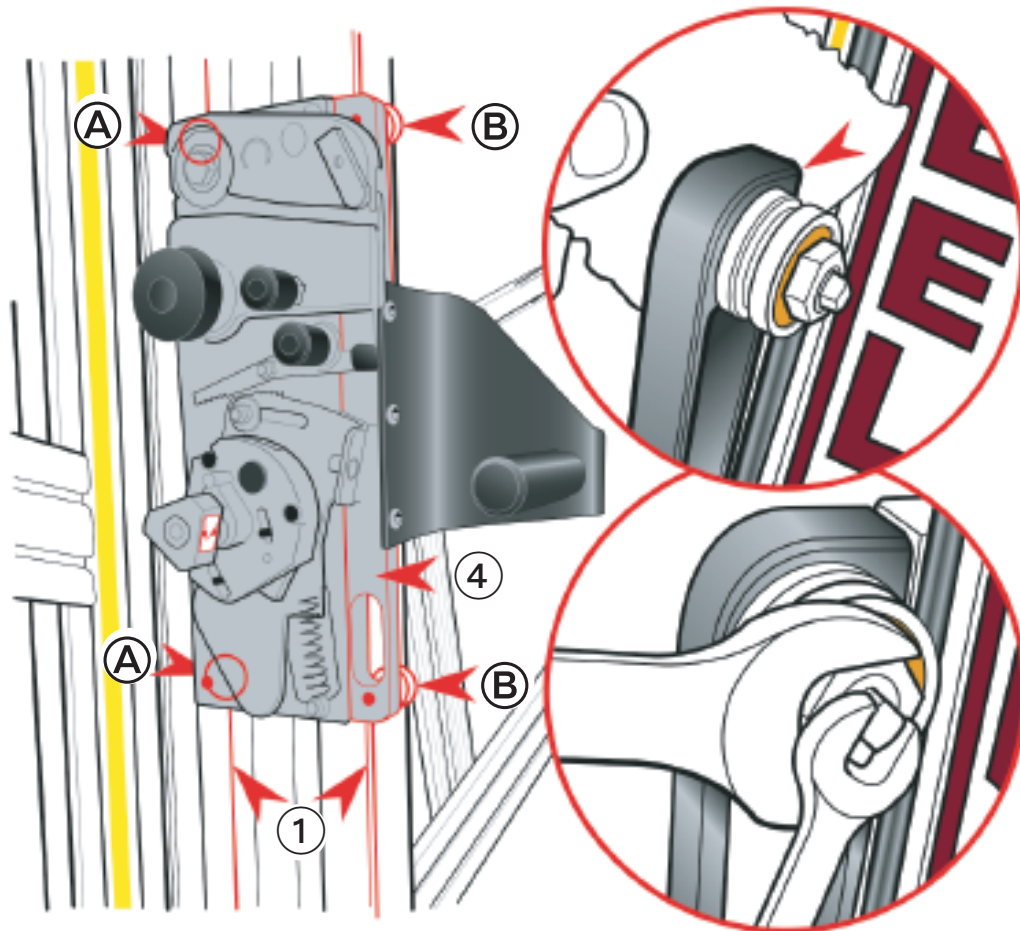
The pressure of the clamp is in relation to the amount of pressure applied to the operating handle. However in time the maximum clamping pressure can reduce due to wear on the friction block (hidden within the machine), compensation for this can be made by adjusting the two small grub screws in the housing as shown. Turning the screws clockwise until they stop moving them undoing them one full turn should give an acceptable pressure, but further small adjustment can be made to increase or decrease the pressure as required. Care should be taken not to tighten either grub screw fully or this will result in undue wear of the friction plate.

Clamp Alignment

When cutting tough materials it is essential that the clamping system operates at its' optimum, the moving clamp bar must press evenly onto the board being cut and not clamp it only at the top or bottom.

1. Open the clamp by at least 1-2mm and remove the plastic cover strip situated above the clamp handle it just clips out of place, use the end of a small steel rule to lever it from its' groove.
2. The clamp adjuster is at the top end of the push rod and is locked in position by two locking nuts.
 - The silver nut has a normal right-handed thread, slacken it using a 10mm wrench by turning it counter-clockwise when looking from below.
 - Now slacken the black nut, this has a left hand thread and should be turned clockwise when viewed from below.
 - The 'adjuster' is the hexagonal bar between the two nuts, by turning it with the spanner it alters the clamps alignment with the back of the machine.
3. Rotate the adjuster whilst observing the clamp from the side and bring the clamp into parallel.
4. To check for parallel use 2 pieces of A4 paper, place one under the bottom end of the clamp and hold the other at the top end whilst depressing the clamp handle, check that the clamp firmly grips pieces of paper.
5. Tighten the two locking nuts whilst holding the adjuster in position with the second spanner, then operate the clamp a few times, check and adjust further if necessary.
6. Finally, replace the plastic cover strip.





Guide Wheel Adjustment

The Cutting Head slides up and down on two stainless steel Guide Rails (1) that are embedded into the Slideway (2). There are four grooved Guide Wheels that run on the rails, the two furthest away are fixed (A) and the two closest are adjustable (B). These Guide Wheels are adjusted in the factory and should not under normal circumstances require re-adjustment. However, the adjustment check and procedure is listed in the event that the Cutting Head needs to be removed for any reason:

Adjustment Check:

The steel bar with the oval holes, the Spring Block (4), holds the two adjustable wheels and is designed to flex, a small amount, like a spring and add tension so the Guide Wheels are pressed onto the Rails. It is important that the tension is set correctly, use a 0.15mm (0.006") feeler gauge or a stout piece of paper to measure the gap under the Spring Block as shown. If the gap is too large or too small the adjacent wheel will need adjusting.

Wheel Adjustment:

The Shafts that the adjustable wheels run on are eccentric and move the wheel into or away from the rail as it is rotated.

- Using a 13mm spanner on the Locking Nut and a 5mm spanner (or grips) on the square end of the Shaft hold the Shaft still and loosen the Locking Nut by about half a turn.
- Rotate the Shaft clockwise whilst using a feeler gauge or paper as above to measure the gap under the Spring Block. If the Shaft will not rotate any further and the correct gap has not been achieved, turn it anti-clockwise and the correct adjustment should be obtained within one full rotation of the Shaft.
- When the correct gap appears hold the Shaft still and tighten the Locking Nut.

Planned Maintenance Chart

Frequency: After 2 weeks of use and then every month thereafter

Adjust clamp pressure (page 7.12.)	In the first few weeks the clamp will bed itself in and will need adjusting. See instructions on page 7.11.
Check clamp alignment (page 7.12.)	Using 2 pieces of A4 paper, place one under the bottom end of the clamp and hold the other at the top end whilst depressing the clamp handle, check that the clamp firmly grips both pieces of paper. If not the clamp will need aligning as above.
Check guide wheel adjustment (page 7.13.)	This should never go out of adjustment but is wise to check.
Lubricate Guide rods & rollers (page 7.11.)	Wipe using cleaning solvent on a cloth, and lubricate the surfaces very lightly with petroleum jelly. The axles of the rollers are lubricated and sealed for life and need no further attention.
Lubricate Ratchet system (page 7.11.)	Use a light oil (3 in 1), one or two drops on the pivot point and one drop on the ratchet teeth
Lubricate Balance weight (page 7.11.)	Silicon Lubricant sprayed in from the top of the balance weight opening whilst the cutting head is parked at the top of the machine
Lubricate Ratchet release bar (page 7.11.)	Smear edge with petroleum jelly
Lubricate Swinging Arm (page 7.11.)	Petroleum jelly around curved slot.