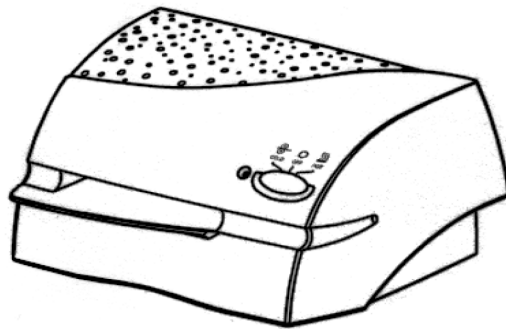
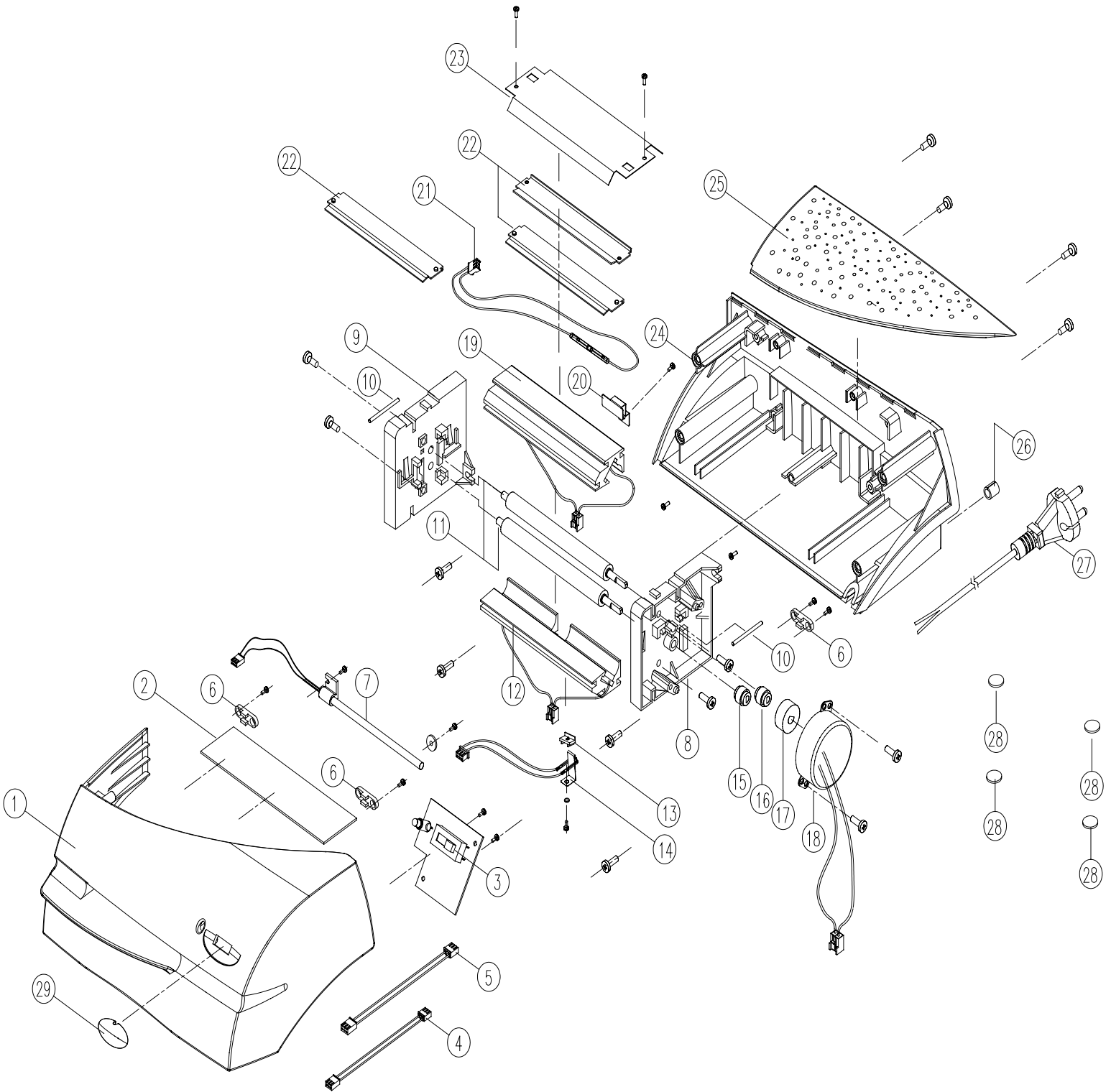


GBC DOCUSEAL 40P / HEATSEAL H - 100 LAMINATOR



PARTS LIST

Docuseal 40P



DOCUSEAL 40P
Parts list

ITEM	PART NUMBER	DESCRIPTION	QTY
1	24300013C	Front Housing	1
2	2A35008C	Main PCB 120V	1
2	2A35001C	Main PCB 230V	1
3	2A35002C	Control PCB	1
4	24700032C	PCB Connecting Wire (AC Link)	1
5	24700033C	PCB Connecting Wire (SWC)	1
6	23600006	Wire Retainer	3
7	2A35017C	LLG Assembly	1
8	24300016C	Right Side Plate	1
9	24300017C	Left Side Plate	1
10	26500003C	Roller Tension Spring	2
11	24400004C	Roller	2
12	2A35010C	Lower Heat Platen Ass'y 120V	1
12	2A35006C	Lower Heat Platen Ass'y 230V	1
13	26300012C	Pad	1
14	2A35007C	NTC Fixture	1
15	26700055	Roller Gear 12 T	1
16	26700054	Roller Gear 12 T	1
17	24300003C	Roller Gear 21 T	1
18	24700014C	Motor 120V	1
18	24700029C	Motor 230V	1
19	2A35009C	Upper Heat Platen Ass'y 120V	1
19	2A35005C	Upper Heat Platen Ass'y 230V	1
20	24500025C	Fuse Fixture	1
21	26700056	Motor Gear	1

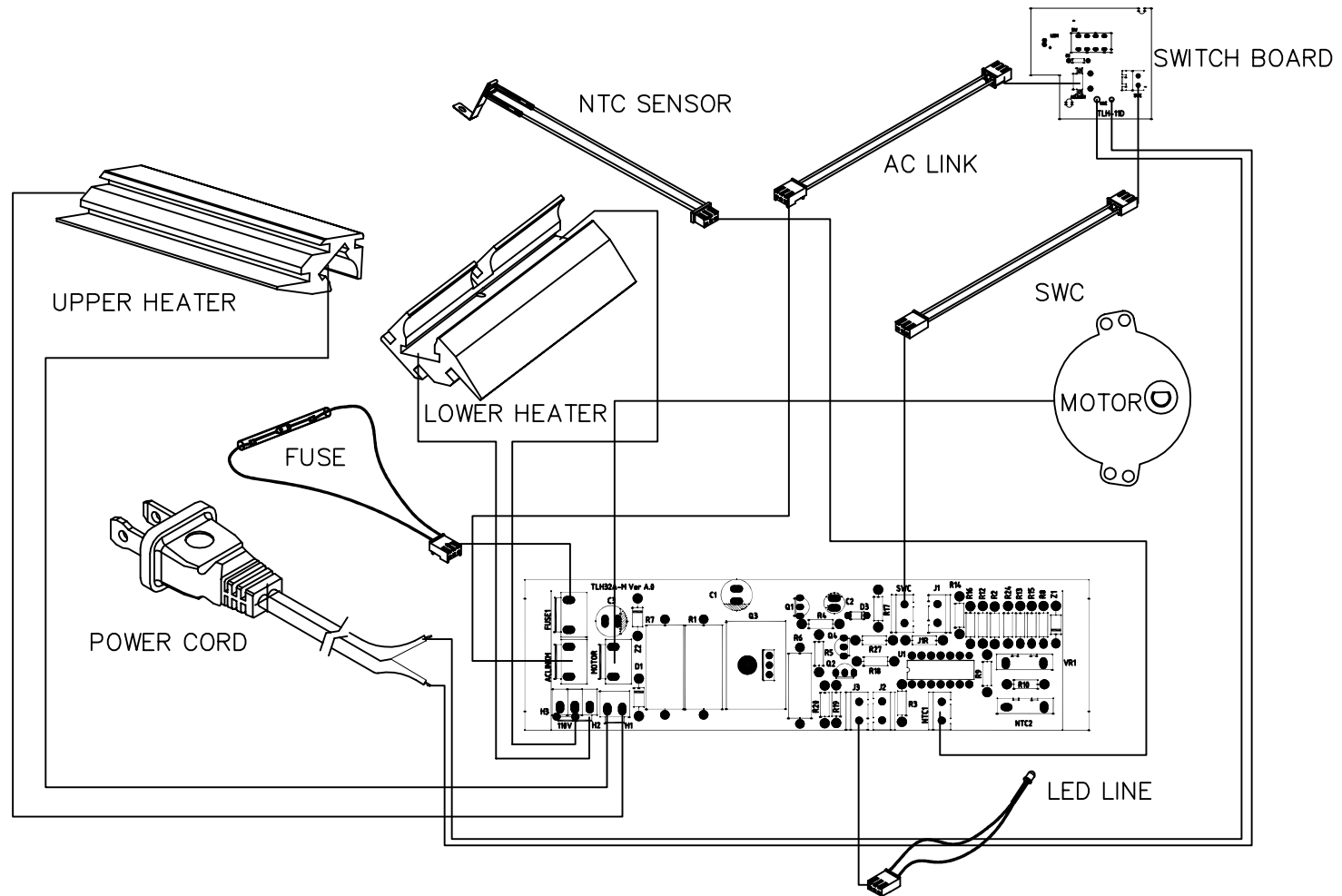
DOCUSEAL 40P
Parts list

	PART NUMBER	DESCRIPTION	QTY
21	24700053C	Thermal Fuse 120 V	2
21	24700053C	Thermal Fuse 230V	1
22	24500019C	Exit Plate 120V	2
22	24500019C	Exit Plate 230V	3
23	24500020C	Heat Shield	1
24	24300014C	Rear Housing	1
25	24300015C	Top Vent Cover	1
26	26400002C	Power Cord Retainer 120V	1
26	26400003C	Power Cord Retainer 230V	1
27	24100012C	Power Cord, US	1
27	24100032C	Power Cord, Euro	1
27	24100016C	Power Cord, UK	1
27	24100022C	Power Cord, Australia	1
28	26400005C	Rubber Foot	4
29	26300015C	Function Switch Cap	1
30	2A35014C	Starter Kit, 120V	1
30	2A35015C	Starter Kit, 230V	1
31	26200032C	Instruction Manual, 120V	1
31	26200033C	Instruction Manual, 230V	1
32	24200048C	Bubble Bag	1
33	24200033C	Machine Box, 120V	1

DOCUSEAL 40P
Parts list

33	24200034C	Machine Box, 230V	1
34	24200042C	Master Box	1
35	26200111C	Starburst Label, 120V	1

DOCUSEAL 40P 120V



DOCUSEAL 40P 230V

