

---

*Falcon 60 C*  
*Illustrated Parts Booklet*  
*( 9300962 )*

---

---

© May 2001 GENERAL BINDING CORPORATION. ALL RIGHTS RESERVED.  
Do not duplicate without written permission

**Booklet #: F60CPB001**

**GBC Films Group**  
**4151 Anderson Road**  
**DeForest, WI 53532**  
**Ph: ( 608 ) 246 - 8844**  
**Fx: ( 608 ) 246 - 8645**

---

**Table of Content**

<b>Drawing number :</b>	<b>Drawing Title:</b>	<b>Page number:</b>
091 - 001	Stand parts assembly	1 - 1
091 - 002	Chain drive assembly	1 - 2
091 - 003	Main roller mount assembly	1 - 3
091 - 004	Electrical component assembly	1 - 4
091 - 005	Electrical connections assembly	1 - 5
091 - 006	Final assembly	1 - 6
001 - 158	Upper unwind brake assembly	1 - 7
001 - 394	Powder coated Idler assembly	1 - 8
001 - 396	Lower unwind brake assembly	1 - 9
001 - 437	Force sensor magnet assembly	1 - 10
001 - 439	Rewind brake assembly	1 - 11
001 - 504	Sensor assembly	1 - 12
001 - 505	Force sensor assembly	1 - 13
001 - 509	Terminal block assembly	1 - 14
001 - 567	Wire duct set assembly	1 - 15
001 - 601	Core grip assembly, saddle side	1 - 16
001 - 602	Core grip assembly, pivot side	1 - 17
001 - 674	Control panel assembly	1 - 18
001 - 675	Electrical panel assembly	1 - 19
001 - 676	Accessory pack assembly	1 - 20

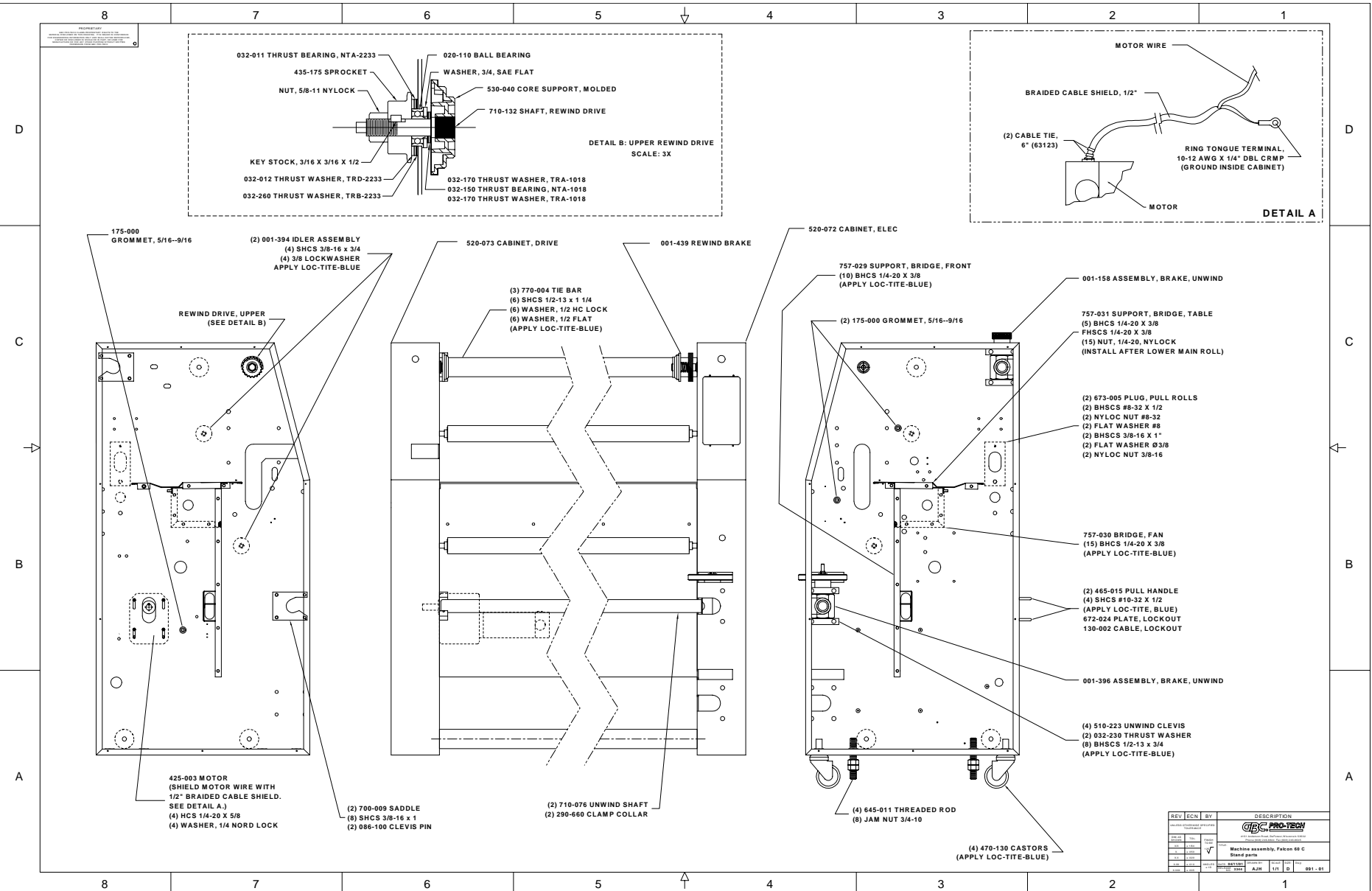
**Drawing number :**

**Drawing Title:**

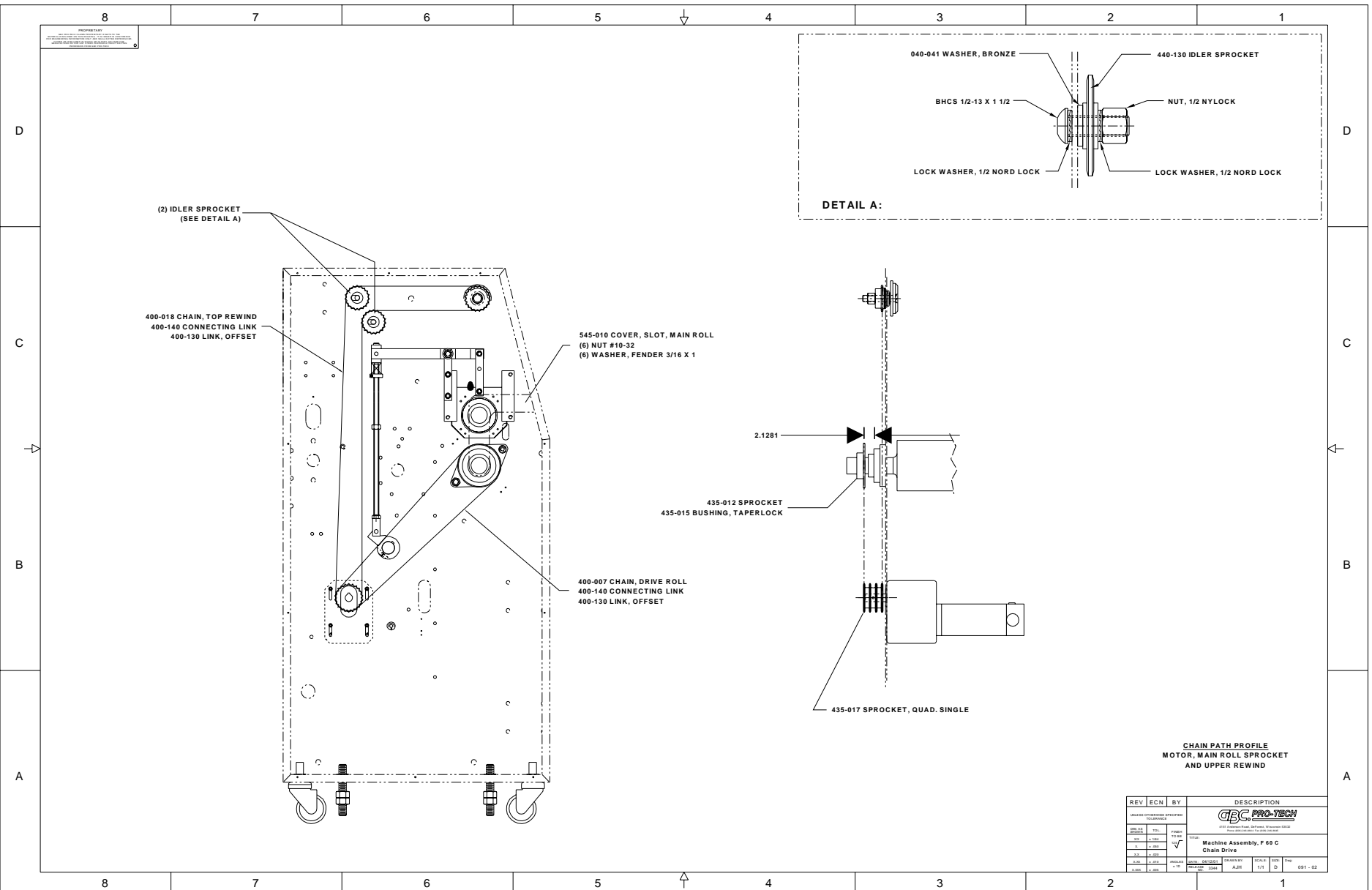
**Page number:**

---

*This page intentionally left blank.*



REV	ECN	BY	DESCRIPTION
001	001		Machine assembly, Falcon 60 C Stand parts
002	001		
003	001		
004	001		
005	001		
006	001		
007	001		
008	001		
009	001		
010	001		
011	001		
012	001		
013	001		
014	001		
015	001		
016	001		
017	001		
018	001		
019	001		
020	001		
021	001		



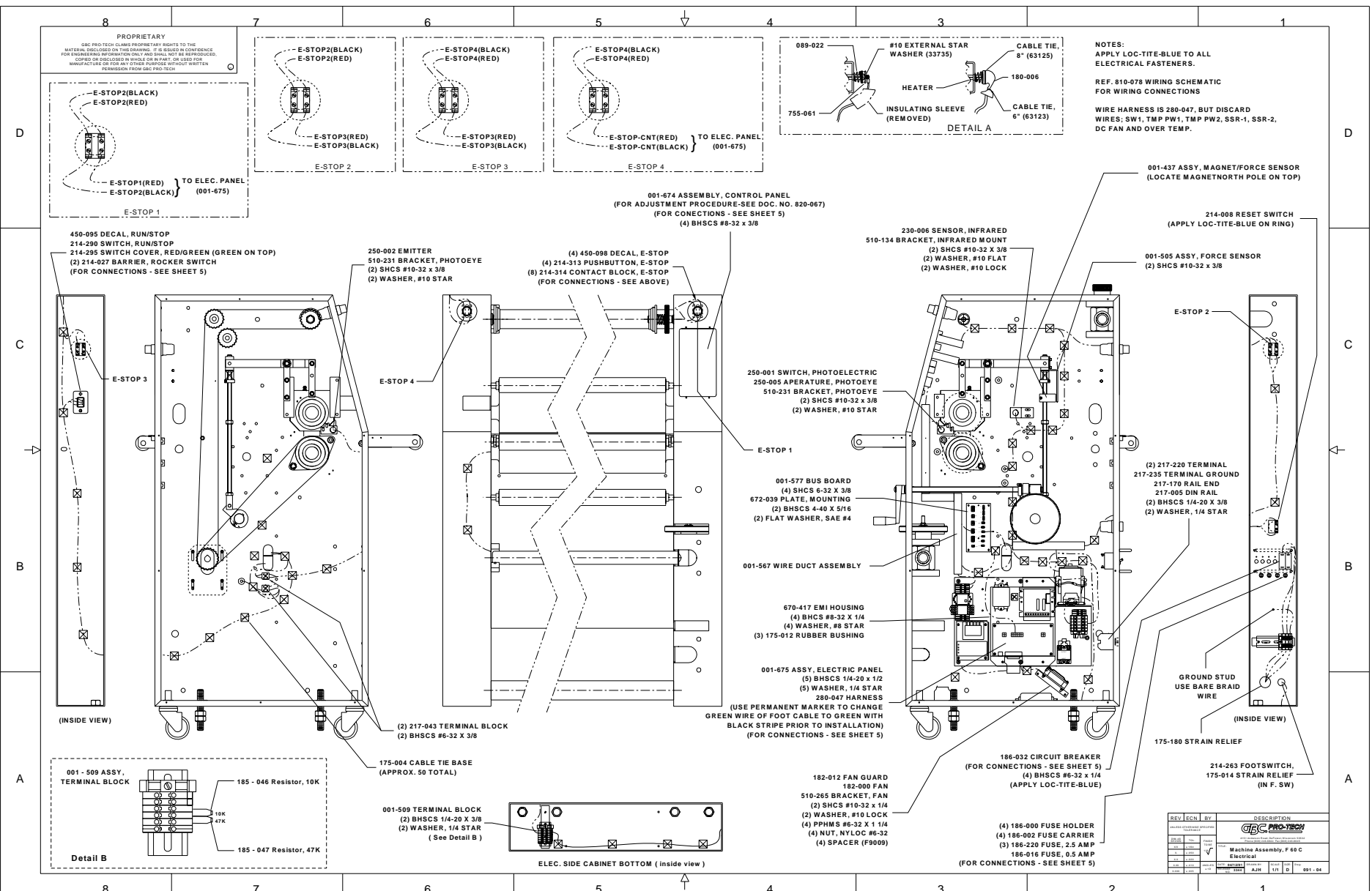
CHAIN PATH PROFILE  
MOTOR, MAIN ROLL SPROCKET  
AND UPPER REWIND

REV	ECN	BY	DESCRIPTION
1			RELEASE ENGINEERING SPECIFIED TOLERANCES
2			REVISED TO THE
3			✓
4			
5			
6			
7			
8			

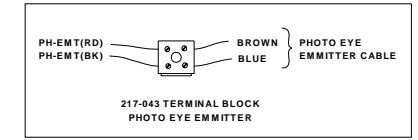
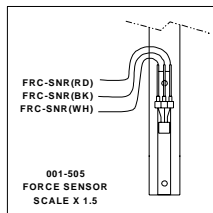
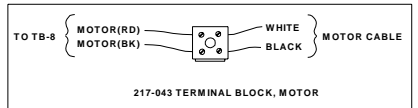
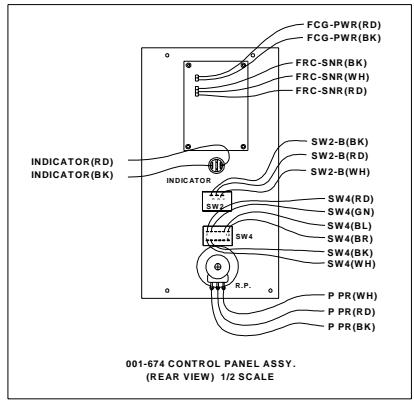
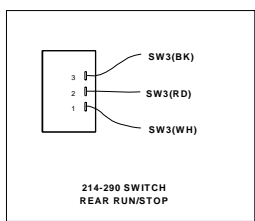
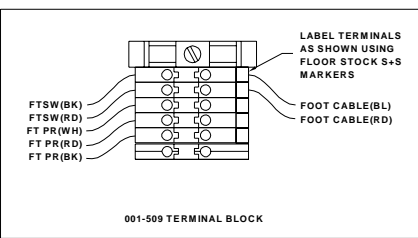
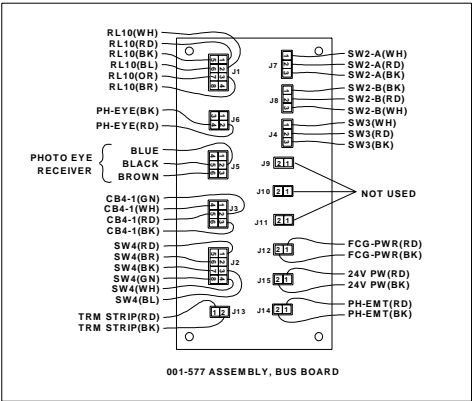
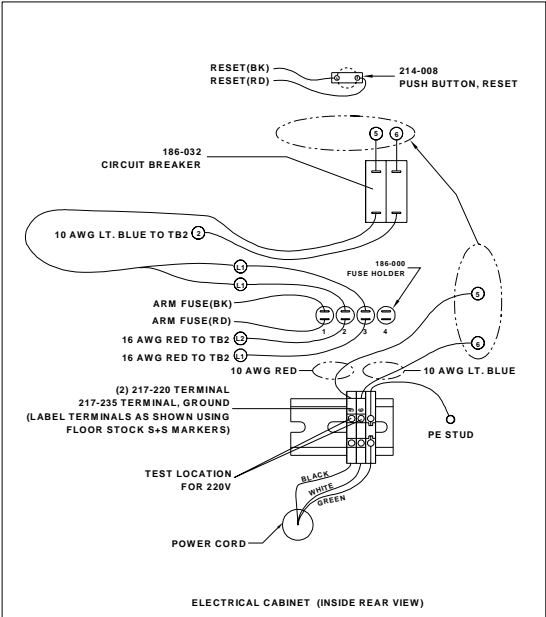
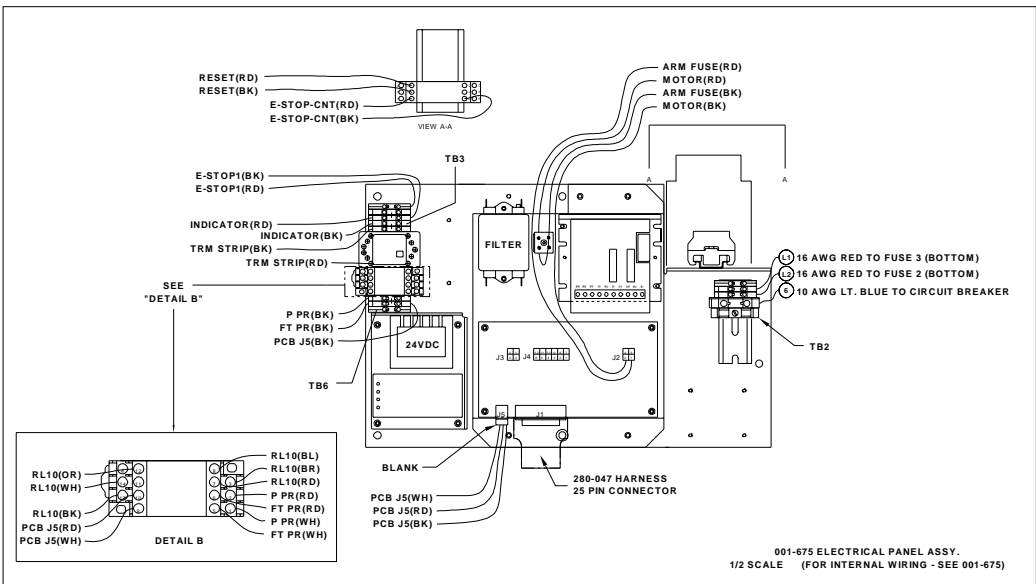
  

DATE	APPROVED	DATE	SCALE	DRW	CHK
10/10/00	10/10/00	10/10/00	1:1	D	D
10/10/00	10/10/00	10/10/00			
10/10/00	10/10/00	10/10/00			



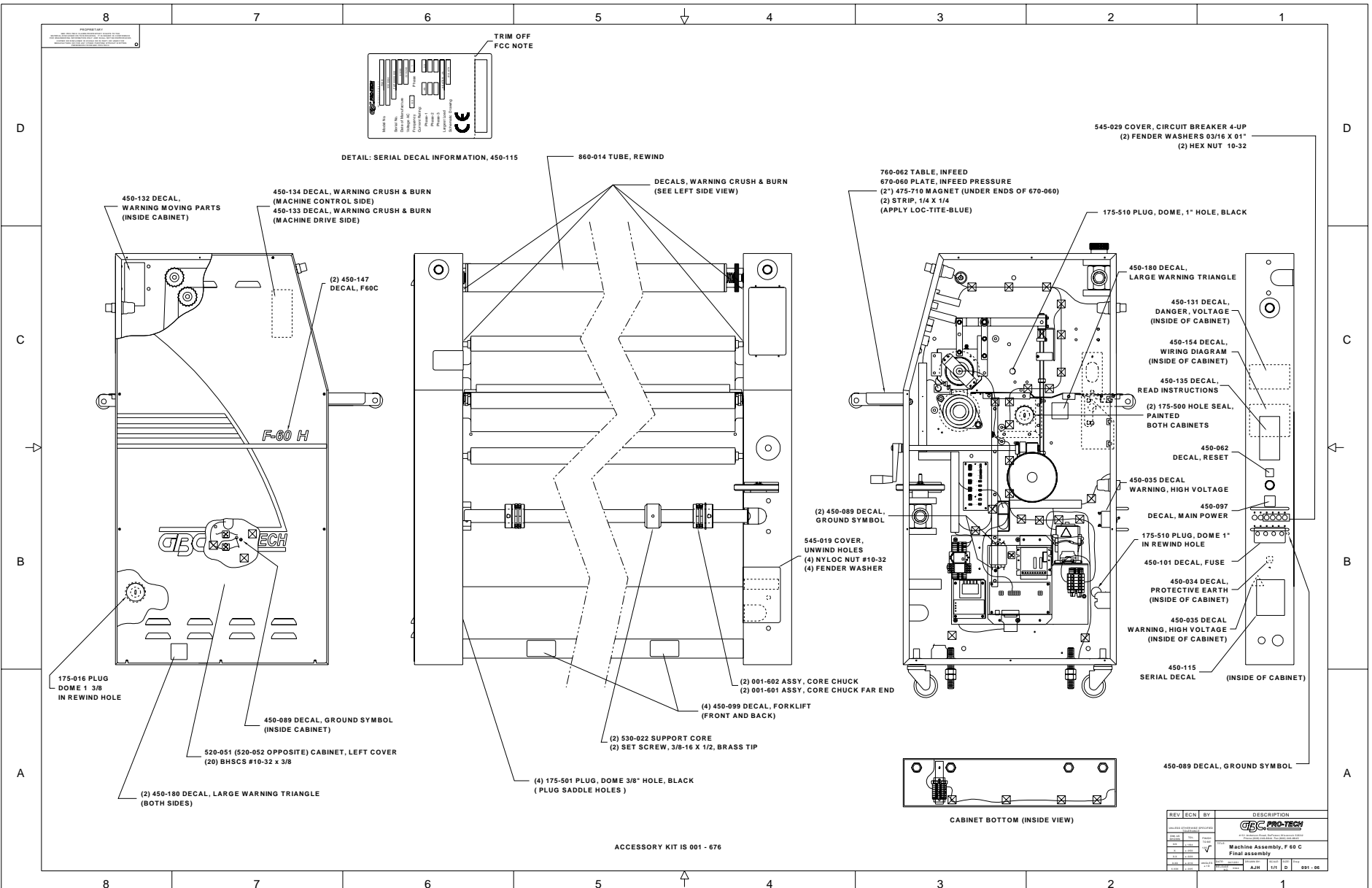


PROPRIETARY  
 No portion of this document may be reproduced, stored in a retrieval system, or transmitted in any form or by any means, electronic, mechanical, photocopying, recording, or by any information storage and retrieval system, without the prior written permission of GBC PRO-TECH.



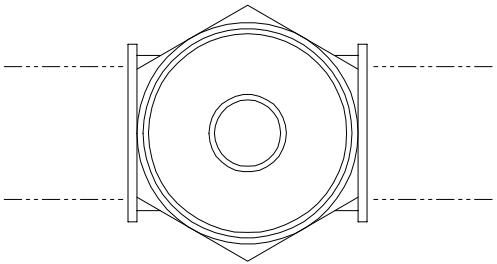
REV	ECN	BY	DESCRIPTION	
UNLESS OTHERWISE SPECIFIED TOLERANCE				
<b>GBC PRO-TECH</b>				
4151 Anderson Road, DeForest, Wisconsin 53532 Phone (800) 245-8844 Fax (608) 245-8845				
TITLE: Machine Assembly, F 60 C Electrical connections				
DIM. AS SHOWN	TOL.	FINISH TO BE	DATE: 04/12/01	SCALE: D
XX	+ .184	112	DRAWN BY: AJH	SIZE: Dwg
X	+ .050	✓	RELEASE NO. 3344	001 - 05
XX	+ .020			
XX	+ .010			
XX	+ .005			





REV	ECN	BY	DESCRIPTION
001			Machine Assembly, F 60 C
002			Final assembly
003			
004			
005			
006			
007			
008			
009			
010			
011			
012			
013			
014			
015			
016			
017			
018			
019			
020			
021			
022			
023			
024			
025			
026			
027			
028			
029			
030			
031			
032			
033			
034			
035			
036			
037			
038			
039			
040			
041			
042			
043			
044			
045			
046			
047			
048			
049			
050			
051			
052			
053			
054			
055			
056			
057			
058			
059			
060			
061			
062			
063			
064			
065			
066			
067			
068			
069			
070			
071			
072			
073			
074			
075			
076			
077			
078			
079			
080			
081			
082			
083			
084			
085			
086			
087			
088			
089			
090			
091			
092			
093			
094			
095			
096			
097			
098			
099			
100			

REQ'D	DESCRIPTION	PART NO.	ITEM
1	PIN, PIVOT, UNWIND	625-008	1
2	BUSHING, FLANGE, NYLON	500-006	2
1	HOUSING, BRAKE	625-022	3
1	ROLL PIN, 1/8 X 1-3/4	095-105	4
1	PISTON, BRAKE	625-019	5
4	SPRING, DISC, 3/4 X 1-1/2	089-009	6
1	PAD, BRAKE, TOP	625-020	7
1	PAD, BRAKE, BOTTOM	625-021	8
1	KNOB, ADJUSTMENT, BRAKE	465-020	9

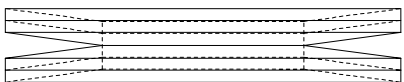
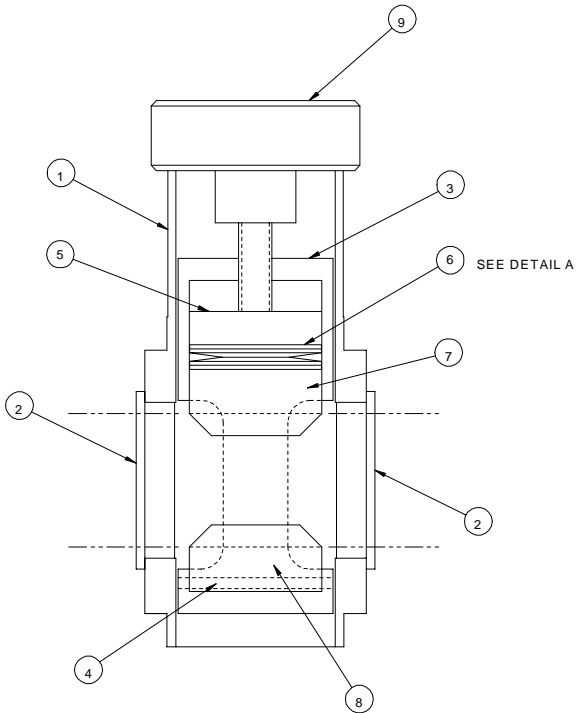
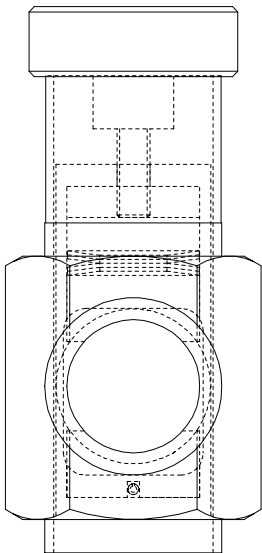


\* NOT PART OF THIS ASSEMBLY

510 - 223  
UNWIND CLEVIS

\* FOR PART NUMBER REFERENCE ONLY

510 - 223  
UNWIND CLEVIS



UDETAIL A  
DISC SPRING ORIENTATION

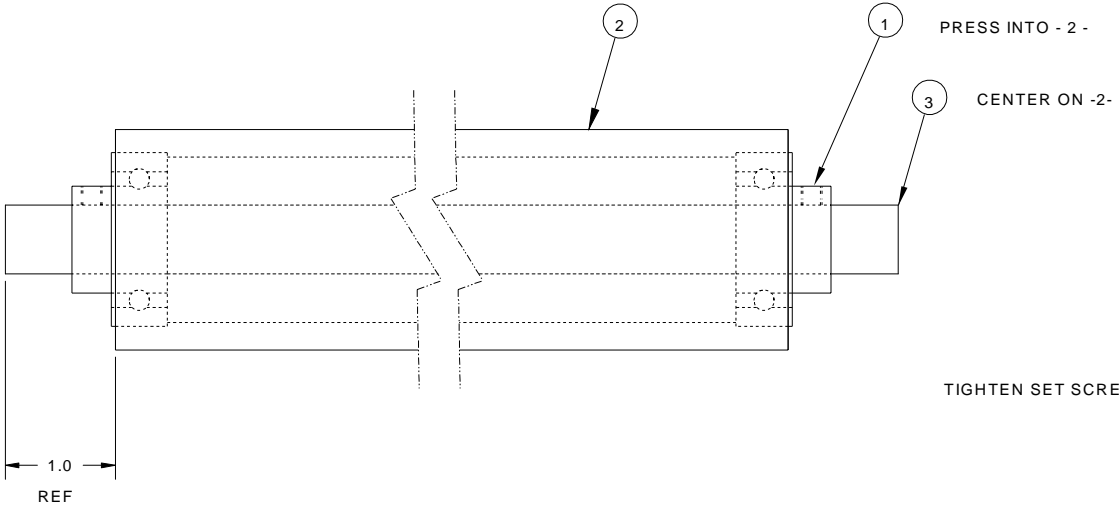
3X SCALE

QTY	2536	SHEET 1 OF 1		UNLESS OTHERWISE SPECIFIED TOLERANCE		FINISH TO BE		TITLE:	
BLP	2507	DIM. AS SHOWN	X/X	TOL.	F 1/64	1166	100	ASSEMBLY, BRAKE	
P.N.	1161	X	X		F .050	1161		F 60 C	
DATE	0937	X.X	X.X		F .020	0937		DATE: 11-15-94	
REV		X.XX	X.XXX		F .010			DRAWN BY: RAS	
					F .005			SCALE: 1/1	
								SIZE: C	
								Dwg: 001-158	
								RELEASE NO.	

**GBC PRO-TECH**  
4151 Anderson Road, DeForest, Wisconsin 53512  
Phone (608) 246-8844 Fax (608) 246-8845

REQ'D	DESCRIPTION	PART NO.	ITEM
2	BEARING, IDLER	020-100	1
1	IDLER, 2" X 64", POWDER COATED	620-406	2
1	SHAFT, IDLER ROLL	710-080	3

**PROPRIETARY**  
 GBC PRO-TECH CLAIMS PROPRIETARY RIGHTS TO THE MATERIAL DISCLOSED ON THIS DRAWING. IT IS ISSUED IN CONFIDENCE FOR ENGINEERING INFORMATION ONLY AND SHALL NOT BE REPRODUCED, COPIED OR DISCLOSED IN WHOLE OR IN PART, OR USED FOR MANUFACTURE OR FOR ANY OTHER PURPOSE WITHOUT WRITTEN PERMISSION FROM GBC PRO-TECH



Dwg: 3210		REV: 3183		SHEET 1 OF 1		 4151 Anderson Road, DeForest, Wisconsin 53532 Phone (608) 246-8844 Fax (608) 246-8645	
DATE: 11/16/99		APP: AJH		UNLESS OTHERWISE SPECIFIED TOLERANCE			
REV: A		REV: A		DIM AS SHOWN		FINISH TO BE	
				X.X P. 1/64		12°	
				X. P. .050			
				X.X P. .020			
				X.XX P. .010		ANGLES P 1D	
				X.XXX P. .005		DATE: 2-26-97	
						DRAWN BY: AJH	
						SCALE: 1/1	
						SIZE: B	
						Dwg: 001-394	
						RELEASE NO: 1236	

REQD	DESCRIPTION	PART NO.	ITEM
1	PIN, PIVOT, UNWIND	625-008	1
2	BUSHING, FLANGE, NYLON	500-006	2
1	HOUSING, BRAKE	625-022	3
1	ROLL PIN, 1/8 X 1-3/4	095-105	4
1	PISTON, BRAKE	625-019	5
4	SPRING, DISC, 3/4 X 1-1/2	089-009	6
1	PAD, BRAKE, TOP	625-020	7
1	PAD, BRAKE, BOTTOM	625-021	8
1	STUD	645-024	9
1	UNWIND DIAL	625-018	10
1	3/8 W ASHER	STK	11
1	3/8 NYLOC NUT	STK	12
1	3/8 NUT	STK	13

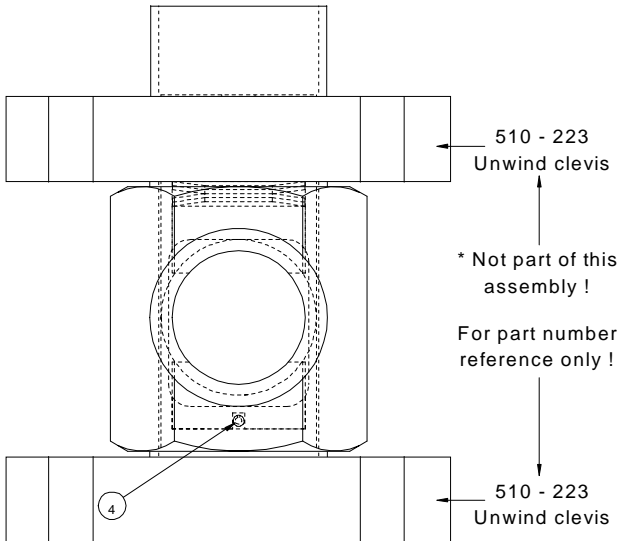
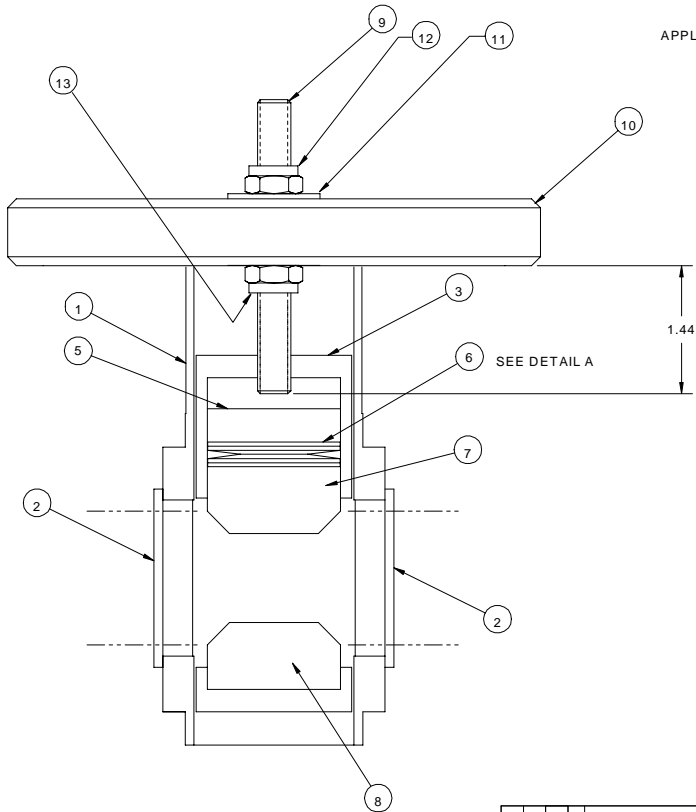
**PROPRIETARY**

GBC PRO-TECH CLAIMS PROPRIETARY RIGHTS TO THE MATERIAL DISCLOSED ON THIS DRAWING. IT IS ISSUED IN CONFIDENCE FOR ENGINEERING INFORMATION ONLY AND SHALL NOT BE REPRODUCED, COPIED OR DISCLOSED IN WHOLE OR IN PART, OR USED FOR MANUFACTURE OR FOR ANY OTHER PURPOSE WITHOUT WRITTEN PERMISSION FROM GBC PRO-TECH



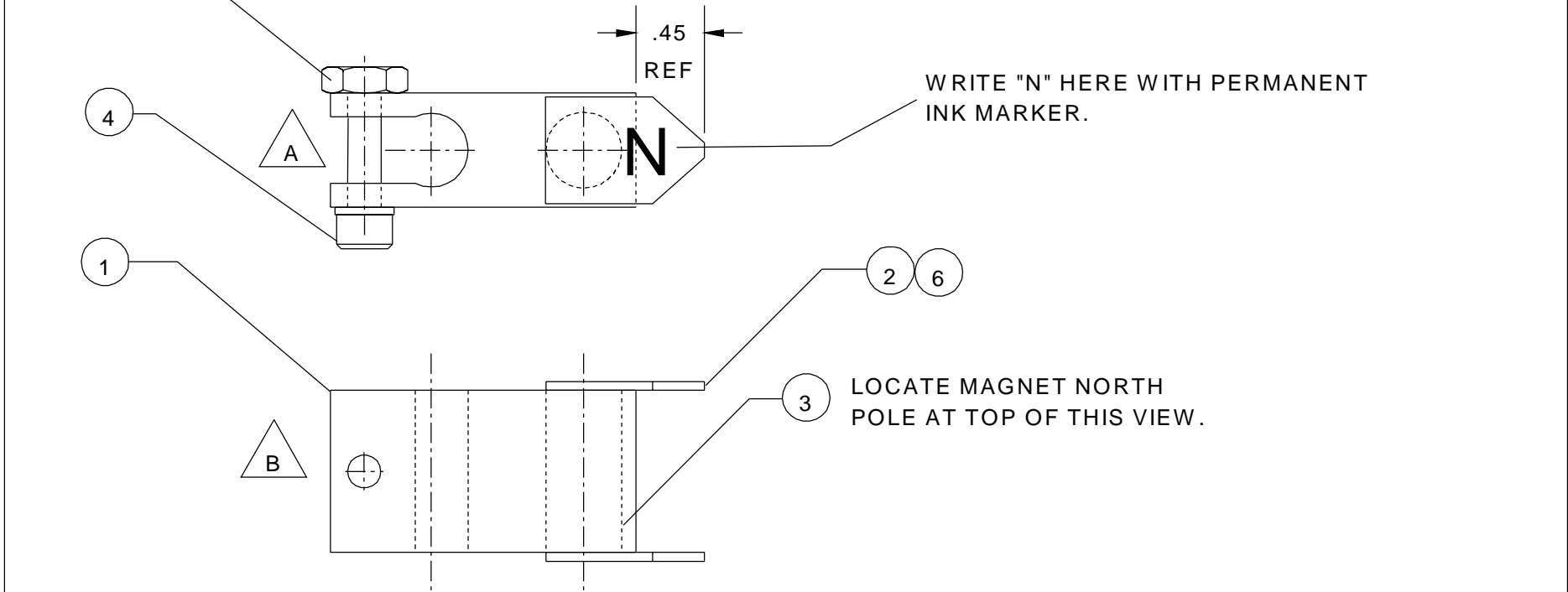
**UDETAIL A**  
DISC SPRING ORIENTATION  
3X SCALE

APPLY ANTI-SIEZE COMPOUND



SHEET 1 OF 1		UNLESS OTHERWISE SPECIFIED TOLERANCE		FINISH TO BE		TITLE:	
DIM. AS SHOWN	TOL.	1/16		1/16		ASSEMBLY, BRAKE	
.XX	P .164	.050		.020		F 60 C	
X	P .050	.010		.005		DATE: 2-24-97	
.XX	P .020	.005		.005		DRAWN BY: AJH	
X.XX	P .010	.005		.005		SCALE: 1/1	
X.XXX	P .005	.005		.005		SIZE: C	
ANGLES P 1D		RELEASE NO. 1231		Dwg: 001-396		GBC PRO-TECH	
4151 Anderson Road, DuPont, Wisconsin 53022		Phone (608) 246-8844 Fax (608) 246-8845					

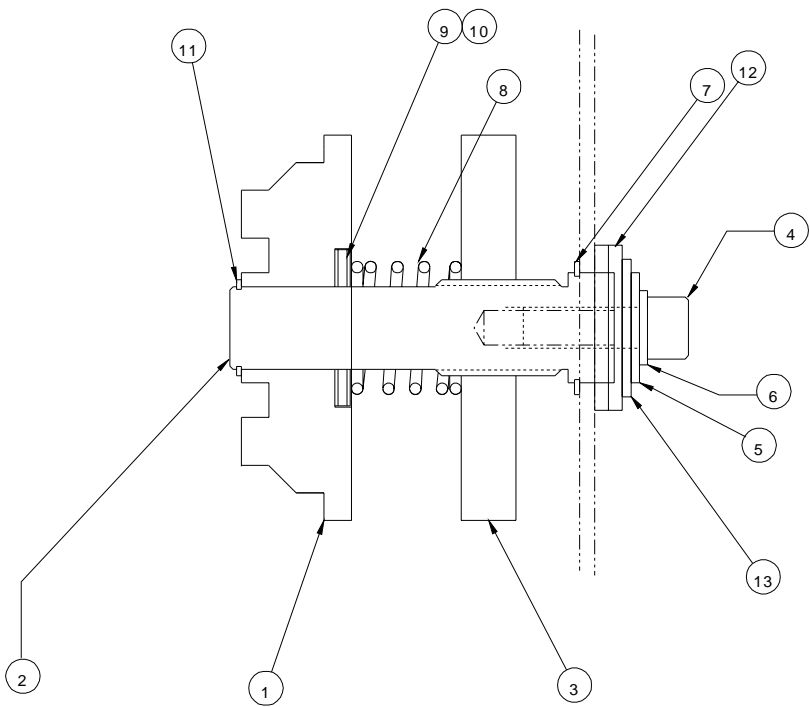
REQ'D	DESCRIPTION	PART NO.	ITEM
1	BRACKET, HALL SENSOR	510-226	1
2	PLATE	672-020	2
1	MAGNET	475-701	3
1	#10-32 SHCS	-	4
1	#10-32 NYLOC NUT	-	5
--	BLACK MAX 380 ADHESIVE	-	6



2799		2767		SHEET 1 OF 1						
AJH 6-3-97		AJH 5-19-97		UNLESS OTHERWISE SPECIFIED TOLERANCE		4151 Anderson Road, DeForest, Wisconsin 53532 Phone (608) 246-8844 Fax (608) 246-8645				
REVISION	B	A		DIM. AS SHOWN	TOL.	FINISH TO BE 125√	TITLE:			
				X/X	P 1/64		ASSY, MAGNET/FORCE SENSOR			
				X.	P .050		F 60 C			
				X.X	P .020		DATE: 4-22-97	DRAWN BY: AJH	SCALE: 1/1	SIZE: A
				X.XX	P .010	ANGLES P 1D	RELEASE NO. 1404			
				X.XXX	P .005					

REQ'D	DESCRIPTION	PART NO.	ITEM
1	PLUG, CLUTCH, ORCA I	X92-0112	1
1	SHAFT, REWIND, STANDOFF	X92-0113	2
1	KNOB, CLUTCH, KNURLED	625-007	3
1	3/8-16 X 1 LG SHCS	-	4
1	3/8 FLATWASHER	-	5
1	3/8 LOCKWASHER	-	6
1	SNAP RING, 1" SHAFT	090-140	7
1	SPRING, 1" ID X 3/8 LG	089-200	8
2	WASHER, THRUST, .030 THK	032-242	9
1	BEARING, THRUST	032-390	10
1	SNAP RING, 3/4 SHAFT, EXTERNAL	090-135	11
2	THRUST WASHER	032-300	12
1	USS F/W 7/16	-	13

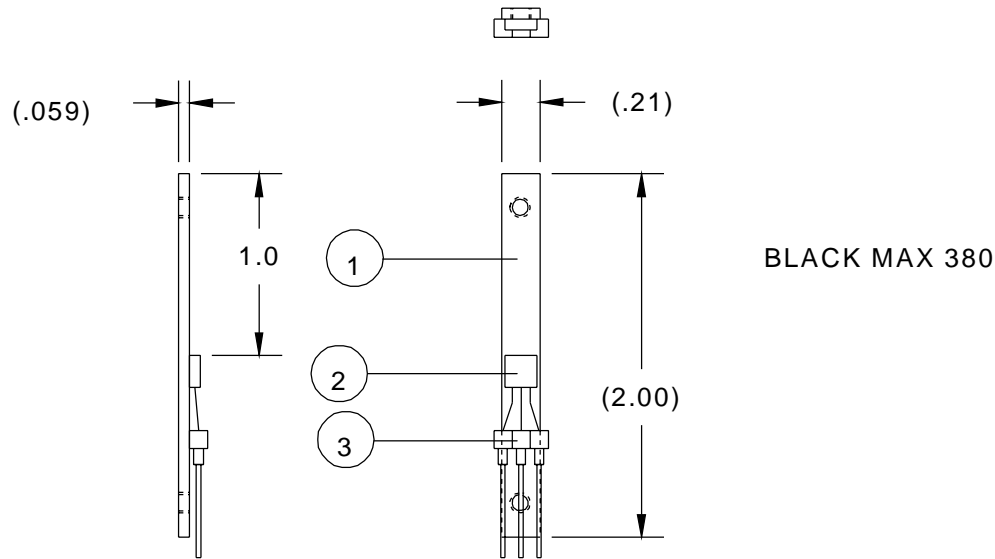
**PROPRIETARY**  
 GBC PRO-TECH CLAIMS PROPRIETARY RIGHTS TO THE MATERIAL DISCLOSED ON THIS DRAWING. IT IS ISSUED IN CONFIDENCE FOR ENGINEERING INFORMATION ONLY AND SHALL NOT BE REPRODUCED, COPIED OR DISCLOSED IN WHOLE OR IN PART, OR USED FOR MANUFACTURE OR FOR ANY OTHER PURPOSE WITHOUT WRITTEN PERMISSION FROM GBC PRO-TECH



SHEET 1 OF 1		UNLESS OTHERWISE SPECIFIED TOLERANCE		GBC PRO-TECH 4151 Anderson Road, DeForest, Wisconsin 53532 Phone (608) 246-8844 Fax (608) 246-8645	
DIM AS SHOWN	TOL.	FINISH TO BE	TITLE: <b>REWIND, BRAKE F 60 C</b>		
X/X	P 1/64	12 $\sqrt$	DATE:	DRAWN BY:	SCALE: SIZE: Dwg:
X	P .050		RELEASE NO. 1363	MAA	1:1 B 001-439
X.X	P .020		ANGLES P 1D		
X.XX	P .010				
X.XXX	P .005				

REQ'D	DESCRIPTION	PART NO.	ITEM
1	FLAT	672-021	1
1	TRANSDUCER,HALL EFFECT	185-007	2
1	TERMINAL 3 LEAD	217-001	3

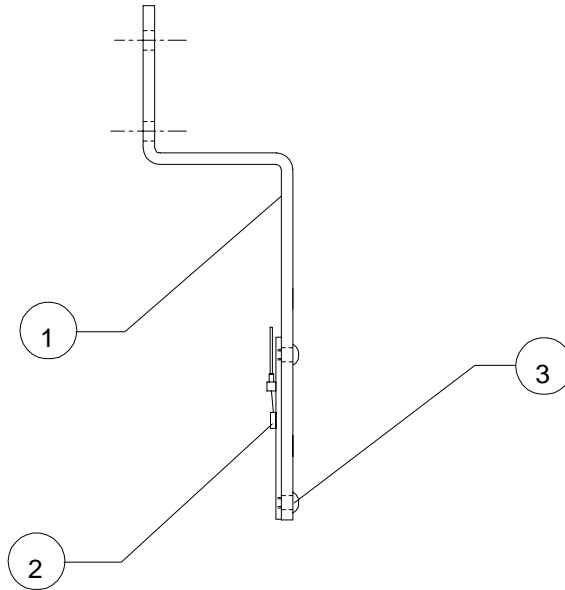
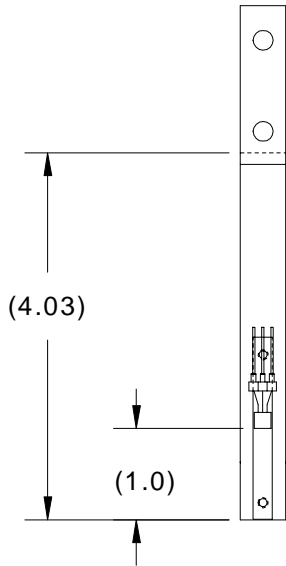
PROPRIETARY  
 GBC PRO-TECH CLAIMS PROPRIETARY RIGHTS TO THE  
 MATERIAL DISCLOSED ON THIS DRAWING. IT IS ISSUED IN CONFIDENCE  
 FOR ENGINEERING INFORMATION ONLY AND SHALL NOT BE REPRODUCED,  
 COPIED OR DISCLOSED IN WHOLE OR IN PART, OR USED FOR  
 MANUFACTURE OR FOR ANY OTHER PURPOSE WITHOUT WRITTEN  
 PERMISSION FROM GBC PRO-TECH



SHEET 1 OF 1			 4151 Anderson Road, DeForest, Wisconsin 53532 Phone (608) 246-8844 Fax (608) 246-8645			
UNLESS OTHERWISE SPECIFIED TOLERANCE						
REVISION	DIM. AS SHOWN	TOL.	FINISH TO BE	TITLE: <b>ASSEMBLY, SENSOR, FORCE F 60 C</b>		
	X/X	P 1/64	125√			
	X.	P .050				
	X.X	P .020				
	X.XX	P .010	ANGLES P 1D	DATE: 3/31/98	DRAWN BY: AJH	SCALE: 1/1
X.XXX	P .005		RELEASE NO. 1945		SIZE: A	Dwg: 001-504

PROPRIETARY  
 GBC PRO-TECH CLAIMS PROPRIETARY RIGHTS TO THE  
 MATERIAL DISCLOSED ON THIS DRAWING. IT IS ISSUED IN CONFIDENCE  
 FOR ENGINEERING INFORMATION ONLY AND SHALL NOT BE REPRODUCED,  
 COPIED OR DISCLOSED IN WHOLE OR IN PART, OR USED FOR  
 MANUFACTURE OR FOR ANY OTHER PURPOSE WITHOUT WRITTEN  
 PERMISSION FROM GBC PRO-TECH

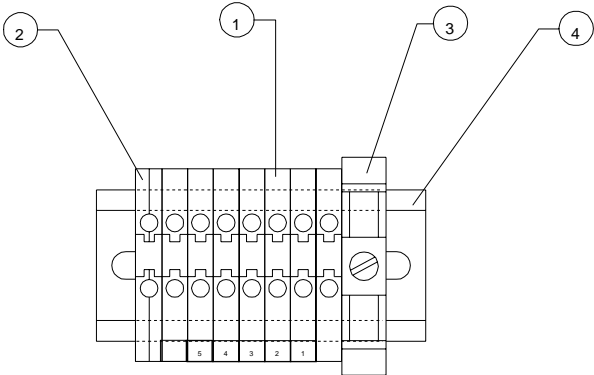
REQ'D	DESCRIPTION	PART NO.	ITEM
1	GUIDE BRACKET	595-012	1
1	TRANSDUCER ASSY	001-504	2
2	#4-40 x 1/8 BHSCS	STK	3



SHEET 1 OF 1			 4151 Anderson Road, DeForest, Wisconsin 53532 Phone (608) 246-8844 Fax (608) 246-8645			
UNLESS OTHERWISE SPECIFIED TOLERANCE						
REVISION	DIM. AS SHOWN	TOL.	FINISH TO BE 125√	TITLE: FORCE SENSOR ASSY F 60 C		
	X/X	P 1/64		DATE: 3/31/98	DRAWN BY: AJH	SCALE: 1:2
	X.	P .050		RELEASE NO. 1946	SIZE: A	Dwg: 001-505
	X.X	P .020	ANGLES P 1D			
	X.XX	P .010				
	X.XXX	P .005				

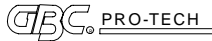


REQD	DESCRIPTION	PART NO.	ITEM
7	TERMINAL, GRAY, 4mm	217-120	1
1	TERMINAL,GROUND,4mm	217-140	2
1	RAIL END	217-170	3
1	DIN RAIL	217-033	4



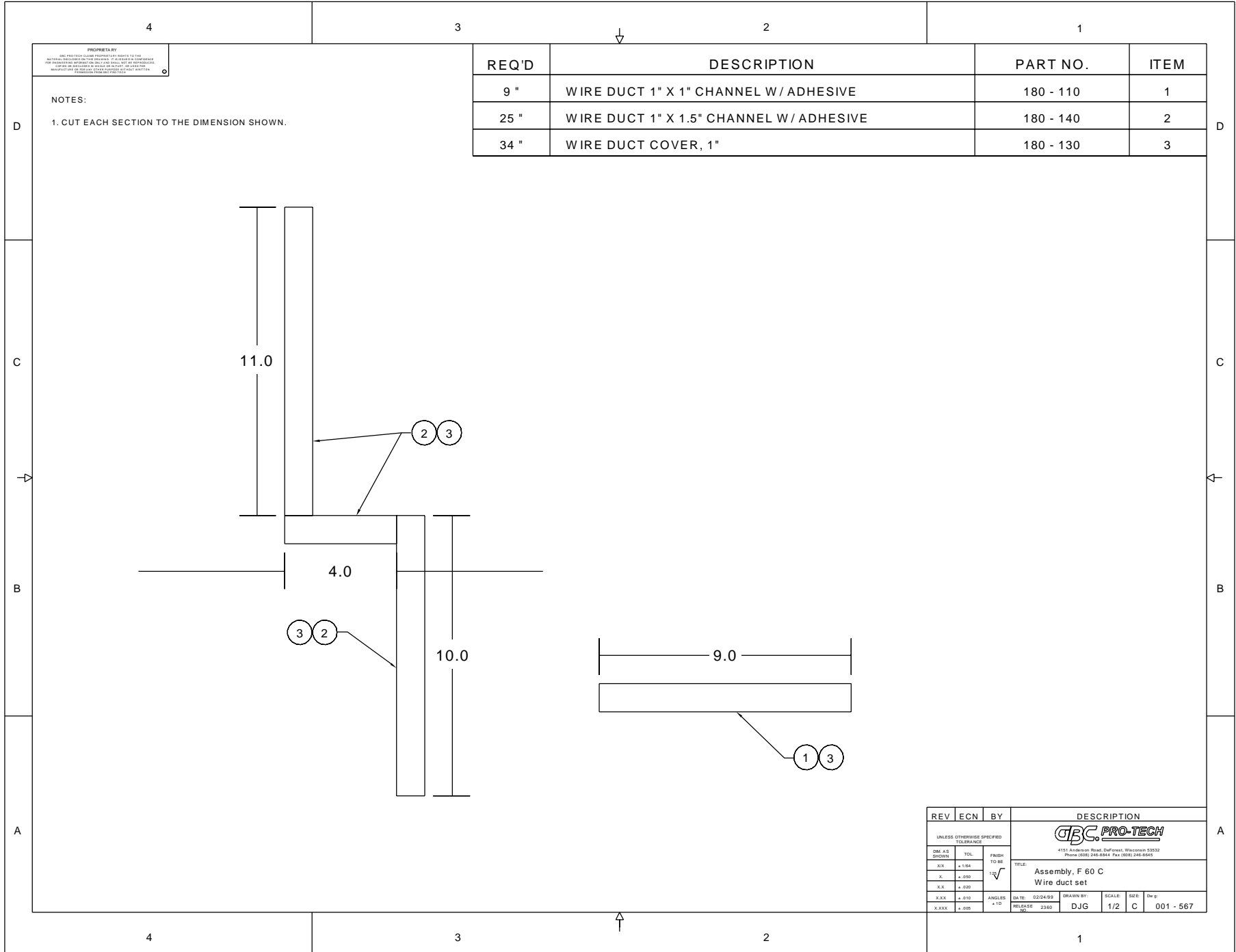
**PROPRIETARY**  
 GBC PRO-TECH CLAIMS PROPRIETARY RIGHTS TO THE MATERIAL DISCLOSED ON THIS DRAWING. IT IS ISSUED IN CONFIDENCE FOR ENGINEERING INFORMATION ONLY AND SHALL NOT BE REPRODUCED, COPIED OR DISCLOSED IN WHOLE OR IN PART, OR USED FOR MANUFACTURE OR FOR ANY OTHER PURPOSE WITHOUT WRITTEN PERMISSION FROM GBC PRO-TECH

SHEET 1 OF 1		UNLESS OTHERWISE SPECIFIED TOLERANCE		FINISH TO BE 125		DATE: 4/20/98		DRAWN BY: AJH		SCALE: 1/1		SIZE: B		Dwg: 001-509	
DIM. AS SHOWN	TOL.	X.X		P. 1/64		RELEASE NO. 1984		AJH		1/1		B		001-509	
X.X	P. .050	X.X		P. .020		RELEASE NO. 1984		AJH		1/1		B		001-509	
X.XX	P. .010	X.XXX		P. .005		RELEASE NO. 1984		AJH		1/1		B		001-509	
D.O. 3161		REVISION		FINISH TO BE 125		DATE: 4/20/98		DRAWN BY: AJH		SCALE: 1/1		SIZE: B		Dwg: 001-509	
A		A		ANGLES P 1 D		RELEASE NO. 1984		AJH		1/1		B		001-509	



4151 Anderson Road, DeForest, Wisconsin 53532  
 Phone (608) 246-8844 Fax (608) 246-8645

TITLE:  
**ASSEMBLY, TERMINAL BLOCK  
 F 60 C**

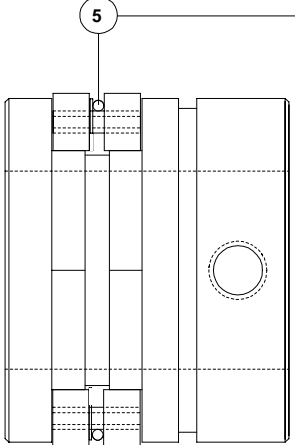
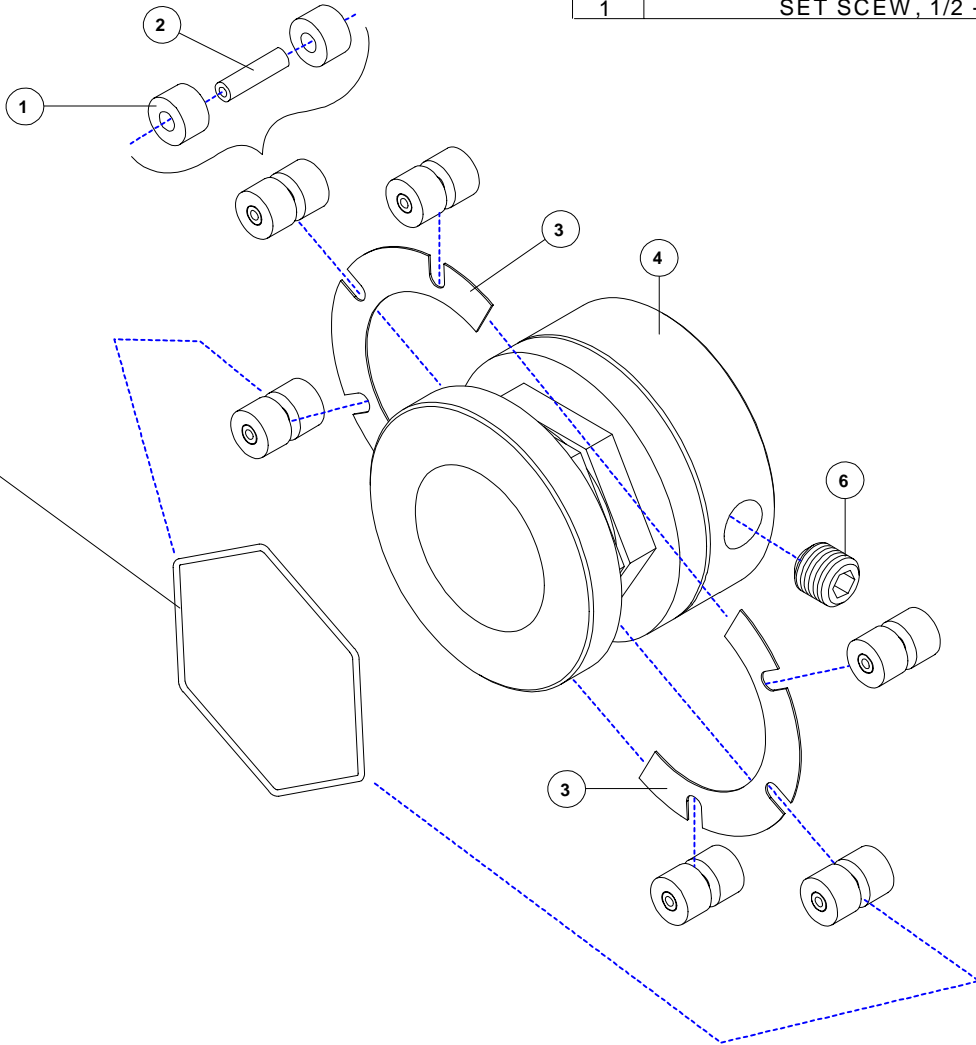


REQ'D	DESCRIPTION	PART NO.	ITEM
9 "	WIRE DUCT 1" X 1" CHANNEL W / ADHESIVE	180 - 110	1
25 "	WIRE DUCT 1" X 1.5" CHANNEL W / ADHESIVE	180 - 140	2
34 "	WIRE DUCT COVER, 1"	180 - 130	3

NOTES:  
1. CUT EACH SECTION TO THE DIMENSION SHOWN.

REV	ECN	BY	DESCRIPTION
UNLESS OTHERWISE SPECIFIED TOLERANCE			<b>GBC PRO-TECH</b> 4151 Anderson Road, Duffin, Wisconsin 53522 Phone (800) 246-6844 Fax (800) 246-6845
DWG. AS SHOWN	TOL.	FINISH TO BE	
.XX	+ 0.04	12√	
.X	+ 0.05		
.XX	+ 0.05		
.XXX	+ 0.10	ANGLES ± 1D	DATE: 02/04/89
.XXX	+ 0.05		RELEASE: 2380
			DRAWN BY: DJG
			SCALE: 1/2" = 1"
			SIZE: C
			DRG. NO: 001 - 567

QTY.	DESCRIPTION	PART NO.	ITEM NO.
12	ROLLER	068 - 013	1
6	PIN	095 - 106	2
2	CORE, CLIP	530 - 037	3
1	CORE	530 - 036	4
1	O-RING	480 - 006	5
1	SET SCREW, 1/2 - 13 X 1/2	---	6

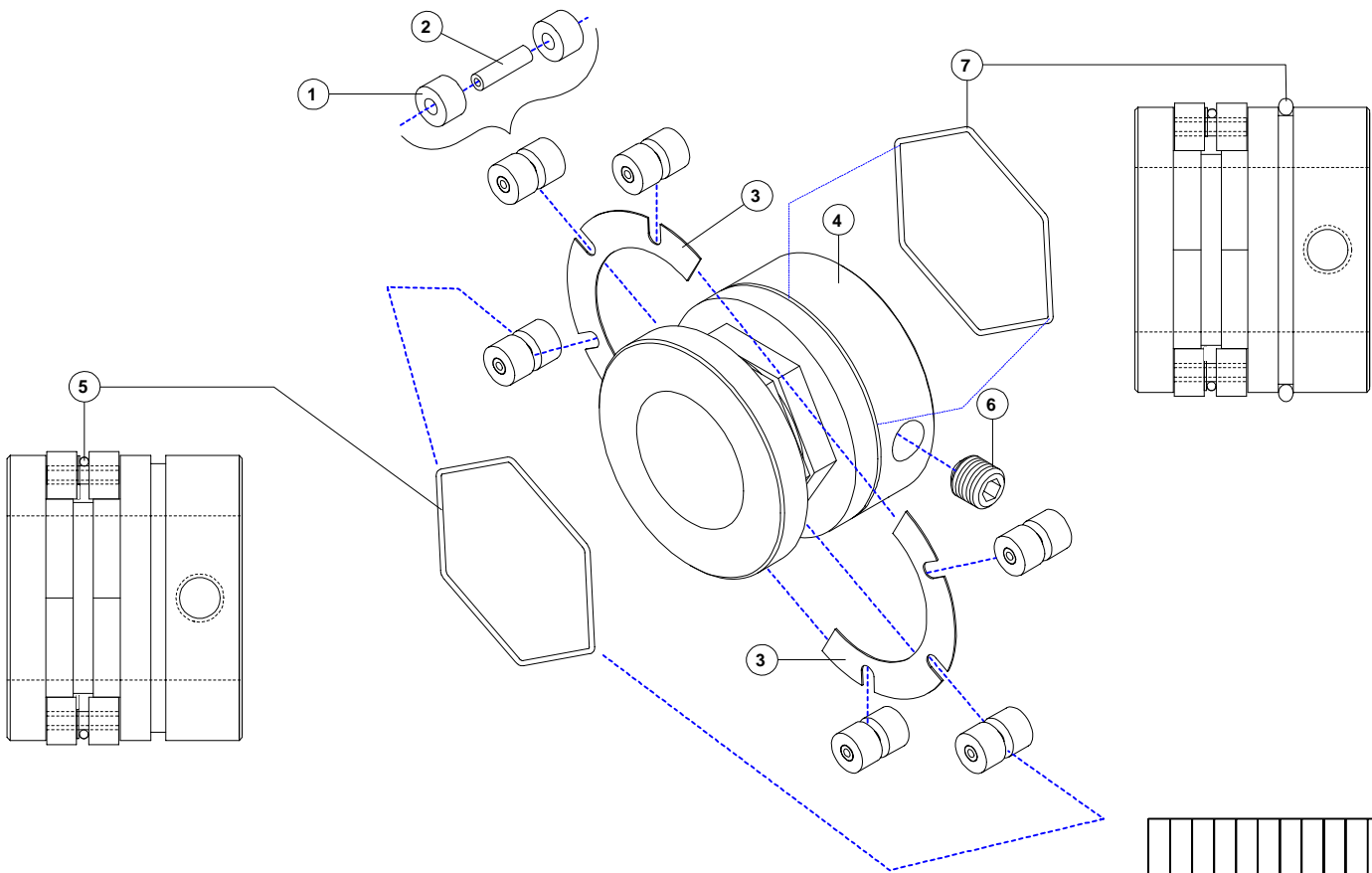


**PROPRIETARY**  
 GBC PRO-TECH CLAIMS PROPRIETARY RIGHTS TO THE MATERIAL DISCLOSED ON THIS DRAWING. IT IS ISSUED IN CONFIDENCE FOR ENGINEERING INFORMATION ONLY AND SHALL NOT BE REPRODUCED, COPIED OR DISCLOSED IN WHOLE OR IN PART, OR USED FOR MANUFACTURE OR FOR ANY OTHER PURPOSE WITHOUT WRITTEN PERMISSION FROM GBC PRO-TECH

UNLESS OTHERWISE SPECIFIED TOLERANCE				GBC Films Group 4151 Anderson Road, DeForest, WI 53532			
DATE:	DRAWN BY:	DWG SCALE:	DWG NO.:	TITLE: ASSEMBLY, CORE GRIP, SADDLE SIDE F 60 C			
10/10/00	N/A	N/A	001-601				

QTY.	DESCRIPTION	PART NO.	ITEM NO
12	ROLLER	068 - 013	1
6	PIN	095 - 106	2
2	CORE_CLIP	530 - 037	3
1	CORE	530 - 036	4
1	O-RING	480 - 006	5
1	SET SCEW, 1/2 - 13 X 1/2	---	6
1	O-RING	480 - 007	7

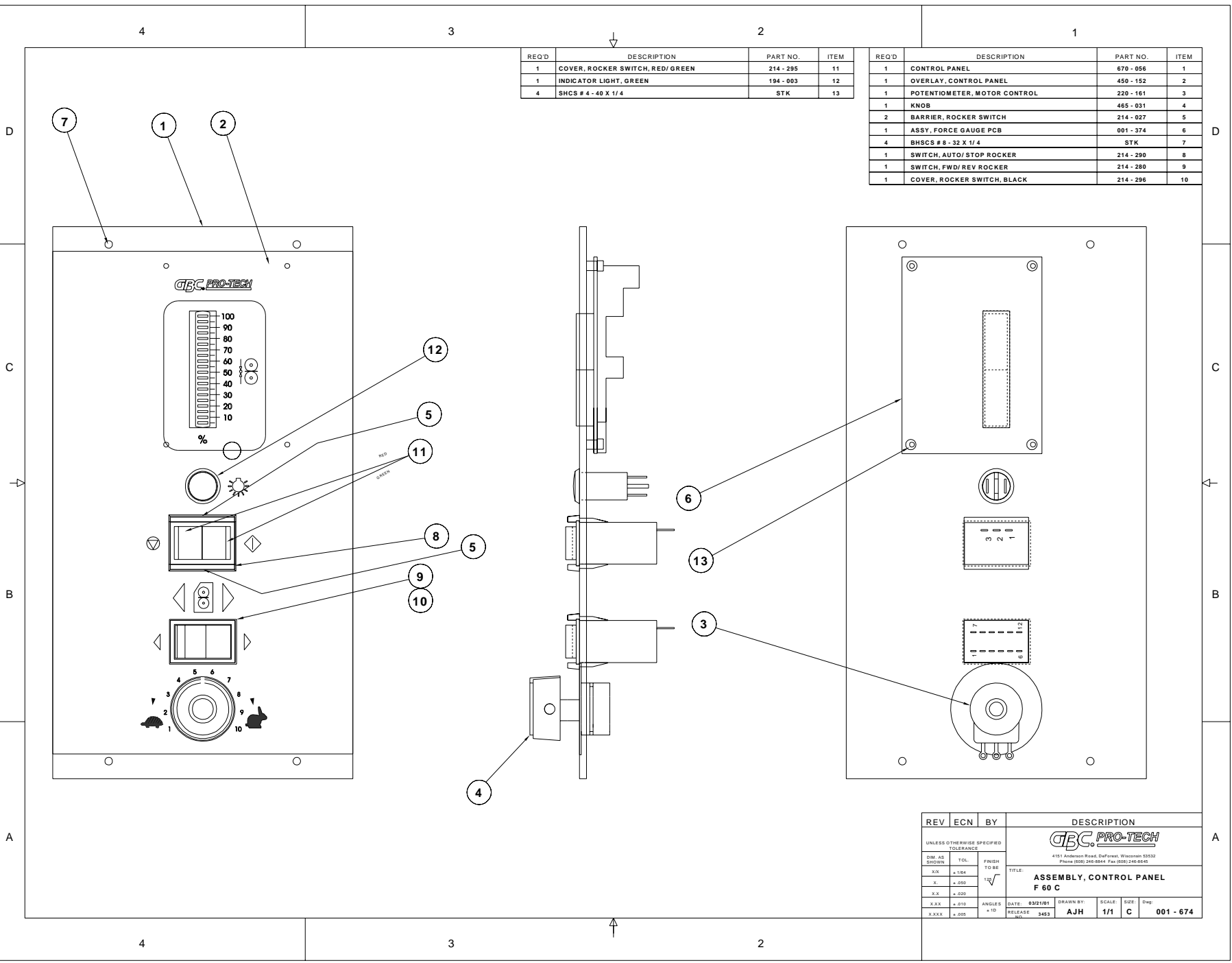
**PROPRIETARY**  
 GBC PRO-TECH CLAIMS PROPRIETARY RIGHTS TO THE MATERIAL DISCLOSED ON THIS DRAWING. IT IS ISSUED IN CONFIDENCE FOR ENGINEERING INFORMATION ONLY AND SHALL NOT BE REPRODUCED, COPIED OR DISCLOSED IN WHOLE OR IN PART, OR USED FOR MANUFACTURE OR FOR ANY OTHER PURPOSE WITHOUT WRITTEN PERMISSION FROM GBC PRO-TECH



<small>This print is the property of GBC Films Group. The information herein is rendered in confidence.</small>			
<b>GBC Films Group</b>		4151 Anderson Road, DeForest, WI 53532	
TITLE : <b>ASSEMBLY, CORE GRIP, PIVOT SIDE</b>			
<b>F 60 C</b>			
DATE :	DRAWN BY :	DWG SCALE :	DWG NO :
10/10/00	N/A	N/A	001-602

REQ'D	DESCRIPTION	PART NO.	ITEM
1	CONTROL PANEL	670 - 056	1
1	OVERLAY, CONTROL PANEL	450 - 152	2
1	POTENTIOMETER, MOTOR CONTROL	220 - 161	3
1	KNOB	465 - 031	4
2	BARRIER, ROCKER SWITCH	214 - 027	5
1	ASSY, FORCE GAUGE PCB	001 - 374	6
4	BHSCS # 8 - 32 X 1/4	STK	7
1	SWITCH, AUTO/STOP ROCKER	214 - 290	8
1	SWITCH, FWD/ REV ROCKER	214 - 280	9
1	COVER, ROCKER SWITCH, BLACK	214 - 296	10

REQ'D	DESCRIPTION	PART NO.	ITEM
1	COVER, ROCKER SWITCH, RED/GREEN	214 - 295	11
1	INDICATOR LIGHT, GREEN	194 - 003	12
4	BHSCS # 4 - 40 X 1/4	STK	13



REV	ECN	BY	DESCRIPTION
UNLESS OTHERWISE SPECIFIED TOLERANCE			<b>GBC PRO-TECH</b> 4151 Anderson Road, DeForest, Wisconsin 53532 Phone (920) 248-8844 Fax (920) 248-8945
DM: AS SHOWN	TOL	FRESH TO BE	
.XX	±.100	12√	TITLE: <b>ASSEMBLY, CONTROL PANEL F 60 C</b>
.X	±.005		DATE: 03/21/01 DRAWN BY: SCALE: SIZE: Dwg
.XX	±.010	ANGLES ±10	RELEASE: 2483 AJH 1/1 C 001 - 674
.XXX	±.005		

REQD	DESCRIPTION	PART NO.	ITEM
1	PANEL ELECTRICAL	670-028	1
1	RELAY, SAFETY, CROUZET KNA2	207-189	2
1	BASE, RELAY P704M	207-110	4
1	CONTROLLER, MOTOR, KBLC, 240DS	220-160	6
1	BOARD, BARRIER, KBC, 0884	220-110	6
1	RESISTOR, KBC, 3W3	220-130	7
2	FUSE, 250V, 30 AMP, CERAMIC	188-135	8
1	FILTER, RFI (EMI) MOTOR, PENTA	185-032	9
1	FUSE HOLDER	217-101	10
1	FUSE 250V 2A	185-048	11
1	DC POWER SUPPLY	245-005	12
1	CONTROL PCB	001-654	13
4	TERMINAL, GRAY, 4MM	217-120	16
2	TERMINAL, GROUND, 4MM	217-149	17
3	SOIL END	217-170	18
1	DN RAK, 3.5"	217-213	19
2	DN RAK, 3.5"	217-003	20
1	TERMINAL, 10MM	217-226	21
1	TERMINAL, BLUE, 4MM	217-270	22
1	COVER, TERMINAL END, VAS-10	217-215	24
6	JUMPER BAR, 4MM	217-240	26
8	COVER, JUMPER BAR, 4MM	217-250	28
1	RECEPTER, STD RECOVERY, 1N4007	145-005	27
2	SHCS 8-32 X 3/16	STK	28
8	SHCS 8-32 X 1/4	STK	29
2	SHCS 8-32 X 3/8	STK	30
6	SHCS 10-32 X 1/4	STK	31
1	RELAY	207-806	33
1	RELAY BASE	207-807	34
1	RELAY	207-813	35
1	TERMINAL BLOCK, 2 POSITION	217-045	36
1	SHCS 4-40 X 3/4	STK	37

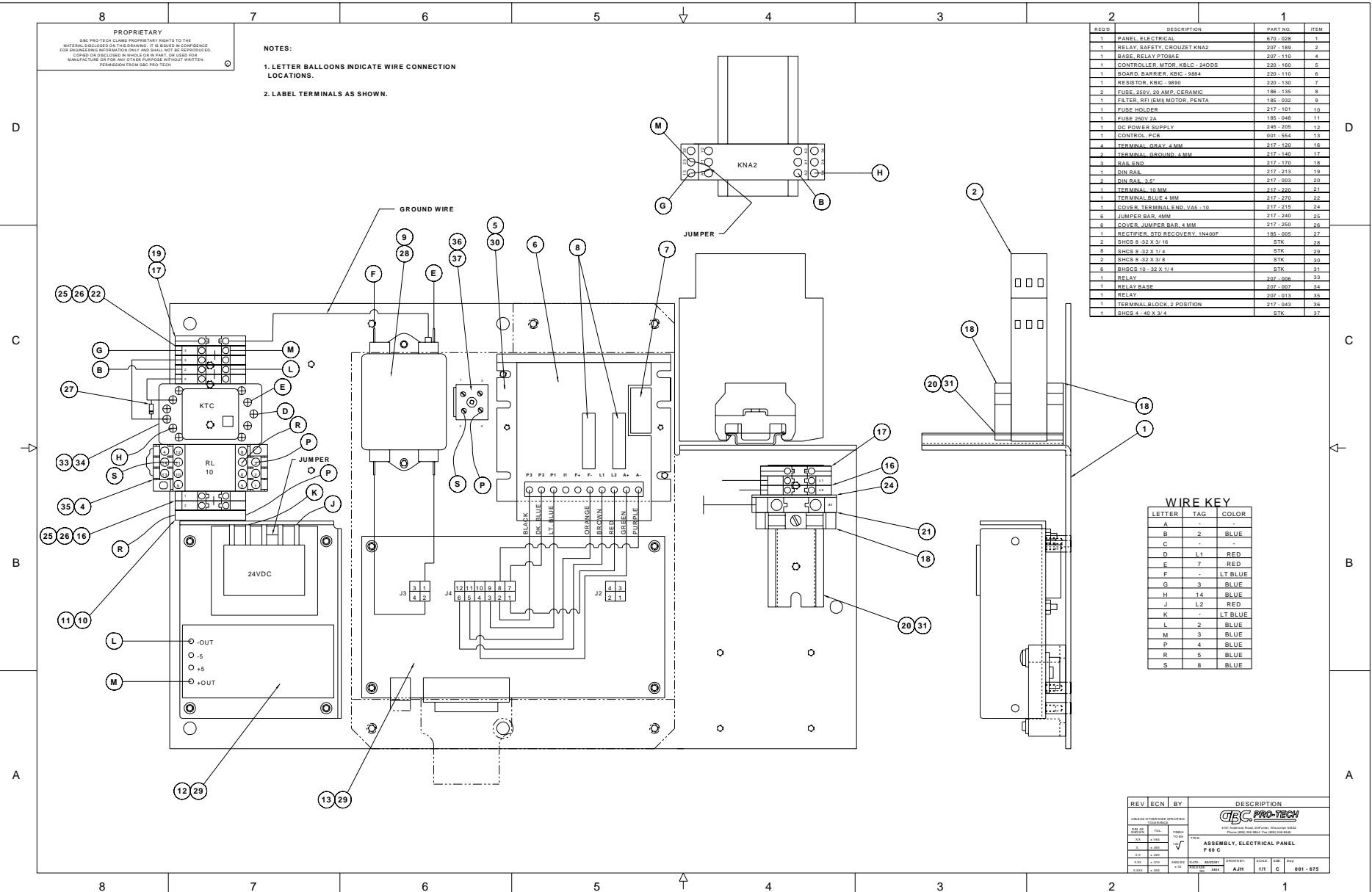
**WIRE KEY**

LETTER	TAG	COLOR
A	-	-
B	2	BLUE
C	-	-
D	L1	RED
E	7	RED
F	-	LT BLUE
G	3	BLUE
H	14	BLUE
J	L2	RED
K	-	LT BLUE
L	2	BLUE
M	3	BLUE
P	4	BLUE
R	5	BLUE
S	8	BLUE

REV	ECN	BY	DESCRIPTION
1	1		ASSEMBLY, ELECTRICAL PANEL F 60 C

UNLESS OTHERWISE SPECIFIED:  
 DIMENSIONS IN INCHES  
 TOLERANCES: .005" (ALL DIMENSIONS)  
 .002" (HOLE DIA)  
 .001" (HOLE DIA)  
 .0005" (HOLE DIA)  
 .0002" (HOLE DIA)  
 .0001" (HOLE DIA)

DATE: 02/20/01  
 DRAWN: AJM  
 CHECKED: C  
 001-675




**NOTES:**  
 1. LETTER BALLOONS INDICATE WIRE CONNECTION LOCATIONS.  
 2. LABEL TERMINALS AS SHOWN.

**PROPRIETARY**  
 GBC PRO-TECH CLAIMS PROPRIETARY RIGHTS TO THE MATERIALS CONTAINED ON THIS DRAWING. IT IS REQUESTED FOR ENGINEERING INFORMATION ONLY AND SHALL NOT BE REPRODUCED, COPIED OR DISSEMINATED IN ANY MANNER WITHOUT WRITTEN PERMISSION FROM GBC PRO-TECH.

PROPRIETARY  
 GBC PRO-TECH CLAIMS PROPRIETARY RIGHTS TO THE  
 MATERIAL DISCLOSED ON THIS DRAWING. IT IS ISSUED IN CONFIDENCE  
 FOR ENGINEERING INFORMATION ONLY AND SHALL NOT BE REPRODUCED,  
 COPIED OR DISCLOSED IN WHOLE OR IN PART, OR USED FOR  
 MANUFACTURE OR FOR ANY OTHER PURPOSE WITHOUT WRITTEN  
 PERMISSION FROM GBC PRO-TECH

REQ'D	DESCRIPTION	PART NO.	ITEM
1	FUSE, 250V, 20 AMP, CERAMIC	186 - 135	1
2	FUSE, 2.5 AMP	186 - 220	2
1	MANUAL, OPERATIONS	930 - 064	3
1	BOX	475 - 010	4
1	TOWEL	475 - 950	5
1	ZIPPY KNIFE	475 - 620	6
1	MASKING TAPE	475 - 000	7
4	MOUNT, MACHINE, ZS1 - IV	470 - 101	8
1	STRAIN RELIEF, MAIN POWER	175 - 201	9
1	FUSE, 0.5 AMP	186 - 016	10
1	BHSCS 3/8 - 16 X 5/8	STK	11
1	WRENCH, 1/4 ALLEN	475 - 210	12
1	O - RING	480 - 005	13
1	CRANK HANDLE	629 - 018	14

REV	ECN	BY	DESCRIPTION				
UNLESS OTHERWISE SPECIFIED TOLERANCE			 4151 Anderson Road, DeForest, Wisconsin 53532 Phone (608) 246-8844 Fax (608) 246-8645				
DIM. AS SHOWN	TOL.	FINISH TO BE					TITLE: Assembly, F 60 C Accessory kit
X/X	± 1/64	125 √					
X.	± .050						
X.X	± .020						
X.XX	± .010	ANGLES ± 1D	DATE: 02/14/01	DRAWN BY:	SCALE:	SIZE:	Dwg:
X.XXX	± .005		RELEASE NO. 3455	AJH	1/1	A	001 - 676