
ORCA III
Illustrated Parts Booklet
(9300963)

© March 2001 GENERAL BINDING CORPORATION. ALL RIGHTS RESERVED.
Do not duplicate without written permission

Booklet #: O3RUPB001A

GBC Films Group
4151 Anderson Road
DeForest, WI 53532
Ph: (608) 246 - 8844
Fx: (608) 246 - 8645

Links to Content

Drawing number :	Drawing Title:	Page number:
092 - 01	Stand parts assembly	1 - 1
092 - 02	Main roll assembly	1 - 2
092 - 03	Pull roll assembly	1 - 3
092 - 04	Chain drive assembly	1 - 4
092 - 05	Cooling assembly	1 - 5
092 - 06	Pneumatic assembly	1 - 6
092 - 07	Electrical assembly	1 - 7
092 - 08	Electrical connections	1 - 8
092 - 09	Final assembly assembly	1 - 9
001 - 006	Idler, paper infeed assembly	1 - 10
001 - 054	Stand off, low profile, removable idler	1 - 11
001 - 058	Cylinder, pull roll, right assembly	1 - 12
001 - 059	Cylinder, pull roll, left assembly	1 - 13
001 - 083	Small table assembly	1 - 14
001 - 085	Front table bracket, right assembly	1 - 15
001 - 086	Front table bracket, left assembly	1 - 16
001 - 087	Rear table bracket, right assembly	1 - 17
001 - 088	Rear table bracket, left assembly	1 - 18
001 - 096	Chain tensioner assembly	1 - 19
001 - 102	Adjustable idler sprocket assembly	1 - 20
001 - 109	Slitter assembly, hooked	1 - 21
001 - 117	Front control panel assembly	1 - 22

Drawing number :	Drawing Title:	Page number:
001 - 121	Rear control panel assembly	1 - 23
001 - 122	Input/ output slitter assembly	1 - 24
001 - 123	Slitter idler assembly	1 - 25
001 - 158	Unwind brake assembly	1 - 26
001 - 164	Main roll shield assembly	1 - 27
001 - 165	Shield stop bracket assembly, right	1 - 28
001 - 166	Shield stop bracket assembly, left	1 - 29
001 - 225	Noise filter assembly	1 - 30
001 - 226	Removable idler assembly	1 - 31
001 - 231	Main chassis panduit assembly	1 - 32
001 - 242	Adjustable idler sprocket assembly, outer	1 - 33
001 - 246	Top drive side heater bracket assembly	1 - 34
001 - 259	Safety label kit assembly	1 - 35
001 - 285	Upper and lower heater bracket assembly	1 - 36
001 - 286	Bottom drive side heater bracket assembly	1 - 37
001 - 305	Removable idler stand-off assembly	1 - 38
001 - 601	Saddle side core gripper assembly	1 - 39
001 - 602	Pivot side core gripper assembly	1 - 40
001 - 625	Rewind brake assembly	1 - 41
001 - 626	Rewind drive assembly	1 - 42
001 - 633	Permanent idler assembly	1 - 43

Drawing number :

Drawing Title:

Page number:

001 - 639

Accessory pack assembly

1 - 44

001 - 640

Electrical panel assembly

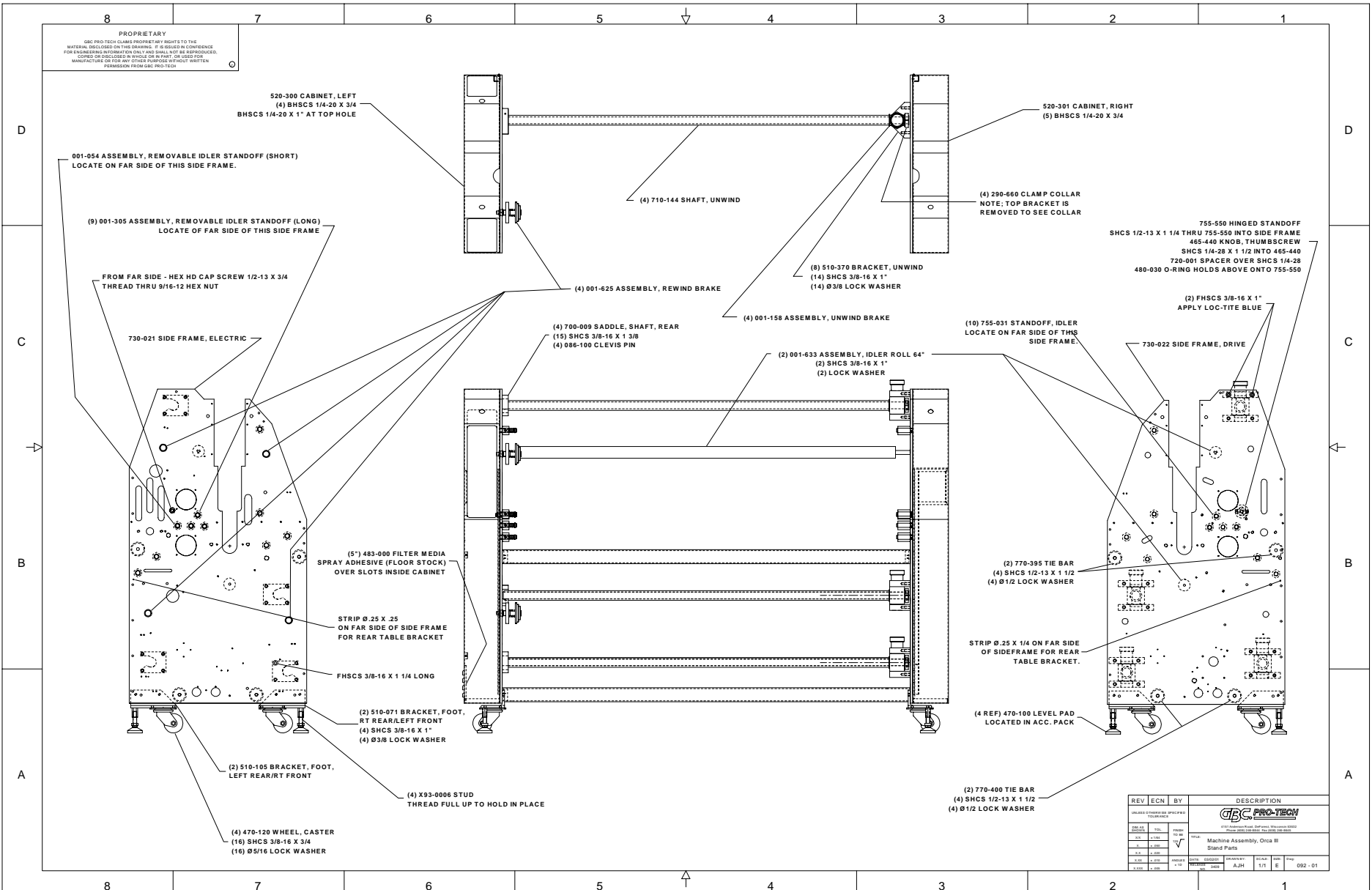
1 - 45

Drawing number :

Drawing Title:

Page number:

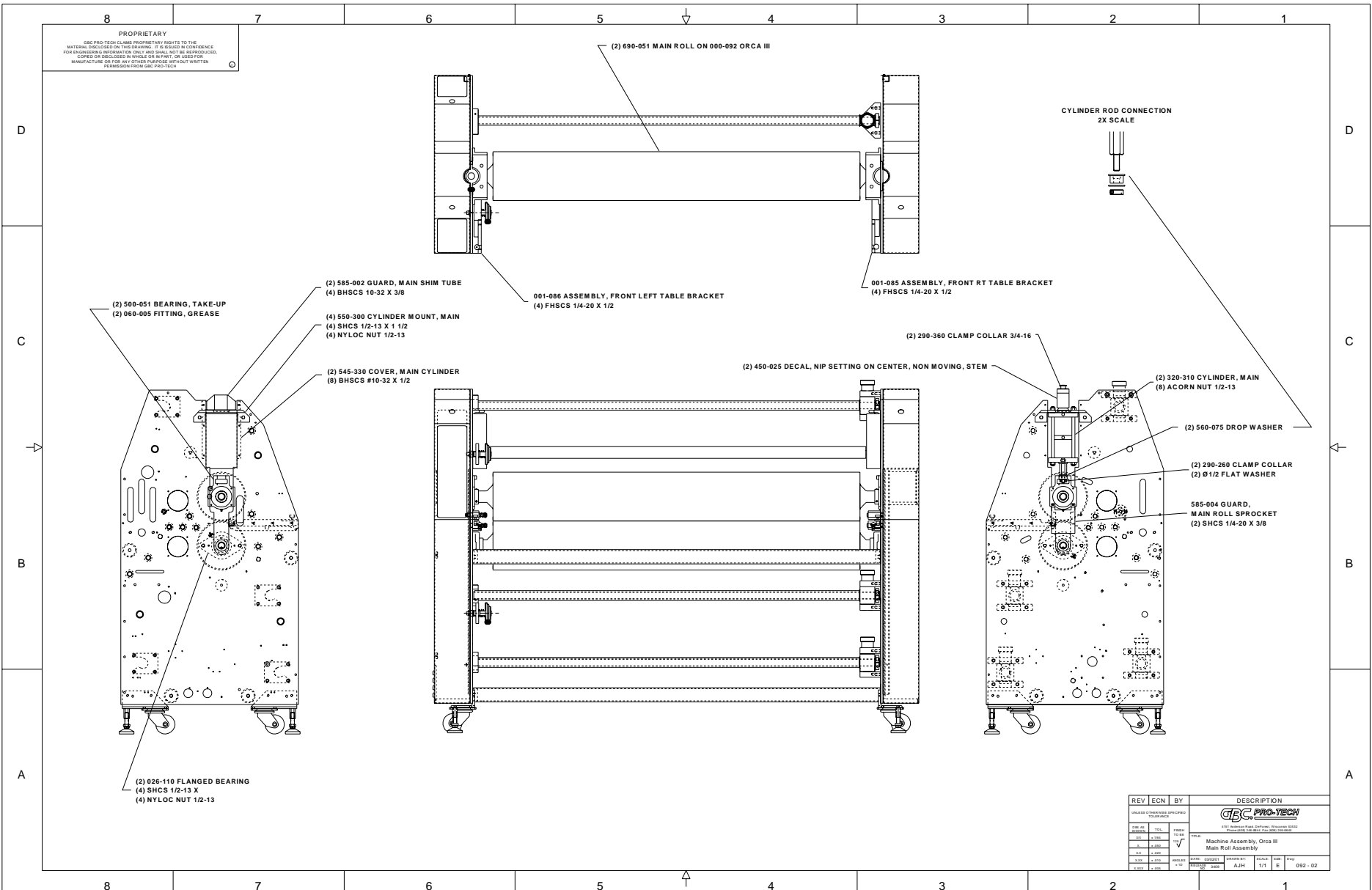
This page intentionally left blank.



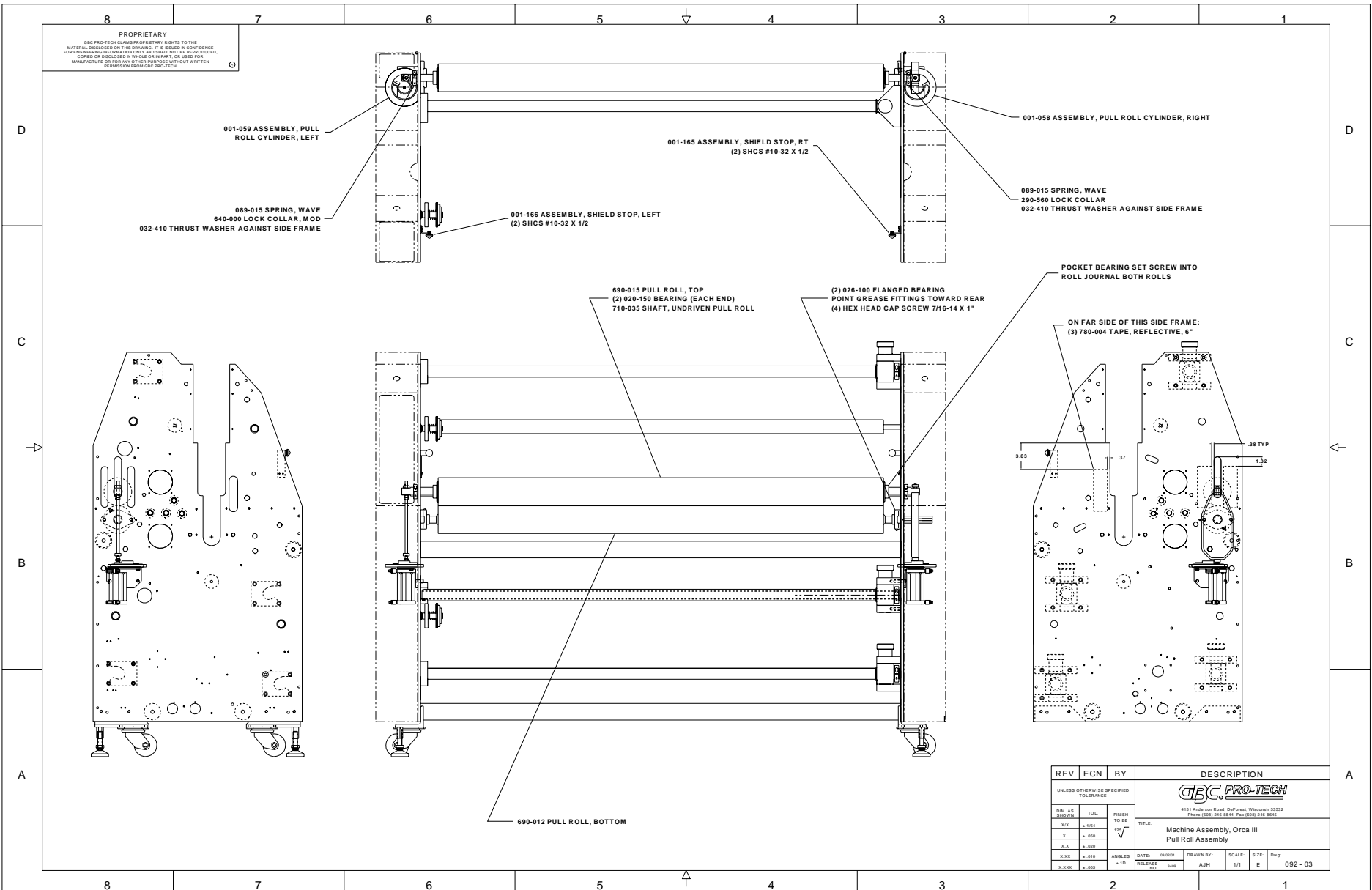
PROPRIETARY
GBC PRO-TECH CLAIMS PROPRIETARY RIGHTS TO THE
MACHINE DESCRIBED ON THIS DRAWING. IT IS DEEMED UNLAWFUL
FOR ENGINEERING INFORMATION ONLY AND SHALL NOT BE REPRODUCED,
COPIED OR DISCLOSED IN WHOLE OR IN PART, OR USED FOR
MANUFACTURE OR FOR ANY OTHER PURPOSE WITHOUT WRITTEN
PERMISSION FROM GBC PRO-TECH.

755-550 HINGED STANDOFF
SHCS 1/2-13 X 1 1/4 THRU 755-550 INTO SIDE FRAME
465-440 KNOB, THUMBSCREW
SHCS 1/4-28 X 1 1/2 INTO 465-440
720-001 SPACER OVER SHCS 1/4-28
480-030 O-RING HOLDS ABOVE ONTO 755-550

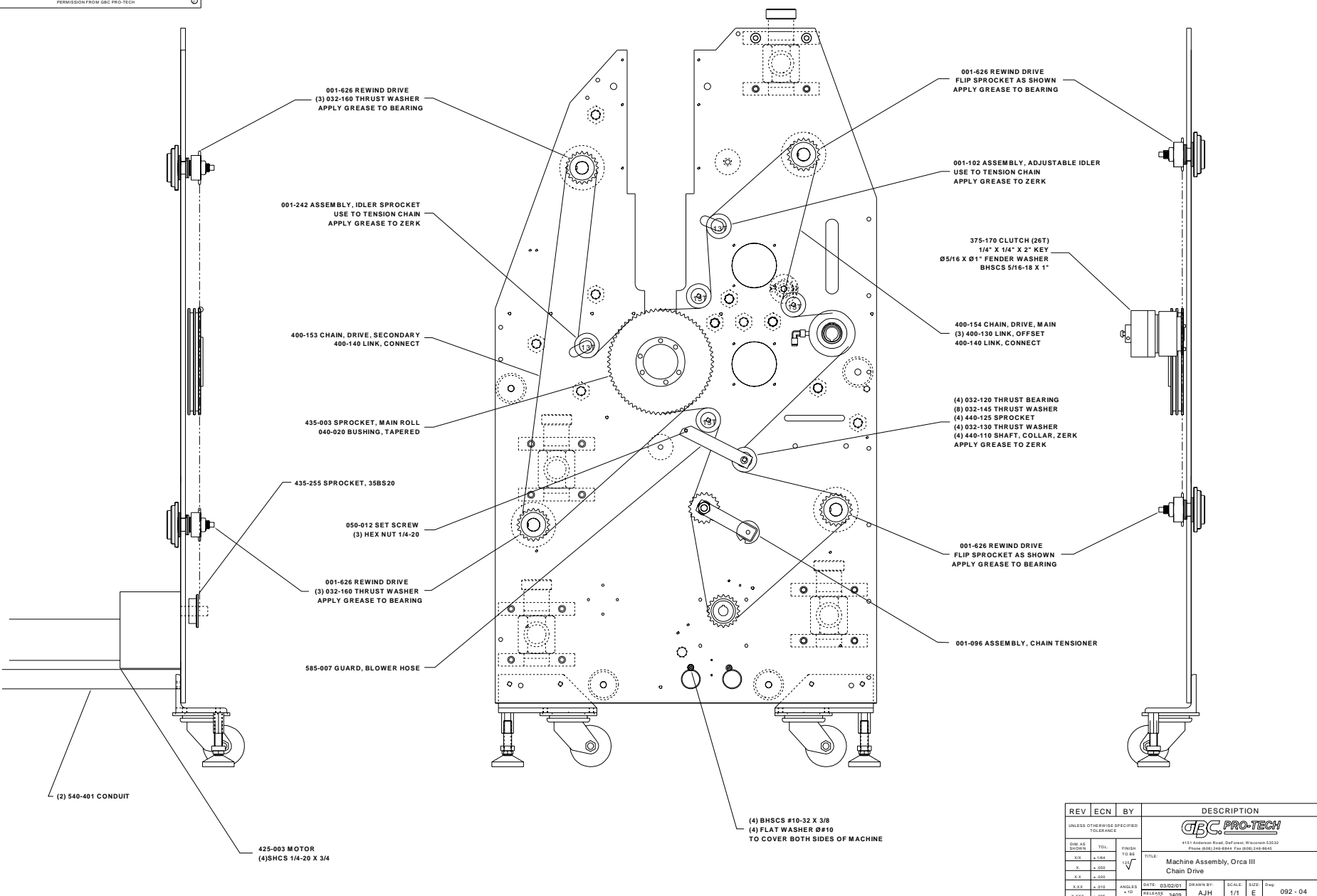
REV	ECN	BY	DESCRIPTION
0001			RELEASE 01/2000 BY GBC PRO-TECH
0002			4153 Assembly Pack, Def. Rev. 01/2000 0002
0003			01/2000 0003
0004			01/2000 0004
0005			01/2000 0005
0006			01/2000 0006
0007			01/2000 0007
0008			01/2000 0008
0009			01/2000 0009
0010			01/2000 0010
0011			01/2000 0011
0012			01/2000 0012
0013			01/2000 0013
0014			01/2000 0014
0015			01/2000 0015
0016			01/2000 0016
0017			01/2000 0017
0018			01/2000 0018
0019			01/2000 0019
0020			01/2000 0020
0021			01/2000 0021
0022			01/2000 0022
0023			01/2000 0023
0024			01/2000 0024
0025			01/2000 0025
0026			01/2000 0026
0027			01/2000 0027
0028			01/2000 0028
0029			01/2000 0029
0030			01/2000 0030
0031			01/2000 0031
0032			01/2000 0032
0033			01/2000 0033
0034			01/2000 0034
0035			01/2000 0035
0036			01/2000 0036
0037			01/2000 0037
0038			01/2000 0038
0039			01/2000 0039
0040			01/2000 0040
0041			01/2000 0041
0042			01/2000 0042
0043			01/2000 0043
0044			01/2000 0044
0045			01/2000 0045
0046			01/2000 0046
0047			01/2000 0047
0048			01/2000 0048
0049			01/2000 0049
0050			01/2000 0050
0051			01/2000 0051
0052			01/2000 0052
0053			01/2000 0053
0054			01/2000 0054
0055			01/2000 0055
0056			01/2000 0056
0057			01/2000 0057
0058			01/2000 0058
0059			01/2000 0059
0060			01/2000 0060
0061			01/2000 0061
0062			01/2000 0062
0063			01/2000 0063
0064			01/2000 0064
0065			01/2000 0065
0066			01/2000 0066
0067			01/2000 0067
0068			01/2000 0068
0069			01/2000 0069
0070			01/2000 0070
0071			01/2000 0071
0072			01/2000 0072
0073			01/2000 0073
0074			01/2000 0074
0075			01/2000 0075
0076			01/2000 0076
0077			01/2000 0077
0078			01/2000 0078
0079			01/2000 0079
0080			01/2000 0080
0081			01/2000 0081
0082			01/2000 0082
0083			01/2000 0083
0084			01/2000 0084
0085			01/2000 0085
0086			01/2000 0086
0087			01/2000 0087
0088			01/2000 0088
0089			01/2000 0089
0090			01/2000 0090
0091			01/2000 0091
0092			01/2000 0092
0093			01/2000 0093
0094			01/2000 0094
0095			01/2000 0095
0096			01/2000 0096
0097			01/2000 0097
0098			01/2000 0098
0099			01/2000 0099
0100			01/2000 0100



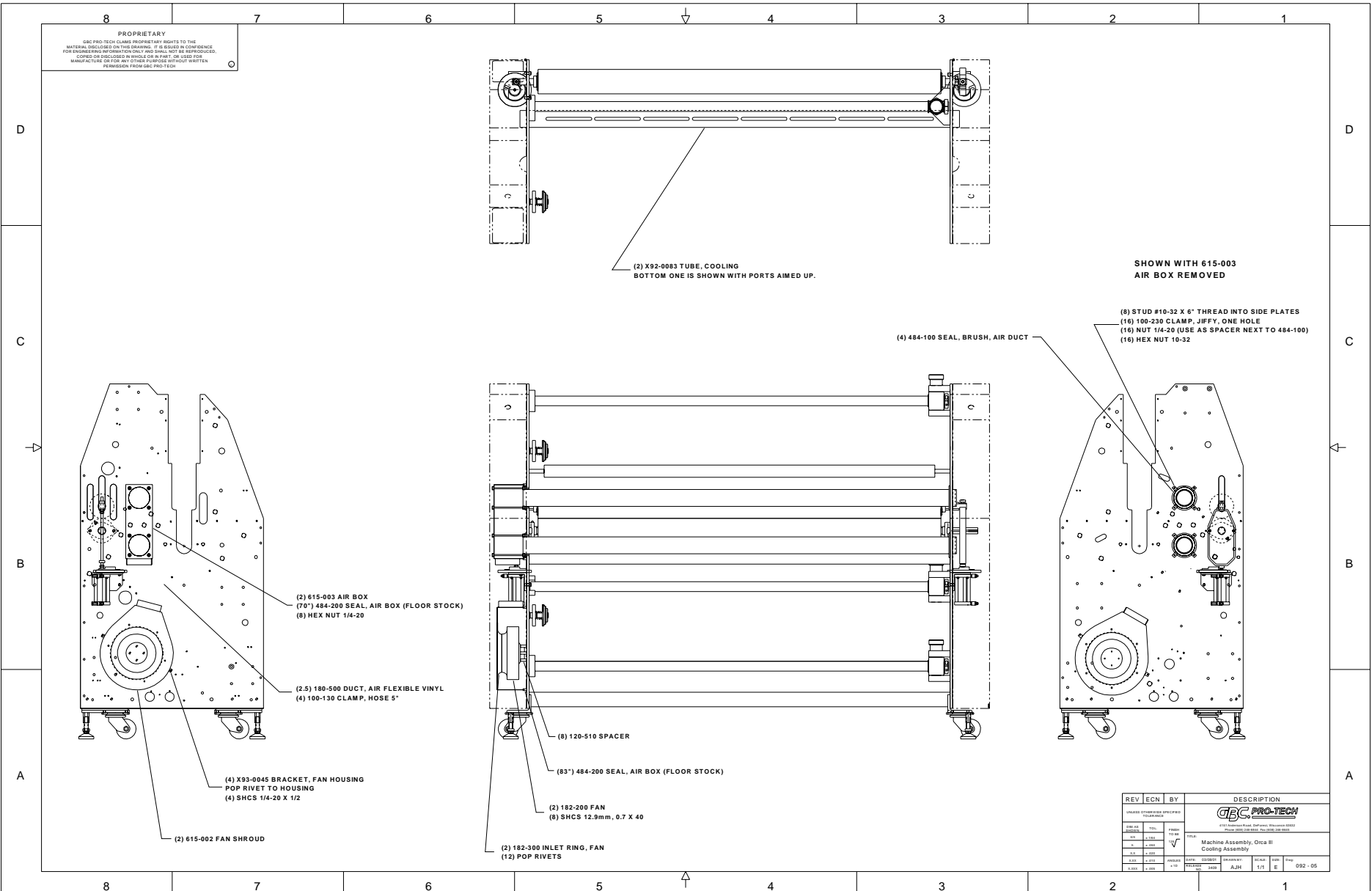
REV	ECN	BY	DESCRIPTION
000	000		UNLESS OTHERWISE SPECIFIED FINISHES
001	001		1/4" Material Flat Endroll, 30mm Dia Material 304 SS 304 (304L)
002	002		FILE Machine Assembly, Orca III Main Roll Assembly
003	003		
004	004		
005	005		
006	006		
007	007		
008	008		
009	009		
010	010		
011	011		
012	012		
013	013		
014	014		
015	015		
016	016		
017	017		
018	018		
019	019		
020	020		
021	021		
022	022		
023	023		
024	024		
025	025		
026	026		
027	027		
028	028		
029	029		
030	030		
031	031		
032	032		
033	033		
034	034		
035	035		
036	036		
037	037		
038	038		
039	039		
040	040		
041	041		
042	042		
043	043		
044	044		
045	045		
046	046		
047	047		
048	048		
049	049		
050	050		
051	051		
052	052		
053	053		
054	054		
055	055		
056	056		
057	057		
058	058		
059	059		
060	060		
061	061		
062	062		
063	063		
064	064		
065	065		
066	066		
067	067		
068	068		
069	069		
070	070		
071	071		
072	072		
073	073		
074	074		
075	075		
076	076		
077	077		
078	078		
079	079		
080	080		
081	081		
082	082		
083	083		
084	084		
085	085		
086	086		
087	087		
088	088		
089	089		
090	090		
091	091		
092	092		
093	093		
094	094		
095	095		
096	096		
097	097		
098	098		
099	099		
100	100		



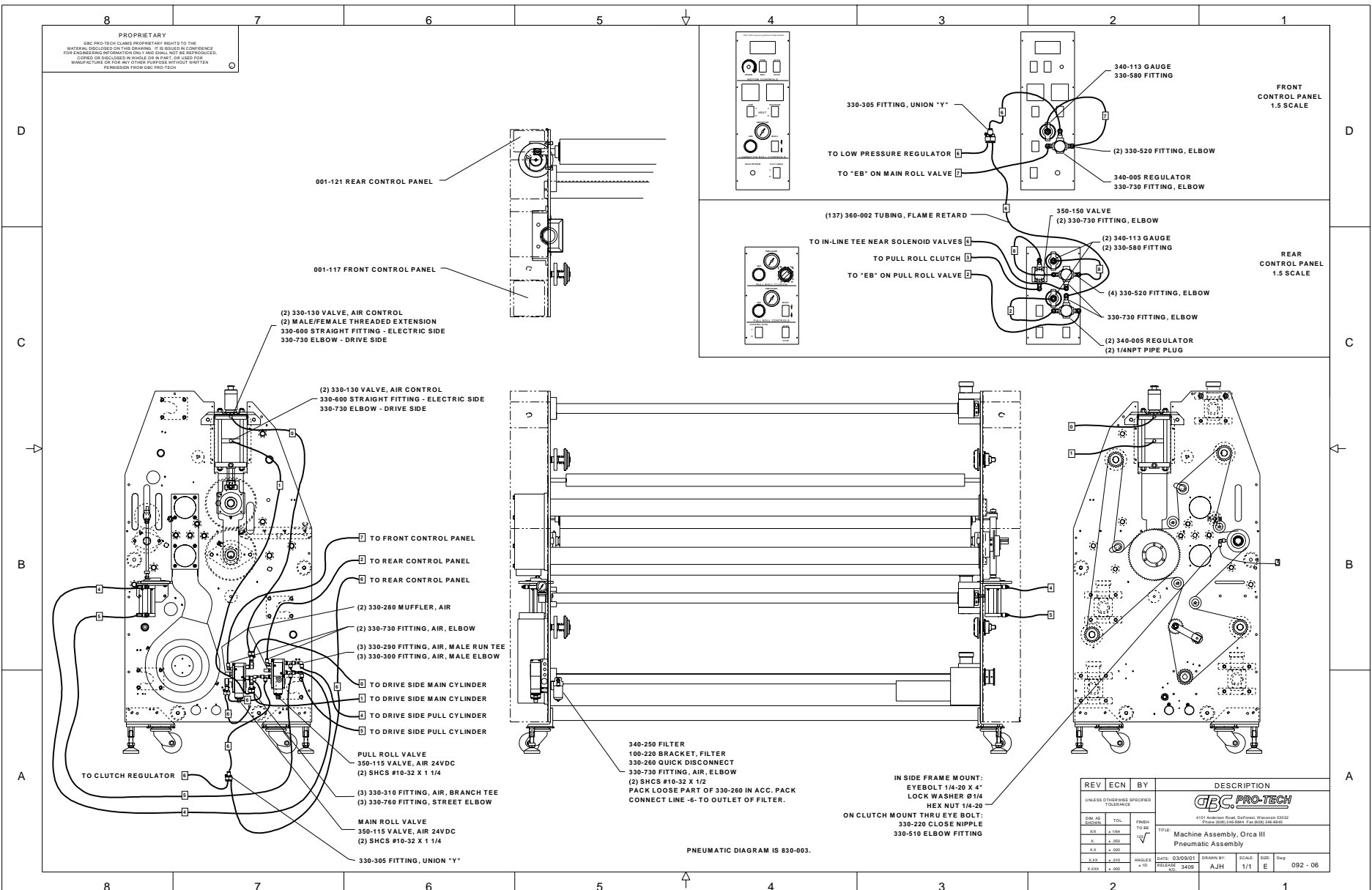
PROPRIETARY
 GBC PRO-TECH CLAIMS PROPRIETARY RIGHTS TO THE MATERIAL DISCLOSED ON THIS DRAWING. IT IS ISSUED IN CONFIDENCE FOR ENGINEERING INFORMATION ONLY AND SHALL NOT BE REPRODUCED, COPIED OR DISCLOSED IN WHOLE OR IN PART OR USED FOR MANUFACTURE OR FOR ANY OTHER PURPOSE WITHOUT WRITTEN PERMISSION FROM GBC PRO-TECH.



REV	ECN	BY	DESCRIPTION
UNLESS OTHERWISE SPECIFIED TOLERANCE			GBC PRO-TECH 4151 Anderson Road, DuFour, Wisconsin 54632 Phone (800)246-8844 Fax (800)246-8840
ONE AS SHOWN	FRACTION TO 32	DECIMAL TO 1/16"	
X.XX	+ .004	- .004	TITLE: Machine Assembly, Orca III Chain Drive
X	+ .001	- .001	DATE: 03/02/01 DRAWN BY: SCALE: SIZE: DWG: 092 - 04
X.XX	+ .010	- .010	RELEASED: 3400 AJH 1/1 E
X.XXX	+ .005	- .005	

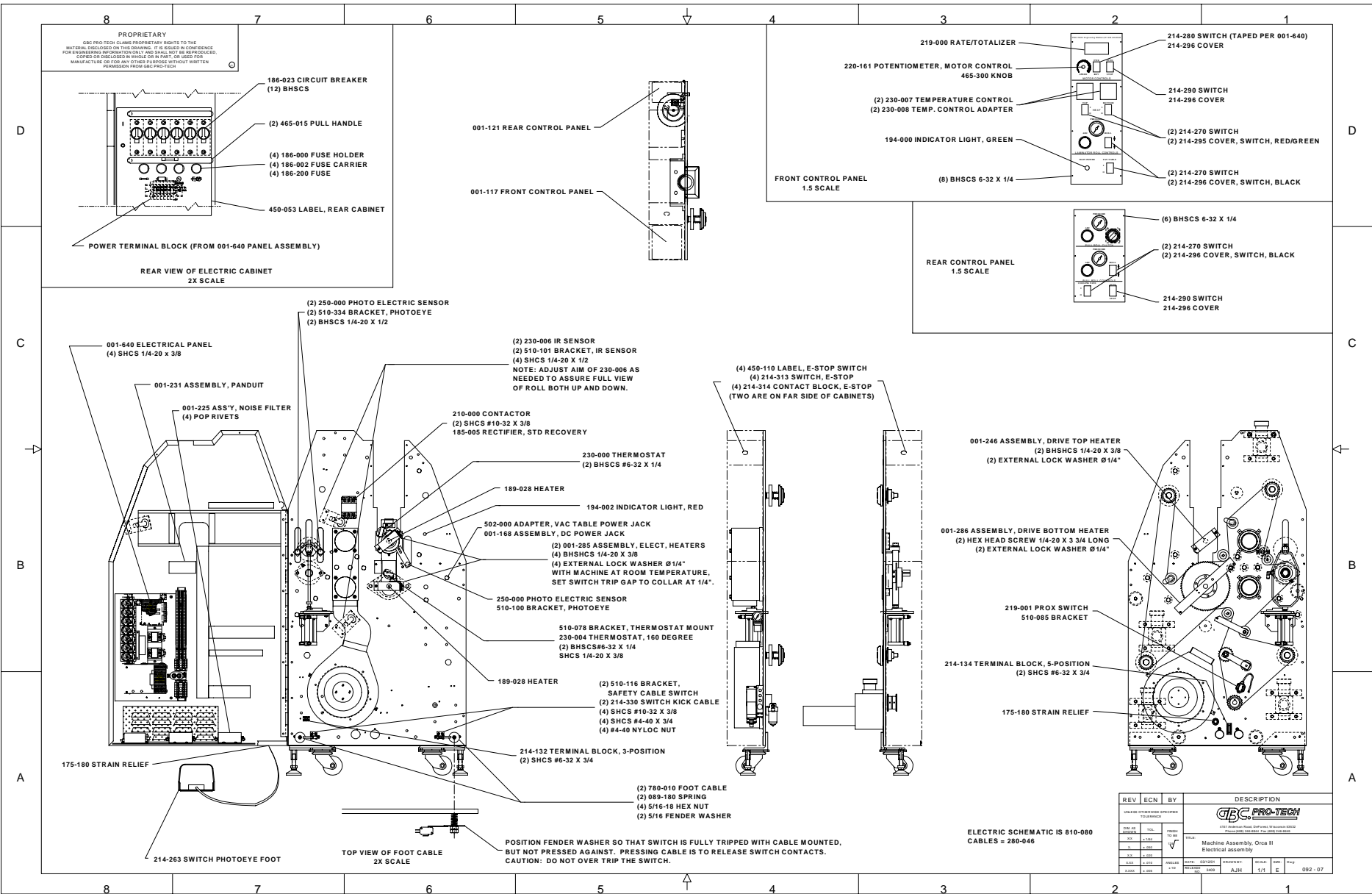


REV	ECN	BY	DESCRIPTION
000	000		UNLESS OTHERWISE SPECIFIED TOLERANCES
001	001		FILE
002	002		Machine Assembly, Orca III
003	003		Cooling Assembly
004	004		
005	005		
006	006		
007	007		
008	008		
009	009		
010	010		
011	011		
012	012		
013	013		
014	014		
015	015		
016	016		
017	017		
018	018		
019	019		
020	020		
021	021		
022	022		
023	023		
024	024		
025	025		
026	026		
027	027		
028	028		
029	029		
030	030		
031	031		
032	032		
033	033		
034	034		
035	035		
036	036		
037	037		
038	038		
039	039		
040	040		
041	041		
042	042		
043	043		
044	044		
045	045		
046	046		
047	047		
048	048		
049	049		
050	050		
051	051		
052	052		
053	053		
054	054		
055	055		
056	056		
057	057		
058	058		
059	059		
060	060		
061	061		
062	062		
063	063		
064	064		
065	065		
066	066		
067	067		
068	068		
069	069		
070	070		
071	071		
072	072		
073	073		
074	074		
075	075		
076	076		
077	077		
078	078		
079	079		
080	080		
081	081		
082	082		
083	083		
084	084		
085	085		
086	086		
087	087		
088	088		
089	089		
090	090		
091	091		
092	092		
093	093		
094	094		
095	095		
096	096		
097	097		
098	098		
099	099		
100	100		



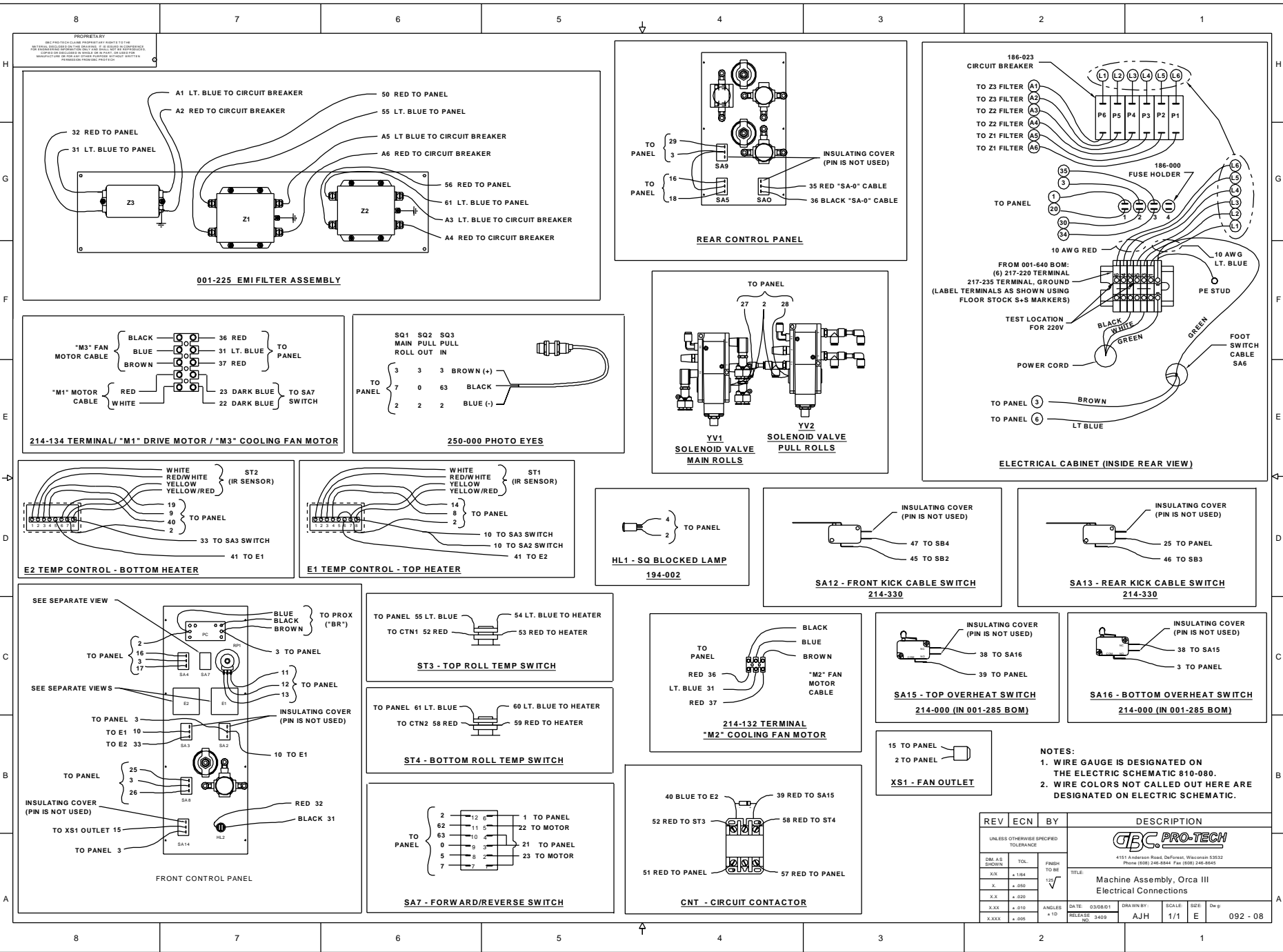
REV	ECN	BY	DESCRIPTION
UNLESS OTHERWISE SPECIFIED TOLERANCES:			
DIM. AS SHOWN	FRACTION	DECIMAL	TYPICAL
.XX	± .005		
.XX	± .005		
.XX	± .005		
.XXX	± .005		

GBC PRO-TECH		4151 American Road, Oshkosh, Wisconsin 54901 Phone (920) 246-8884 Fax (920) 246-8887	
TITLE: Machine Assembly, Orca III Pneumatic Assembly			
DATE: 03/09/01	DRAWN BY: AJH	SCALE: 1/1	SIZE: Dwg 092 - 06
REVISED NO. 3409			



REV	ECN	BY	DESCRIPTION
1	1	W	Machine Assembly, Orca III Electrical assembly
2	1	W	Machine Assembly, Orca III Electrical assembly
3	1	W	Machine Assembly, Orca III Electrical assembly
4	1	W	Machine Assembly, Orca III Electrical assembly
5	1	W	Machine Assembly, Orca III Electrical assembly
6	1	W	Machine Assembly, Orca III Electrical assembly
7	1	W	Machine Assembly, Orca III Electrical assembly
8	1	W	Machine Assembly, Orca III Electrical assembly
9	1	W	Machine Assembly, Orca III Electrical assembly
10	1	W	Machine Assembly, Orca III Electrical assembly

ELECTRIC SCHEMATIC IS 810-080 CABLES = 280-046



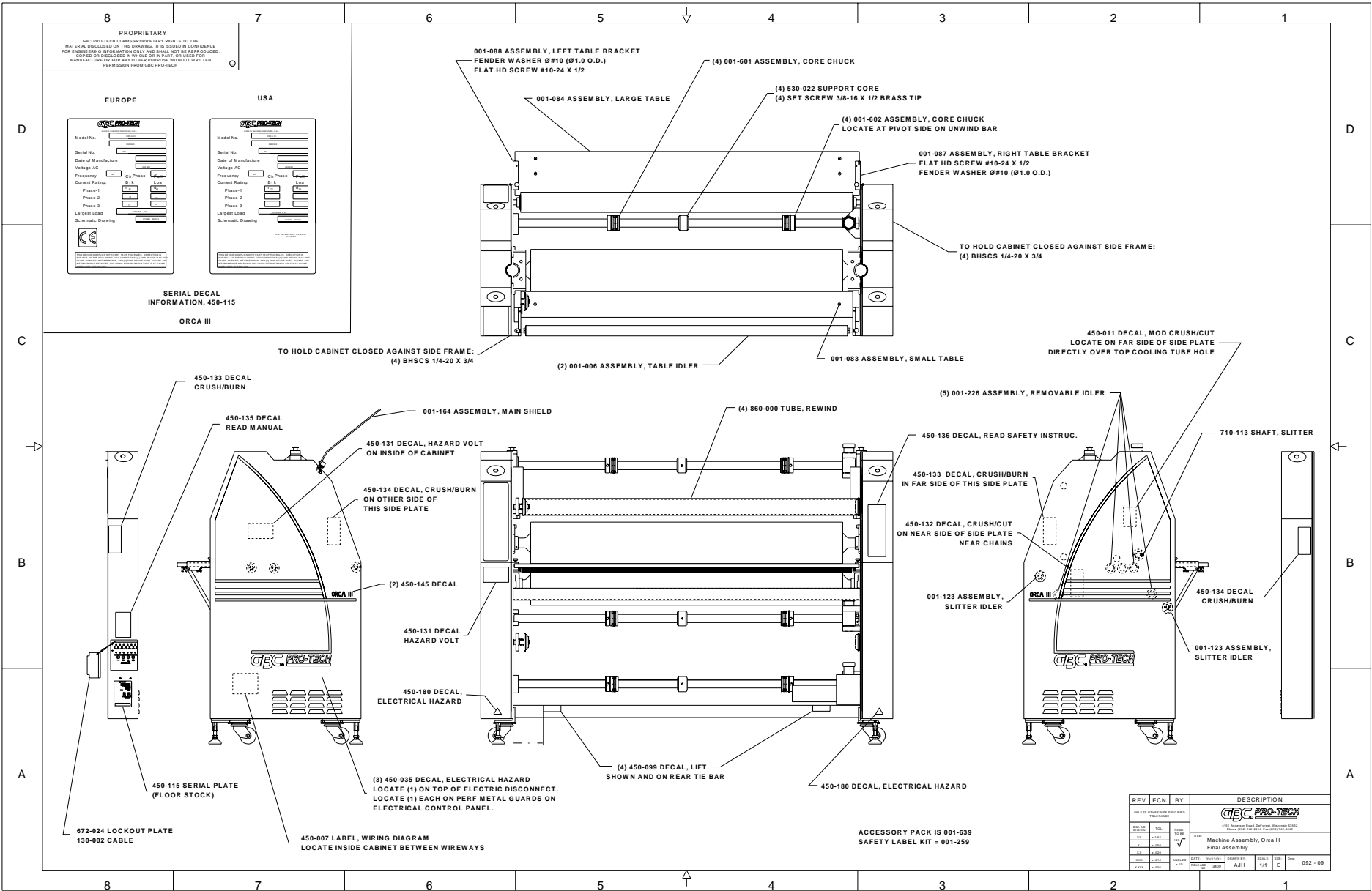
- NOTES:
 1. WIRE GAUGE IS DESIGNATED ON THE ELECTRIC SCHEMATIC 810-080.
 2. WIRE COLORS NOT CALLED OUT HERE ARE DESIGNATED ON ELECTRIC SCHEMATIC.

REV	ECN	BY	DESCRIPTION
UNLESS OTHERWISE SPECIFIED TOLERANCE			
DIM A-B SHOWN	TOL.	FRACTION TO BE	
XX	+ .164	125	
X	+ .050		
XX	+ .020		
XXX	+ .010		
XXX	+ .005		
DATE: 03/08/01		DRAWN BY: AJH	SCALE: 1/1
RELEASE NO: 3409		SIDE: E	DW #:
			092 - 08



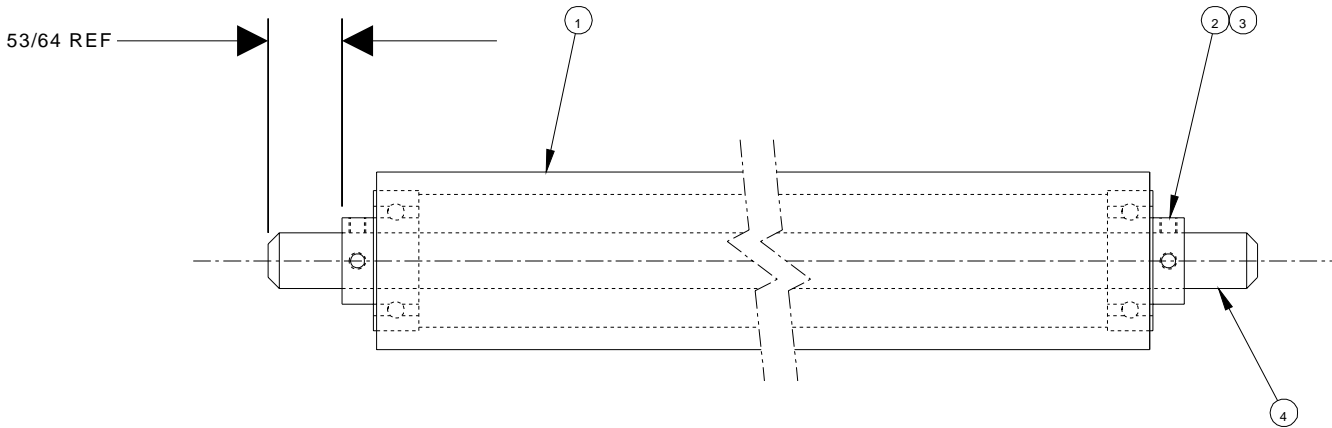
4151 Anderson Road, DeForest, Wisconsin 53532
 Phone (608) 246-8844 Fax (608) 246-8845

TITLE: Machine Assembly, Orca III
 Electrical Connections



REV	ECN	BY	DESCRIPTION
001	001	PRO	Machine Assembly, Orca III
002	001	PRO	Final Assembly
003	001	PRO	
004	001	PRO	
005	001	PRO	
006	001	PRO	
007	001	PRO	
008	001	PRO	
009	001	PRO	
010	001	PRO	
011	001	PRO	
012	001	PRO	
013	001	PRO	
014	001	PRO	
015	001	PRO	
016	001	PRO	
017	001	PRO	
018	001	PRO	
019	001	PRO	
020	001	PRO	
021	001	PRO	
022	001	PRO	
023	001	PRO	
024	001	PRO	
025	001	PRO	
026	001	PRO	
027	001	PRO	
028	001	PRO	
029	001	PRO	
030	001	PRO	
031	001	PRO	
032	001	PRO	
033	001	PRO	
034	001	PRO	
035	001	PRO	
036	001	PRO	
037	001	PRO	
038	001	PRO	
039	001	PRO	
040	001	PRO	
041	001	PRO	
042	001	PRO	
043	001	PRO	
044	001	PRO	
045	001	PRO	
046	001	PRO	
047	001	PRO	
048	001	PRO	
049	001	PRO	
050	001	PRO	
051	001	PRO	
052	001	PRO	
053	001	PRO	
054	001	PRO	
055	001	PRO	
056	001	PRO	
057	001	PRO	
058	001	PRO	
059	001	PRO	
060	001	PRO	
061	001	PRO	
062	001	PRO	
063	001	PRO	
064	001	PRO	
065	001	PRO	
066	001	PRO	
067	001	PRO	
068	001	PRO	
069	001	PRO	
070	001	PRO	
071	001	PRO	
072	001	PRO	
073	001	PRO	
074	001	PRO	
075	001	PRO	
076	001	PRO	
077	001	PRO	
078	001	PRO	
079	001	PRO	
080	001	PRO	
081	001	PRO	
082	001	PRO	
083	001	PRO	
084	001	PRO	
085	001	PRO	
086	001	PRO	
087	001	PRO	
088	001	PRO	
089	001	PRO	
090	001	PRO	
091	001	PRO	
092	001	PRO	
093	001	PRO	
094	001	PRO	
095	001	PRO	
096	001	PRO	
097	001	PRO	
098	001	PRO	
099	001	PRO	
100	001	PRO	

REQ'D	DESCRIPTION	PART NO.	ITEM
1	IDLER, 2 X 64", CHROME	620-405	1
2	BEARING, IDLER	020-100	2
4	SETSCREW, 10-32 X 3/16" LG	-	3
1	IDLER SHAFT	710-111	4



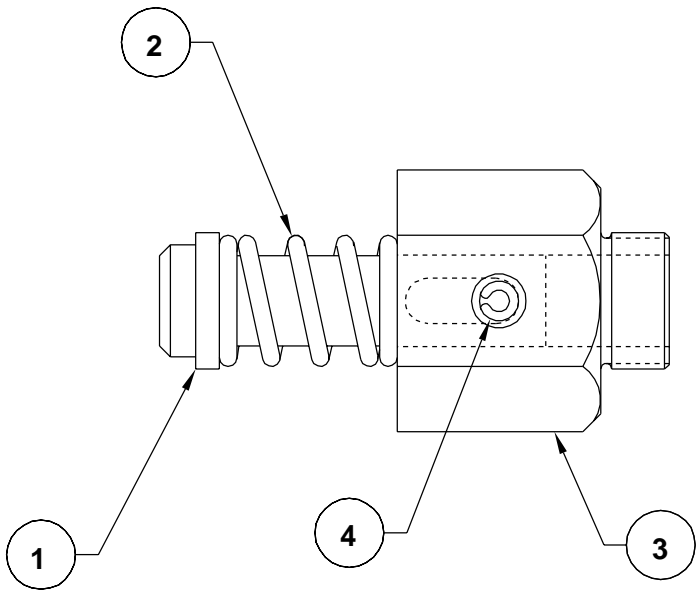
-006 ASSEMBLY

SCALE: 1/1

UNLESS OTHERWISE SPECIFIED TOLERANCE				Pro-Tech Engineering			
2117 N. Douglas St. Madison, Wisconsin 53704 Phone (608) 246-8844 Fax (608) 246-4685				TITLE: IDLER, PAPER INFEED ORCA III/ ORCA III T			
REVISION	DATE	BY	SCALE	DATE	BY	SCALE	NO.
XX	P.184			1-24-94	P.R.	C1	001-006
X	P.450						
XX	P.420						
X.XX	P.510						
X.XXX	P.885						

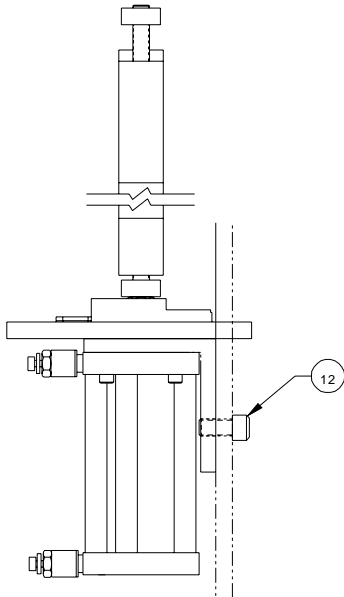
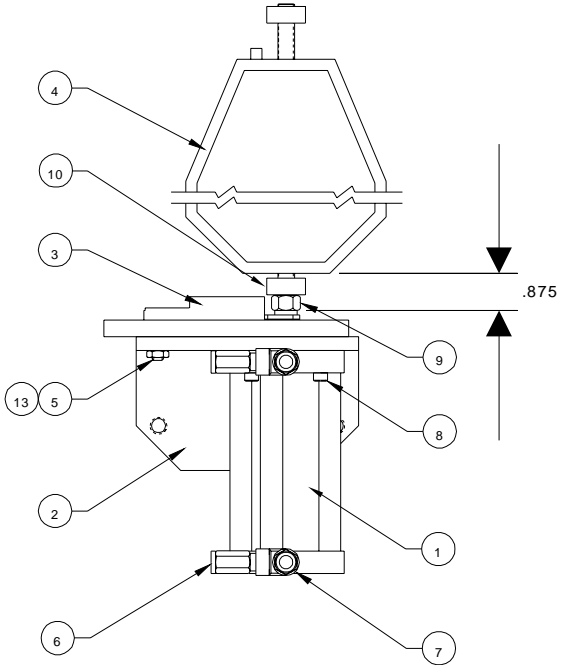
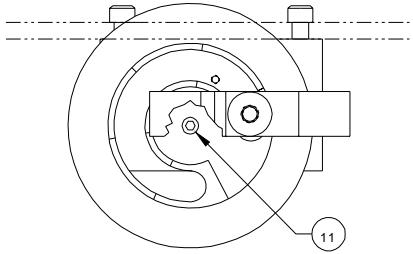
PROPRIETARY
 GBC PRO-TECH CLAIMS PROPRIETARY RIGHTS TO THE MATERIAL DISCLOSED ON THIS DRAWING. IT IS ISSUED IN CONFIDENCE FOR ENGINEERING INFORMATION ONLY AND SHALL NOT BE REPRODUCED, COPIED OR DISCLOSED IN WHOLE OR IN PART, OR USED FOR MANUFACTURE OR FOR ANY OTHER PURPOSE WITHOUT WRITTEN PERMISSION FROM GBC PRO-TECH

REQ'D	DESCRIPTION	PART NO.	ITEM
1	PIN, STANDOFF, LOW PROFILE	645-005	1
1	SPRING, COMPRESSION	089-140	2
1	STANDOFF, IDLER, HEX	755-032	3
1	ROLL PIN, 7/32 X 1-1/8	095-135	4



SHEET OF			 4151 Anderson Road, DeForest, Wisconsin 53532 Phone (608) 246-8844 Fax (608) 246-8645					
UNLESS OTHERWISE SPECIFIED TOLERANCE								
REVISION	DIM. AS SHOWN	TOL.	FINISH TO BE	TITLE: ASS'Y, STANDOFF, REMOVABLE IDLER, LOW PROFILE ORCA III/ ORCA III T				
	X/X	± 1/64	125 √					
	X.	± .050						
	X.X	± .020						
	X.XX	± .010	ANGLES ± 1D					
X.XXX	± .005			DATE: 06/26/95	DRAWN BY: PR	SCALE: 1/1	SIZE: A	Dwg: 001-054
				RELEASE NO.				

REQ'D	DESCRIPTION	PART NO.	ITEM
1	CYL, PULL ROLL (BIMBA FO-174)	320-300	1
1	BRACKET, CYL MNT, RT	510-082	2
1	SHIM DISK, PULL ROLL, RT	X92-0091	3
1	BRACKET, LIFT, PULL ROLL	X92-0138	4
1	PLUNGER, BALL	098-120	5
2	FITTING, AIR, MALE 1/8 NPT	330-590	6
2	VALVE, AIR CONTROL, 1/8 NPT	330-120	7
4	CAP SCREW, SOCKET, 10-32 X 3/4	-	8
1	NUT, JAM, 3/8-24	-	9
2	LOCK COLLAR, 3/8-24	290-190	10
1	BOLT, SHOULDER, 1/4 X 3/8	-	11
2	CAP SCREW, SOCKET, 3/8-16 X 3/4	-	12
1	JAM NUT, 1/4-20	-	13

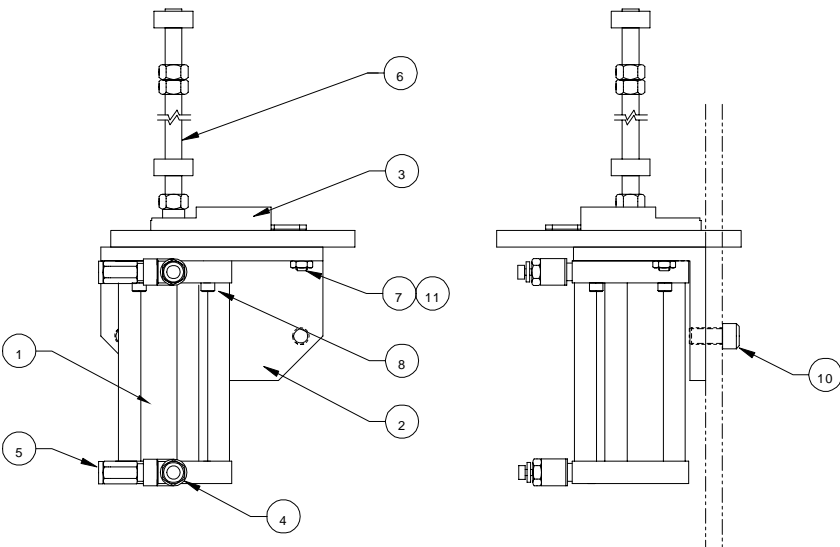
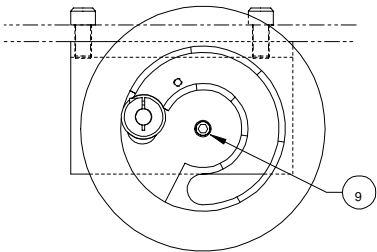


-058 ASSEMBLY

SCALE: 1/2

UNLESS OTHERWISE SPECIFIED TOLERANCE				Pro-Tech Engineering 4151 Anderson Road, Shelton, CT 06484 Phone (203) 246-8844 Fax (203) 246-8845			
DWG AS SHEET N	TOL.	FINISH	TO BE	TITLE: CYLINDER, PULL ROLL, RT. ORCA III/ ORCA III T			
X/XX	F 1/64			DATE:	DRAWN BY:	DWG SCALE:	QTY
X	F .050			2-8-94	P.R.	C2	001-058
X/XX	F .030			ANGLES			
X/XX	F .010			P 10			
X/XX	F .006						

REQ'D	DESCRIPTION	PART NO.	ITEM
1	CYL, PULL ROLL, (BIMBA FO-174)	320-300	1
1	BRACKET, CYL MNT, LF	510-079	2
1	SHIM DISK, PULL ROLL, LF	X92-0092	3
2	VALVE, AIR CONTROL, 1/8 NPT	330-120	4
2	FITTING, AIR, MALE 1/8 NPT	330-590	5
1	ASSEMBLY, SHAFT, CYLINDER, PULL ROLL	001-304	6
1	PLUNGER, BALL	098-120	7
8	CAP SCREW, SOCKET, 10-32 X 3/4	-	8
1	BOLT, SHOULDER, 1/4 X 3/8	-	9
2	CAP SCREW, SOCKET, 3/8-16 X 3/4	-	10
1	JAM NUT, 1/4-20	-	11



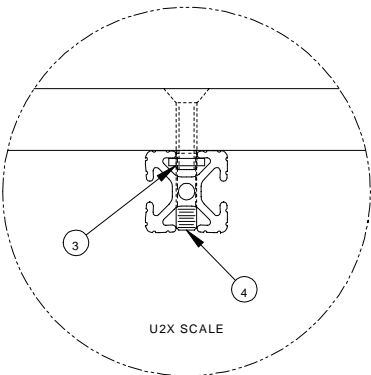
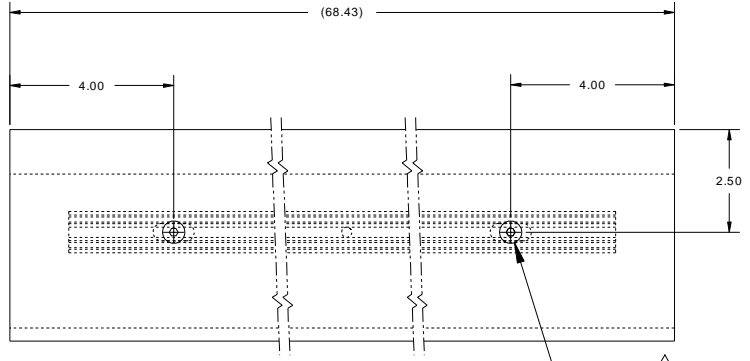
-O59 ASSEMBLY

SCALE-1/2

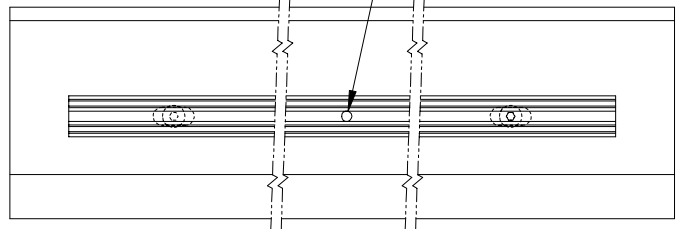
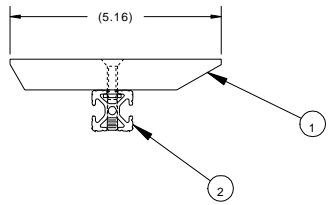
UNLESS OTHERWISE SPECIFIED TOLERANCE				Pro-Tech Engineering 2117 N. Douglas Rd. Madison, Wisconsin 53704 Phone (608) 246-8644 Fax (608) 246-6655	
REVISION	DIM. AS SHOWN	TOL.	F. FINISH	TITLE: CYLINDER, PULL ROLL, LF ORCA III/ ORCA III T	
	X.X	F.104	TO BE	DATE: 2-9-94	
	X	F.100	1/2	DRAWN BY: P.R.	DWG SCALE: C2
	X.X	F.100		DATE: 2-9-94	DWG SCALE: C2
X.X	F.100	ANGLES	P.R.	C2	001-059
X.XXX	F.105	P.10			

REQ'D	DESCRIPTION	PART NO.	ITEM
1	TABLE, SMALL,GREY	760-048	1
1	EXTRUSION, ALUM	110-110	2
2	T-NUT	050-001	3
1	SCREW,SET,1/4-20 X 1.0	050-020	4
2	FHCS, 1/4-20 X 1 LG	-	5

PROPRIETARY
 GBC PRO-TECH CLAIMS PROPRIETARY RIGHTS TO THE MATERIAL DISCLOSED ON THIS DRAWING. IT IS ISSUED IN CONFIDENCE FOR ENGINEERING INFORMATION ONLY AND SHALL NOT BE REPRODUCED, COPIED OR DISCLOSED IN WHOLE OR IN PART, OR USED FOR MANUFACTURE OR FOR ANY OTHER PURPOSE WITHOUT WRITTEN PERMISSION FROM GBC PRO-TECH

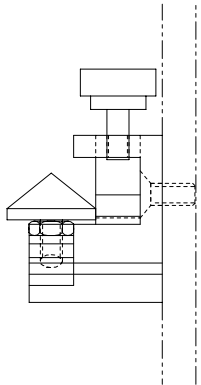
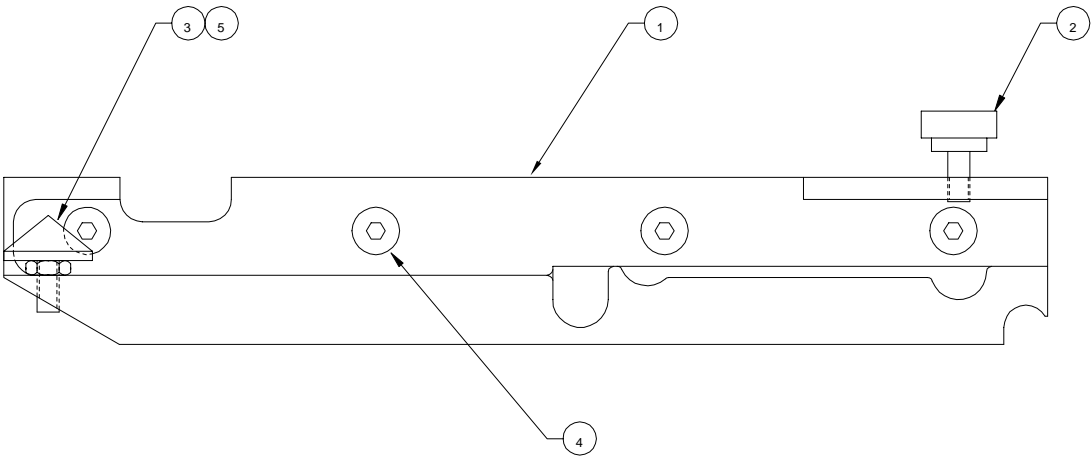
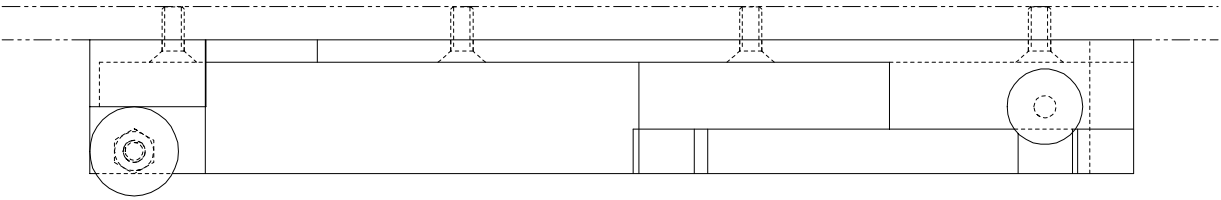


2XC.312
 C.531 X 82D C'SINK



SHEET 1 OF 1		UNLESS OTHERWISE SPECIFIED TOLERANCE		FINISH TO BE		GBC PRO-TECH	
SIM AS SHOWN	TOL.					4151 Anderson Road, DeForest, Wisconsin 53532 Phone (608) 248-8844 Fax (608) 248-8845	
X.X	P.104					TITLE: ASSY.TABLE SMALL ORCA III/ ORCA III T	
X	P.200					DATE: 2-23-04	SCALE: 1:2
X.X	P.210					DRAWN BY:	SIZE: C
X.XXX	P.205					RELEASE	001-083

REQ'D	DESCRIPTION	PART NO.	ITEM
1	BRACKET, TABLE, FRONT, RT	510-056	1
1	KNOB, LOCK-DOWN, TABLE	465-200	2
1	BUMPER, RUBBER	465-500	3
4	SCREW, ALLEN, FLT HD, 1/4-20 X 1/2	-	4
1	NUT, 1/4-20	-	5

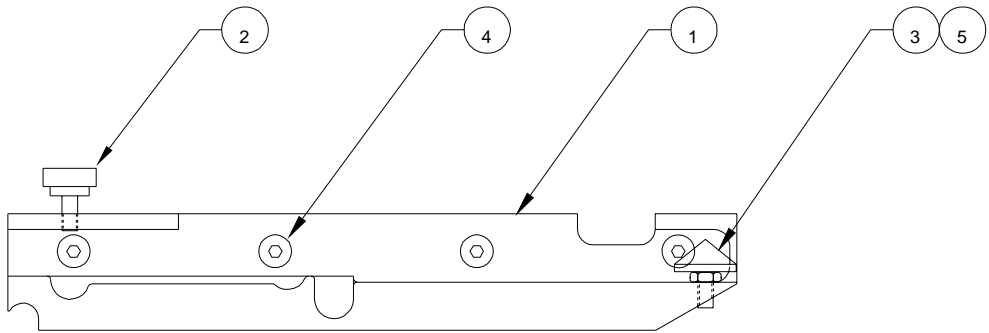
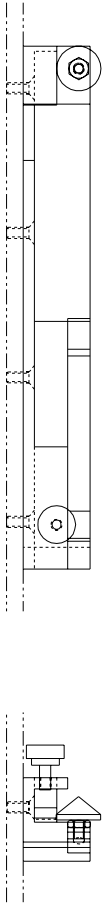


-085 ASSEMBLY

SCALE: 1/1

UNLESS OTHERWISE SPECIFIED TOLERANCE				Pro-Tech Engineering <small>2117 N. Douglas Rd. Madison, Wisconsin 53704 Phone (608)246-8844 Fax (608)246-4885</small>			
FINISH	DM AS SHOWN	TOL.	FINISH TO BE	TITLE: BRACKET, TABLE, FRONT, RT ORCA III / ORCA III T			
	.XX	F 1/64	1/8				
	.X	F .050					
	.XX	F .020					
	.XX	F .010	ANGLES	DATE:	DRAWN BY:	DWG SCALE:	DRW
	.XXX	F .005	P 10	2-23-94	P.R.	C1	001-085

REQ'D	DESCRIPTION	PART NO.	ITEM
1	BRACKET, TABLE, FRONT, LF	510-055	1
1	KNOB, LOCK-DOWN, TABLE	465-200	2
1	BUMPER, RUBBER	465-500	3
4	SCREW, ALLEN, FLT HD, 1/4-20 X 1/2	-	4
1	NUT, 1/4-20	-	5

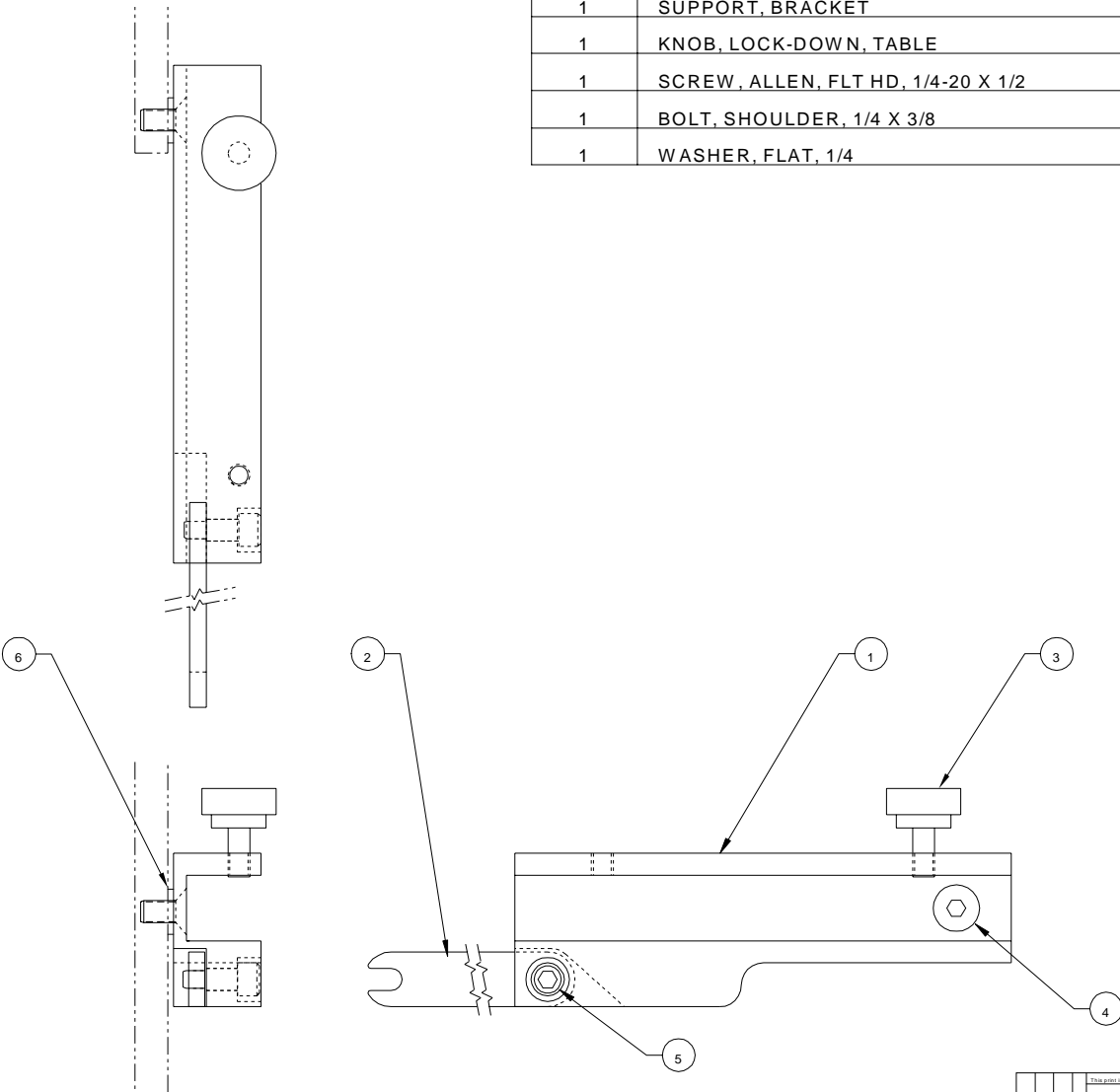


-086 ASSEMBLY

SCALE: 1/2

UNLESS OTHERWISE SPECIFIED TOLERANCE				Pro-Tech Engineering 2117 N. Shugart Rd. Madison, Wisconsin 53704 Phone (608) 246-6844 Fax (608) 246-4655			
DIM. AS SHOWN		TOL.	FINISH	TITLE:		DRAWN BY:	
XX	P.154		TO BE	BRACKET, TABLE, FRONT, LF		P.R.	
X	P.050			ORCA III / ORCA III T		C2	
XX	P.020			DATE:		DWG SCALE:	
X.XX	P.010		ANGLES	2-23-94		Dwg	
X.XXX	P.005		P.10			001-086	

REQ'D	DESCRIPTION	PART NO.	ITEM
1	BRACKET, TABLE, REAR, RT	510-067	1
1	SUPPORT, BRACKET	510-086	2
1	KNOB, LOCK-DOWN, TABLE	465-200	3
1	SCREW, ALLEN, FLT HD, 1/4-20 X 1/2	-	4
1	BOLT, SHOULDER, 1/4 X 3/8	-	5
1	WASHER, FLAT, 1/4	-	6



-087 ASSEMBLY

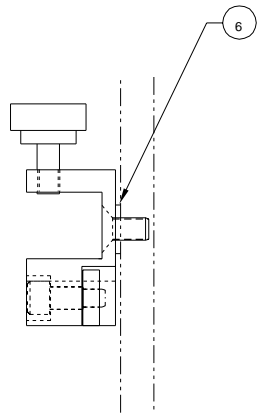
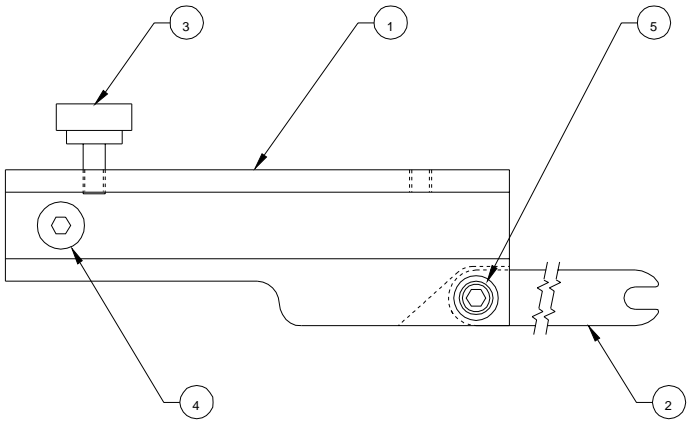
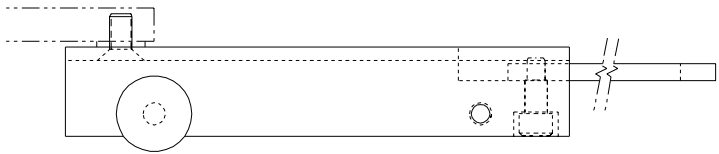
SCALE: 1/1

UNLESS OTHERWISE SPECIFIED				TOLERANCE		FRGHS		TITLE:	
DIM	AS	TOL	FRGHS	TO BE	BRACKET, TABLE, REAR, RT				
SHOWN					ORCA III / ORCA III T				
XX	P .104				DATE				
X	P .050				2-24-94				
XX	P .020				DRAWN BY:				
XXX	P .010				P.R.				
XXX	P .005				DWG SCALE:				
					C1				
					Dwg				
					001-087				

Pro-Tech Engineering

2117 N. Sloghton Rd. Madison, Wisconsin 53704
Phone (608) 248-8844 Fax (608) 248-6685

REQ'D	DESCRIPTION	PART NO.	ITEM
1	BRACKET, TABLE, REAR, LF	510-069	1
1	SUPPORT, BRACKET	510-086	2
1	KNOB, LOCK-DOWN, TABLE	465-200	3
1	SCREW, ALLEN, FLT HD, 1/4-20 X 1/2 LG	-	4
1	BOLT, SHOULDER, 1/4 X 3/8	-	5
1	WASHER, FLAT, 1/4	-	6

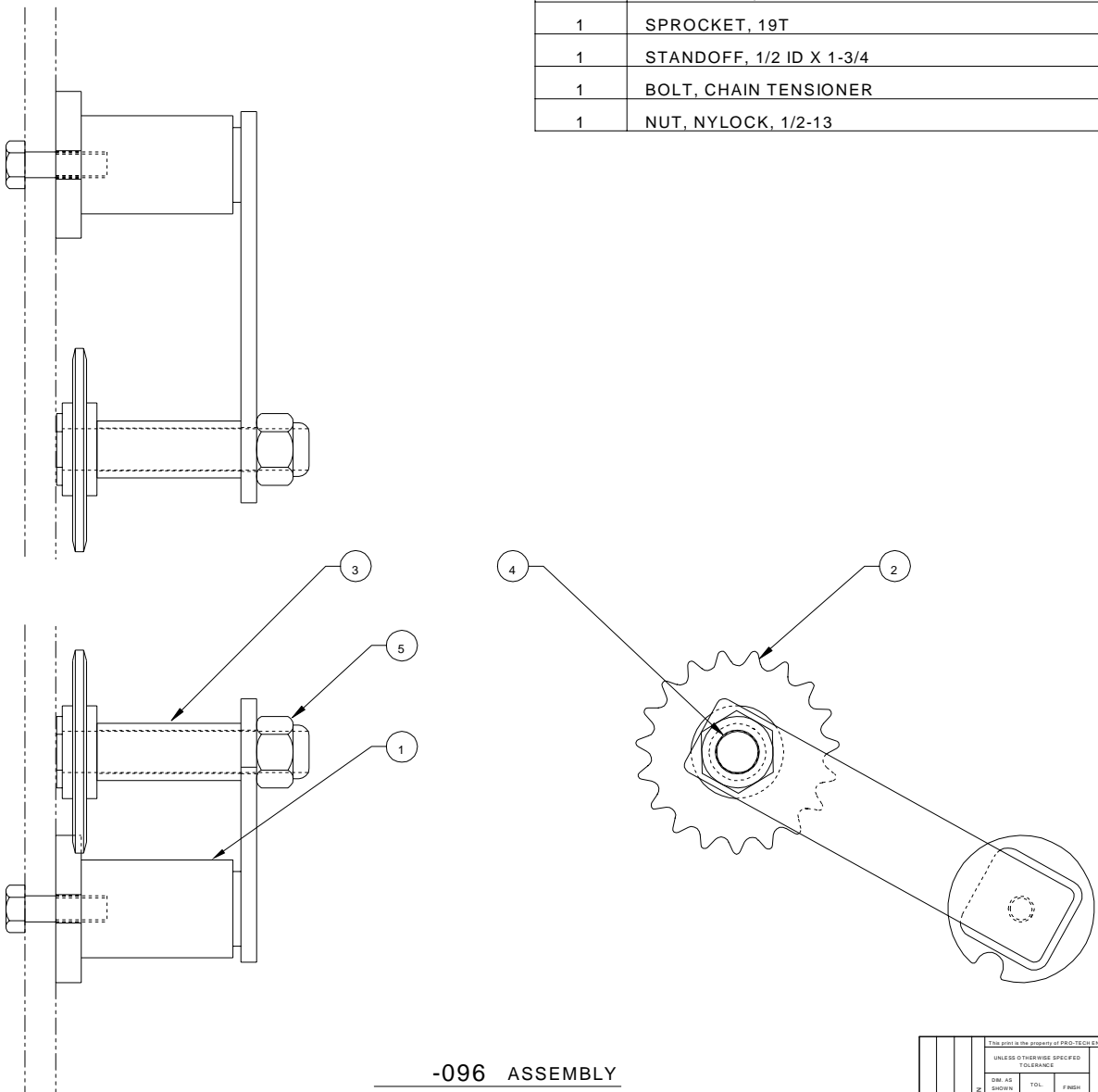


-088 ASSEMBLY

SCALE: 1/1

UNLESS OTHERWISE SPECIFIED TOLERANCE				Pro-Tech Engineering <small>2117 N. Steadman Rd. Madison, Wisconsin 53704 Phone (608) 246-8844 Fax (608) 246-6865</small>			
DIM AS SHOWN		TOL:		FINISH TO BE		TITLE:	
XX	P.104					BRACKET, TABLE, REAR, LF	
X	P.050					ORCA III / ORCA III T	
XX	P.050						
XXX	P.010	ANGLES P10		DATE:	DRAWN BY:	DWG SCALE:	Dwg
XXX	P.005			2-24-94	P.R.	C1	001-088

REQ'D	DESCRIPTION	PART NO.	ITEM
1	TENSIONER, CHAIN	440-150	1
1	SPROCKET, 19T	440-130	2
1	STANDOFF, 1/2 ID X 1-3/4	755-000	3
1	BOLT, CHAIN TENSIONER	X93-0047	4
1	NUT, NYLOCK, 1/2-13	-	5

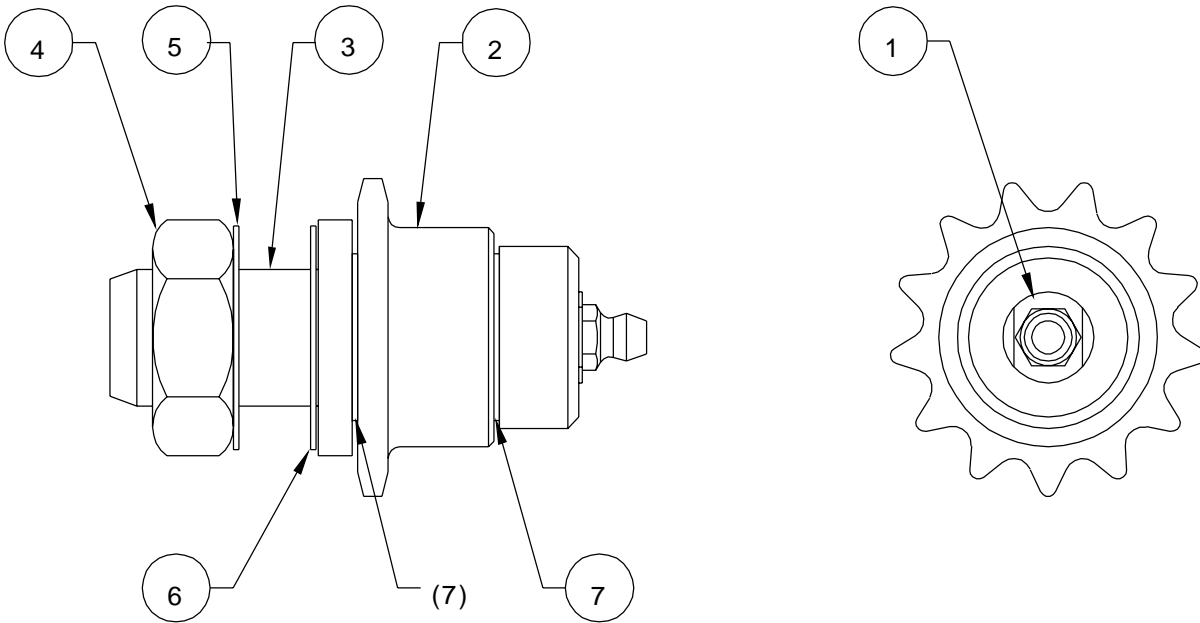


-096 ASSEMBLY

SCALE: 1/1

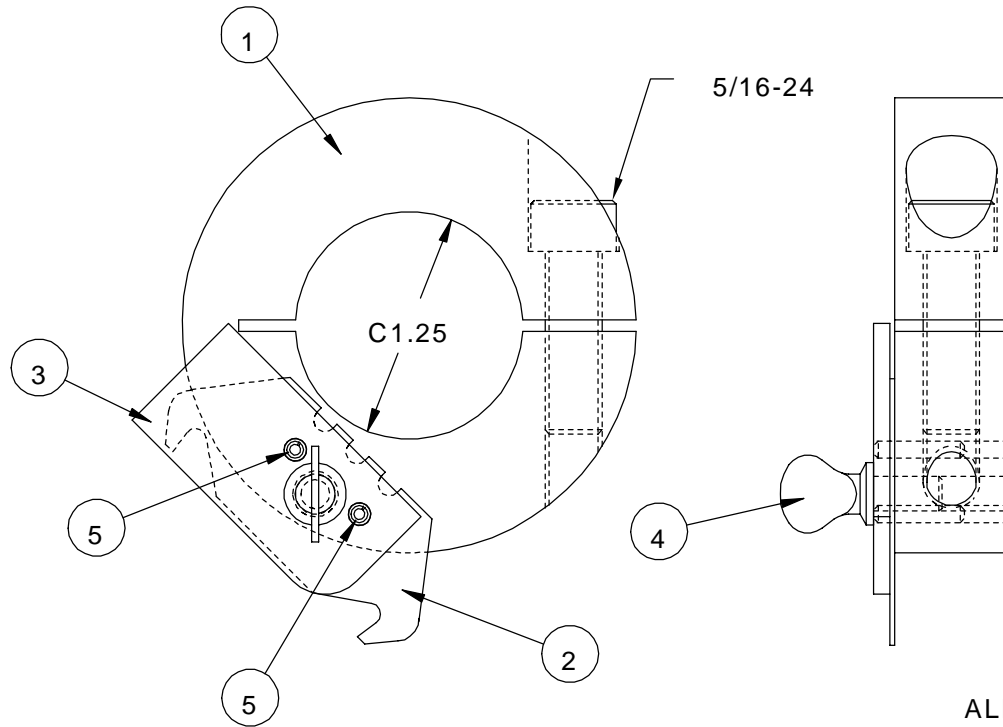
UNLESS OTHERWISE SPECIFIED TOLERANCE				Pro-Tech Engineering			
2117 N. Douglas St. Mesa, Colorado 80204				Phone (303) 245-0844 Fax (303) 245-8445			
TITLE: TENSIONER, CHAIN				DRAWN BY: C1			
ORCA III / ORCA III T				DATE: 3-3-94			
001-096				P.R.			

REQ'D	DESCRIPTION	PART NO.	ITEM
1	SHAFT, IDLER	440-110	1
1	SPROCKET, 13T	440-125	2
1	BOLT, MOD., 3/4-16 X 1	505-002	3
1	NUT, JAM, 3/4-16	-	4
1	WASHER, THRUST	032-291	5
1	WASHER, STAR, INT. TOOTH, 3/4	-	6
2	WASHER, THRUST	032-130	7



This print is the property of PRO-TECH ENGR. The information thereon is remitted in confidence.			
UNLESS OTHERWISE SPECIFIED TOLERANCE		Pro-Tech Engineering 2117 N. Stoughton Rd. Madison, Wisconsin 53704 Phone (608) 246-8844 Fax (608) 246-4685	
DIM. AS SHOWN	TOL.		
X/X	P 1/64	125√	TITLE: ASSEMBLY, SPROCKET, IDLER, ADJUSTABLE ORCA III / ORCA III T
X.	P .050		
X.X	P .020		
X.XX	P .010	ANGLES P 1D	
X.XXX	P .005		DRAWN BY: RAS
			DWG SCALE: A1
			Dwg: 001-102


REQ'D	DESCRIPTION	PART NO.	ITEM
1	LOCK COLLAR, CLAMP, MODIFIED	640-000	1
1	BLADE, HOOK	475-300	2
1	PLATE, BLADE, SLITTER	740-004	3
1	THUMBSCREW ,10-32x3/8 /90179A827(McM)	092-110	4
2	PIN, ROLL, 3/32x.5 /98296A143(McMASTER)	095-110	5

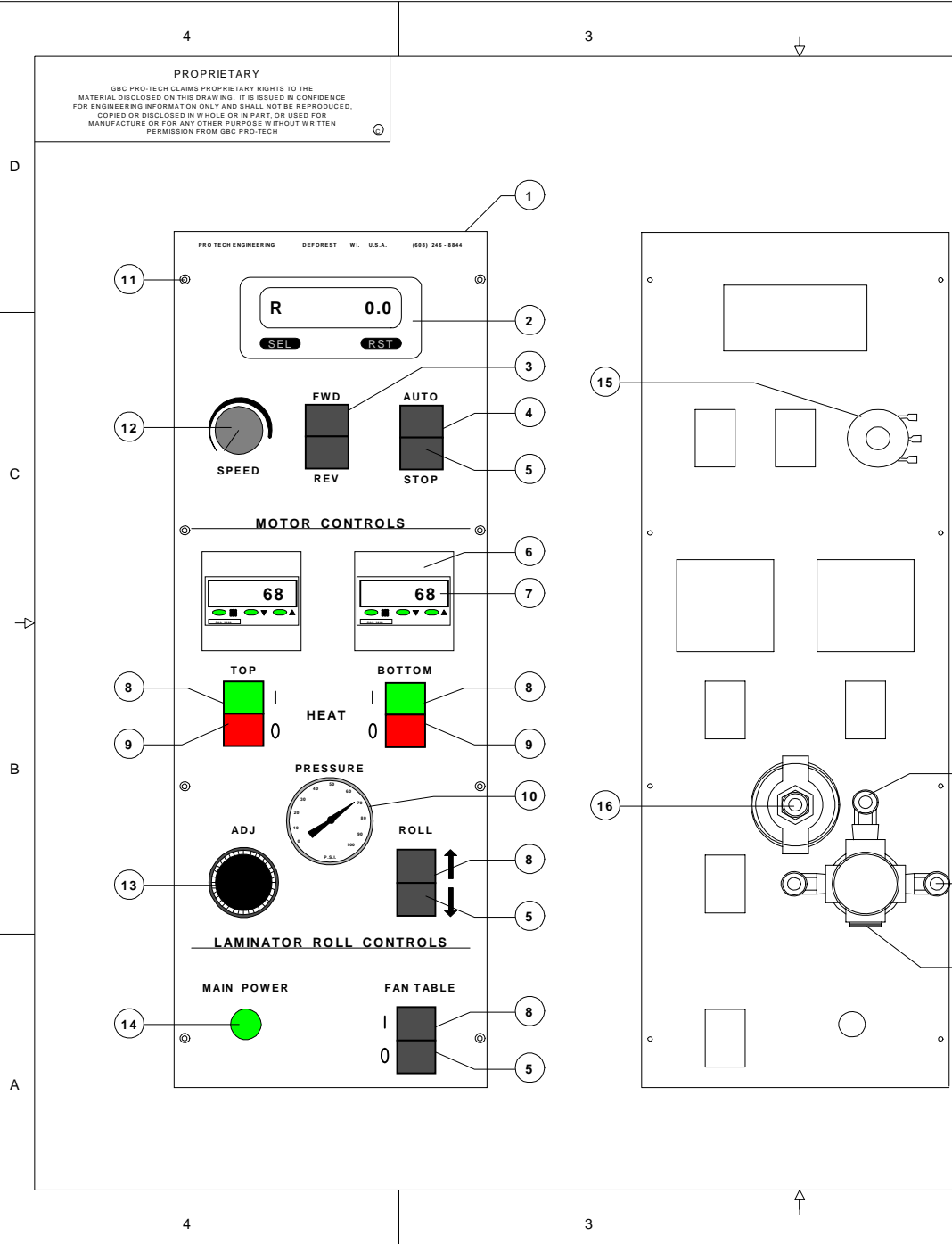


ALL DIMS REFERENCE

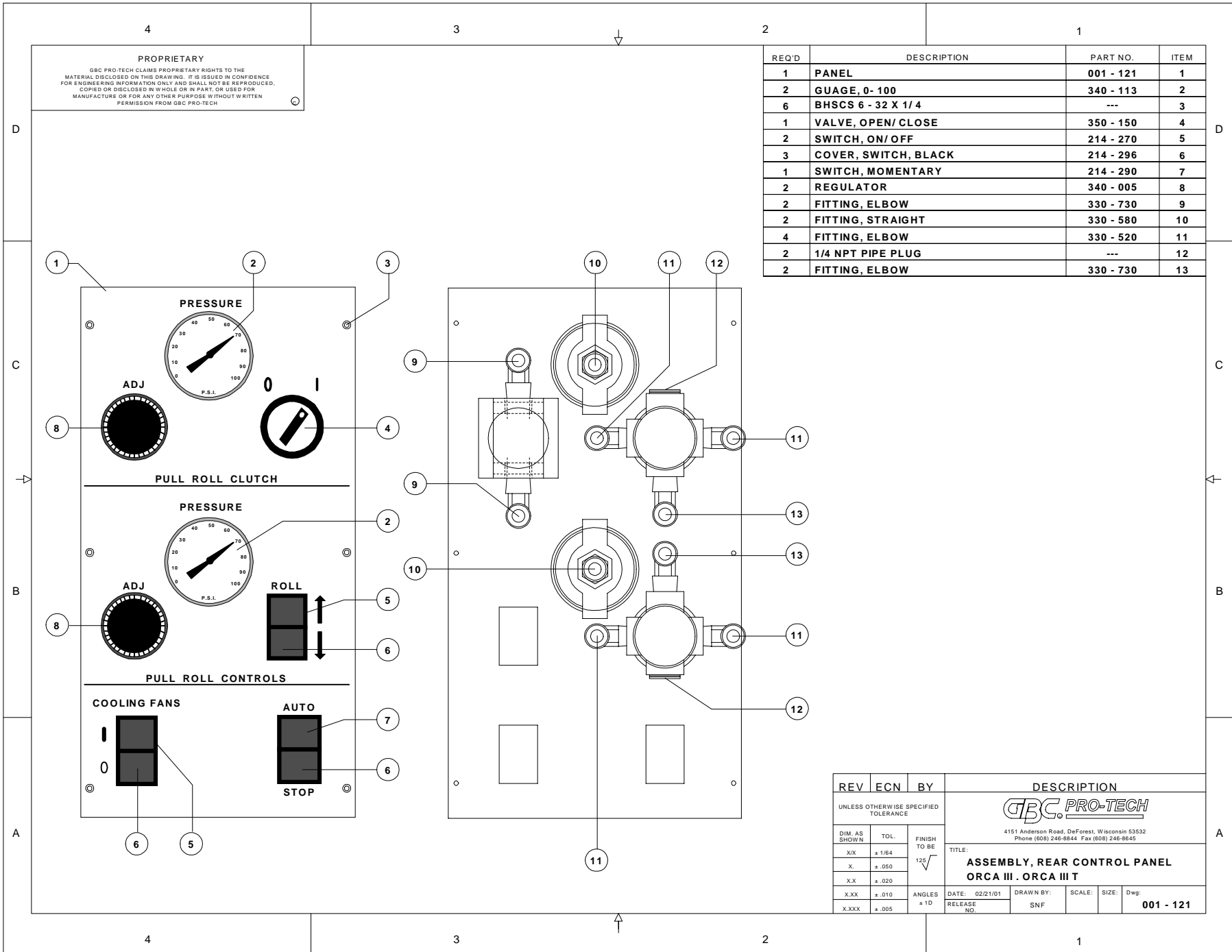
This print is the property of PRO-TECH ENGR. The information thereon is remitted in confidence.			
UNLESS OTHERWISE SPECIFIED TOLERANCE			Pro-Tech Engineering 2117 N. Stoughton Rd. Madison, Wisconsin 53704 Phone (608) 246-8844 Fax (608) 246-8645
DIM. AS SHOWN	TOL.	FINISH TO BE	
X/X	P 1/64	125√	
X.	P .050		
X.X	P .020		
X.XX	P .010	ANGLES P 1D	DATE: 3-16-94
X.XXX	P .005		DRAWN BY: GTS
		DWG SCALE: A1	Dwg: 001-109

REQ'D	DESCRIPTION	PART NO.	ITEM
1	PANEL	001 - 117	1
1	RATE/ TOTALIZER	219 - 000	2
1	SWITCH (TAPED PER 001 - 640)	214 - 280	3
1	SWITCH, MOMENTARY	214 - 290	4
4	COVER, SWITCH, BLACK	214 - 296	5
2	ADAPTOR, TEMPERATURE CONTROLLER	230 - 008	6
2	TEMPERATURE CONTROLLER	230 - 007	7
4	SWITCH, ON/ OFF	214 - 270	8
2	COVER, SWITCH, RED/ GREEN	214 - 295	9
1	GUAGE, 0- 100	340 - 113	10
8	BHSCS 6 - 32 X 1/ 4	---	11
1	KNOB, MOTOR CONTROL	465 - 300	12
1	REGULATOR	340 - 005	13
1	INDICATOR LIGHT, GREEN	194 - 000	14
1	POTENTIOMETER	220 - 161	15
1	FITTING, STRAIGHT	330 - 580	16
1	FITTING, ELBOW	330 - 730	17
2	FITTING, ELBOW	330 - 520	18
1	1/4 NPT PIPE PLUG	---	19
1	FITTING, UNION "Y"	330 - 305	20

REV	ECN	BY	DESCRIPTION				
UNLESS OTHERWISE SPECIFIED TOLERANCE			 4151 Anderson Road, DeForest, Wisconsin 53532 Phone (608) 246-8844 Fax (608) 246-8845				
DIM. AS SHOWN	TOL.	FINISH TO BE					
X/X	± 1/64	125 ✓	TITLE: ASSEMBLY, FRONT CONTROL PANEL ORCA III / ORCA III T				
X.	± .050						
X.X	± .020						
X.XX	± .010						
X.XXX	± .005		DATE: 02/21/01 RELEASE NO.	DRAWN BY: SNF	SCALE:	SIZE:	Dwg: 001 - 117



PROPRIETARY
 GBC PRO-TECH CLAIMS PROPRIETARY RIGHTS TO THE MATERIAL DISCLOSED ON THIS DRAWING. IT IS ISSUED IN CONFIDENCE FOR ENGINEERING INFORMATION ONLY AND SHALL NOT BE REPRODUCED, COPIED OR DISCLOSED IN WHOLE OR IN PART, OR USED FOR MANUFACTURE OR FOR ANY OTHER PURPOSE WITHOUT WRITTEN PERMISSION FROM GBC PRO-TECH

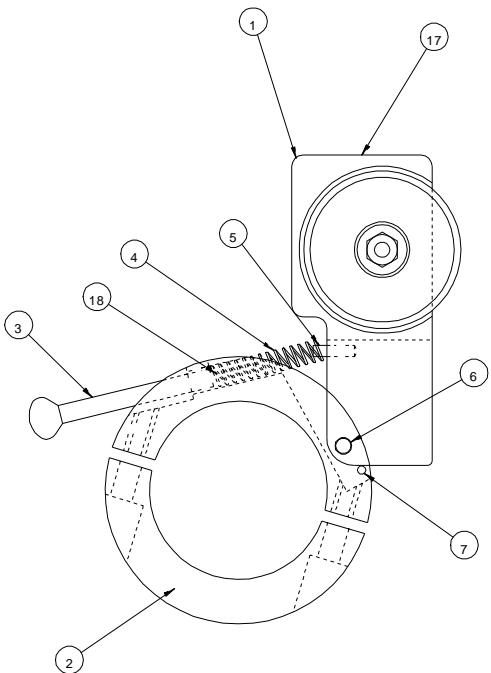


REQ'D	DESCRIPTION	PART NO.	ITEM
1	PANEL	001 - 121	1
2	GAUGE, 0- 100	340 - 113	2
6	BHSCS 6 - 32 X 1/ 4	---	3
1	VALVE, OPEN/ CLOSE	350 - 150	4
2	SWITCH, ON/ OFF	214 - 270	5
3	COVER, SWITCH, BLACK	214 - 296	6
1	SWITCH, MOMENTARY	214 - 290	7
2	REGULATOR	340 - 005	8
2	FITTING, ELBOW	330 - 730	9
2	FITTING, STRAIGHT	330 - 580	10
4	FITTING, ELBOW	330 - 520	11
2	1/4 NPT PIPE PLUG	---	12
2	FITTING, ELBOW	330 - 730	13

REV	ECN	BY	DESCRIPTION
UNLESS OTHERWISE SPECIFIED TOLERANCE			GBC PRO-TECH 4151 Anderson Road, DeForest, Wisconsin 53532 Phone (608) 246-8844 Fax (608) 246-8645
DIM AS SHOWN	TOL.	FINISH TO BE	
X/X	± 1/64	125	
X.	± .050		
X.X	± .020		
X.XX	± .010	ANGLES ± 1D	DATE: 02/21/01
X.XXX	± .005		RELEASE NO.
			DRAWN BY: SNF
			SCALE: SIZE: Dwg: 001 - 121

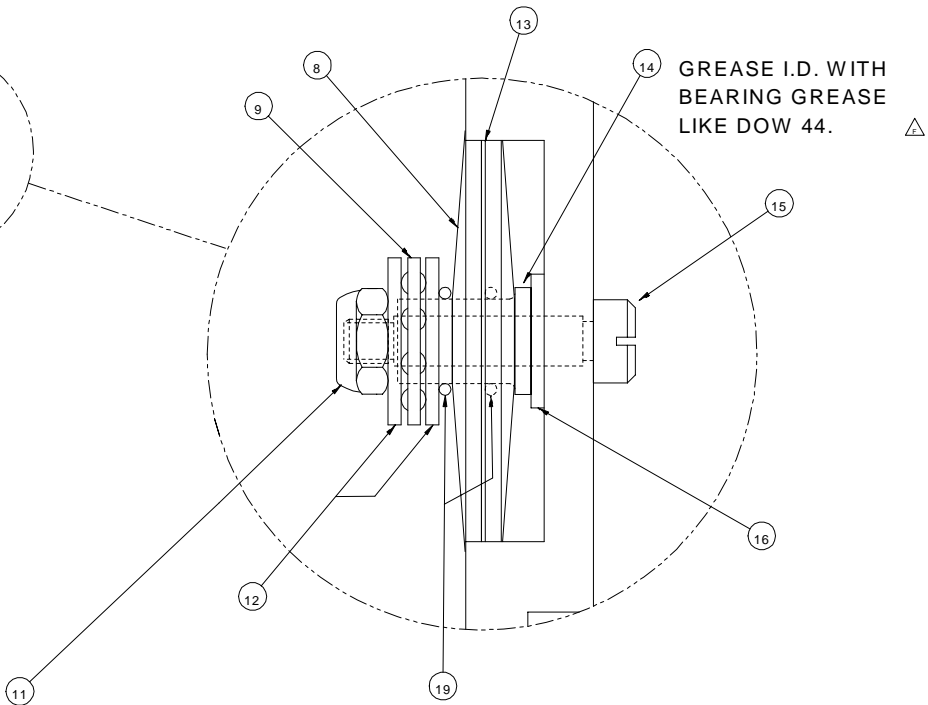
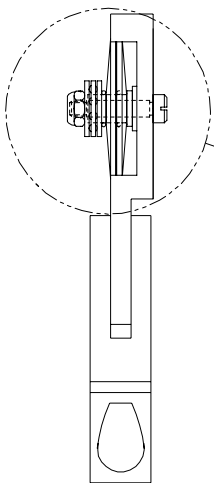
TITLE:
**ASSEMBLY, REAR CONTROL PANEL
 ORCA III . ORCA III T**

REQD	DESCRIPTION	PART NO.	ITEM
1	ARM, SLITTER	740-006	1
1	COLLAR, INFEED SLITTER	740-052	2
1	SCREW, THUMB	505-010	3
1	SPRING, TENSION	089-150	4
1	ROLL PIN, 1/8 X 1/2 LG	095-100	5
1	DOWEL PIN, 3/16 X 1/2 LG	095-140	6
1	ROLL PIN, 3/32 X 5/8 LG	095-120	7
2	WASHER, CONCAVE	740-007	8
1	BEARING, THRUST, 5/16 X 5/8	032-003	9
△	-	-	10
1	NUT, NYLOCK, 8-32	-	11
2	WASHER, THRUST, 5/16 X 5/8	032-004	12
1	BLADE, SLITTER, CIRCULAR	475-001	13
△	FLANGED BUSHING, STEEL	040-037	14
△	STRIP, 3/16 X 3/4	050-032	15
1	WASHER, THRUST, 3/16 X 1/2	032-005	16
1	LABEL, WARNING	450-012	17
1	RIVET, FLTHEAD, 1/8 X 1/4 X 1/4 LG	-	18
2	O-RING	480-030	19
△	2 SHCS,STAINLESS STEEL 5/16-24 X 3/4	-	20

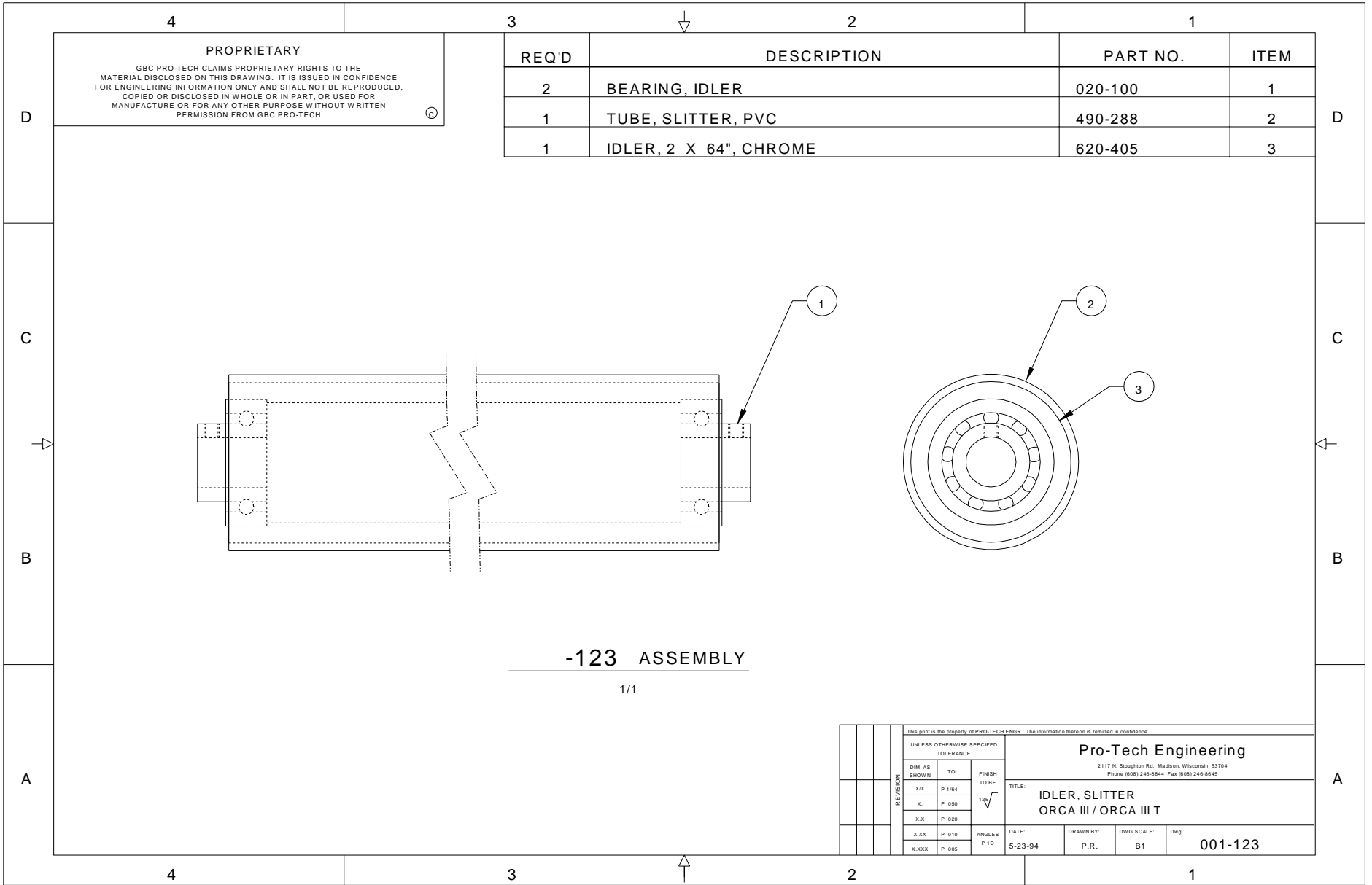


△ NOTE:REPLACE SUPPLIED BOLTS WITH ITEM 20

- △ TIGHTEN -11- ONTO -15- UNTIL ALL OF -9- IS PILOTED ON -14-. THE -13- AND -14- MUST ROTATE FREELY TOGETHER ON -15-.
- △ BLUE LOCTITE -11- TO -15-.



3270	3006	2591	1122	1013	0667	0442
REV	DATE	BY	CHK	APP	REV	DATE
G						
<small>UNLESS OTHERWISE SPECIFIED TOLERANCE</small> DIM. AS SHOWN TOL: F FINISH .XX P.100 .XX P.100 .XX P.100 .XXX P.100 .XXX P.100 .XXX P.100 .XXX P.100 .XXX P.100 .XXX P.100						
Pro-Tech Engineering 217 N. Douglas Rd. Madison, Wisconsin 53704 Phone (608) 248-8844 Fax (608) 248-8845				TITLE: SLITTER, INPUT / OUTPUT ORCA III / ORCA III T DATE: 05-16-94 DRAWN BY: P.R. DWG SCALE: C1 Dwg: 001-122		



PROPRIETARY
 GBC PRO-TECH CLAIMS PROPRIETARY RIGHTS TO THE MATERIAL DISCLOSED ON THIS DRAWING. IT IS ISSUED IN CONFIDENCE FOR ENGINEERING INFORMATION ONLY AND SHALL NOT BE REPRODUCED, COPIED OR DISCLOSED IN WHOLE OR IN PART, OR USED FOR MANUFACTURE OR FOR ANY OTHER PURPOSE WITHOUT WRITTEN PERMISSION FROM GBC PRO-TECH ©

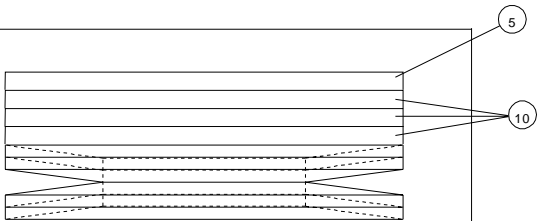
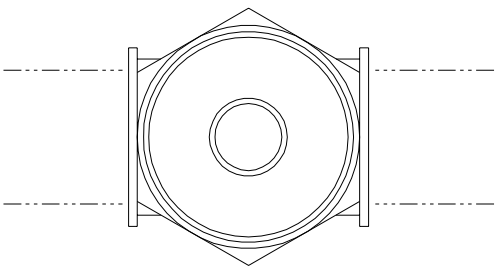
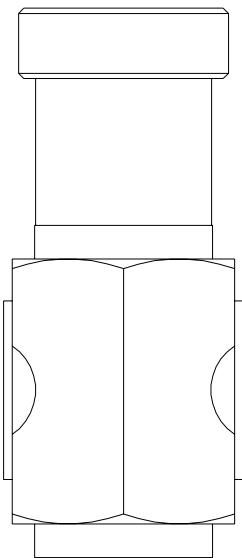
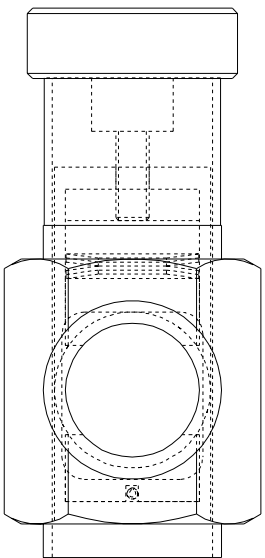
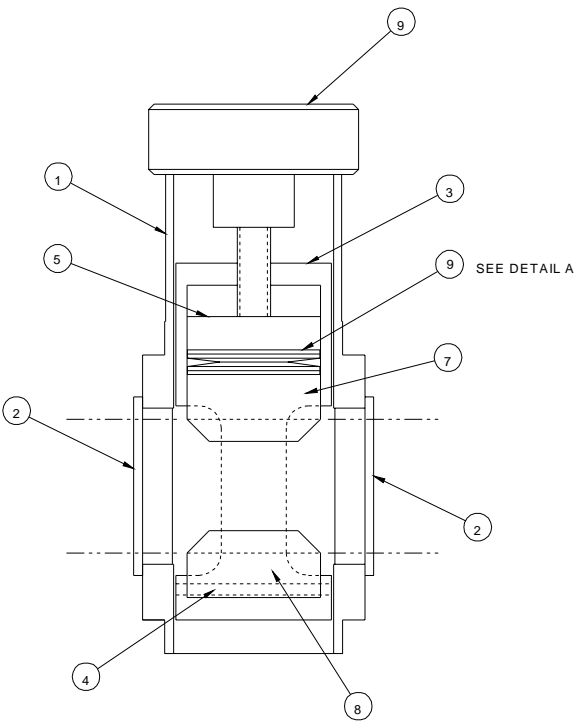
REQ'D	DESCRIPTION	PART NO.	ITEM
2	BEARING, IDLER	020-100	1
1	TUBE, SLITTER, PVC	490-288	2
1	IDLER, 2 X 64", CHROME	620-405	3

-123 ASSEMBLY

1/1

UNLESS OTHERWISE SPECIFIED TOLERANCE				Pro-Tech Engineering 2117 N. Stoughton Rd. Madison, Wisconsin 53704 Phone (608) 248-8844 Fax (608) 248-8645			
DIM AS SHOWN		TOL.	FINISH TO BE		TITLE:		
X.X	P.1/64		12 $\sqrt{\text{V}}$		IDLER, SLITTER ORCA III / ORCA III T		
X.	P.050				DATE:	DRAWN BY:	DWG SCALE:
X.X	P.020				5-23-94	P.R.	B1
X.XX	P.010		ANGLES P 1 D		Dwg: 001-123		
X.XXX	P.005						

REQD	DESCRIPTION	PART NO.	ITEM
1	PIN, PIVOT, UNWIND	625 - 008	1
2	BUSHING, FLANGE, NYLON	500 - 006	2
1	HOUSING, BRAKE	625 - 022	3
1	ROLL PIN, 1/8 X 1-3/4	095 - 105	4
1	PISTON, BRAKE	625 - 028	5
4	SPRING, DISC, 3/4 X 1-1/2	089 - 009	6
1	PAD, BRAKE, TOP	625 - 027	7
1	PAD, BRAKE, BOTTOM	625 - 027	8
1	KNOB, ADJUSTMENT, BRAKE	465 - 020	9
1	WASHER, 9/ 16"	---	10



UDETAIL A
DISC SPRING ORIENTATION

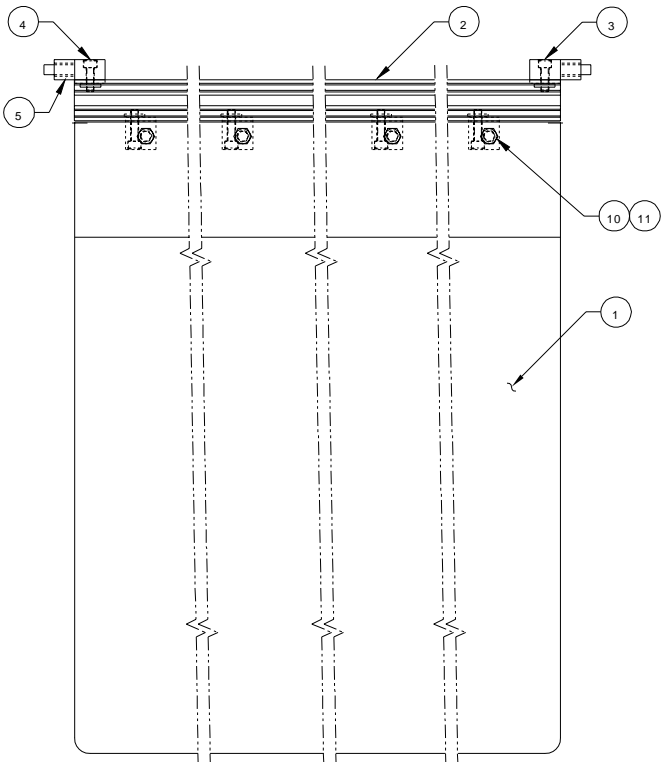
3X SCALE

REV	2536	SHEET 1 OF 1		 4151 Anderson Road, DeForest, Wisconsin 53532 Phone (808) 246-8844 Fax (808) 246-8845
DATE	2507	UNLESS OTHERWISE SPECIFIED TOLERANCE		
REV	1166	DIM AS SHOWN	TOL.	TITLE: ASSEMBLY, BRAKE ORCA III / ORCA III T
REV	1161	XX	F 1/64	
REV	0937	X	F .050	DATE: 11-15-94 RELEASE: _____ DRAWN BY: RAS SCALE: 1/1 SIZE: C Dwg: 001-158
REV		XX	F .020	
REV		X.XX	F .010	
REV		X.XXX	F .005	

REQ'D	DESCRIPTION	PART NO.	ITEM
1	SHIELD, MAIN ROLL	585-006	1
1	ALUMINUM EXTRUSION, 1010 X 68"	110-013	2
1	HINGE, LIFTOFF, #2073, RH	100-012	3
1	HINGE, LIFTOFF, #2074, LH	100-013	4
2	SPACER, ROUND PLASTIC, 1/2 X 1/2	040-006	5
4	MOUNT, PANEL, #2427	100-014	6
4	SCREW, NYLON, HEX HEAD, 1/4-20 X 3/4	-	10

PROPRIETARY
 GBC PRO-TECH CLAIMS PROPRIETARY RIGHTS TO THE MATERIAL DISCLOSED ON THIS DRAWING. IT IS ISSUED IN CONFIDENCE FOR ENGINEERING INFORMATION ONLY AND SHALL NOT BE REPRODUCED, COPIED OR DISCLOSED IN WHOLE OR IN PART, OR USED FOR MANUFACTURE OR FOR ANY OTHER PURPOSE WITHOUT WRITTEN PERMISSION FROM GBC PRO-TECH

NOTES:
 1. INTERPRET DRAWING PER ANSI Y14.5M-1982

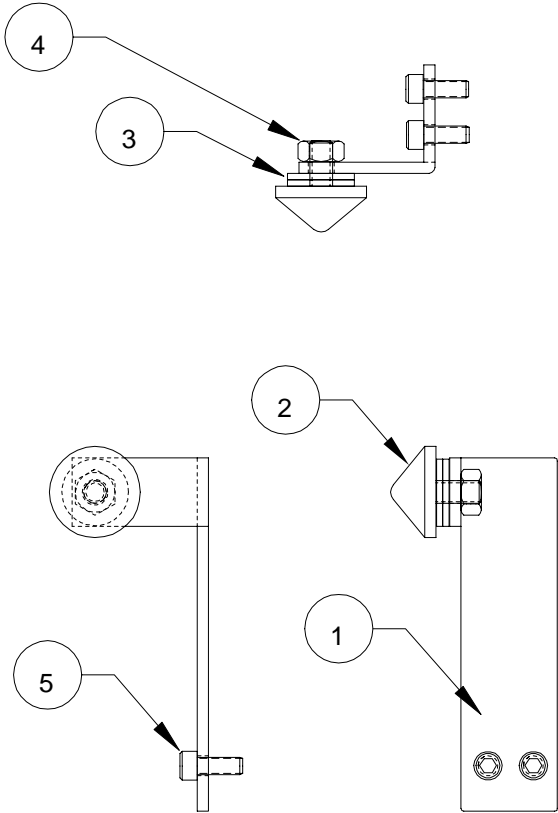


-164 ASSEMBLY

SCALE: 1/2

REV	2743	SHEET 1 OF 1		UNLESS OTHERWISE SPECIFIED TOLERANCE		GBC PRO-TECH	
DATE	2712	DM. AS SHOWN	TOL.	FINISH TO BE	4151 Anderson Road, DeForest, Wisconsin 53532 Phone (858) 246-8844 Fax (858) 246-8645		
APP'D	2624	±.XX	±.1MM	12/	TITLE: ASSY SHIELD MAIN ROLL		
DESIGNER		±.X	±.250		ORCA III / ORCA III T		
DATE		±.XX	±.250	ANGLES	DATE	08-12-04	DRAWN BY:
RELEASE		±.XXX	±.250	P. 10	RELEASE		P.R.
							SCALE: 1/1
							SIZE: C
							Proj: 001-164

REQ'D	DESCRIPTION	PART NO.	ITEM
1	BRKT, SHIELD, STOP, RIGHT	510 - 096	1
1	BUMPER, RUBBER, CONICAL	465-500	2
3	WASHER, FLAT, 1/4"	-	3
1	NUT, 1/4-20	-	4
2	SCREW, CAP, 10-32 X 1/2 LG	-	5

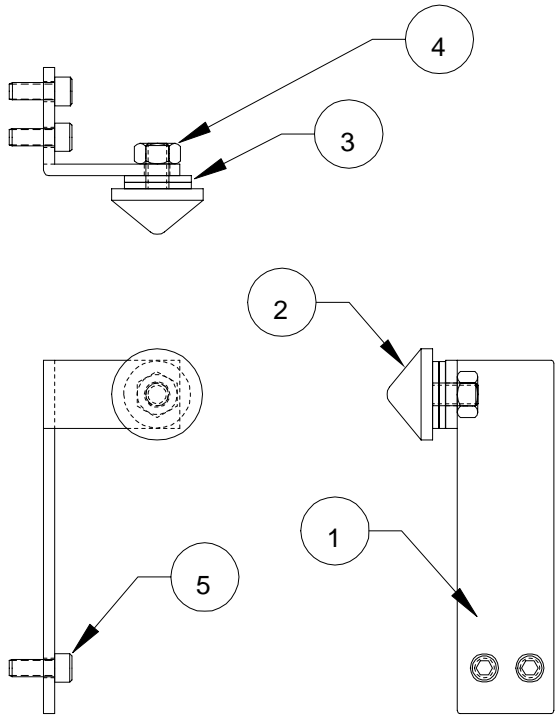


- 165 ASSEMBLY

SCALE: 1/2

This print is the property of PRO-TECH ENGR. The information thereon is remitted in confidence.							
UNLESS OTHERWISE SPECIFIED TOLERANCE			Pro-Tech Engineering 2117 N. Stoughton Rd. Madison, Wisconsin 53704 Phone (608) 246-8844 Fax (608) 246-8645				
DIM. AS SHOWN	TOL.	FINISH TO BE					
X/X	P 1/64	$125\sqrt{\quad}$	TITLE: ASS'Y, BRACKET, STOP, SHIELD RIGHT - ORCA III / ORCA III T				
X.	P .050						
X.X	P .020						
X.XX	P .010	ANGLES P 1D					
X.XXX	P .005						

REQ'D	DESCRIPTION	PART NO.	ITEM
1	BRKT, STOP, SHIELD, LF	510-097	1
1	BUMPER, RUBBER, CONICAL	465-500	2
3	WASHER, FLAT, 1/4"	-	3
1	NUT, 1/4-20	-	4
2	SCREW, CAP, 10-32 X 1/2 LG	-	5

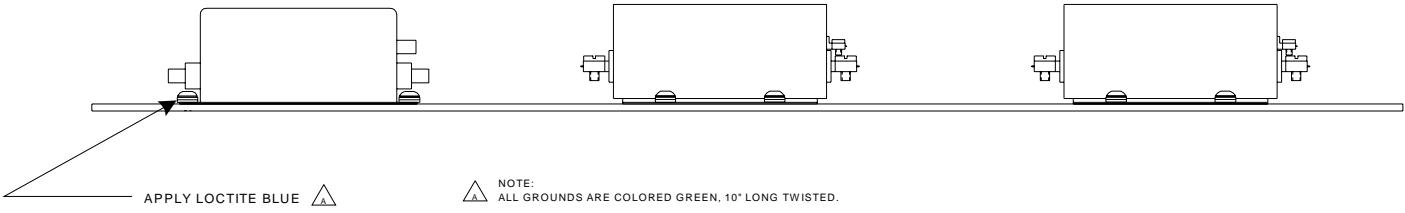
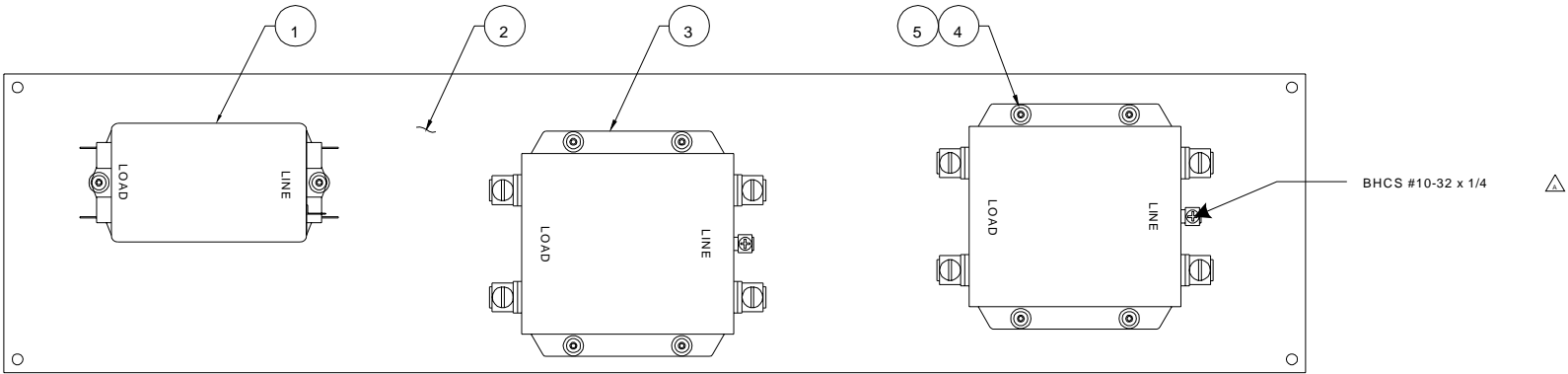


-166 ASSEMBLY

SCALE: 1/2

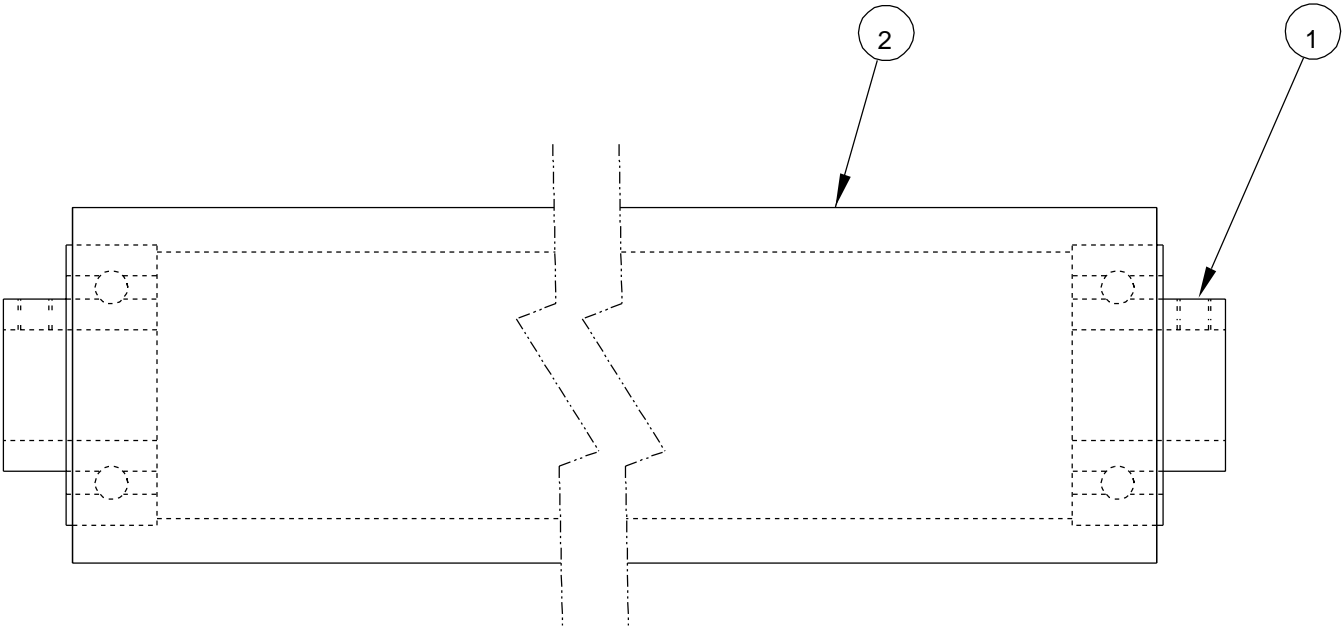
<small>This print is the property of PRO-TECH ENGR. The information thereon is remitted in confidence.</small>							
UNLESS OTHERWISE SPECIFIED TOLERANCE			Pro-Tech Engineering 2117 N. Stoughton Rd. Madison, Wisconsin 53704 Phone (608) 246-8844 Fax (608) 246-8645				
DIM. AS SHOWN	TOL.	FINISH TO BE					
X/X	P 1/64	125√	TITLE: ASS'Y, BRACKET, STOP, SHIELD LEFT - ORCA III / ORCA III T				
X.	P .050						
X.X	P .020						
X.XX	P .010	ANGLES P 1D		DATE: 8-17-94	DRAWN BY: P.R.	DWG SCALE: A2	Dwg: 001-166
X.XXX	P .005						

REQ'D	DESCRIPTION	PART NO.	ITEM
1	FILTER, MOTOR BOARD	185-003	1
1	PLATE, FILTER MOUNT	672-013	2
2	FILTER, AC LINE	185-002	3
10	BHCS, 6-32 X 1/4	-	4
10	WASHER, FLAT, #6	-	5



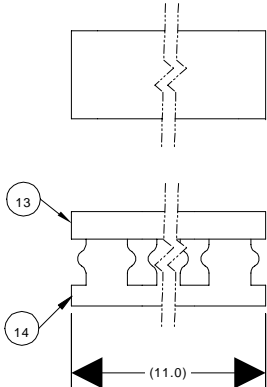
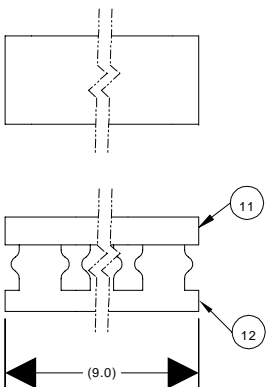
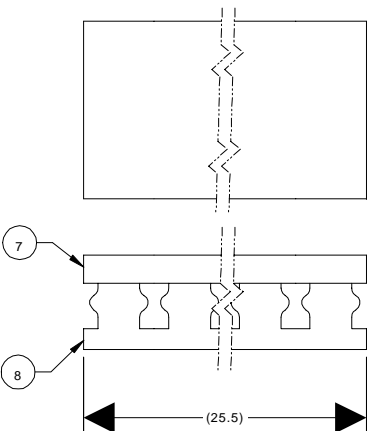
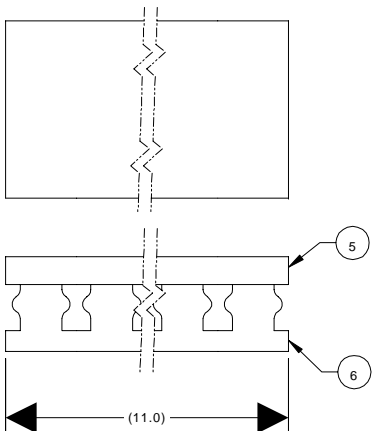
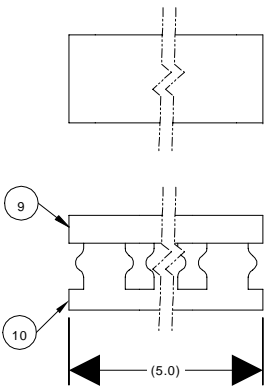
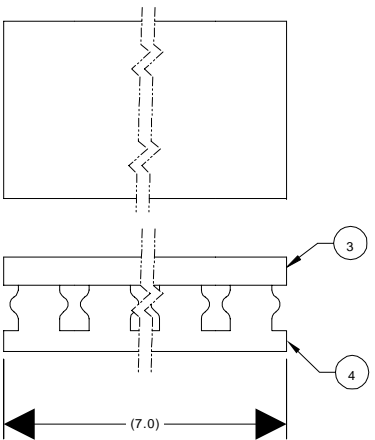
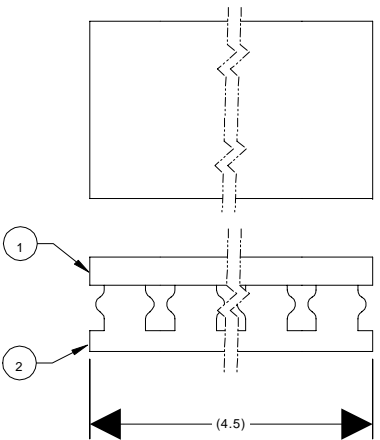
UNLESS OTHERWISE SPECIFIED TOLERANCE		Pro-Tech Engineering 3117 N. Douglas St., Milwau., Wisconsin 53214 Phone (408) 240-8844 Fax (408) 246-8646	
DWG. AS SHOWN	TOL.	FINISH TO ME	TITLE
XX	P. 104	✓	ASSEMBLY, NOISE FILTER
X	P. 050		ORCA III / ORCA III T
XX	P. 030		
X XX	P. 010	ANGLES	DATE: 12-30-94
X XXX	P. 005	P 10	DRAWN BY: P.R. DWG SCALE: C2
			001-225

REQ'D	DESCRIPTION	PART NO.	ITEM
2	BEARING, IDLER	020-100	1
1	IDLER, 2 X 64", CHROME	620-405	2



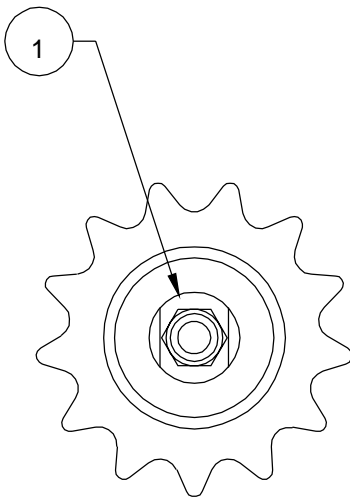
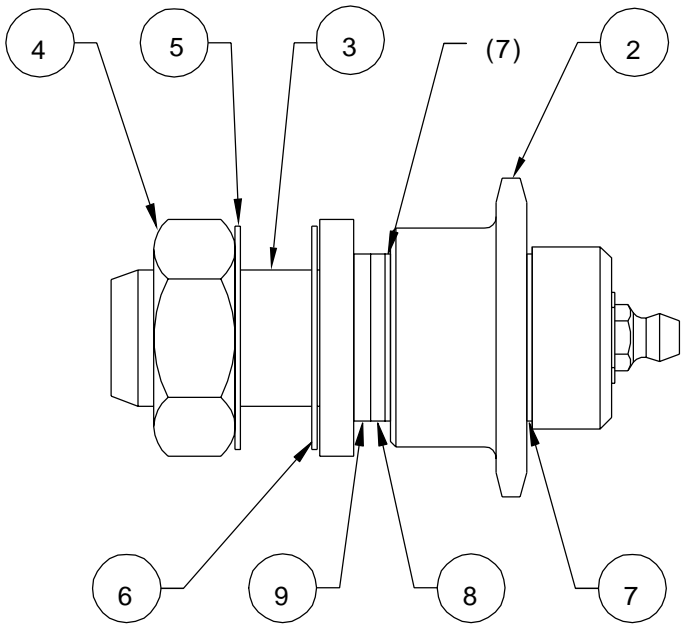
This print is the property of PRO-TECH ENGR. The information thereon is remitted in confidence.						
UNLESS OTHERWISE SPECIFIED TOLERANCE			Pro-Tech Engineering 2117 N. Stoughton Rd. Madison, Wisconsin 53704 Phone (608) 246-8844 Fax (608) 246-8645			
DIM. AS SHOWN	TOL.	FINISH TO BE				
X/X	P 1/64	125√	TITLE: ASSY, IDLER ORCA III / ORCA III T			
X.	P .050					
X.X	P .020					
X.XX	P .010	ANGLES P 1D	DATE: 1-10-95	DRAWN BY: K.L.	DWG SCALE: A1	Dwg: 001-226
X.XXX	P .005					

REQD	DESCRIPTION	PART NO.	ITEM
1	DUCT COVER, 2", 4 - 1/2" LG	180-120	1
1	DUCT BASE, 2", 4-1/2" LG WITH ADHESIVE	180-100	2
1	DUCT COVER, 2", 7" LG	180-120	3
1	DUCT BASE, 2", 7" LG WITH ADHESIVE	180-100	4
1	DUCT COVER, 2", 11" LG	180-120	5
1	DUCT BASE, 2", 11" LG WITH ADHESIVE	180-100	6
1	DUCT COVER, 2", 25-1/2" LG	180-120	7
1	DUCT BASE, 2", 25-1/2" LG WITH ADHESIVE	180-100	8
2	DUCT COVER, 1", 5" LG	180-130	9
2	DUCT BASE, 1", 5" LG WITH ADHESIVE	180-110	10
1	DUCT COVER, 1", 9" LG	180-130	11
1	DUCT BASE, 1" 9" LG WITH ADHESIVE	180-110	12
1	DUCT COVER, 1", 11" LG	180-130	13
1	DUCT BASE, 1", 11" LG WITH ADHESIVE	180-110	14



UNLESS OTHERWISE SPECIFIED TOLERANCE				Pro-Tech Engineering 2117 N. Doughton Rd. Melton, WA 5304 Phone (08) 246-8884 Fax (08) 246-8842			
DM AS SHOWN	TOL:	F INCH TO MM	TITLE: ASSEMBLY, PANDUIT MAIN CHASSIS ORCA III / ORCA III T				
XX	F 1/64		DATE: 08-16-95				
X	F .050	100°	DRAWN BY: P.R.				
XX	F .020		DWG SCALE: C1				
XXX	F .010	ANGLES P-10	Dwg: 001-231				
XXX	F .005						

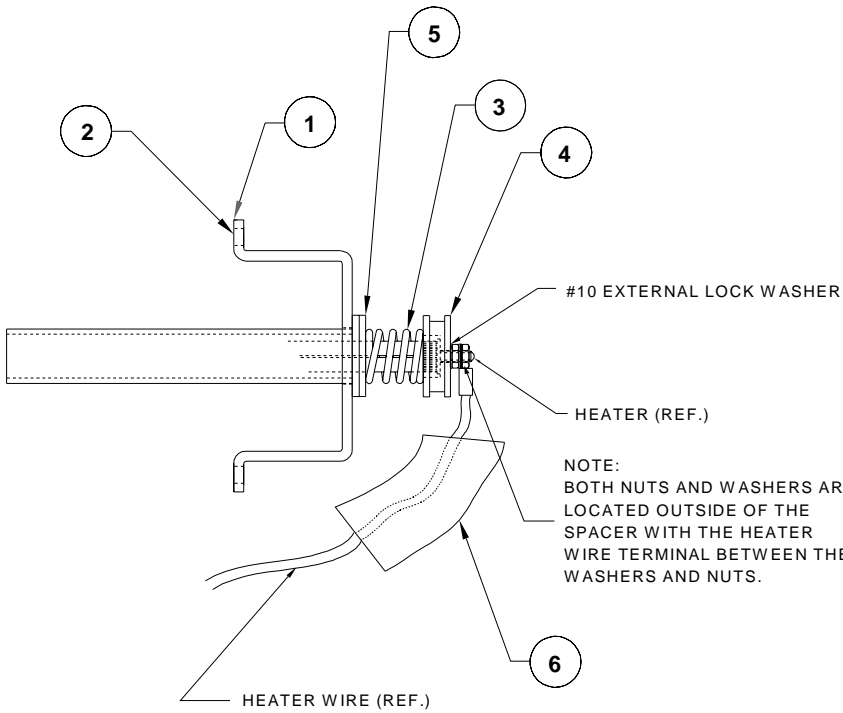
REQ'D	DESCRIPTION	PART NO.	ITEM
1	SHAFT, IDLER	440-110	1
1	SPROCKET, 13T	440-125	2
1	BOLT, MOD., 3/4-16 X 1	505-002	3
1	NUT, JAM, 3/4-16	-	4
1	WASHER, THRUST	032-291	5
1	WASHER, STAR, INT. TOOTH, 3/4	068-002	6
2	WASHER, THRUST	032-130	7
1	BEARING, THRUST	032-120	8
1	WASHER, THRUST	032-145	9



This print is the property of PRO-TECH ENGR. The information thereon is remitted in confidence.						
UNLESS OTHERWISE SPECIFIED TOLERANCE			Pro-Tech Engineering 2117 N. Stoughton Rd. Madison, Wisconsin 53704 Phone (608) 246-8844 Fax (608) 246-4685			
DIM. AS SHOWN	TOL.	FINISH TO BE				
X/X	P 1/64	$\sqrt{125}$	TITLE: ASSEMBLY, SPROCKET, IDLER, ADJUSTABLE OUTER - ORCA III / ORCA III T			
X.	P .050					
X.X	P .020					
X.XX	P .010	ANGLES P 1D		DATE: 2-23-95	DRAWN BY: P.R.	DWG SCALE: A1
X.XXX	P .005					

REQ'D	DESCRIPTION	PART NO.	ITEM
1	BRACKET, HEATER, TOP DRIVE SIDE	510 - 165	1
2	SHCS, 1/4 - 20 X 1/2 LG	---	2
1	SPRING	089 - 200	3
1	SPACER, HEATER SPRING	755 - 061	4
2	FLAT WASHER, 3/4 DIA., SMALL	---	5
3 *	INSULATING SLEEVE	180 - 006	6

FASTENAL 33092



NOTE:
BOTH NUTS AND WASHERS ARE
LOCATED OUTSIDE OF THE
SPACER WITH THE HEATER
WIRE TERMINAL BETWEEN THE
WASHERS AND NUTS.

PROPRIETARY
GBC PRO-TECH CLAIMS PROPRIETARY RIGHTS TO THE
MATERIAL DISCLOSED ON THIS DRAWING. IT IS ISSUED IN CONFIDENCE
FOR ENGINEERING INFORMATION ONLY AND SHALL NOT BE REPRODUCED,
COPIED OR DISCLOSED IN WHOLE OR IN PART, OR USED FOR
MANUFACTURE OR FOR ANY OTHER PURPOSE WITHOUT WRITTEN
PERMISSION FROM GBC PRO-TECH

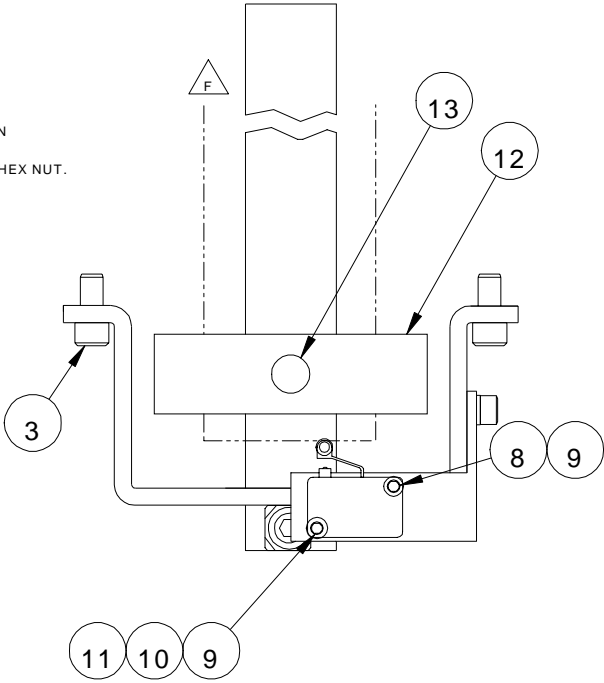
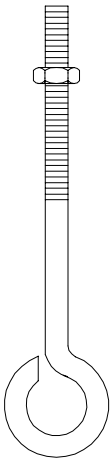
E	3545	AJH	5/26/95	
D	2734	AJH	4/24/97	
C	2523	RLM	3/06/96	
B	1183	PR	11/02/95	
A	0996	PR	5/22/95	
REV	ECN	BY	DESCRIPTION	
UNLESS OTHERWISE SPECIFIED TOLERANCE				 4151 Anderson Road, DaForest, Wisconsin 53532 Phone (608) 246-8844 Fax (608) 246-8645
DIM. AS SHOWN	TOL.	FINISH TO BE	TITLE:	
X/X	± 1/64	125 ✓	ASSEMBLY, BRACKET, HEATER, DRIVE SIDE, TOP ORCA III/ ORCA III T	
X.	± .050			
X.X	± .020			
X.XX	± .010	ANGLES ± 1D	DATE: 02/28/95	DRAWN BY: AJH
X.XXX	± .005		RELEASE NO. -	SCALE: 1/1
				SIZE: E
				Dwg: 001 - 246

REQ'D	DESCRIPTION	PART NO.	ITEM
2	DECAL,DANGER HAZARDOUS VOLTAGE	450-131	1
1	DECAL,WARNING MOVING PARTS	450-132	2
2	DECAL,WARNING CRUSH AND BURN,LEFT	450-133	3
2	DECAL,WARNING CRUSH AND BURN,RIGHT	450-134	4
1	DECAL,WARNING READ MANUAL	450-135	5
1	DECAL,READ SAFETY INSTRUCTIONS	450-136	6
1	DECAL,WARNING,MODIFIED CRUSH/CUT	450-011	7
3	DECAL, ELECTRICAL HAZARD	450-035	8
2	DECAL, ELECTRICAL HAZARD	450-180	9

This print is the property of PRO-TECH ENGR. The information thereon is remitted in confidence.			
UNLESS OTHERWISE SPECIFIED TOLERANCE		Pro-Tech Engineering 2117 N. Stoughton Rd. Madison, Wisconsin 53704 Phone (608) 246-8844 Fax (608) 246-8645	
DIM. AS SHOWN	TOL.	FINISH TO BE 125√	TITLE: KIT, SAFETY LABEL ORCA III / ORCA III T
X/X	P 1/64		
X.	P .050		
X.X	P .020	ANGLES P 1 D	DATE: 3-2-95
X.XX	P .010		
X.XXX	P .005		
REVISION		DRAWN BY: K.L.	DWG SCALE: A1
A	AJH 2/22/89	Dwg: 001-259	
3278			

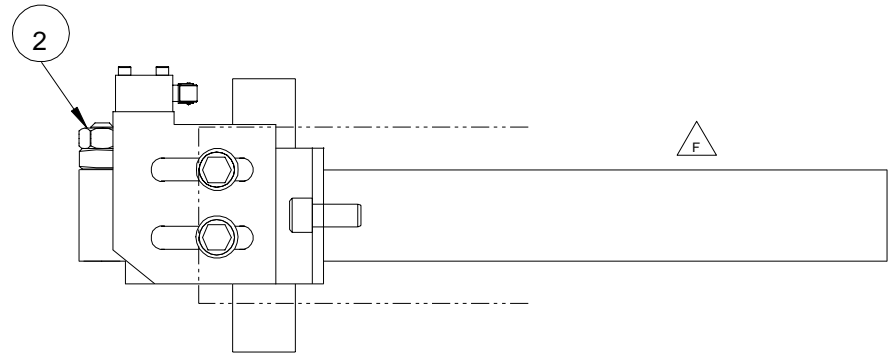
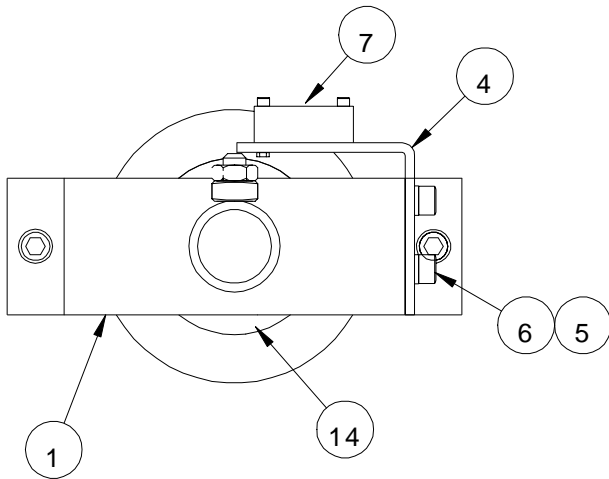
REQ'D	DESCRIPTION	PART NO.	ITEM
1	BRACKET, HEATER, CONTROL SIDE	510-164	1
1	SET SCREW, 1/4-20 X .5 CUP POINT	-	2
2	SHCS, 1/4-20 X .5 LG	-	3
1	BRACKET, MOUNTING, SWITCH, OVERHEAT	510-149	4
2	SHCS, 10-32 X .38	-	5
2	WASHER, FLAT, #10	-	6
1	SWITCH, BASIC, ROLLER LEVER	214-000	7
1	SHCS, #4-40 X .5	-	8
3	WASHER, FLAT, #4	-	9
1	SHCS, #4-40 X .62	-	10
1	NUT, HEX, #4-40	-	11
1	LOCKCOLLAR	290-004	12
1	SETSCREW, 1/2-13, FLAT TIP	-	13
1	NUT, HEX, JAM, 1/4-20	-	14

ITEM 3 NOTE:
USE 1/4-20 X 4 EYE BOLT ON
UPPER BRACKET THIS
LOCATION. SECURE WITH HEX NUT.



ITEM 13 NOTE:
REPLACE STOCK SETSCREW

ITEM 9, 10 & 11 NOTE:
USE WASHER, ITEM 9 ON TOP & BOTTOM.



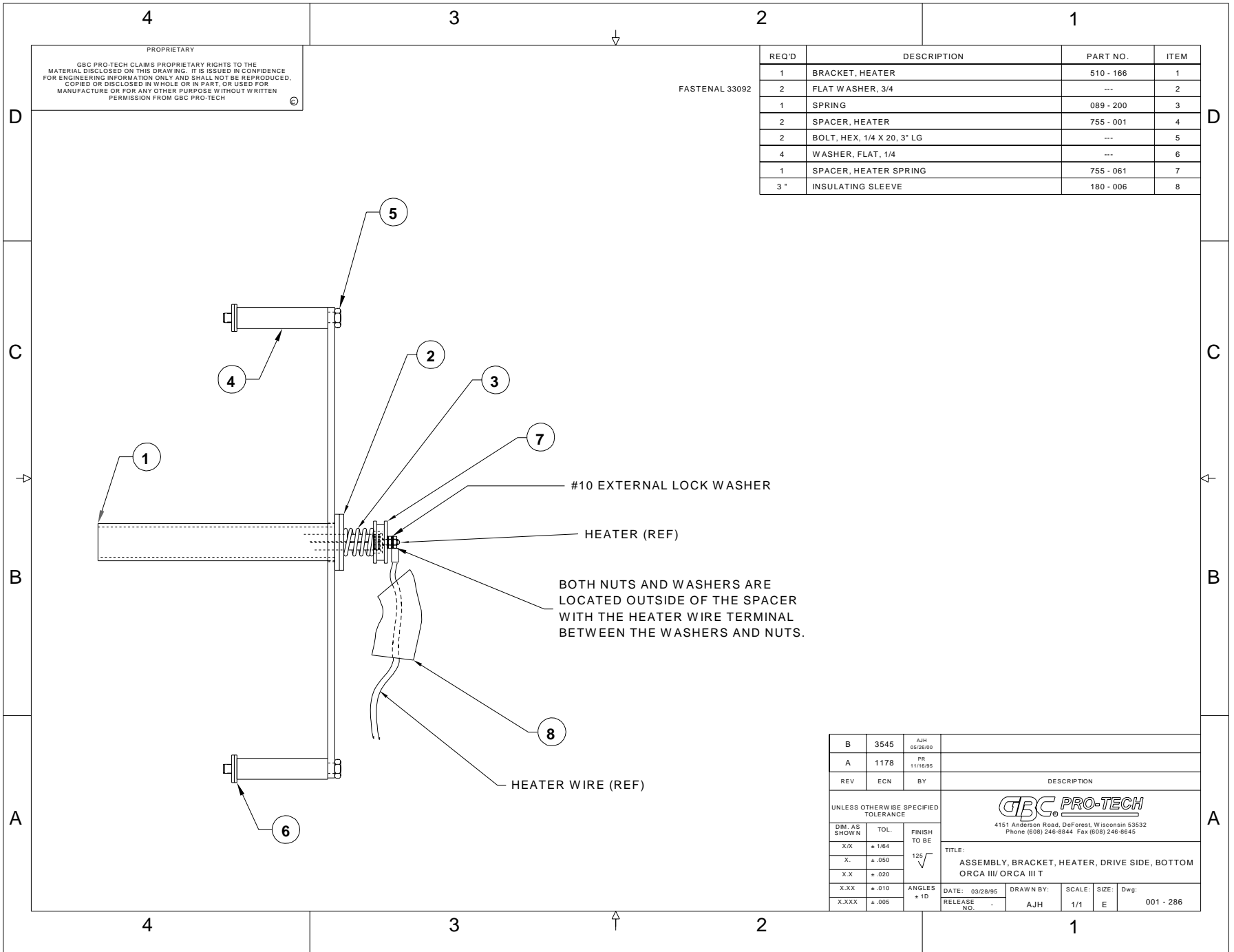
-285 ASSEMBLY

SCALE: 1/2

UNLESS OTHERWISE SPECIFIED TOLERANCE				FRESH TO BE		DATE		DRAWN BY		DWG SCALE		Dwg	
DIM AS SHOWN	TOL	FRESH	TO BE	DATE	DRAWN BY	DWG SCALE	Dwg						
.XX	F 1/64	✓		3-28-95	P.R.	C1	001-285						
.X	F .050												
.XX	F .020												
.XXX	F .010												
.XXX	F .005												

This plan is the property of PRO-TECH ENGR. The minimum message is printed in confidence.
Pro-Tech Engineering
 2117 N. Stegeman Rd. Madison, Wisconsin 53714
 Phone (608) 246-8844 Fax (608) 246-8845

TITLE: ASSY, BRKT, HTR, UPPER & LOWER CONTROL SIDE - ORCA III / ORCA III T

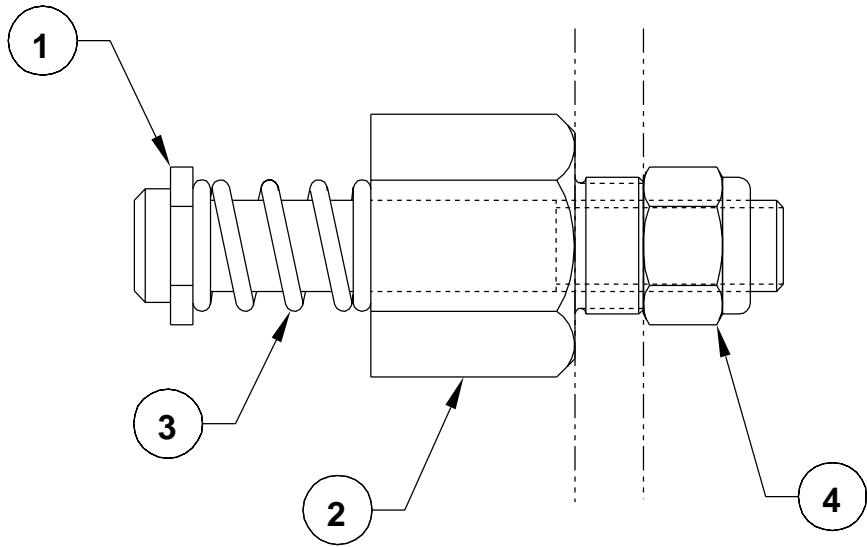


REQ D	DESCRIPTION	PART NO.	ITEM
1	BRACKET, HEATER	510 - 166	1
2	FLAT WASHER, 3/4	---	2
1	SPRING	089 - 200	3
2	SPACER, HEATER	755 - 001	4
2	BOLT, HEX, 1/4 X 20, 3" LG	---	5
4	WASHER, FLAT, 1/4	---	6
1	SPACER, HEATER SPRING	755 - 061	7
3"	INSULATING SLEEVE	180 - 006	8

B	3545	AJH	05/28/00	
A	1178	PK	11/16/95	
REV	ECN	BY	DESCRIPTION	
UNLESS OTHERWISE SPECIFIED TOLERANCE				 4151 Anderson Road, DeForest, Wisconsin 53532 Phone (608) 246-8844 Fax (608) 246-8645
DM, AS SHOWN	TOL.	FINISH TO BE	TITLE:	
X/X	± 1/64	125	ASSEMBLY, BRACKET, HEATER, DRIVE SIDE, BOTTOM ORCA III/ ORCA III T	
X.	± .050	√	DATE: 03/28/95	DRAWN BY: AJH
X.X	± .020		RELEASE NO. -	SCALE: 1/1
X.XX	± .010	ANGLES ± 1D		SIZE: E
X.XXX	± .005			Dwg: 001 - 286

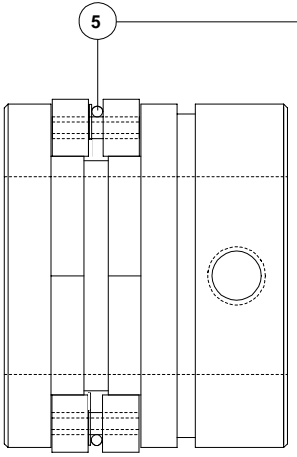
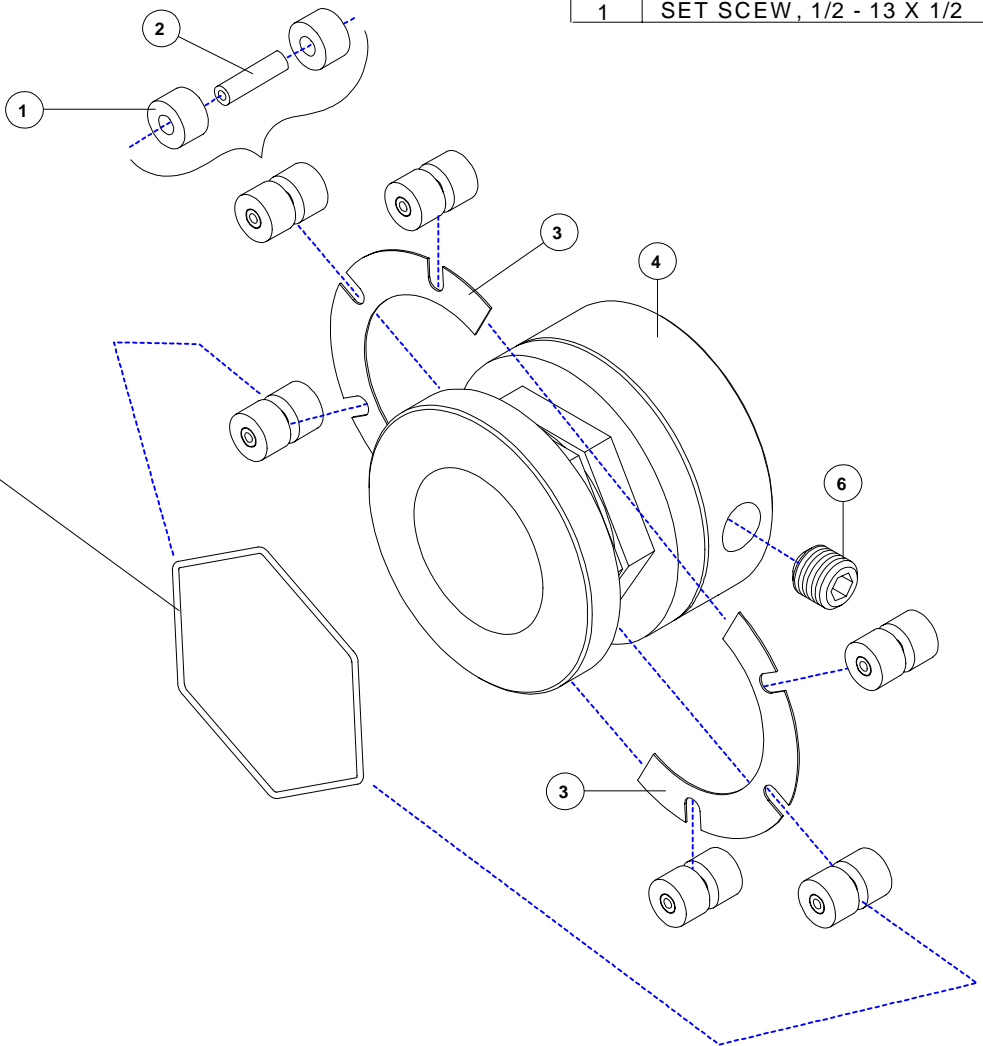
REQ'D	DESCRIPTION	PART NO.	ITEM
1	BOLT, STANDOFF, REMOVABLE IDLER	645-009	1
1	STANDOFF, IDLER, HEX	755-033	2
1	SPRING, COMPRESSION	089-140	3
1	NUT, NYLOCK, 1/2-13	-	4

PROPRIETARY
 GBC PRO-TECH CLAIMS PROPRIETARY RIGHTS TO THE MATERIAL DISCLOSED ON THIS DRAWING. IT IS ISSUED IN CONFIDENCE FOR ENGINEERING INFORMATION ONLY AND SHALL NOT BE REPRODUCED, COPIED OR DISCLOSED IN WHOLE OR IN PART, OR USED FOR MANUFACTURE OR FOR ANY OTHER PURPOSE WITHOUT WRITTEN PERMISSION FROM GBC PRO-TECH



REVISION	SHEET OF				4151 Anderson Road, DeForest, Wisconsin 53532 Phone (608) 246-8844 Fax (608) 246-8645		
	UNLESS OTHERWISE SPECIFIED TOLERANCE						
	DIM. AS SHOWN	TOL.	FINISH TO BE	TITLE: ASSY, STANDOFF, REMOVABLE IDLER ORCA III / ORCA III T			
	X/X	± 1/64	125 √				
	X.	± .050		DATE: 05/31/95	DRAWN BY: PR	SCALE: 1/1	SIZE: A
	X.X	± .020		RELEASE NO.			Dwg: 001-305
X.XX	± .010	ANGLES ± 1D					
X.XXX	± .005						

QTY.	DESCRIPTION	PART NO.	ITEM NO.
12	ROLLER	068 - 013	1
6	PIN	095 - 106	2
2	CORE, CLIP	530 - 037	3
1	CORE	530 - 036	4
1	O-RING	480 - 006	5
1	SET SCREW, 1/2 - 13 X 1/2	---	6

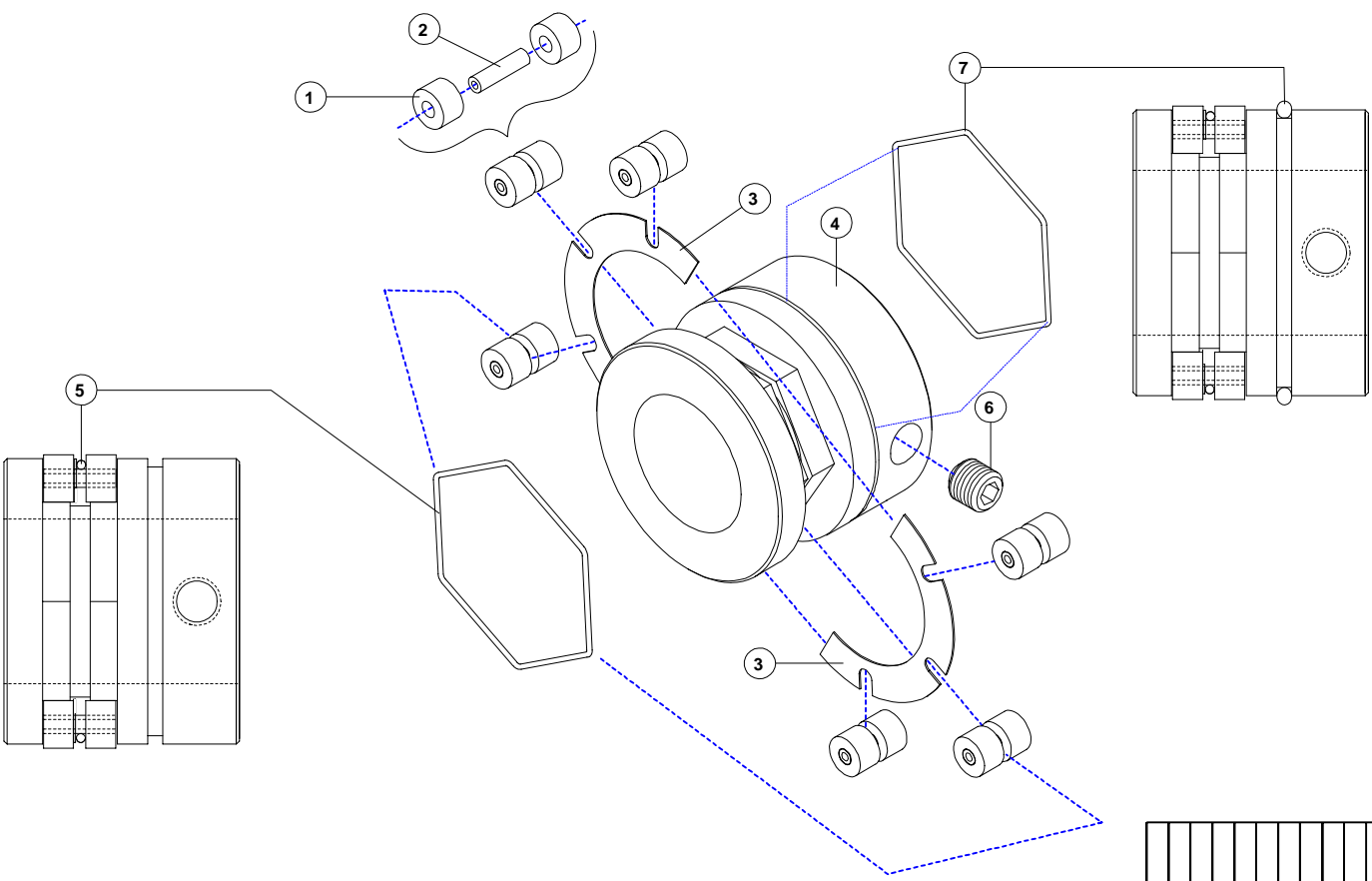


PROPRIETARY
 GBC PRO-TECH CLAIMS PROPRIETARY RIGHTS TO THE MATERIAL DISCLOSED ON THIS DRAWING. IT IS ISSUED IN CONFIDENCE FOR ENGINEERING INFORMATION ONLY AND SHALL NOT BE REPRODUCED, COPIED OR DISCLOSED IN WHOLE OR IN PART, OR USED FOR MANUFACTURE OR FOR ANY OTHER PURPOSE WITHOUT WRITTEN PERMISSION FROM GBC PRO-TECH

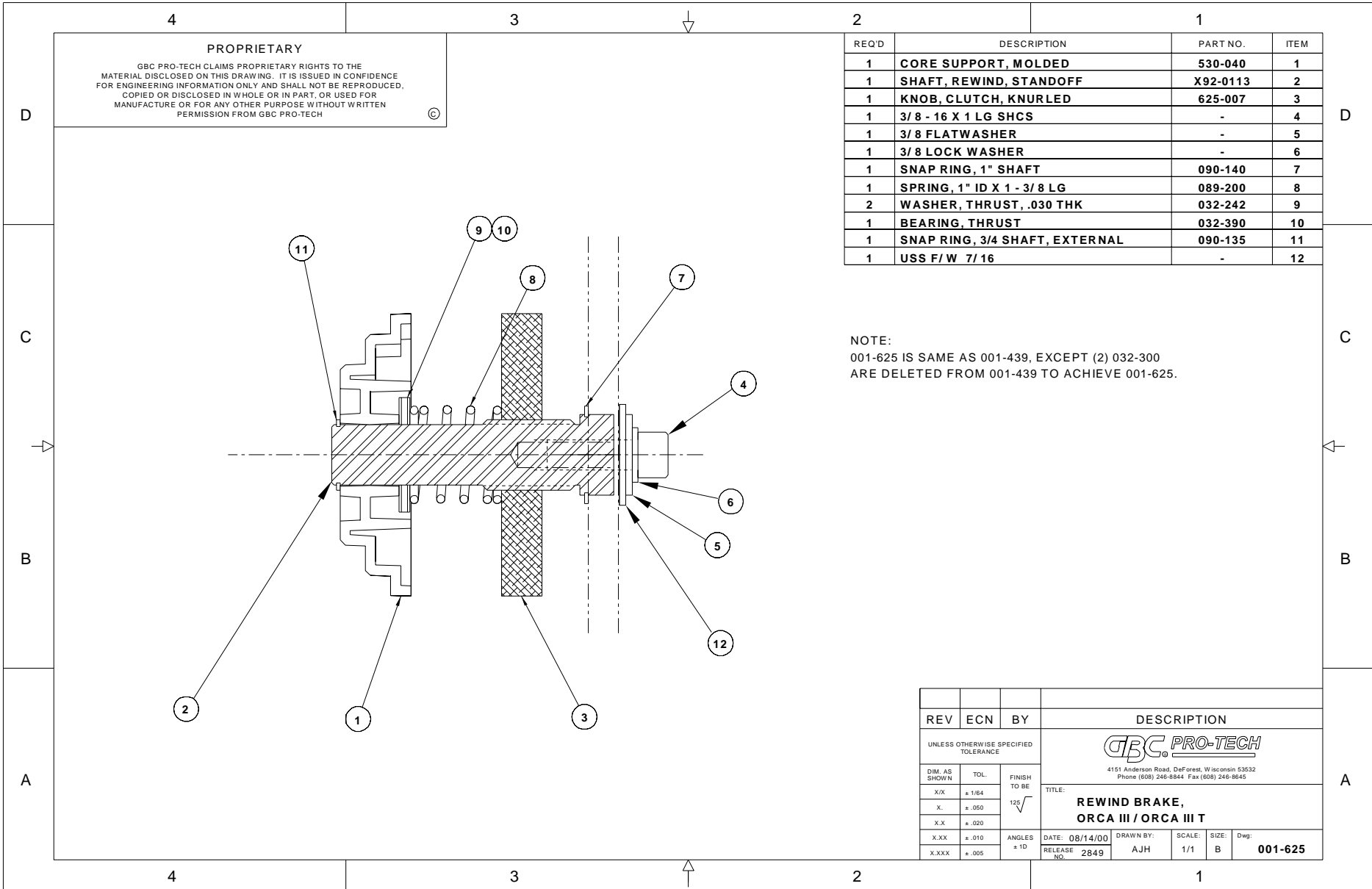
UNLESS OTHERWISE SPECIFIED TOLERANCE				GBC Films Group 4151 Anderson Road, DeForest, WI 53532			
DM. AS SHOWN	TOL.	FINISH TO BE		TITLE :	DATE :	DRAWN BY :	DWG SCALE :
XX	±.184	125	✓	ASSEMBLY, CORE GRIP, SADDLE SIDE	10/10/00	N/A	N/A
X	±.050			ORCA III / ORCA III T			001-601
XX	±.010						
XXX	±.020	ANGLES					
XXXX	±.005	L/D					

QTY.	DESCRIPTION	PART NO.	ITEM NO
12	ROLLER	068 - 013	1
6	PIN	095 - 106	2
2	CORE CLIP	530 - 037	3
1	CORE	530 - 036	4
1	O-RING	480 - 006	5
1	SET SCEW, 1/2 - 13 X 1/2	---	6
1	O-RING	480 - 007	7

PROPRIETARY
 GBC PRO-TECH CLAIMS PROPRIETARY RIGHTS TO THE MATERIAL DISCLOSED ON THIS DRAWING. IT IS ISSUED IN CONFIDENCE FOR ENGINEERING INFORMATION ONLY AND SHALL NOT BE REPRODUCED, COPIED OR DISCLOSED IN WHOLE OR IN PART, OR USED FOR MANUFACTURE OR FOR ANY OTHER PURPOSE WITHOUT WRITTEN PERMISSION FROM GBC PRO-TECH



UNLESS OTHERWISE SPECIFIED TOLERANCE			GBC Films Group 4151 Anderson Road, DeForest, WI 53532			
SIM. AS SHOWN	TOL.	FINISH TO BE	TITLE : ASSEMBLY, CORE GRIP, PIVOT SIDE ORCA III / ORCA III T			
AK	±.164	125	DATE :	DRAWN BY :	DWG SCALE :	DWG :
X	±.089	√	10/10/00	N/A	N/A	001-602
XX	±.018					
XXX	±.009	ANGLES				
XXXX	±.005	±1°				



PROPRIETARY
 GBC PRO-TECH CLAIMS PROPRIETARY RIGHTS TO THE MATERIAL DISCLOSED ON THIS DRAWING. IT IS ISSUED IN CONFIDENCE FOR ENGINEERING INFORMATION ONLY AND SHALL NOT BE REPRODUCED, COPIED OR DISCLOSED IN WHOLE OR IN PART, OR USED FOR MANUFACTURE OR FOR ANY OTHER PURPOSE WITHOUT WRITTEN PERMISSION FROM GBC PRO-TECH

REQ'D	DESCRIPTION	PART NO.	ITEM
1	CORE SUPPORT, MOLDED	530-040	1
1	SHAFT, REWIND, STANDOFF	X92-0113	2
1	KNOB, CLUTCH, KNURLED	625-007	3
1	3/8 - 16 X 1 LG SHCS	-	4
1	3/8 FLATWASHER	-	5
1	3/8 LOCK WASHER	-	6
1	SNAP RING, 1" SHAFT	090-140	7
1	SPRING, 1" ID X 1 - 3/8 LG	089-200	8
2	WASHER, THRUST, .030 THK	032-242	9
1	BEARING, THRUST	032-390	10
1	SNAP RING, 3/4 SHAFT, EXTERNAL	090-135	11
1	USS F/W 7/16	-	12

NOTE:
 001-625 IS SAME AS 001-439, EXCEPT (2) 032-300 ARE DELETED FROM 001-439 TO ACHIEVE 001-625.

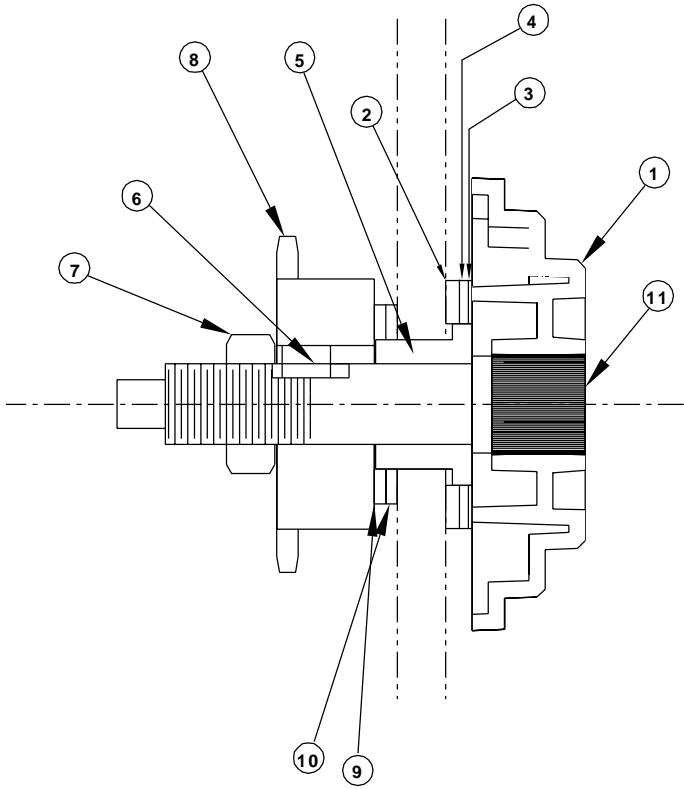
REV	ECN	BY	DESCRIPTION			
UNLESS OTHERWISE SPECIFIED TOLERANCE			 4151 Anderson Road, DeForest, Wisconsin 53532 Phone (608) 246-8844 Fax (608) 246-8645			
TITLE:			REWIND BRAKE, ORCA III / ORCA III T			
DATE: 08/14/00		DRAWN BY: AJH		SCALE: 1/1	SIZE: B	Dwg: 001-625
RELEASE NO: 2849						

DIM. AS SHOWN	TOL.	FINISH TO BE
X.X	± 1/64	125
X.	± .050	
X.X	± .020	
X.XX	± .010	
X.XXX	± .005	

ANGLES	DATE	DRAWN BY	SCALE	SIZE	Dwg
± 1D	08/14/00	AJH	1/1	B	001-625

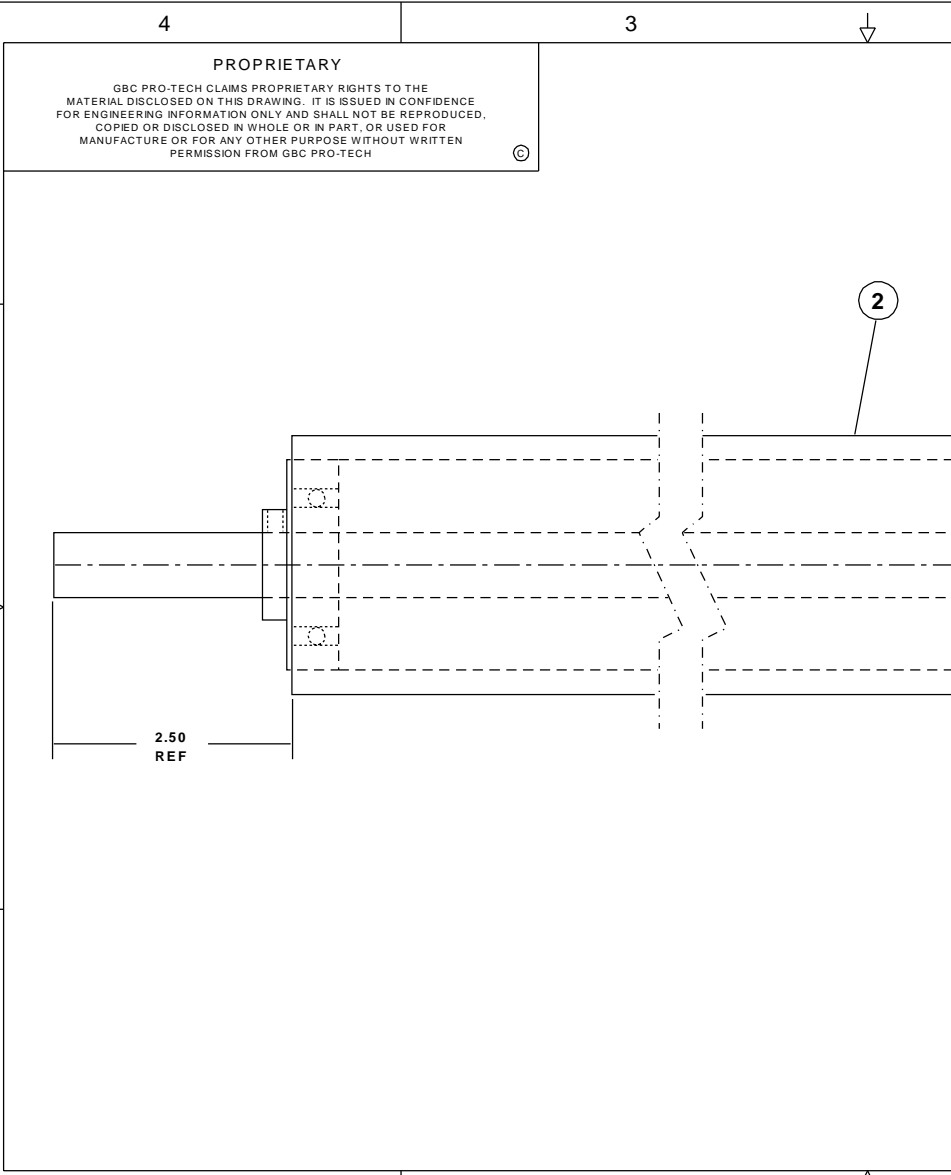
REQ'D	DESCRIPTION	PART NO.	ITEM
1	CORE SUPPORT, MOLDED	530 - 040	1
1	WASHER, THRUST, .090 THK	032 - 420	2
1	WASHER, THRUST, .030 THK	032 - 410	3
1	BEARING, THRUST	032 - 400	4
1	BUSHING	040 - 003	5
1	KEY, 1/4 X 1/4 X 3/8 LG	-	6
1	NYLOCK NUT, 5/8 - 11	-	7
1	SPROCKET, 35BS20 X 5/8	435 - 175	8
2	WASHER, THRUST, .090 THK	032 - 205	9
1	BEARING, THRUST	032 - 190	10
1	SHAFT, REWIND DRIVE	710 - 132	11

PROPRIETARY
 GBC PRO-TECH CLAIMS PROPRIETARY RIGHTS TO THE MATERIAL DISCLOSED ON THIS DRAWING. IT IS ISSUED IN CONFIDENCE FOR ENGINEERING INFORMATION ONLY AND SHALL NOT BE REPRODUCED, COPIED OR DISCLOSED IN WHOLE OR IN PART, OR USED FOR MANUFACTURE OR FOR ANY OTHER PURPOSE WITHOUT WRITTEN PERMISSION FROM GBC PRO-TECH



REV	ECN	BY	DESCRIPTION					
UNLESS OTHERWISE SPECIFIED TOLERANCE			GBC PRO-TECH					
			<small>4151 Anderson Road, DeForest, Wisconsin 53532 Phone (608) 246-8544 Fax (608) 246-8645</small>					
TITLE:			ASSEMBLY, REWIND, DRIVE ORCA III / ORCA III T					
DIM. AS SHOWN		TOL.	FINISH TO BE 125√	DATE:	DRAWN BY:	SCALE:	SIZE:	Dwg:
X/X	± 1/64			08/14/00	AJH	1/1	B	
X.	± .050			RELEASE NO. 2850				001-626
X.X	± .020		ANGLES ± 1D					
X.XX	± .010							
X.XXX	± .005							

REQ'D	DESCRIPTION	PART NO.	ITEM
2	BEARING, IDLER	020 - 100	1
1	IDLER, 2" X 64", POWDER COATED	620 - 406	2
1	SHAFT, IDLER ROLL	710 - 110	3



PROPRIETARY
 GBC PRO-TECH CLAIMS PROPRIETARY RIGHTS TO THE MATERIAL DISCLOSED ON THIS DRAWING. IT IS ISSUED IN CONFIDENCE FOR ENGINEERING INFORMATION ONLY AND SHALL NOT BE REPRODUCED, COPIED OR DISCLOSED IN WHOLE OR IN PART, OR USED FOR MANUFACTURE OR FOR ANY OTHER PURPOSE WITHOUT WRITTEN PERMISSION FROM GBC PRO-TECH

REV	ECN	BY	DESCRIPTION
UNLESS OTHERWISE SPECIFIED TOLERANCE			 4151 Anderson Road, DeForest, Wisconsin 53532 Phone (608) 246-8844 Fax (608) 246-8845
DIM. AS SHOWN	TOL.	FINISH TO BE	
X/X	± 1/64	125 √	
X.	± .050		
X.X	± .020		
X.XX	± .010	ANGLES ± 1D	DATE: 09/28/00
X.XXX	± .005		RELEASE NO: 2996
			DRAWN BY: AJH
			SCALE: 1/1
			SIZE: A
			Dwg: 001 - 633

PROPRIETARY
 GBC PRO-TECH CLAIMS PROPRIETARY RIGHTS TO THE
 MATERIAL DISCLOSED ON THIS DRAWING. IT IS ISSUED IN CONFIDENCE
 FOR ENGINEERING INFORMATION ONLY AND SHALL NOT BE REPRODUCED,
 COPIED OR DISCLOSED IN WHOLE OR IN PART, OR USED FOR
 MANUFACTURE OR FOR ANY OTHER PURPOSE WITHOUT WRITTEN
 PERMISSION FROM GBC PRO-TECH

REQ'D	DESCRIPTION	PART NO.	ITEM
4	ASSY, SLITTER, INFEED/ OUTFEED	001 - 122	1
2	ASSEMBLY, OUTFEED SLITTER	001 - 109	2
4	FUSE, 1-1/4 X 1/4, SB, 3AG	186 - 200	3
4	PAD LEVELING	470 - 100	4
1	TAPE MASKING	475 - 000	5
1	BOX, ACCESSORY	475 - 010	6
1	MEASURE, TAPE	475 - 100	7
1	WRENCH, ALLEN, T-HANDLE, 1/4	475 - 210	8
2	BLADE, HOOKED	475 - 300	9
1	KNIFE, ZIPPY	475 - 620	10
1	COUPLING, 1/4, AIR FITTING	330 - 000	11
1	AIR HOSE, W/ FITTINGS, 12 FT	360 - 000	12
4	O-RING, BRAKE	480 - 005	13
1	ERASER, CHARRETTE	930320	14
1	MANUAL, OPERATION, ORCA III/ III T	930 - 062	15
1	WRENCH, ALLEN, 1/4, MODIFIED	485 - 001	16
1	BLADE, CIRCULAR	475 - 001	17
1	STRAIN RELIEF, MAIN POWER	175 - 201	18
1	WRENCH, T-HANDLE, 3/16"	475 - 200	19
1	BRAKE PAD, UNWIND/ REWIND	375 - 000	20
1	BRAKE, MOUNTED, UNWIND/ REWIND	625 - 006	21

REV	ECN	BY	DESCRIPTION					
UNLESS OTHERWISE SPECIFIED TOLERANCE			 4151 Anderson Road, DeForest, Wisconsin 53532 Phone (608) 246-8844 Fax (608) 246-8645					
DIM. AS SHOWN	TOL.	FINISH TO BE						
X/X	± 1/64	125 √	DATE: 11/03/00	DRAWN BY:	SCALE:	SIZE:	Dwg:	
X.	± .050		RELEASE NO. 3028	AJH	1/1	E	001 - 639	
X.X	± .020	ANGLES ± 1D						
X.XX	± .010							
X.XXX	± .005							

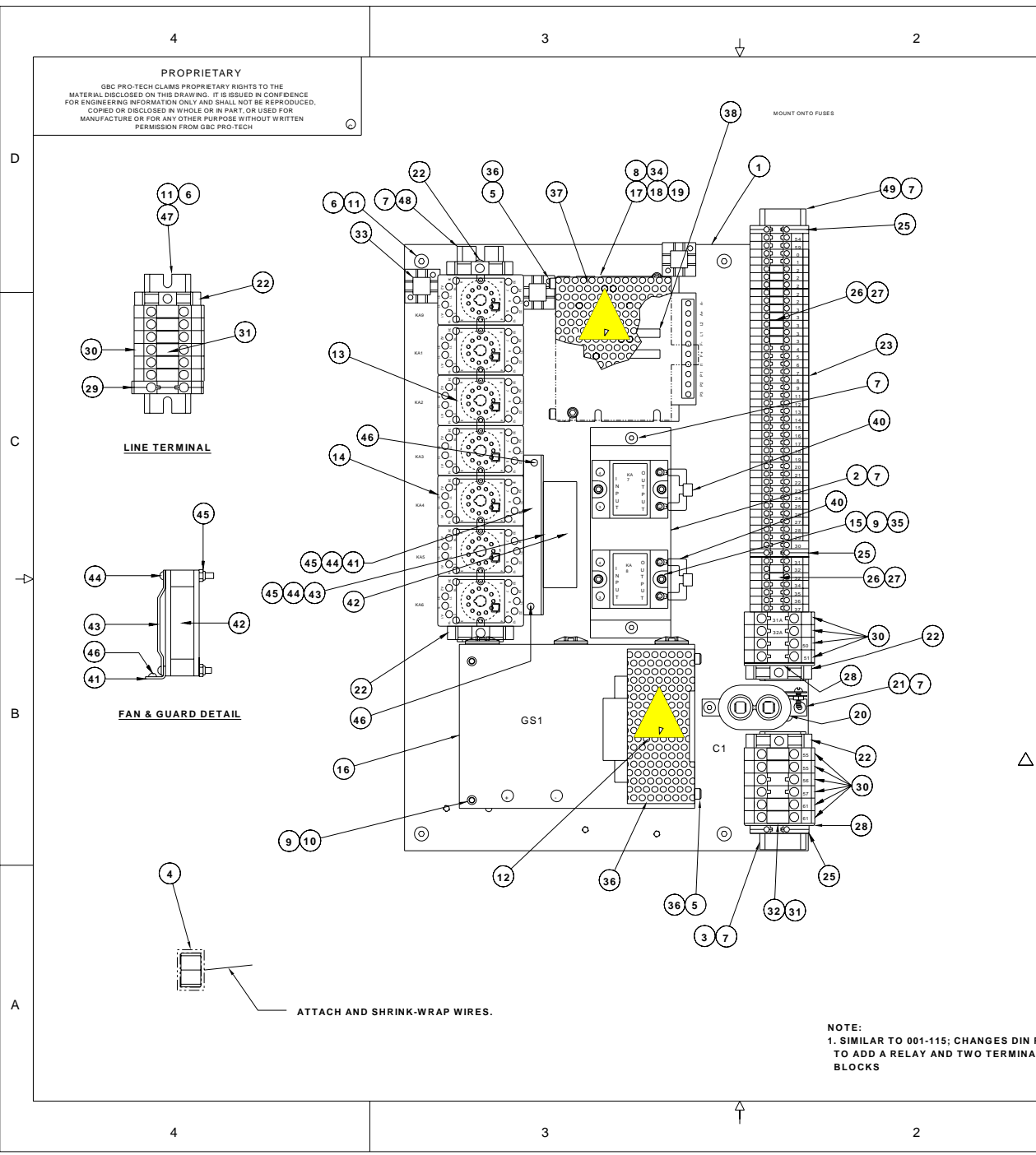
REQ'D	DESCRIPTION	PART NO.	ITEM
1	PANEL	670 - 004	1
1	MODIFIED, HEATSINK	610 - 100	2
1	DIN RAIL	217 - 003	3
1	SWITCH, FWD/ REV	214 - 280	4
4	SHCS 10 - 32 X 5	---	5
6	1/4" EXTERNAL TOOTH STARWASHER	---	6
10	BHCS, 10 - 32 X .375	---	7
2	SHCS, 10 - 32 X .375	---	8
12	SHCS, 8 - 32 X .375	---	9
4	SPACER, THREADED, HEX, 8 - 32	120 - 002	10
6	BHCS, 1/4 - 20 X .375	---	11
2	DECAL, WARNING, HIGH VOLTAGE	450 - 035	12
7	RELAY, 24 VDC	207 - 006	13
7	BASE, RELAY	207 - 007	14
2	RELAY, SOLID STATE, 90 AMP, 480 VOLT	207 - 005	15
1	POWER SUPPLY, DC	245 - 200	16
1	CONTROLLER, MOTOR, KBLC - 240 DS	220 - 160	17
1	BOARD, BARRIER	220 - 110	18
1	RESISTOR, HP	220 - 130	19
1	CAPACITOR, FAN, 4 OHM, 370 VAC	185 - 001	20
1	BRACKET, CAPACITOR MOUNT	100 - 015	21
5	RAIL END	217 - 170	22
40	TERMINAL, BLUE, 4 MM	217 - 270	23
7	TERMINAL, 4 MM	217 - 120	24
3	TERMINAL, GROUND, 4 MM	217 - 140	25
12	BAR, JUMPER, 4 MM	217 - 240	26
12	COVER, JUMPER, 4 MM	217 - 250	27
2	END COVER, TERMINAL, 10 MM	217 - 215	28
1	TERMINAL, GROUND, 10 MM	217 - 235	29
16	TERMINAL, 10 MM	217 - 220	30
10	BAR, JUMPER, 10 MM	217 - 245	31
10	COVER, JUMPER, 10 MM	217 - 255	32
6	BASE, TIE	175 - 004	33
2	FUSE, 250 V, 20 AMP, CERAMIC	186 - 135	34
2	COVER, RELAY	207 - 003	35
4	NUT, 10 - 32 NYLOCK	---	36
1	GUARD, MOTOR CONTROLLER	585 - 011	37
2	GUARD, FUSE, MOTOR CONTROLLER	585 - 012	38
1	GUARD, POWER SUPPLY	585 - 010	39
2	ASSEMBLY, MOV FOR O-III SSR	001 - 342	40
1	BRACKET, FAN, HEATSINK	510 - 265	41
1	FAN, HEATSINK, 24 VDC	182 - 000	42
1	GUARD, FAN	182 - 012	43
4	PHMS 6 - 32 X 1.50	---	44
4	NUT, NYLOCK, 6 - 32 X 1.50	---	45
2	BHCS 10 - 32 X .25	---	46
1	DIN RAIL	217 - 005	47
1	DIN RAIL	217 - 208	48
1	DIN RAIL	217 - 205	49

REV	ECN	BY	DESCRIPTION
UNLESS OTHERWISE SPECIFIED TOLERANCE			GBC PRO-TECH 4151 Anderson Road, DeForest, Wisconsin 53532 Phone (808) 246-8844 Fax (808) 246-8845
DIM. AS SHOWN	TOL.	FINISH TO BE	
.X.X	+ .104	125	
.X	+ .050	√	
.X.X	+ .020		
.X.XX	+ .010	ANGLES	DATE: 11/6/00
.X.XXX	+ .005		RELEASE NO: 3031
			DRAWN BY: AJH
			SCALE: 1/1
			SIZE: A
			Dwg: 001 - 640

NOTE:
 1. SIMILAR TO 001-115; CHANGES DIN RAILS TO ADD A RELAY AND TWO TERMINAL BLOCKS

ATTACH AND SHRINK-WRAP WIRES.

PROPRIETARY
 GBC PRO-TECH CLAIMS PROPRIETARY RIGHTS TO THE MATERIAL DISCLOSED ON THIS DRAWING. IT IS ISSUED IN CONFIDENCE FOR ENGINEERING INFORMATION ONLY AND SHALL NOT BE REPRODUCED, COPIED OR DISCLOSED IN WHOLE OR IN PART, OR USED FOR MANUFACTURE OR FOR ANY OTHER PURPOSE WITHOUT WRITTEN PERMISSION FROM GBC PRO-TECH



This page intentionlly left blank.