

TITAN 165 PARTS ILLUSTRATION

PART #	DESCRIPTION	Quantity
6090205	DC GEARED MOTOR(DM012)	1
8050112	57MM	2
601211157	SURE BACK COVER SUPPORT	4
601230109	1670RS BOTTOM PLATE	1
601230231	1670RS SIDE PLATE(L)	1
601230232	1670RS SIDE PLATE(R)	1
601230411	1670RS FRONT COVER	1
601230412	1670RS REAR COVER	1
601230413	1670RS REAR TABLE	1
601230415	1670RS PAPER TABLE PLATE	1
601230416	1670RS FAN COVER	1
601230417	1670RS PC COVER CAP	1
601230458	1670RS PC ROLLER COVER	1
601230541	1670RS HEATER SUPPORT	2
601230542	1670RS H/ROLLER HOOK	2
601230543	1670RS P/ROLLER HOOK	2
601230544	1670RS H/ROLLER SUPPORT	2
601230545	1670RS P/ROLLER SUPPORT	2
601230546	1670RS PCB SUPPORT	3
601230547	1670RS AIR SCREEN	1
601230548	1670RS FAN NET	4
601230549	1670RS TENSION PLATE(L)	1
601230550	1670RS TENSION PLATE(R)	1
601230551	1670RS SENSOR SUPPORT	1
601230552	1670RS SENSOR BRACKET	1
601230553	1670RS PC COVER BRACKET(L)	1
601230554	1670RS PC COVER BRACKET(R)	1
601230555	LIMITS SWITCH BRACKET(L)	1
601230556	LIMITS SWITCH BRACKET(R)	1
601230557	MAGNETIC BRACKET(L)	1
601230558	MAGNETIC BRACKET(R)	1
601230561	1670RS REWINDER SUPPORT(L)	1
601230562	1670RS REWINDER SUPPORT(R)	1
601230571	1670RS STAND	1
601230581	1670RS SIDE DOOR(L)	1
601230582	1670RS SIDE DOOR(R)	1
601230591	1670RS CASE(L)	1
601230592	1670RS CASE(R)	1
601230702	EAGLE INSIDE TENSION PLATE	1
601230708	EAGLE TENSION BLOCK STOPPER	2

PART #	DESCRIPTION	Quantity
601230711	SURELAM OUTER TENSION DISC	2
601230712	COLD OUTSIDE TENSION DISK	1
601230814	EAGLE LEVER FIXED PANEL	3
601230834	EAGLE SPRING CAP	3
601230873	COLD BLADE RAIL BRACKET(L)	1
601230874	COLD BLADE RAIL BRACKET(R)	1
601230883	1670RS BLADE RAIL	1
601310508	MICRO S/W SUPPORT	1
604020311	EAGLE REWINDER COVER(L)	1
604020312	EAGLE REWINDER COVER(R)	1
604022031	PAPER GUIDE	2
604022032	PAPER GUIDE KNOB	4
604022033	SLITTER HOUSING	1
604022034	SLITTING LEVER	1
604036009	1670RS FRONT TABLE	1
604037022	AL 2"CORE BUSHING	4
604037026	AL 3"CORE BUSHING	4
604037033	3"BLACK CORE BUSHING	2
604620101	METAL MAGNET	2
607040518	EXCELAM1670 RS H/ROLLER	2
607040519	EXCELAM1670 RS P/ROLLER	2
609010116	AC GEARED ISG3215	
609070104	CROSS FAN MOTOR	3
610011903	TRANSFORMER GM7660EX-234	1
613010113	SURE ECCENTRIC LEVER	1
613010171	1670RS IDLE ROLLER(UP)	1
613010172	1670RS IDLE ROLLER(LOW)	1
613010176	1670RS TIE BAR	1
613011005	ECCENTRIC LEVER CAP	1
613030219	1670RS HEX FILM SHAFT(PL	3
613030301	EAGLE FILM SHAFT BUSHING	3
613030409	1670RS ECCENTRIC SHAFT(PL)	1
613030527	EAGLE FIXED BOLT	4
613030533	TENSION CONTROL KNOB	2
613030541	GBC4265 FRONT TABLE SUPPORT PIN	2
613030552	REWINDER TENSION BOLT	1
613030575	1670RS BEARING HOUSING(UP)	2
613030576	1670RS BEARING HOUSING(LOW)	2
613030577	1670RS P/ROLLER BUSH(UP)	2
613030578	1670RS P/ROLLER BUSH(LOW)	2

PART #	DESCRIPTION	Quantity
613030579	1670RS H/ROLLER BUSH(UP)	2
613030580	1670RS H/ROLLER BUSH(LOW)	2
613030587	1670RS FILM TENSION BLOCK	2
613030597	TENSION BOLT(PL)	2
613030621	LEVER (UP)	3
613030622	LEVER (DOWN)	1
613030631	1670RS GUIDE BUSH PIN	
613030632	1670RS GUIDE BUSH	2
613030633	1670RS REWINDER GEAR PIN	1
613030634	1670RS DOUBLE GEAR PIN	1
613030635	1670RS CLUCH SHAFT	2
613030636	1670RS ECCENTRIC CAM	2
613030637	1670RS REWINDER TAKE UP BOSS	1
613050221	FILM CUTTER(ROLL)(PL)	1
701010103	BALL BEARING	4
701010141	BALL BEARING	4
701020203	THRUST NIDDLE ROLL BEARING	2
701020205	THRUST NIDDLE ROLL BEARING	2
701020222	NIDDLE ROLL BEARING	2
701050181	DU BEARING TUBE	1
701050183	DU BEARING TUBE	4
701050245	DU BEARING FRANGE	1
701050247	DU BEARING FRANGE	1
701050259	DU BEARING FRANGE	4
701050276	DU BEARING FRANGE	4
701070143	ROLLER CHAIN	1
701070212	ROLLER CHAIN	1
701070216	ROLLER CHAIN	1
701080118	STEEL SPUR GEAR	1
701080125	STEEL SPUR GEAR	1
701080224	STEEL 1/4CHAIN GEAR	1
701080310	STEEL SPUR+CHAIN GEAR	1
701080315	STEEL SPUR+CHAIN GEAR(RS35H)	1
701080521	STEEL CHAIN GEAR(RS#35)	2
701080526	STEEL CHAIN GEAR(RS#35)	1
701080527	STEEL CHAIN GEAR(RS#35)	1
701090116	ROLLER SPRING	8
701090142	EAGLE FILM PIPE SPRING	3
701090163	PULLING SPRING	2
701090832	SPRING PIN	1

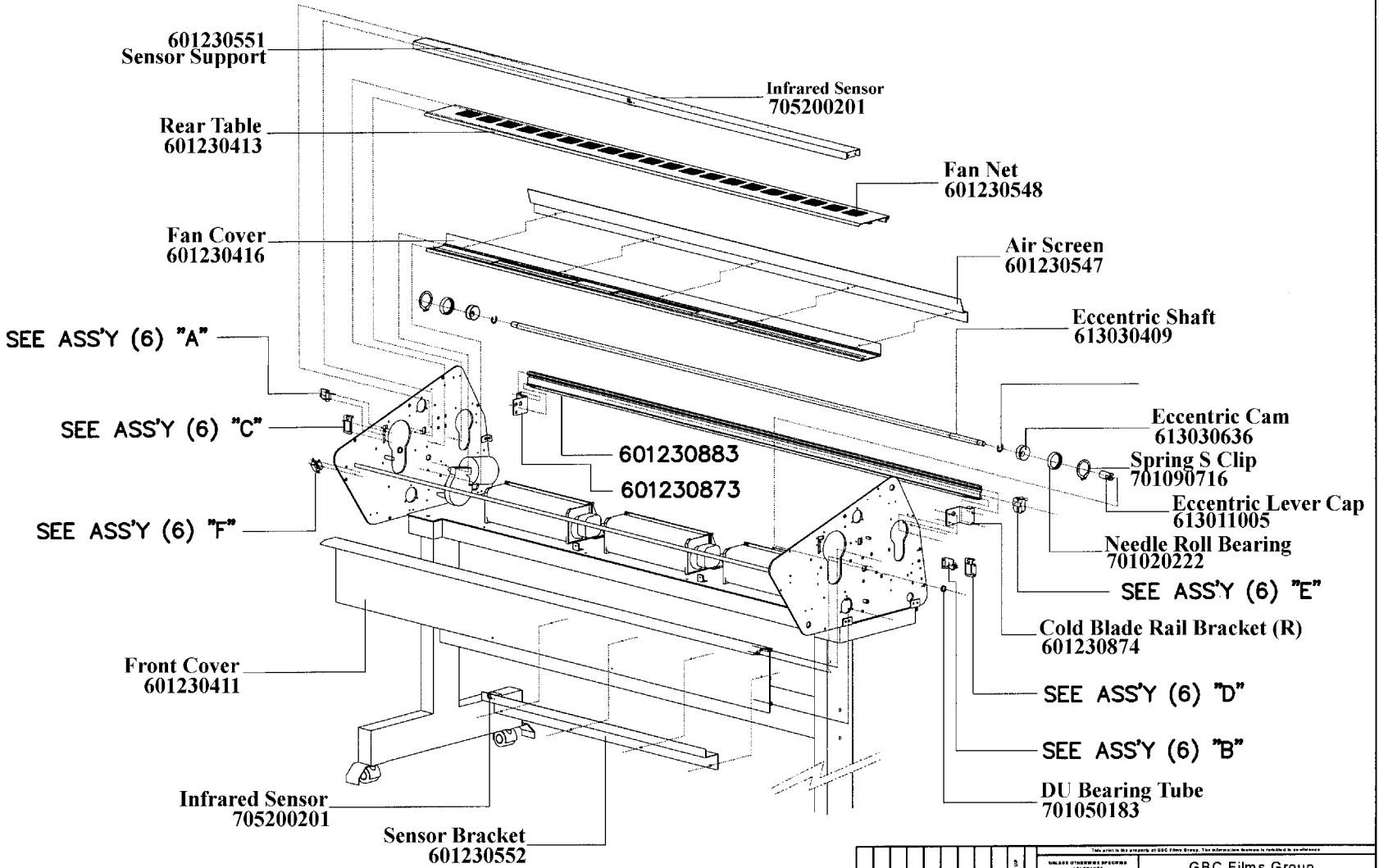
PART #	DESCRIPTION	Quantity
701130507	CASTER	4
703020216	1670RS CONTROL PANEL	1
703020511	PC CONTROL KEY	1
703020512	PC CONTROL KEY	1
703020513	PC CONTROL KEY	1
703020514	PC CONTROL KEY	1
703020515	PC CONTROL KEY	1
703020516	PC CONTROL KEY	1
703020517	PC CONTROL KEY	1
703020518	PC CONTROL KEY	8
703021051	ECCENTRIC LEVER KNOB	1
703021061	1670RS PLASTIC TENSION BLOCK	1
703040211	TEFLON BUSHING	4
703070101	EAGLE/ULTIMA	1
703070106	CLUTCH	1
703070112	HR2 INSIDE TENSION DISK	2
703070113	U? STOPPER	1
703070114	GMP-HR2	4
704031124	INLET 250V(USA)	1
704090141	POWER SWITCH	1
704090252	EMERGENCY SWITCH	2
704090411	MICRO SWITCH (EAGLE)	2
704140411	CORD STOPPER	1
704150111	BI-METAL THERMOSTAT	2
705081036	PCB/1670RS DISPLAY	1
705200201	INFRARED SENSOR	2
706011151	PCB ASS'Y 1670RS MAIN	1
706025050	GBC-TITAN INFRARED HEATER ASS'Y	2
802025306	NAME STICKER/1670RS	1
802105015	SWITCH PANEL STICKER/TITAN	1
803040313	REWINDER STICKER	1
803040343	EMERGENCY STICKER(SURELAM)	2
804020407	PAPER PIPE	1
706011156	PCB ASS'Y1670RS DISPLAY	1
803040315	ROLLER TENSION STICKER	
803040321	WARNING STICKER (HOT)	
803040322	WARNING STICKER (ELECTRIC)	
803040323	WARNING STICKER (SHOCK HAZARD)	
803040325	WARNING STICKER (SHARP BLADE)	
803040326	WARNING STICKER (PULL ROLLER)	

PART #	DESCRIPTION	Quantity
803040356	EAGLE PRESSURE STICKER (L)	
803040357	EAGLE PRESSURE STICKER (U)	
706025043	HEATER T-110	2
607040523	HEAT ROLLER T-110	2
607040524	PULL ROLLER T-110	2
604036014	FEED TABLE T-110	1
601230456	SAFEETY SHIELD T-110	1
601230576	PRINT CLAMP T-110	1

PROPRIETARY
 GBC FILMS GROUP CLAIMS PROPRIETARY RIGHTS TO THE MATERIALS DISCLOSED ON THIS DRAWING. IT IS STRICTLY CONFIDENTIAL FOR ENGINEERING INFORMATION ONLY AND SHALL NOT BE REPRODUCED, COPIED OR DISCLOSED IN WHOLE OR IN PART, OR USED FOR MANUFACTURE OR FOR ANY OTHER PURPOSE WITHOUT WRITTEN PERMISSION FROM GBC FILMS GROUP.

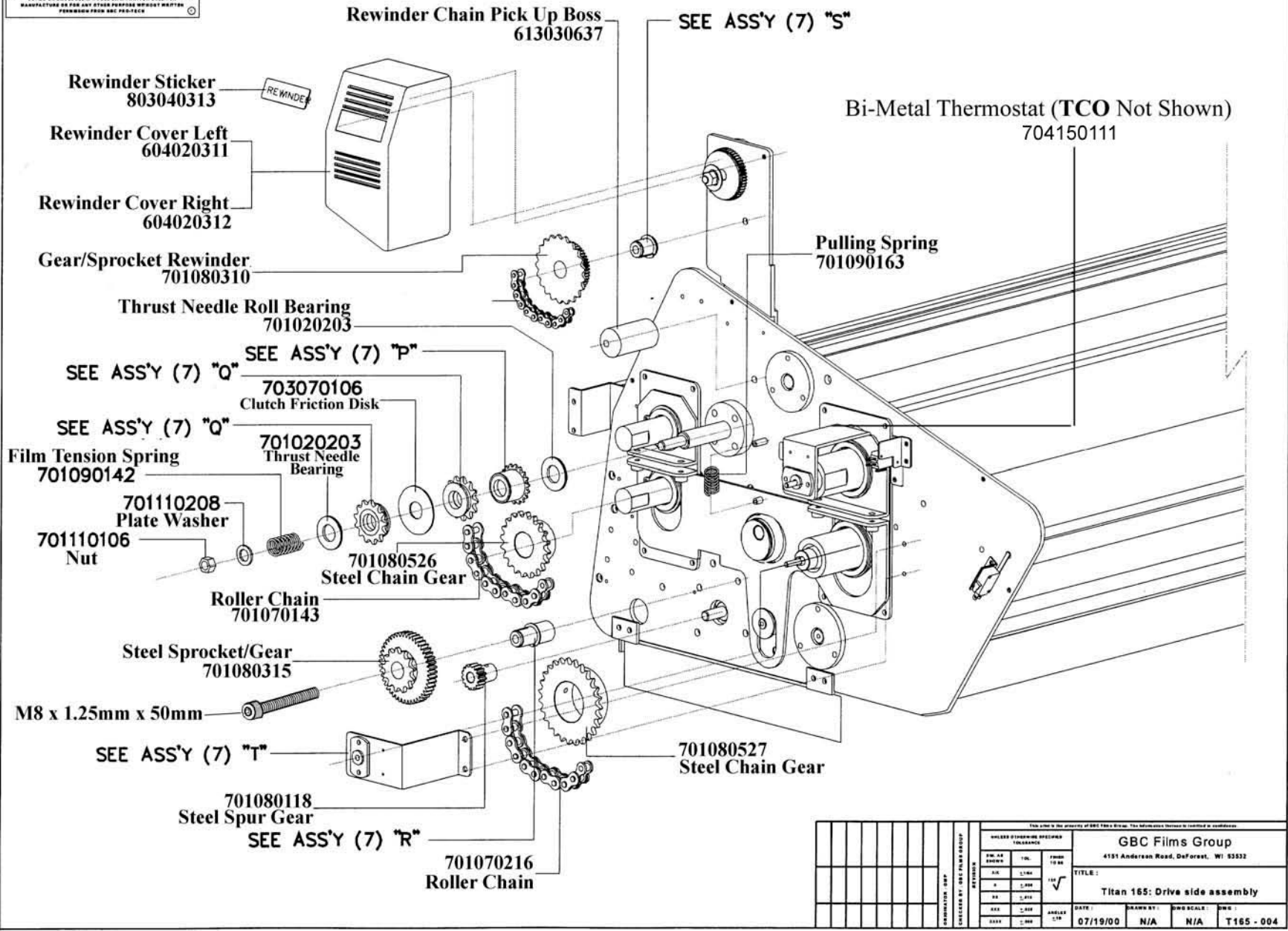
**638070103 Titan 165
 Flow Guide (Mylar Strip)**

**Titan 165 AccushieldBar
 2020590**

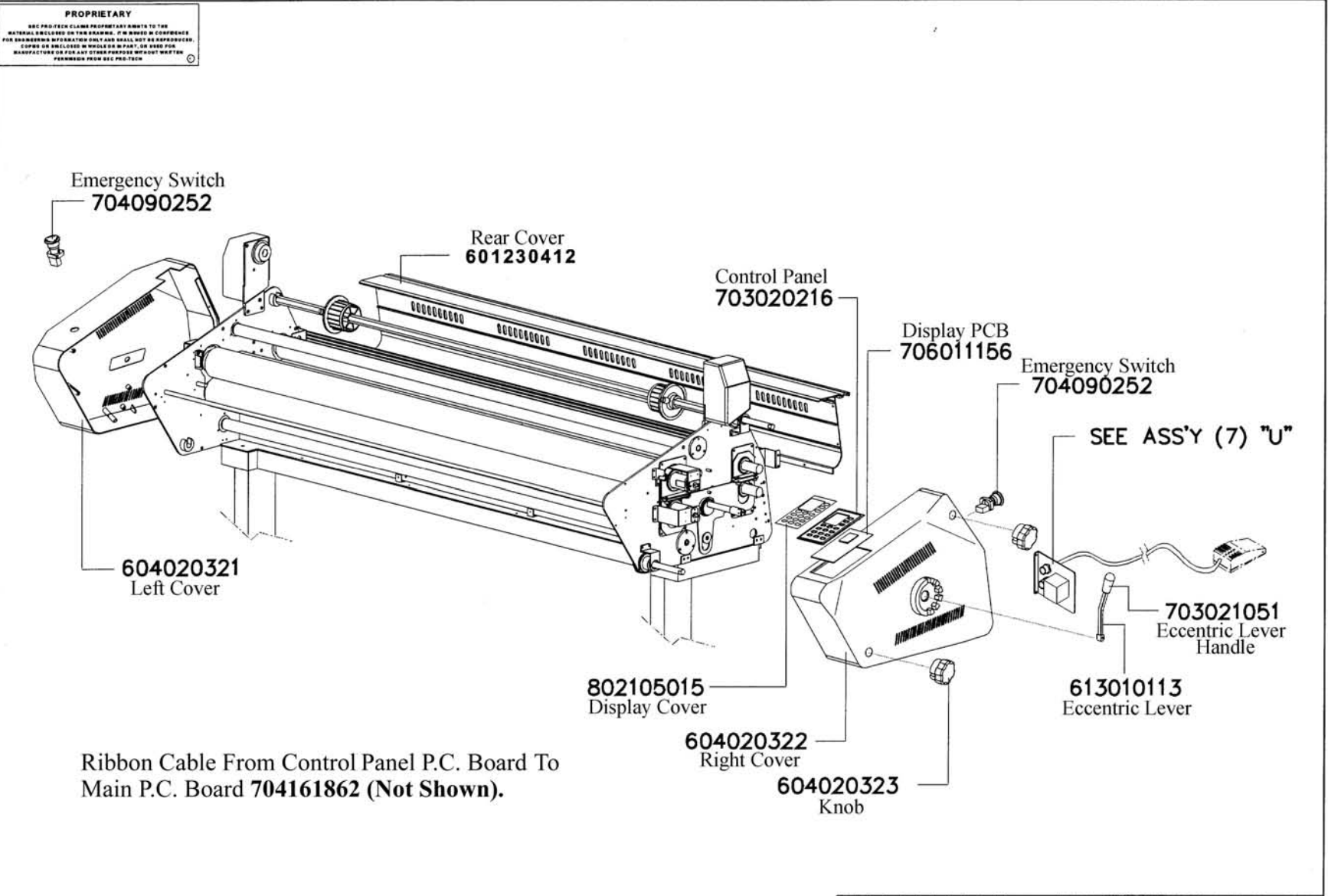


GBC FILMS GROUP				GBC Films Group 4151 Anderson Road, DeForest, WI 53532			
REV	DATE	BY	CHKD	TITLE: Titan 165: Silter and cooling cover assembly			
				DATE: 07/19/00	DRAWN BY: N/A	DWG SCALE: N/A	DWG: T165 - 002

PROPRIETARY
 GBC PROTECTA CLAIMS PROPRIETARY RIGHTS TO THE
 MATERIAL INCLUDED IN THIS DRAWING. IF NUMBERED OR CAPTIONED
 FOR ENGINEERING INFORMATION ONLY AND SHALL NOT BE REPRODUCED,
 COPIED OR INCLUDED IN BILLS OF MATERIAL, OR USED FOR
 MANUFACTURE OR FOR ANY OTHER PURPOSE WITHOUT WRITTEN
 PERMISSION FROM GBC PROTECTA



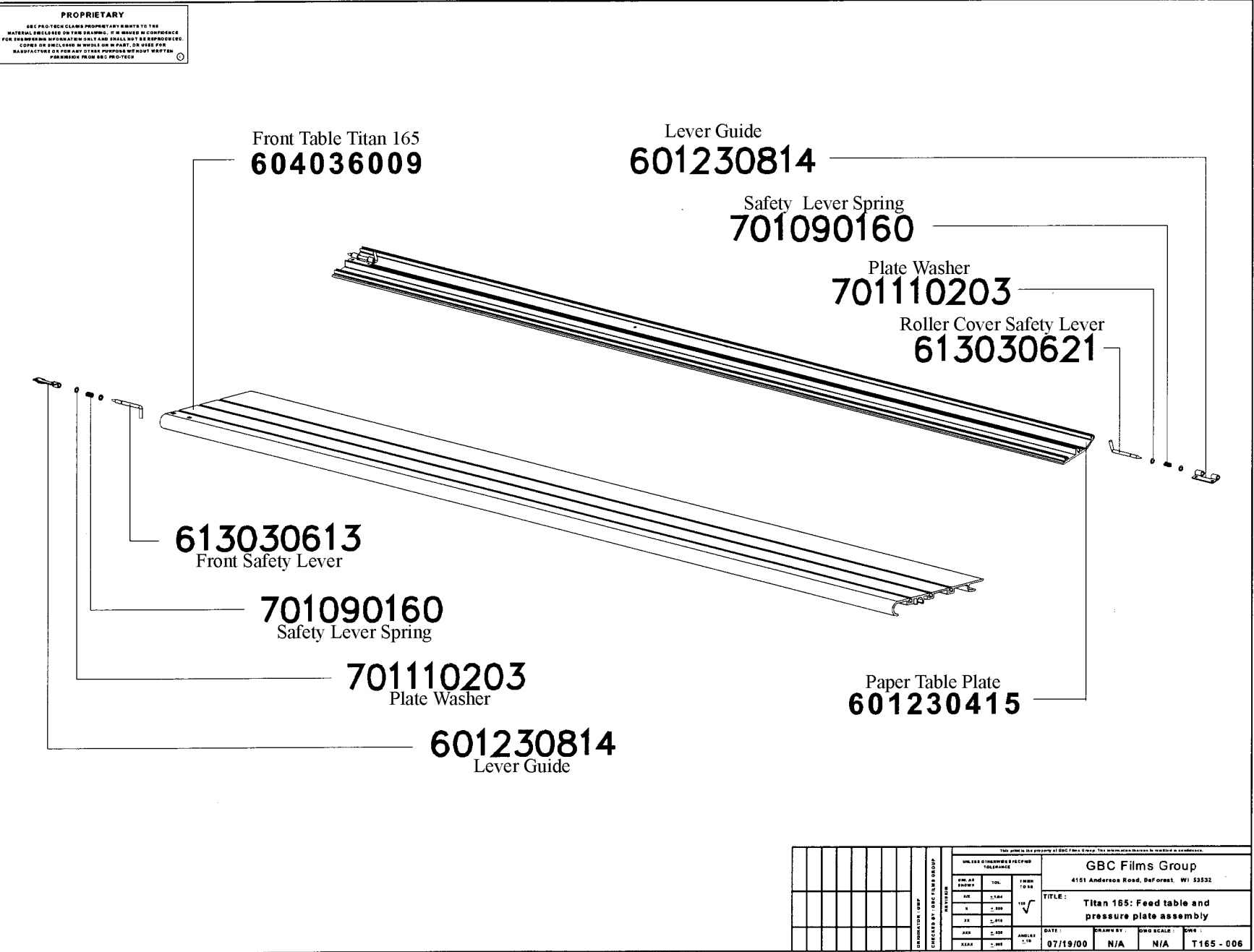
GBC PROTECTA CLAIMS PROPRIETARY RIGHTS TO THE MATERIAL INCLUDED IN THIS DRAWING. IF NUMBERED OR CAPTIONED FOR ENGINEERING INFORMATION ONLY AND SHALL NOT BE REPRODUCED, COPIED OR INCLUDED IN BILLS OF MATERIAL, OR USED FOR MANUFACTURE OR FOR ANY OTHER PURPOSE WITHOUT WRITTEN PERMISSION FROM GBC PROTECTA		This is the property of GBC Films Group. Its use is restricted to the customer.	
GBC Films Group 4151 Anderson Road, DeForest, WI 53532		TITLE: Titan 165: Drive side assembly	
DATE: 07/19/00	DRAWN BY: N/A	ENG SCALE: N/A	DWG: T165-004



Ribbon Cable From Control Panel P.C. Board To Main P.C. Board 704161862 (Not Shown).

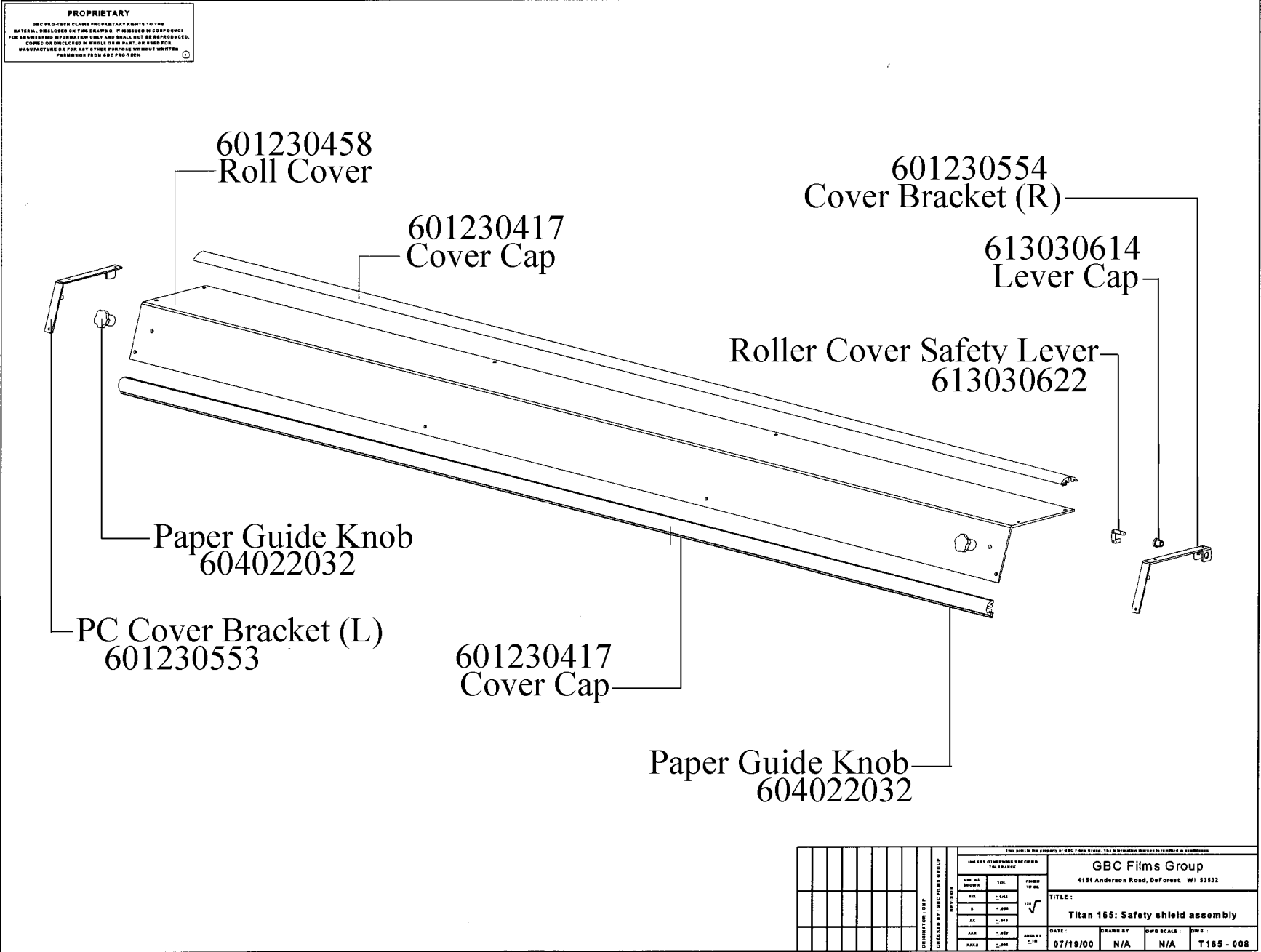
PROPRIETARY
 SEC PRO-TECH CLAIMS PROPRIETARY RIGHTS TO THE MATERIAL ENCLOSED ON THIS DRAWING. IT IS FORGED IN CONFIDENCE FOR YOUR BUSINESS INFORMATION ONLY AND SHALL NOT BE REPRODUCED, COPIED OR ENCLOSED IN WHOLE OR IN PART, OR USED FOR MANUFACTURE OR FOR ANY OTHER PURPOSE WITHOUT WRITTEN PERMISSION FROM SEC PRO-TECH.

GBC Films Group 6151 Anderson Road, DeForest, WI 53532		
TITLE: Titan 165: Cabinets and rear cover assembly		
DATE: 07/19/00	DRAWN BY: N/A	DWG SCALE: N/A
REVISED BY: N/A	DATE: N/A	DWG NO: T165 - 005



PROPRIETARY
GBC PROTECT CLAIMS PROPRIETARY RIGHTS TO THE MATERIALS DESCRIBED ON THIS DRAWING. IT IS HEREBY IN CONFIDENCE FOR THE PURPOSES OF INFORMATION ONLY AND SHALL NOT BE REPRODUCED, COPIED OR DISCLOSED IN WHOLE OR IN PART, OR USED FOR MANUFACTURE OR FOR ANY OTHER PURPOSE WITHOUT WRITTEN PERMISSION FROM GBC PROTECT.

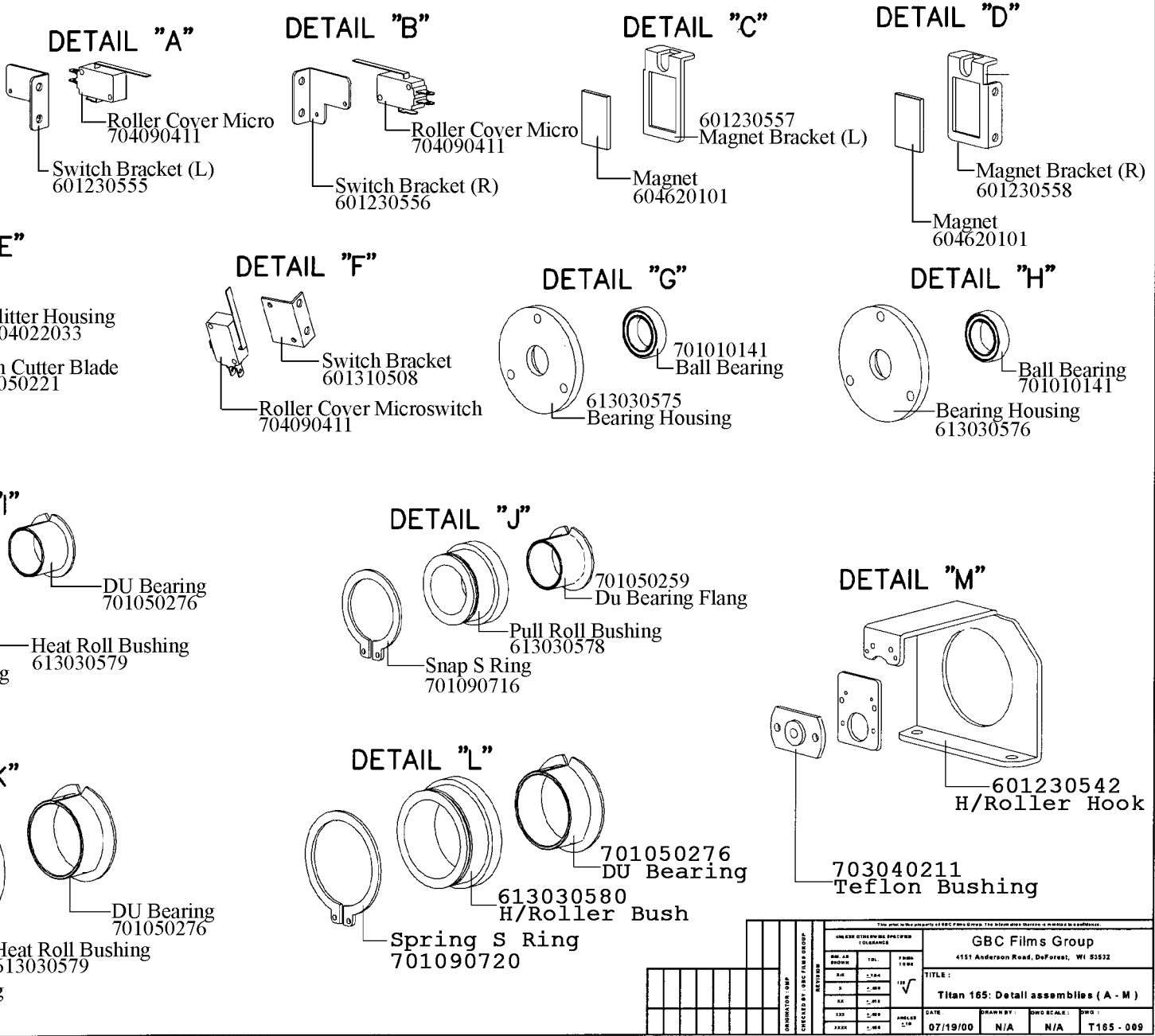
UNLESS OTHERWISE SPECIFIED TOLERANCES			GBC Films Group 4151 Anderson Road, DeForest, WI 53532	
FR. AS DIM. A	IN.	FR. AS DIM. B	IN.	TITLE: Titan 165: Feed table and pressure plate assembly
XX	±.001	XX	±.001	DATE: 07/19/00
XX	±.002	XX	±.002	DRAWN BY: N/A
XX	±.005	XX	±.005	ENG. SCALE: N/A
XX	±.010	XX	±.010	DRW. I: T 165 - 006
XX	±.020	XX	±.020	
XX	±.050	XX	±.050	
XX	±.100	XX	±.100	
XX	±.150	XX	±.150	
XX	±.200	XX	±.200	
XX	±.300	XX	±.300	
XX	±.400	XX	±.400	
XX	±.500	XX	±.500	
XX	±.600	XX	±.600	
XX	±.700	XX	±.700	
XX	±.800	XX	±.800	
XX	±.900	XX	±.900	
XX	±1.000	XX	±1.000	
XX	±1.500	XX	±1.500	
XX	±2.000	XX	±2.000	
XX	±3.000	XX	±3.000	
XX	±4.000	XX	±4.000	
XX	±5.000	XX	±5.000	
XX	±6.000	XX	±6.000	
XX	±7.000	XX	±7.000	
XX	±8.000	XX	±8.000	
XX	±9.000	XX	±9.000	
XX	±10.000	XX	±10.000	
XX	±15.000	XX	±15.000	
XX	±20.000	XX	±20.000	
XX	±25.000	XX	±25.000	
XX	±30.000	XX	±30.000	
XX	±40.000	XX	±40.000	
XX	±50.000	XX	±50.000	
XX	±60.000	XX	±60.000	
XX	±70.000	XX	±70.000	
XX	±80.000	XX	±80.000	
XX	±90.000	XX	±90.000	
XX	±100.000	XX	±100.000	
XX	±125.000	XX	±125.000	
XX	±150.000	XX	±150.000	
XX	±200.000	XX	±200.000	
XX	±250.000	XX	±250.000	
XX	±300.000	XX	±300.000	
XX	±400.000	XX	±400.000	
XX	±500.000	XX	±500.000	
XX	±600.000	XX	±600.000	
XX	±700.000	XX	±700.000	
XX	±800.000	XX	±800.000	
XX	±900.000	XX	±900.000	
XX	±1000.000	XX	±1000.000	
XX	±1250.000	XX	±1250.000	
XX	±1500.000	XX	±1500.000	
XX	±2000.000	XX	±2000.000	
XX	±2500.000	XX	±2500.000	
XX	±3000.000	XX	±3000.000	
XX	±4000.000	XX	±4000.000	
XX	±5000.000	XX	±5000.000	
XX	±6000.000	XX	±6000.000	
XX	±7000.000	XX	±7000.000	
XX	±8000.000	XX	±8000.000	
XX	±9000.000	XX	±9000.000	
XX	±10000.000	XX	±10000.000	



PROPRIETARY
 GBC FILM GROUP CLAIMS PROPRIETARY RIGHTS TO THE MATERIAL DISCLOSED ON THIS DRAWING. IT IS HEREBY WARNED IN CONFORMANCE WITH TRADE SECRET ACTS THAT THIS INFORMATION IS UNLAWFULLY DISCLOSED OR REPRODUCED IN WHOLE OR IN PART, OR USED FOR THE MANUFACTURE OF ANY DEVICE WITHOUT WRITTEN PERMISSION FROM GBC FILM GROUP.

UNLESS OTHERWISE SPECIFIED BY THIS DRAWING		GBC FILMS GROUP 4181 Anderson Road, DeForest, WI 53532	
DATE	10/00	TITLE	Titan 165: Safety shield assembly
BY	10/00	DATE	07/19/00
CHKD	10/00	DRAWN BY	N/A
APPV	10/00	DWG SCALE	N/A
XXXX	10/00	DWG #	T165 - 008

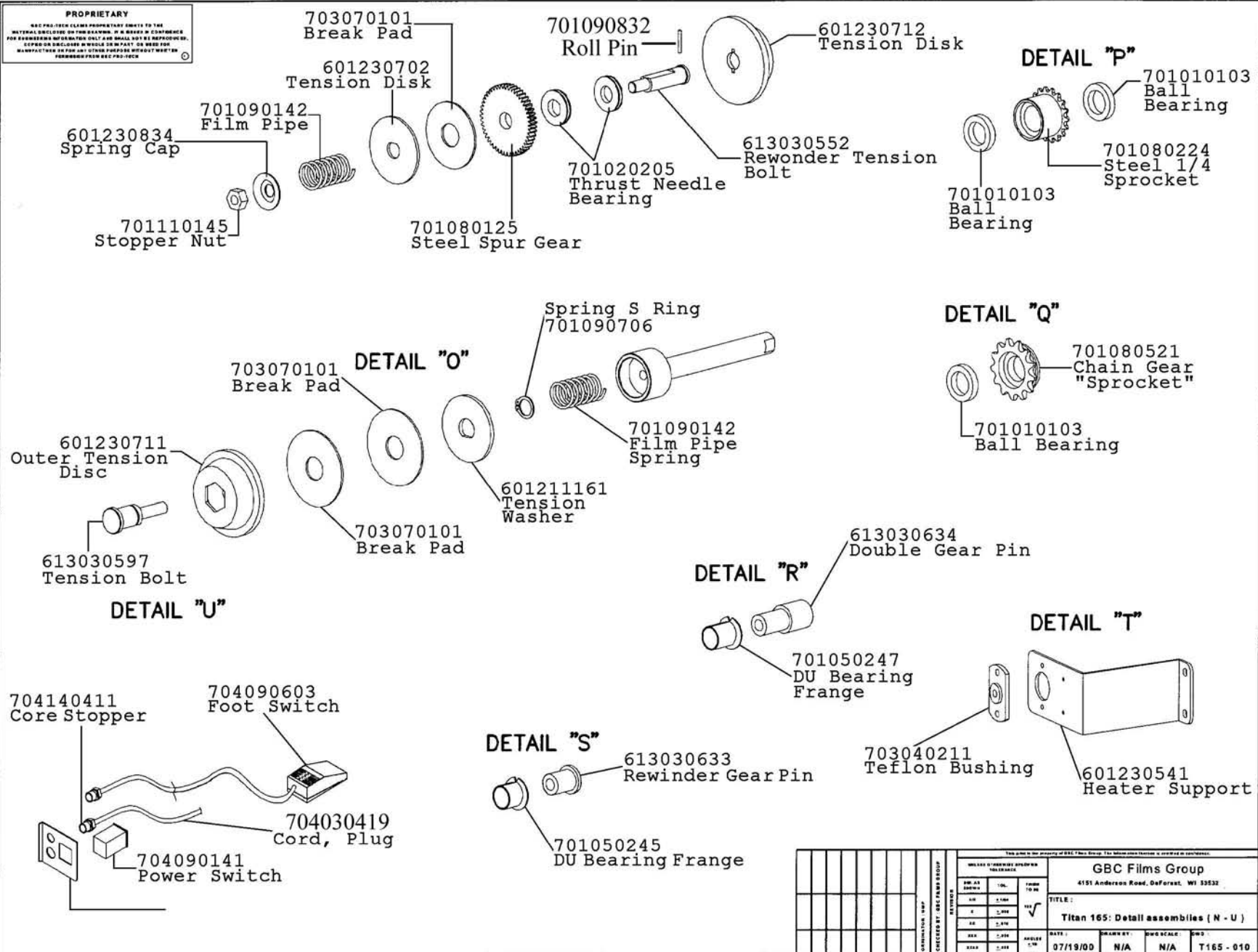
PROPRIETARY
 GBC PROTECT FILMS PROPRIETARY RIGHTS TO THE MATERIAL DISCLOSED ON THIS DRAWING. IT IS HEREBY IN COMPLIANCE WITH THE PATENT AND TRADE SECRET LAWS OF THE UNITED STATES OF AMERICA AND THE PATENT AND TRADE SECRET LAWS OF CANADA AND THE PATENT AND TRADE SECRET LAWS OF THE UNITED KINGDOM OF GREAT BRITAIN AND NORTHERN IRELAND THAT THIS DRAWING IS NOT TO BE REPRODUCED, COPIED, OR DISCLOSED IN WHOLE OR IN PART, OR USED FOR ANY PURPOSES OTHER THAN THAT AUTHORIZED BY THE MANUFACTURER OR FOR ANY OTHER PURPOSE WITHOUT THE WRITTEN PERMISSION FROM GBC PROTECT.



UNLESS OTHERWISE SPECIFIED TOLERANCES				GBC Films Group 4151 Anderson Road, DeForest, WI 53522			
FR	1/16"	FRA	1/32"	TITLE: Titan 165: Detail assemblies (A - M)			
MM	0.001"	MM	0.001"	DRAWN BY: DATE: 07/19/00			
XX	0.001"	XX	0.001"	DWG SCALE: N/A			
XXX	0.001"	XXX	0.001"	DWG: T165-009			
XXXX	0.001"	XXXX	0.001"				

DETAIL "N"

PROPRIETARY
 GBC FILMS GROUP CLAIMS PROPRIETARY RIGHTS TO THE
 MATERIAL DISCLOSED ON THIS DRAWING. IT IS MADE IN CONFIDENCE
 FOR EXCLUSIVE USE OF GBC FILMS GROUP AND IS NOT TO BE REPRODUCED,
 COPIED OR DISCLOSED IN WHOLE OR IN PART OR USED FOR
 ANY OTHER PURPOSE WITHOUT THE WRITTEN
 PERMISSION FROM GBC FILMS GROUP.



GBC FILMS GROUP		4151 Anderson Road, DeForest, WI 53522	
TITLE: Titan 165: Detail assemblies (N - U)			
DATE: 07/19/00	DRAWN BY: N/A	REV SCALE: N/A	QWS
07/19/00	N/A	N/A	T165 - 010