

PDI Performance Design Inc.

RAF-11 PARTS BOOK

Includes;
Rhin-O-Tuff RAF-11
Automatic Feeder,
& HD 7000 A.



Mailing Address: 2350 E. Braniff, Boise, Idaho 83716-9613

Telephone: 800-390-5782

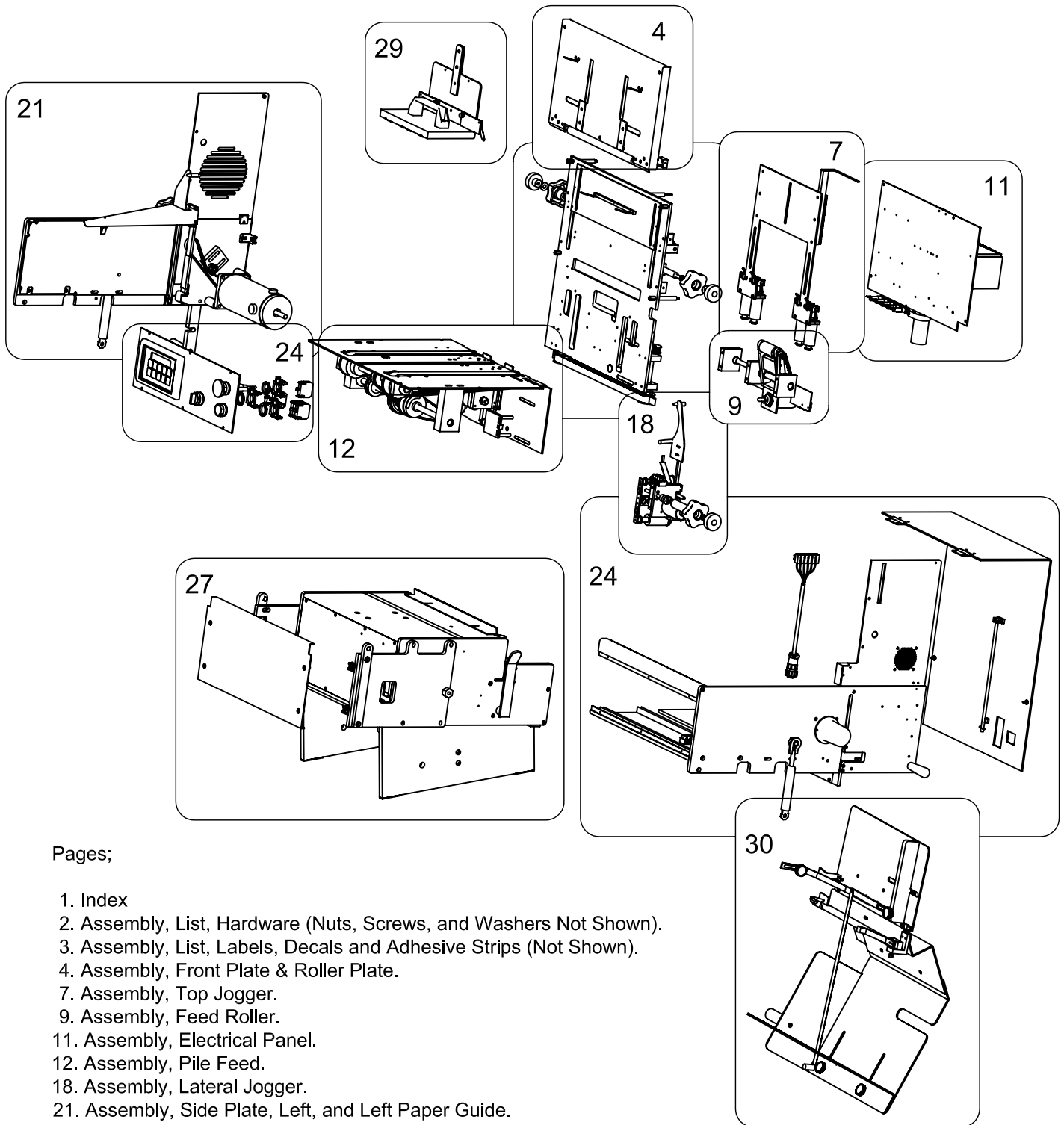
Fax: 800-390-5783

Electronic Mail: PDI@PDIBIND.com

Web Site: www.RHIN-O-TUFF.com

RAF-11 Preliminary PARTS BOOK

Page 1
- Index -



Pages;

1. Index
2. Assembly, List, Hardware (Nuts, Screws, and Washers Not Shown).
3. Assembly, List, Labels, Decals and Adhesive Strips (Not Shown).
4. Assembly, Front Plate & Roller Plate.
7. Assembly, Top Jogger.
9. Assembly, Feed Roller.
11. Assembly, Electrical Panel.
12. Assembly, Pile Feed.
18. Assembly, Lateral Jogger.
21. Assembly, Side Plate, Left, and Left Paper Guide.
24. Assembly, Side Plate, Right, Rear Cover, Operator Panel.
27. Assembly, HD 7000 A.
29. Assembly, Weight Plate.
30. Assembly, Reception.

RAF-11 Preliminary PARTS BOOK

Page 2

- Assembly, List, Hardware -
(Not Shown)

Item	Description	PDI P/N	Qty
1	BOLT,SHOULDER 3/8 X 3/8	005150	1
2	BOLT,SHOULDER 5/16 X 3/4	005079	1
3	BOLT,SHOULDER PRECISION 1.1/4	001316	3
4	BOX,SHIPPING RAF RECEPTION	001573	1
5	BOX,SHIPPING RAF WEIGHT PLT	001572	1
6	BOX,SHIPPING RAF-11 MACHINE W/PALLET	001571	1
7	BRUSH, ACID, 1/2"	001086	1
8	CLIP,SPRING 1/4"	001033	1
9	FUSE,AGC 10 AMP	007230	2
10	GROMMET,1/4ID1/16G11/32GDIA	001394	1
11	GROMMET,17/64ID1/8GW13/32GDIA	001393	1
12	KNOB, STUDD 1/4-20 X 1/2	001317	5
13	MANUAL,RAF-11 OPERATORS TRAIING	000155	1
14	NUT,10-24 FINISH	004159	4
15	NUT,4-40 FINISH	004158	4
16	NUT,6-32 FINISH	004039	4
17	NUT,NYLOCK 1/4-20	004000	1
18	NUT,NYLOCK 10-24	004180	6
19	NUT,NYLOCK 4-40	004050	9
20	NUT,NYLOCK 5/16-18	004010	4
21	NUT,NYLOCK 6-32	004015	4
22	NUT,NYLOCK 8-32	004030	16
23	OIL,3 IN 1 WD-40	001085	1
24	PIN,DOWEL 1/8 X 5/8	001076	2
25	PIN,DOWEL 3/8 X 3/4	001071	2
26	PIN,FEMALE	001302	6
27	PIN,MALE	001301	6
28	PIN,ROLL 1/16 X 3/4	001150	6
29	PIN,ROLL 1/8 X 3/4"	001062	5
30	PIN,ROLL 1/8 X 3/8"	001450	2
31	PIN,ROLL 1/8 X 5/8"	001800	1
32	SC,BHSCS 1/4-20 X 1	002570	4
33	SC,BHSCS 1/4-20 X 1.1/2	005465	8
34	SC,BHSCS 10-24 X 3/4	002410	4
35	SC,BHSCS 10-24 X 3/8	002350	10
36	SC,BHSCS 4-40 X 1/4	002405	6
37	SC,BHSCS 6-32 X 1/4	002540	4
38	SC,BHSCS 6-32 X 3/16	002539	4
39	SC,BHSCS 6-32 X 3/8	002180	28
40	SC,BHSCS 6-32 X 5/8	002600	4
41	SC,BHSCS 8-32 X 1/4	002550	3
42	SC,FHSCS 10-24 X 5/8	002390	8
43	SC,FHSCS 4-40 X 1/4	002375	2
44	SC,FHSCS 6-32 X 1/2	002301	4
45	SC,FHSCS 6-32 X 1/4	002300	3
46	SC,FHSCS 6-32 X 3/8	002580	41
47	SC,FHSCS 6-32 X 5/8	002590	4
48	SC,FHSCS 8-32 X 1/2	002530	3
49	SC,PFHMS 4-40 X 1.3/4	002315	2
50	SC,PFHMS 4-40 X 1/2	002496	2
51	SC,PFHMS 4-40 X 1/4	002495	28
52	SC,PFHMS 4-40 X 3/8	002370	14
53	SC,PFHMS 4-40 X 5/16	002340	4
54	SC,PFHMS 4-40 X 5/8	002460	2
55	SC,PFHMS 4-40 X 7/8	002310	6
56	SC,PFHMS 8-32 X 5/8	002220	4
57	SC,PPHMS 10-32 X 5/8	005610	4
58	SC,PPHMS 4-40 X 1	002190	6
59	SC,PPHMS 4-40 X 1/2	002110	18
60	SC,PPHMS 4-40 X 1/4	002510	2
61	SC,PPHMS 4-40 X 5/8	002480	5
62	SC,PTHMS 4-40 X 1/4	002419	30
63	SC,PTHMS 4-40 X 3/8	002420	10
64	SC,PTHMS 6-32 X 1/4	002165	4
65	SC,PTHMS 8-32 X 1.1/4	002168	4

Item	Description	PDI P/N	Qty
66	SC,PTHMS 8-32 X 1/2	002202	4
67	SC,PTHMS 8-32 X 1/2	002202	4
68	SC,PTHMS 8-32 X 5/16	002200	10
69	SC,PTMS 1/4-20 X 1/2	001003	4
70	SC,SHCS 1/4-20 X 1	005040	11
71	SC,SHCS 1/4-20 X 2.1/4	005624	3
72	SC,SHCS 1/4-20 X 5/8	005200	4
73	SC,SHCS 10-24 X 1	005600	4
74	SC,SHCS 10-24 X 1/2	005560	6
75	SC,SHCS 10-24 X 1/4	005180	6
76	SC,SHCS 10-24 X 5/8	005510	2
77	SC,SHCS 5/16-18 X 1	005430	6
78	SC,SHCS 5/16-18 X 1.1/4	005431	2
79	SC,SHCS 5/16-18 X 7/8	002560	2
80	SC,SHCS 6-32 X 1	005670	1
81	SC,SHCS 6-32 X 1.1/2	005672	8
82	SC,SHCS 6-32 X 1/2	005650	18
83	SC,SHCS 6-32 X 3/4	005660	9
84	SC,SHCS 6-32 X 3/8	005559	12
85	SC,SHCS 8-32 X 1.3/8	005230	9
86	SC,SHCS 8-32 X 1/2	005238	2
87	SC,SHCS 8-32 X 1/4	005290	2
88	SC,SHCS 8-32 X 2	002150	6
89	SC,SHCS 8-32 X 3/4	005240	1
90	SC,SHCS 8-32 X 3/8	005220	8
91	SC,SHSS 10-24 X 1/4	002120	6
92	SC,SHSS 10-32 X 3/16	002119	3
93	SC,SHSS 4-40 X 1/8 KNURLED PT.	005010	22
94	SC,SHSS 8-32 X 3/16	002075	14
95	SC,THUMB 6-32 X 1/4 BRASS	001412	2
96	SC,THUMB K.B. 8/32 X 1	031010	1
97	SPACER,.140ID .312OD X 1.1/4L	001392	2
98	STRIP,TERMINAL 2 POLE	007053	1
99	STRIP,TERMINAL 3 POLE	007054	2
100	STRIP,TERMINAL 4 POLE	007056	2
101	TERMINAL,1/4 PUSH ON MALE	007910	8
102	TERMINAL,3/16 PUSH ON MALE	007890	2
103	TERMINAL,RING 1/4" 14-16 AWG	008010	3
104	TERMINAL,SPADE 1/4 TAPE	007860	2
105	TIE,CABLE .090 X 4	001510	12
106	TIE,CABLE 1/8 X 6"	001220	4
107	TRANSORB	001298	9
108	VIDEO,RAF-11 RETROFIT ON PUNCH	000151	1
109	VIDEO,RAF-11 TRAINING	000152	1
110	WASHER,#10 FENDER	003071	5
111	WASHER,#10 SAE	003151	2
112	WASHER,#4 FLAT	003250	3
113	WASHER,#6 FLAT	003270	5
114	WASHER,#8 FLAT	003150	9
116	WASHER,3/8 X .062 HARDENED AN	003130	1
117	WASHER,LOCK 1/4	003030	2
118	WASHER,LOCK 1/4 HIGH COLLAR	003170	7
119	WASHER,NYLN.252IDX.402ODX.015T	003012	1
120	WASHER,NYLON 1/4 X .687 FLAT .06THK	003210	16
121	WASHER,NYLON 11/32ID 3/4OD	001263	1
122	WASHER,NYLON 3/8 ID X .750 OD	001224	1
123	WASHER,NYLON.189IDX.750DX1/16T	003015	1
124	WASHER,NYLON.253IDX.443DX1/16T	003014	2
125	WASHER,NYLON.25IDX.50X1/16THK	003011	10
126	WASHER,NYLON7/16IDX.629ODX1/8T	003013	2
127	WASHER,RUBBER #10X1/2ODX3/32TH	001395	4
128	WASHER,RUBBER #10X1/2ODX3/32TH	001397	2
129	WASHER,RUBBER.25IDX.750DX.062	003020	5
130	WASHER,RUBR.188IDX.875ODX.125	003010	1
131	WASHER,SAE 1/4 FLAT	003090	5
132	WASHER,SAE 3/8	003091	1
133	WASHER,SAE 5/16 FLAT	003080	6

RAF-11 Preliminary PARTS BOOK

Page 3

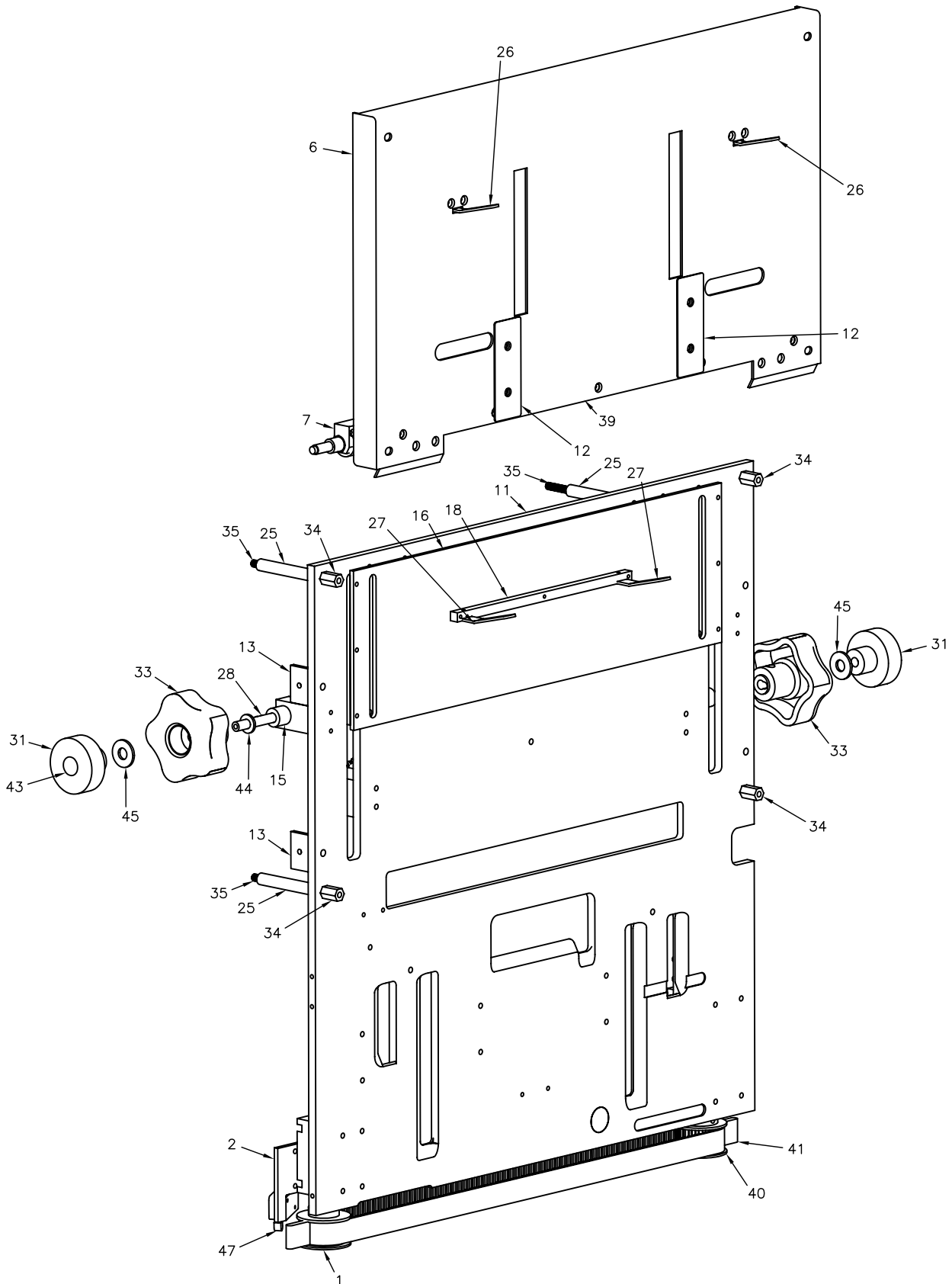
- Assembly, List, Labels, Decals and Adhesive Strips -
(Not Shown)

Item	PDI P/N	Description	Location & Size
1	000332	ASSY,PAPER PAD	MT
2	000333	VELCRO,WEIGHT PLATE	W
3	000338	LABEL, POINTER TO EDGE OF PAPER	MT
4	000339	LABEL, OPERATOR PANEL	MF
5	000340	REFLECTOR,RECEPTION STRIP	R
6	000440	LABEL,FUSE BANK	MI
7	000441	LABEL,FUSE F1	MB
8	000442	LABEL,QUICK SETUP GUIDE	MF
9	000443	LABEL,#1 MACHINE (DIE)	ML
10	000444	LABEL,#2 MACHINE (LEFT PILE)	ML
11	000445	LABEL,#3 MACHINE (LAT JOGGER)	MR
12	000446	LABEL,#4 MACHINE (TOP JOGGER)	MR
13	000447	LABEL,#5 MACHINE (TOP SHEET GUIDE)	ML
14	000448	LABEL,#6 MACHINE (RECEPTION GUIDES)	R
15	000449	LABEL,#7 MACHINE (LOADING PAPER)	MT
16	000450	LABEL,#8 MACHINE (KEY PAD CONTROL)	MF
17	000452	LABEL,TAB SELECTOR	MF
18	000453	LABEL,HEIGHT UP-DOWN	ML
19	000454	LABEL,HEIGHT DOWN-UP	MR
20	000455	LABEL,WIDTH IN-OUT	MR
21	000456	LABEL,RECEPTION "A"	R
22	000457	LABEL,RECEPTION "B"	R
23	000458	LABEL,RECEPTION "C"	R
24	000459	LABEL,RIGHT PILE GUIDE	MT
25	000460	LABEL,LEFT PILE GUIDE	MT
26	000461	LABEL, TOP JOGGER	MR
27	000462	LABEL,DO NOT PUNCH ACETATE OR VINYL	MF
28	000464	LABEL,PLC VERSION	MI
29	000465	LABEL,QUICK PUNCHING GUIDE	MF
30	000466	LABEL,IMPORTANT!!! PUSH BUTTON.. MACHINE..NOT IN USE	MF
31	000467	LABEL,IMPORTANT!!!!LOOSEN CLAMPING KNOB PRIOR..LIFTING	ML
32	000468	LABEL,ADJUST WINGS UP WHEN PUNCHING 8.5 X 5.5 PAPER	W
33	001102	TAPE,3M EXT MTG TAPE 1"WIDE	W x 8.125"
34	001125	DECAL,RHIN-O-TUFF	MB
35	001146	DECAL,CAUTION FUSE	MB
36	001194	DECAL,CRUSH HAZARD 4300 CE	ML
37	001198	DECAL,FOOT PEDAL LABEL	MB
38	001407	TAPE,TEFLON 1"W X 10 ml Thk	W x 8.125"
39	001660	DECAL,SERIAL TAG	MB
40	071580	DECAL,LOCK	MR, ML
41	071590	DECAL,UNLOCK	MR, ML
Locations;			
MB	RAF-11 Machine Back		
MF	RAF-11 Machine Front		
MI	RAF-11 Machine Inside Rear Cover		
ML	RAF-11 Machine Left Side		
MR	RAF-11 Machine Right Side		
MT	RAF-11 Machine Top		
R	Reception		
W	Weight Plate		

RAF-11 Preliminary PARTS BOOK

Page 4

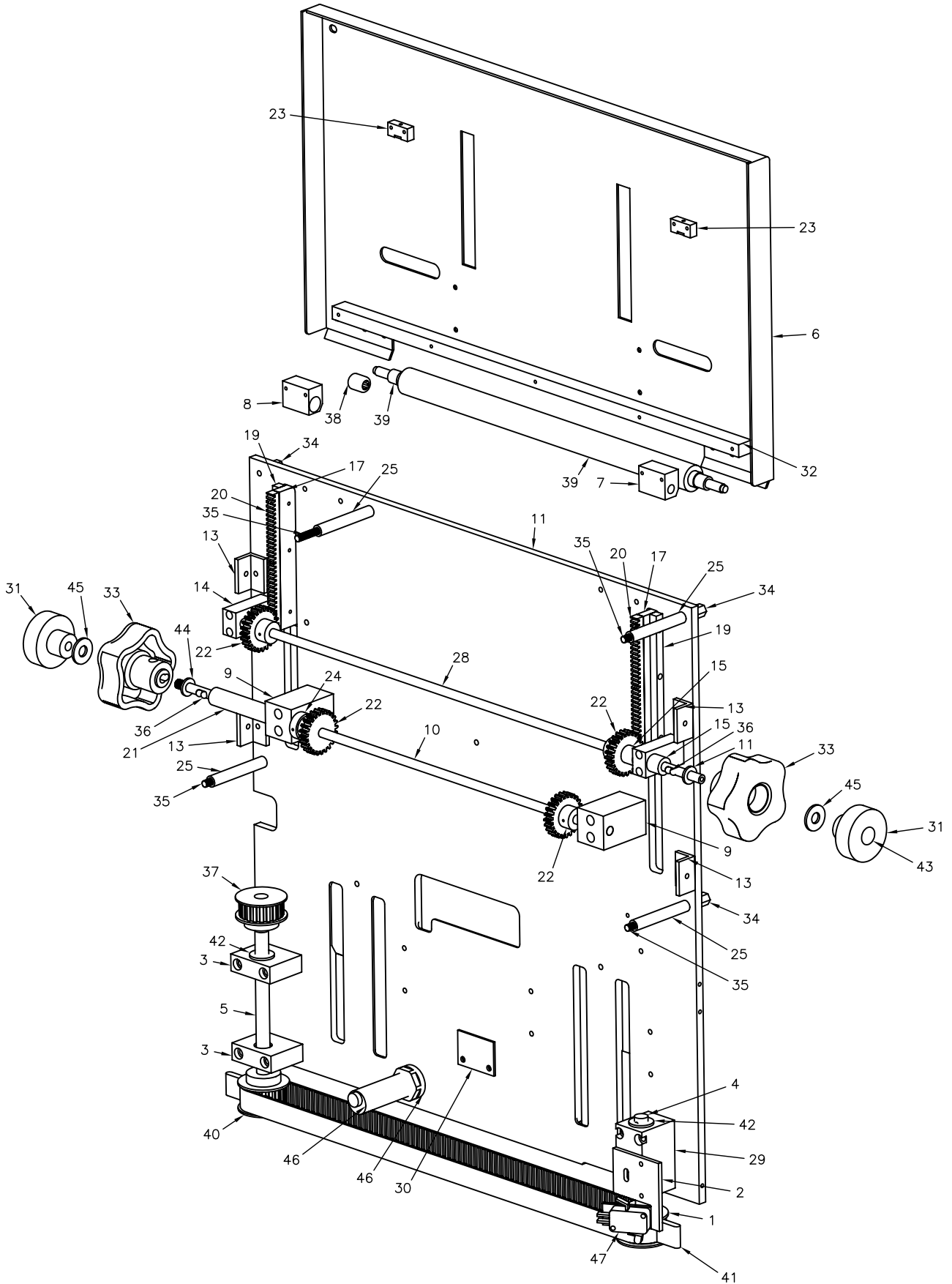
- Assembly, Front Plate & Roller Plate -



RAF-11 Preliminary PARTS BOOK

Page 5

- Assembly, Front Plate & Roller Plate -



PDI Performance Design Inc.

2350 E. Braniff, Boise, Idaho 83716 / 800-390-5782 / PDI@PDIBIND.com / www.RHIN-O-TUFF.com

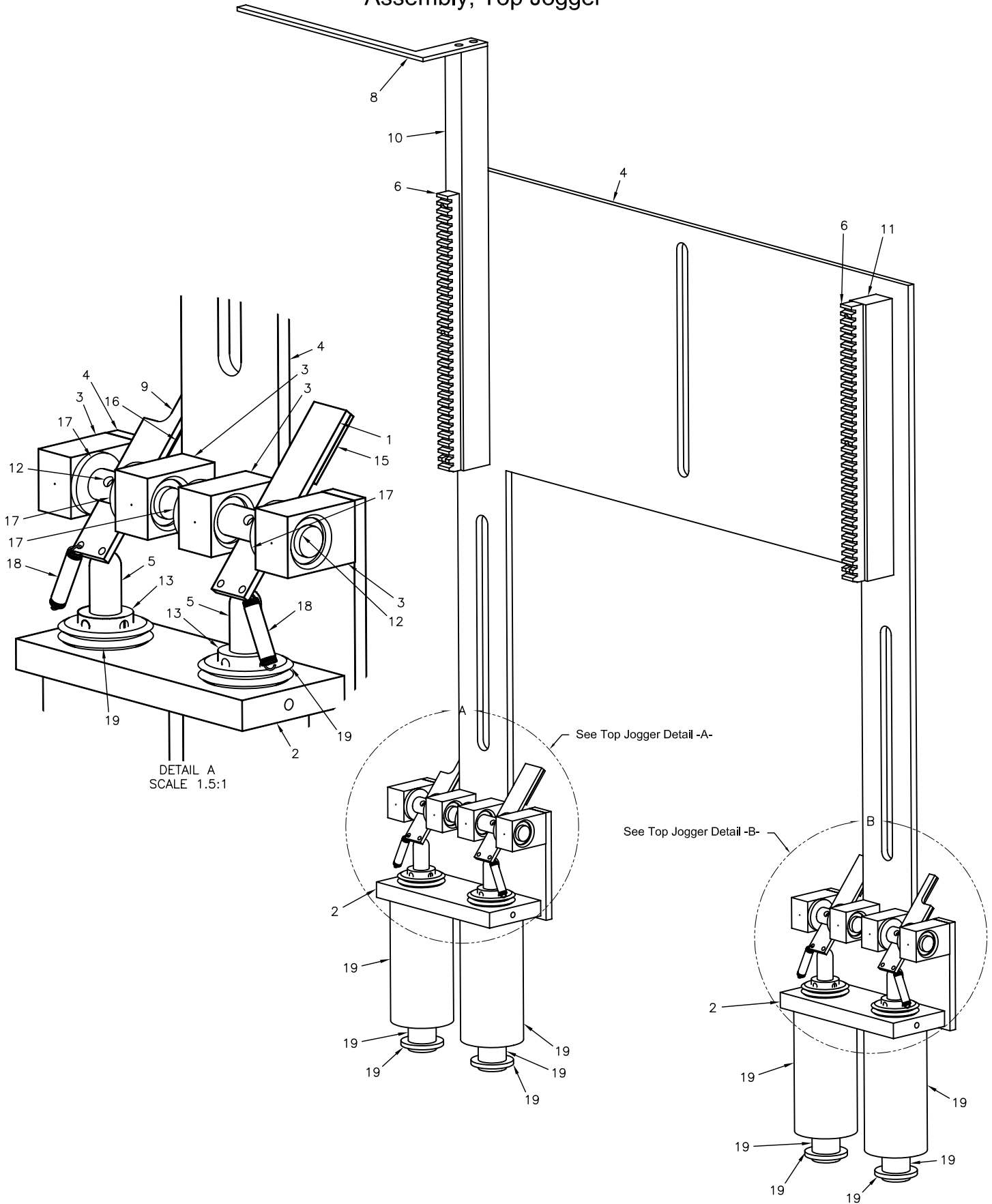
RAF-11 Preliminary PARTS BOOK

Page 6

- Assembly, Front Plate & Roller Plate -

<u>Item</u>	<u>Qty</u>	<u>Part Number</u>	<u>Name</u>	<u>Notes</u>
1	1	000028	PULLEY, EXTRACTION BELT IDLE	
2	1	000043	MOUNT, SWITCH EXTRACTION BELT	
3	2	000046	BLOCK, BEARING DRIVE END BELT	
4	1	000048	SHAFT, EXIT BELT IDLER	
5	1	000049	SHAFT, EXIT DRIVE BELT	
6	1	000085	COVER, ROLLER	
7	1	000086	BLOCK, ROLLER COVER RIGHT	
8	1	000087	BLOCK, ROLLER COVER LEFT	Assembled W/ 001255
9	2	000090	MOUNT, TOP JOGGER ADJ. SHAFT	
10	1	000091	SHAFT, TOP JOGGER ADJUSTMENT	
11	1	000094	PLATE, UPPER FRONT	
12	2	000121	PLATE, ROLLER PAD	
13	4	000210	MOUNT, COVER SIDE PLATES	
14	2	000226	STANDARD, PAPER STOP PINION	
15	2	000227	SPACER, STOP SHAFT TOP	
16	1	000228	PLATE, STOP TOP	
17	2	000229	SPACER, STOP RACK TOP	
18	1	000230	MOUNT, STOP FINGER TOP	
19	2	000231	GUIDE, STOP TOP	
20	2	000232	RACK, ADJUSTABLE STOP TOP	
21	1	000236	SPACER, ADJUSTABLE JOGGER SHAFT	
22	4	000242	GEAR, PINION	
23	2	000243	MOUNT, TOP STOP TAB	
24	1	000244	SPACER, TOP JOGGER ADJ SHAFT	
25	4	000246	SPACER, ELECTRICAL PANEL	
26	2	000247	STOP, FINGER TOP	
27	2	000248	STOP, FINGER TOP ADJUSTABLE	
28	1	000255	SHAFT, TOP PAPER STOP	
29	1	000260	BLOCK, IDLE END EXTRACTION	
30	1	000262	PLATE, WEAR	
31	2	000266	KNOB, LOCK	
32	1	000271	SUPPORT, ROLLER PLATE	
33	2	000272	ASSY, ADJUSTMENT KNOB	
34	4	000279	STANDOFF, ROLLER COVER	
35	4	000313	STUD, WIRE PANEL	
36	4	001101	BALL, STEEL	
37	1	001251	PULLEY, 20 TOOTH 3/8 BORE	
38	1	001255	CLUTCH, ROLLER	Assembled W/ 000087
39	1	001256	ROLLER, RUBBER	
40	1	000268	PULLEY, 20 TOOTH	
41	1	001269	BELT, TIMING (EXIT BELT)	
42	4	001293	BUSHING, FLANGE	
43	2	001396	PLUG, BUTTON 3/8 HOLE NICKEL PL	
44	1	003011	WASHER, NYLON.25IDX.50X1/16THK	
45	1	003210	WASHER, NYLON 1/4 X .687 FLAT	
46	1	007051	SENSOR, PAPER JAM	
47	1	007063	SWITCH, MICRO (STABBER & EXT)	

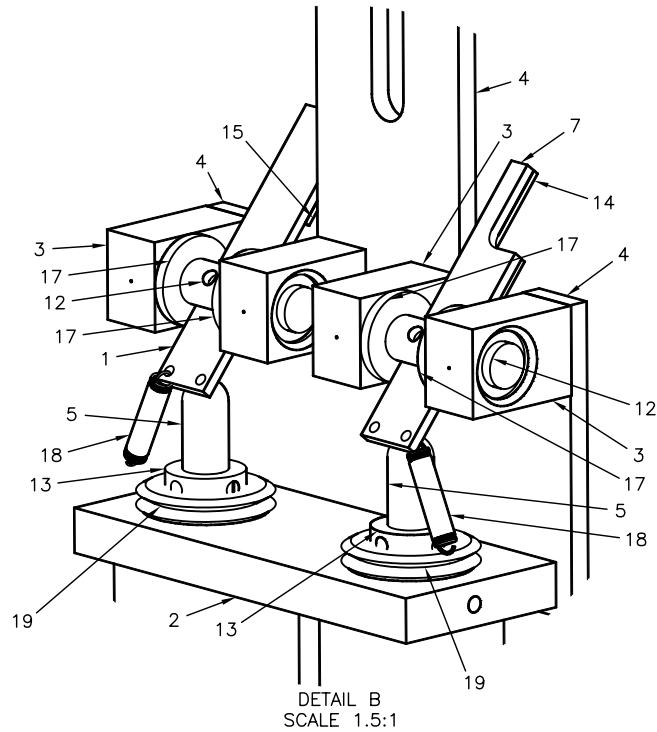
- Assembly, Top Jogger -



RAF-11 Preliminary PARTS BOOK

Page 8

- Assembly, Top Jogger -
Index

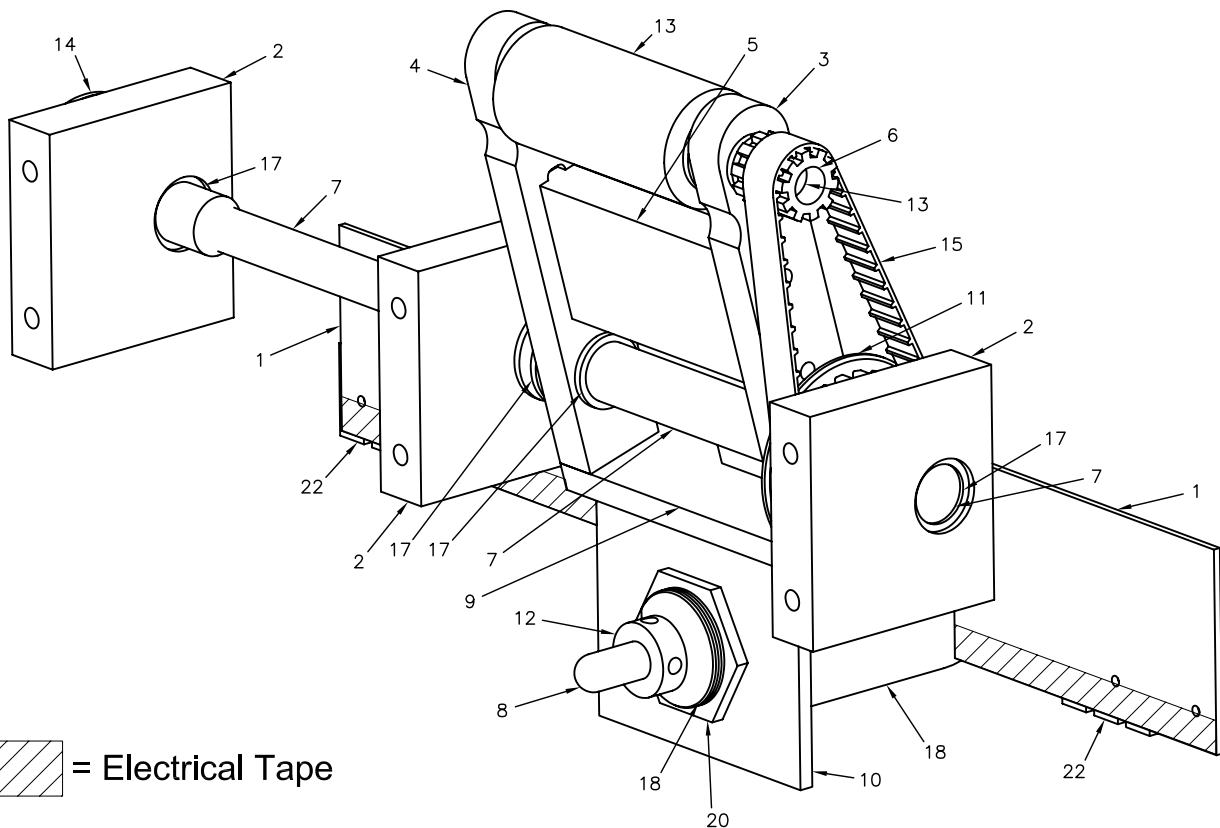
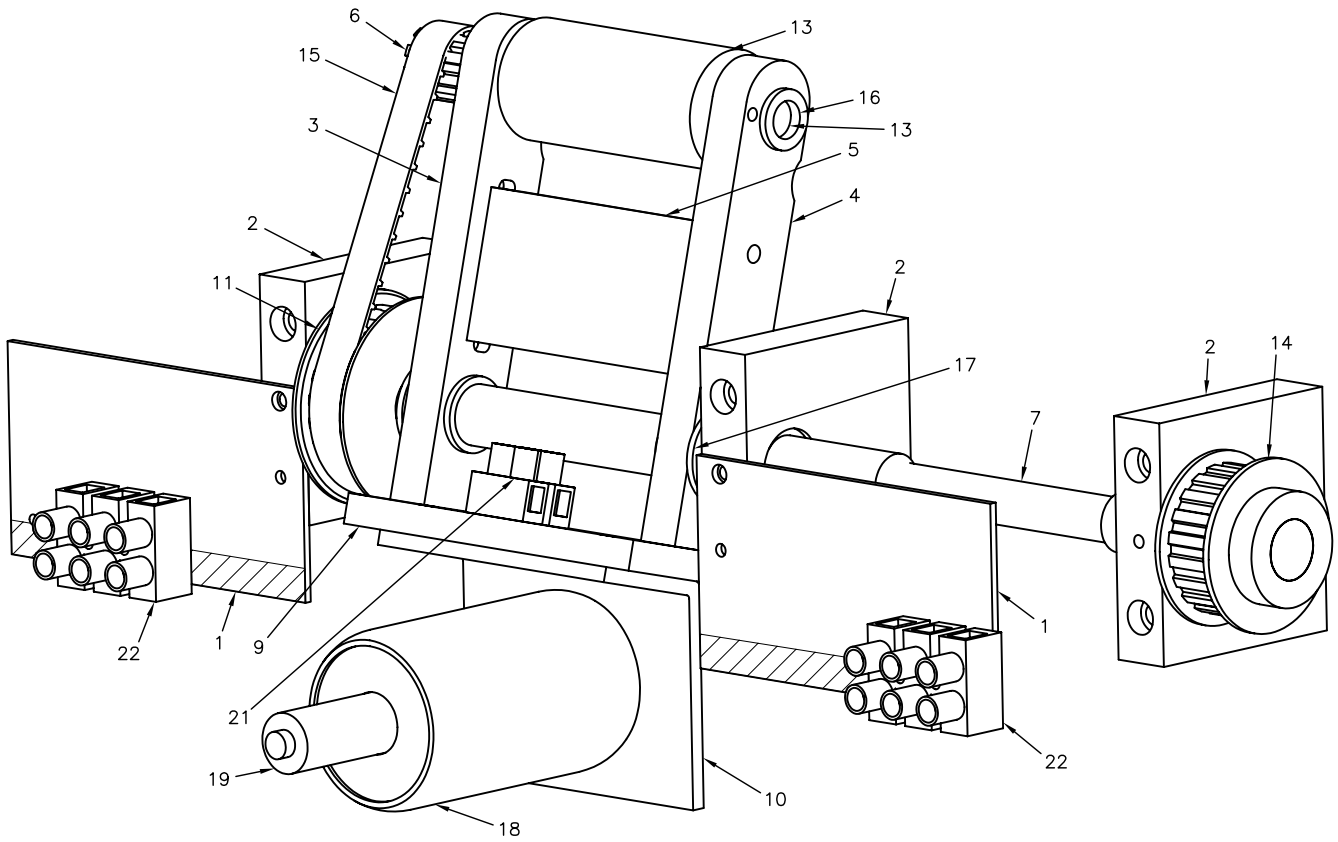


<u>Item</u>	<u>Qty</u>	<u>Part Number</u>	<u>Name</u>	<u>Notes</u>
1	2	000062	ARM,PAPER STOP JOGGER TOP	
2	2	000066	BRACKET,SOLENOID TOP JOGGER	
3	8	000067	BRACKET,SUPPORT TOP JOGGER	Assembled w/ 001293
4	1	000069	PLATE,SUPPORT TOP JOGGER	
5	4	000088	CAP,SOLENOID	
6	2	000089	RACK,ADJUSTMENT TOP JOGGER	
7	1	000216	STOP,PAPER TAB TOP JOGGER	
8	1	000219	INDICATOR, TOP JOGGER	
9	1	000222	STOP,PAPER TOP JOGGER TAB	
10	1	000224	SPACER,RACK LONG	
11	1	000225	SPACER,RACK SHORT	
12	4	000237	SHAFT,PIVOT TOP JOGGER	
13	4	000240	COLLAR, TOP JOGGER SET	
14	1	000334	PAD,LEFT TOP JOGGER	
15	2	000335	PAD,MIDDLE TOP JOGGER	
16	1	000336	PAD,RIGHT TOP JOGGER	
17	8	001293	BUSHING,FLANGE	Assembled w/ 000067
18	4	001307	SPRING, TOP JOGGER	
19	4	007046	SOLENOID,PUSH	

RAF-11 Preliminary PARTS BOOK

Page 9

- Assembly, Feed Roller -

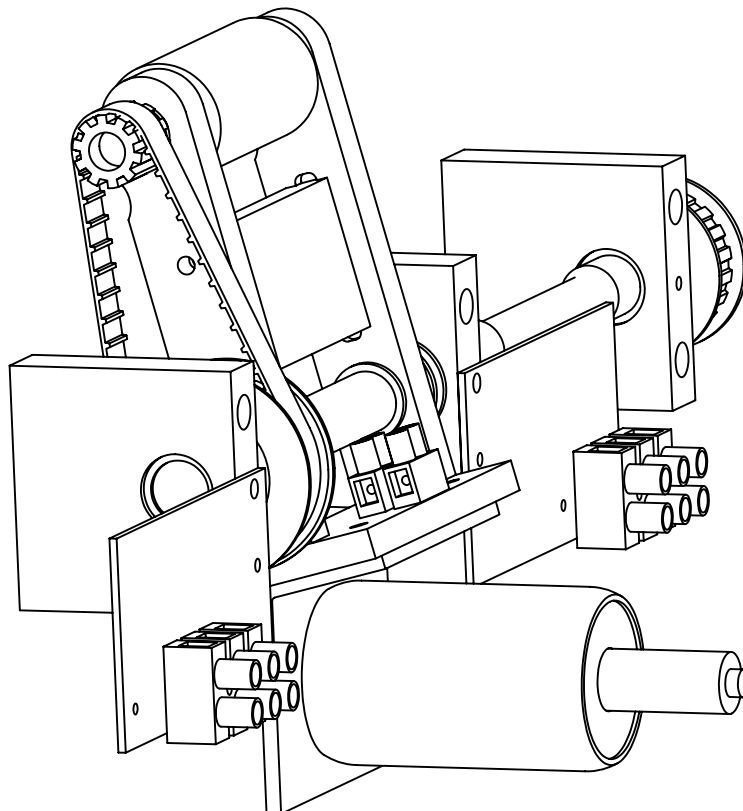


 = Electrical Tape

RAF-11 Preliminary PARTS BOOK

Page 10

- Assembly, Feed Roller -

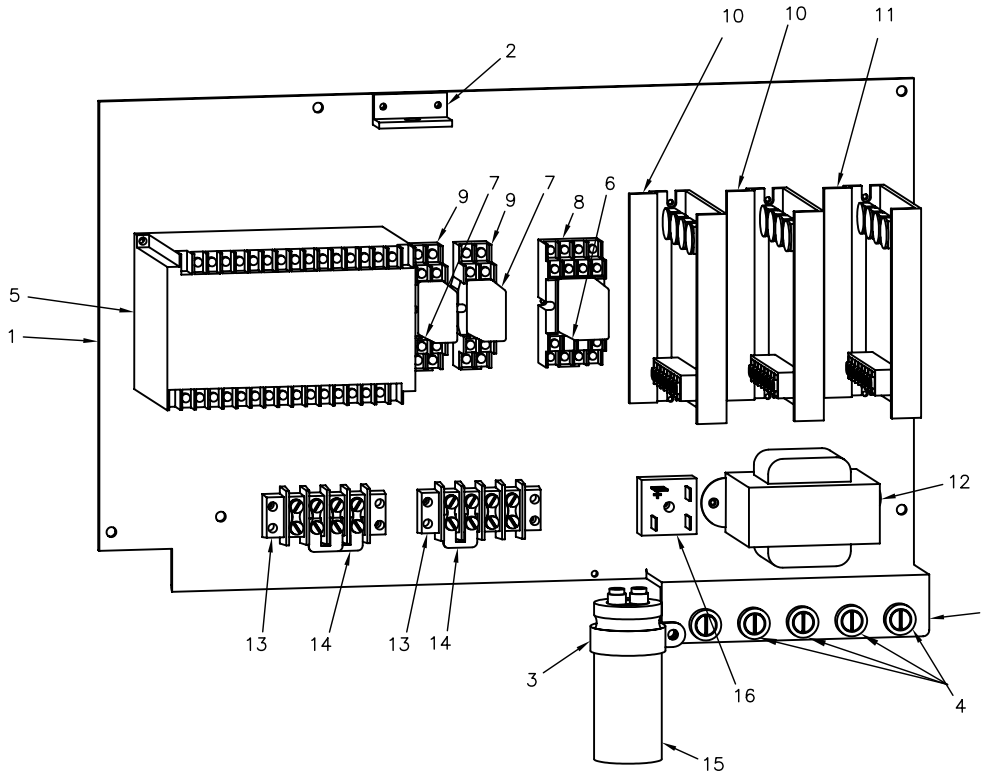


<u>Item</u>	<u>Qty</u>	<u>Part Number</u>	<u>Name</u>	<u>Notes</u>
1	2	000026	BRACKETS, TERMINAL BLOCK	
2	3	000036	BLOCK, ROLLER BEARING	
3	1	000037	ARM, ROLLER PIVOT LEFT	
4	1	000038	ARM, ROLLER PIVOT RIGHT	
5	1	000039	SPACER, ROLLER ARM	
6	1	000040	PULLEY, UPPER ROLLER	
7	1	000041	SHAFT, PAPER FEED	
8	1	000111	CAP, SOLENOID PUSHER PLATE	
9	1	000200	MOUNT, SOLENOID MOUNT	
10	1	000214	MOUNT, ROLLER SOLENOID	
11	1	000239	PULLEY, LOWER ROLLER	
12	1	000241	COLLAR, SET	
13	1	000276	ROLLER, UPPER 2.125" W/SHAFT	
14	1	001244	PULLEY, 20 TOOTH	
15	1	001253	BELT, TIMING	
16	2	001292	BUSHING, FL	
17	5	001295	BUSHING, FL	
18	1	007045	SOLENOID	
19	1	007045	SOLENOID (PART 1)	
20	1	007045	SOLENOID (PART 2)	
21	1	007053	STRIP, TERMINAL 2 POLE	
22	2	007054	STRIP, TERMINAL 3 POLE	

RAF-11 Preliminary PARTS BOOK

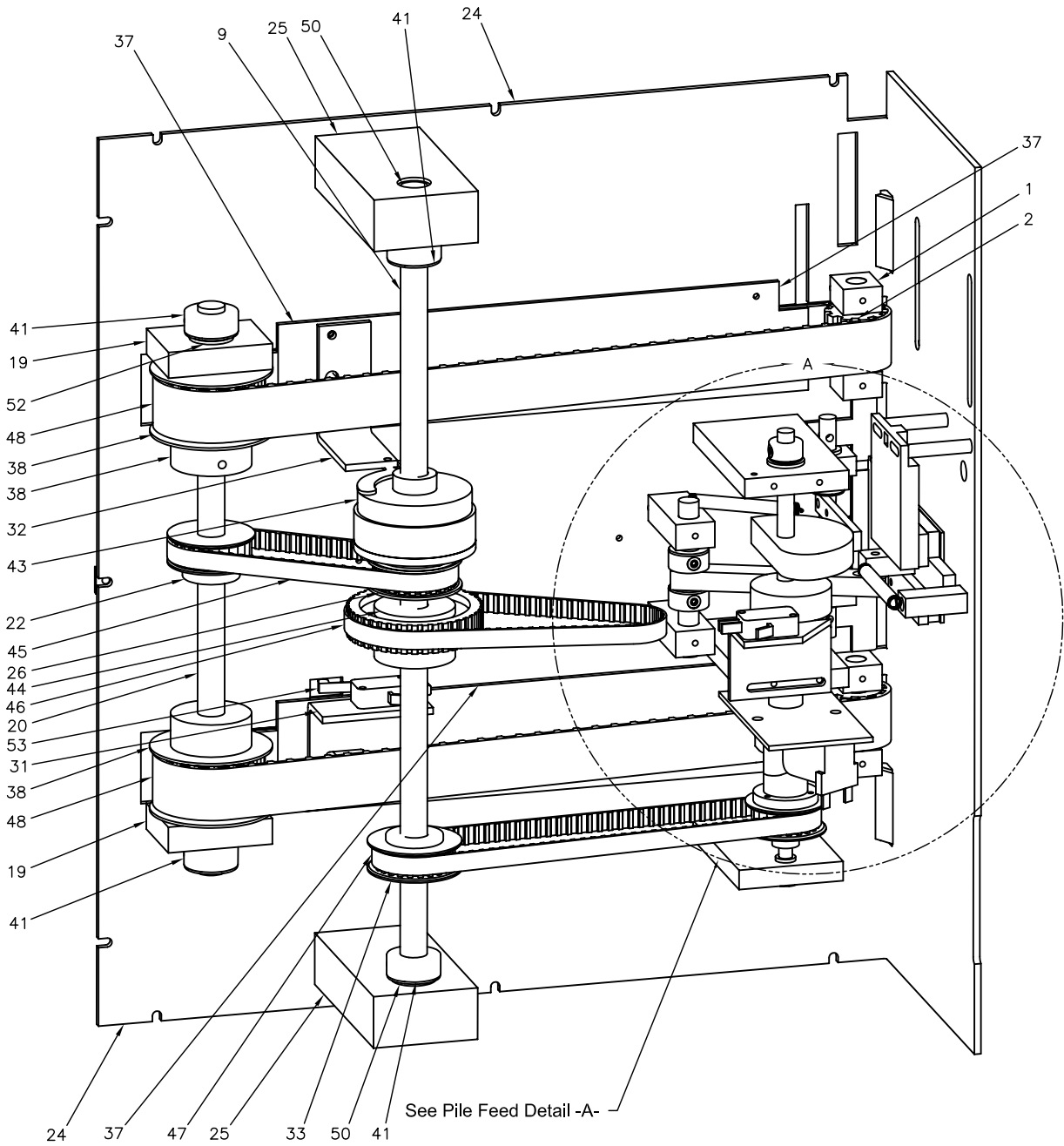
Page 11

- Assembly, Electrical Panel -
And Index

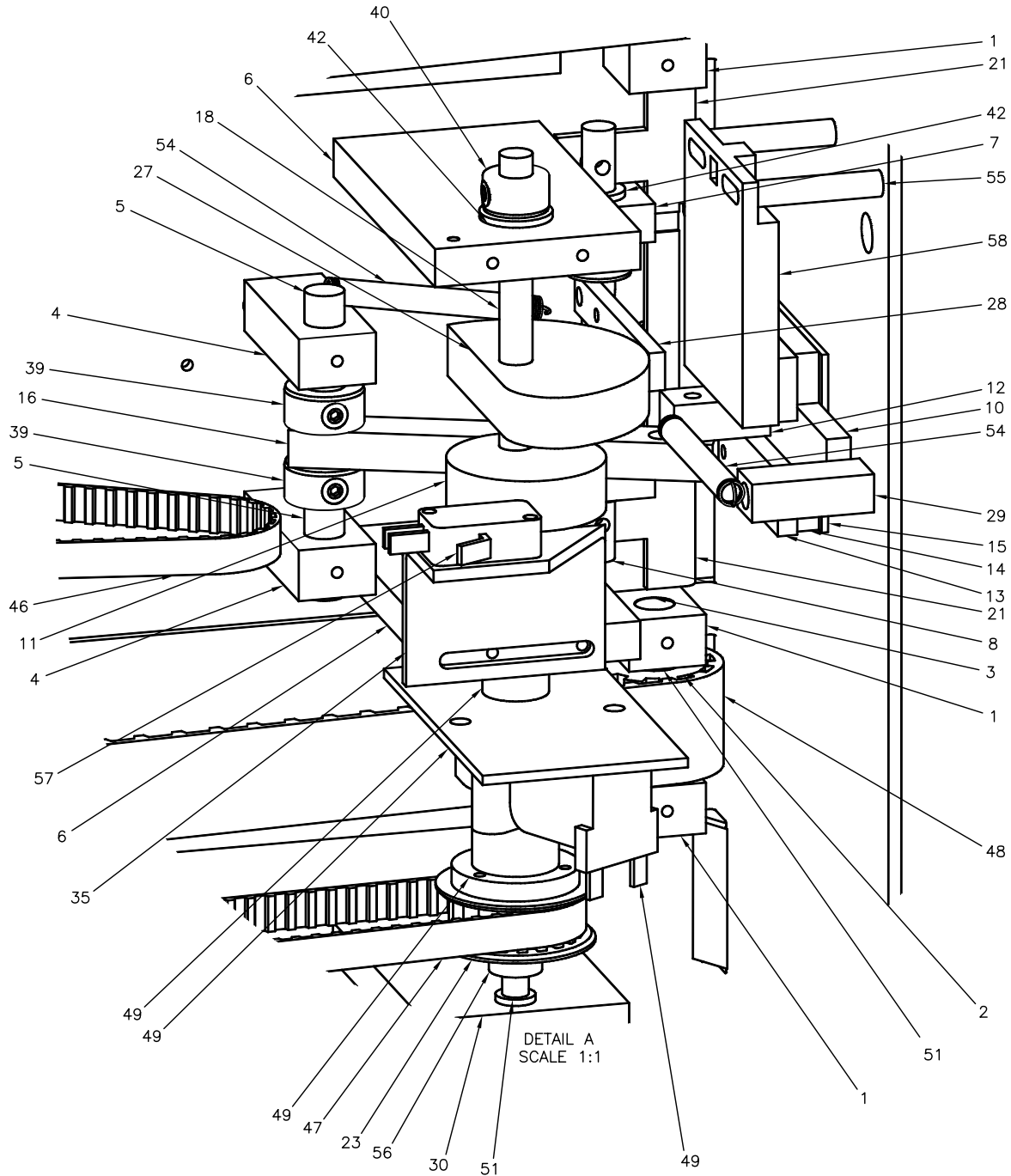


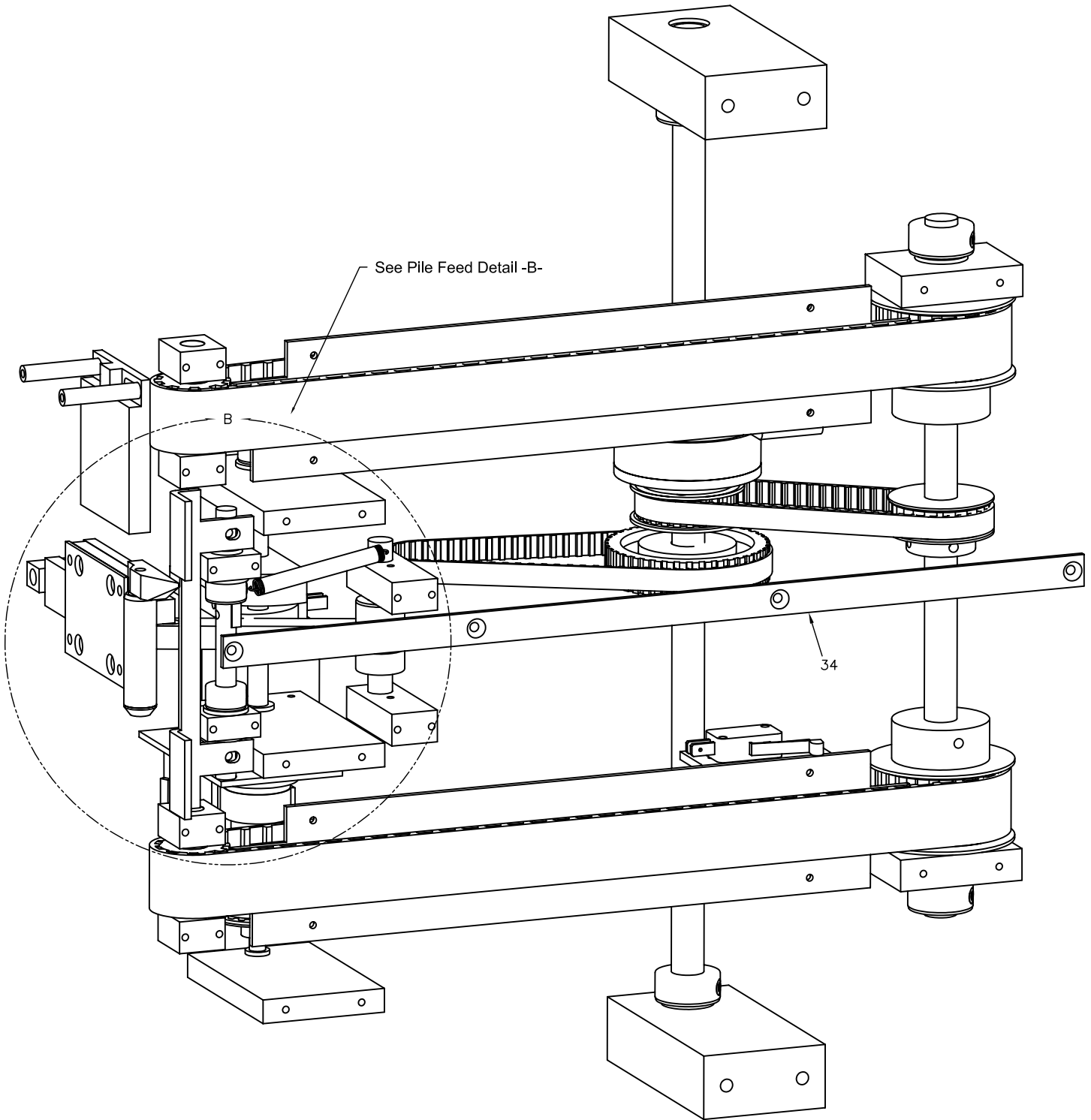
Refer To; 000115 MANUAL,RAF-11 OPERATORS TRAINING
For Fuse Specifications.

<u>Item</u>	<u>Qty</u>	<u>Part Number</u>	<u>Name</u>	<u>Notes</u>
1	1	000112	PANEL,ELECTICAL	
2	1	000292	RECEPTICAL,HOOD STAND	
3	1	001237	CLAMP,LOOM CAPACITOR RAF-11	
4	5	007000	FUSE,HOLDER	
5	1	007034	PLC,10 DC INPUT 8 RELAY OUTPUT	
6	1	007041	RELAY,RY4S-U-DC24V (4PDT)	
7	2	007042	RELAY,RY2S-U-DC24V (2PDT)	
8	1	007043	SOCKET,RELAY SY 4S-05 (4 POLE)	
9	2	007044	SOCKET,RELAY 2Y2S-05 (2 POLE)	
10	2	007048	CONTROLLER,MOTOR DART	
11	1	007049	CONTROLLER,MOTOR DART	
12	1	007052	TRANSFORMER, 120VAC TO 24VDC	
13	2	007057	STRIP,TERMINAL	
14	3	007058	JUMPER	
15	1	007061	CAPACITOR,2900MF 50VDC (LARGE)	
16	1	007110	RECTIFIER, FULL BRIDGE 35AMP	

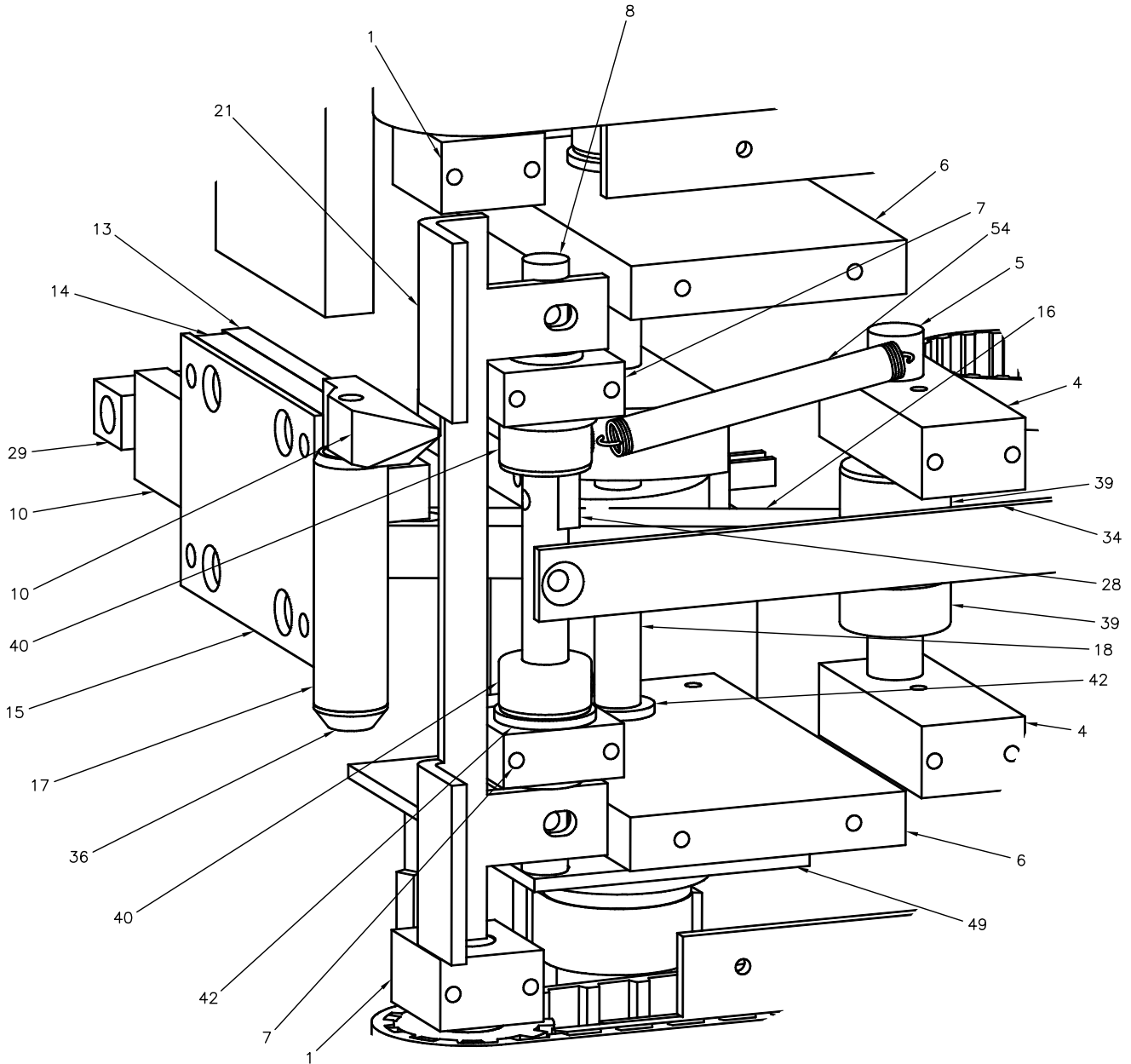


Bottom View





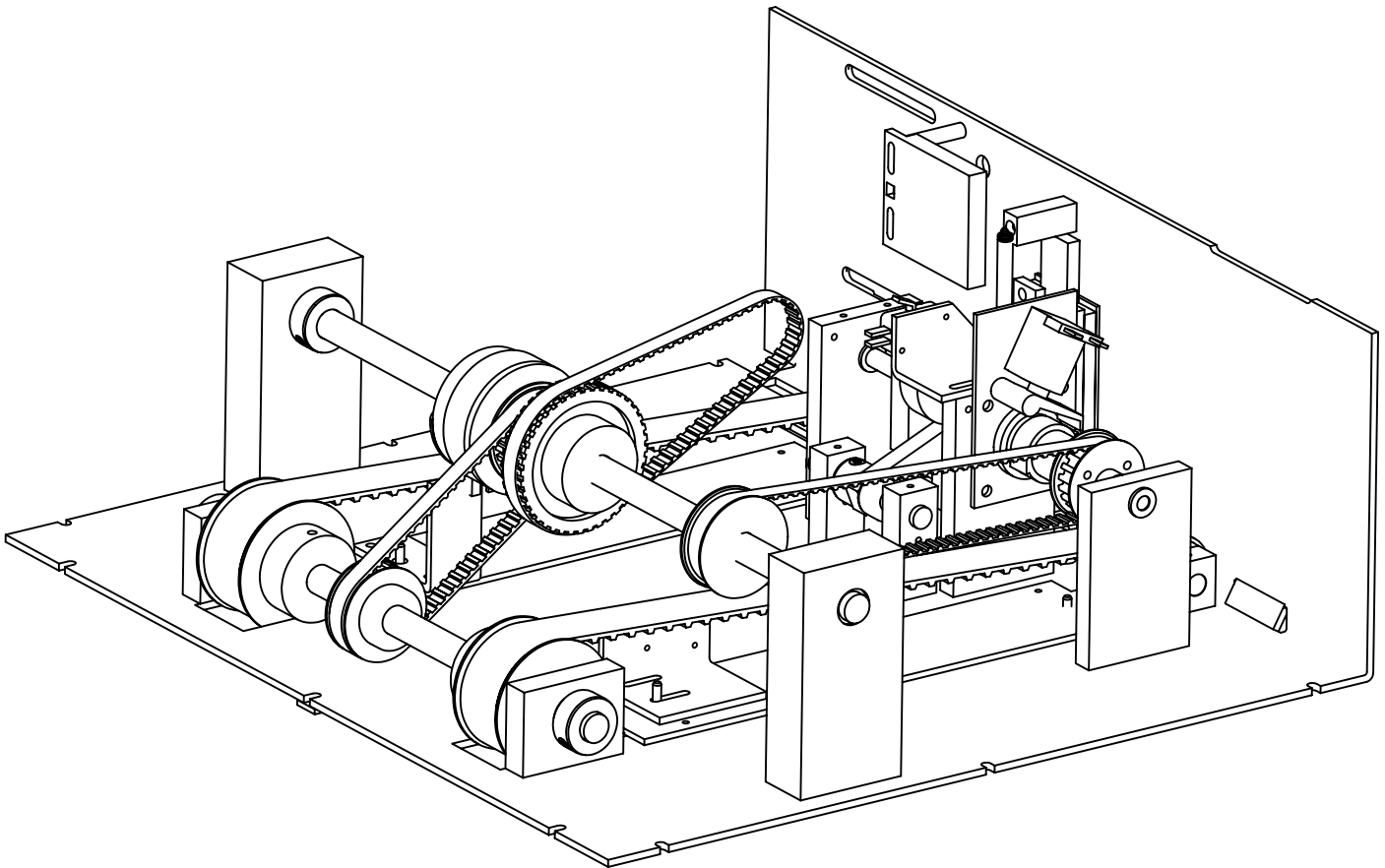
Top View - Shown Without 00035 Top Plate



DETAIL B
SCALE 1.4:1

RAF-11 Preliminary PARTS BOOK

Page 16
 - Assembly, Pile Feed -
 Index 1/2



<u>Item</u>	<u>PDI P/N</u>	<u>Qty.</u>	<u>Description</u>	<u>Notes</u>
1	000001	4	BLOCK,BEARING FRONT IDLER	
2	000002	2	PULLEY,FRONT IDLER	
3	000003	2	SHAFT,FRONT IDLER	
4	000004	2	BLOCK,PIVOT	
5	000005	1	SHAFT,PIVOT BLOCK	
6	000006	2	BLOCK,BEARING CAM SHAFT	
7	000007	2	BLOCK,BEARING PAPER STOP	
8	000008	1	BLOCK,BEARING SHAFT PAPER STOP	
9	000009	1	SHAFT,MAIN	
10	000010	1	STABBER,PAPER	
11	000012	1	CAM,.719 STROKE	
12	000013	1	BLOCK,STABBER PIVOT	
13	000014	2	GUIDE,STABBER	
14	000015	2	SPACER,STABBER GUIDE	
15	000016	1	BACKPLATE,STABBER GUIDE	
16	000017	1	LEVER,GUIDE	

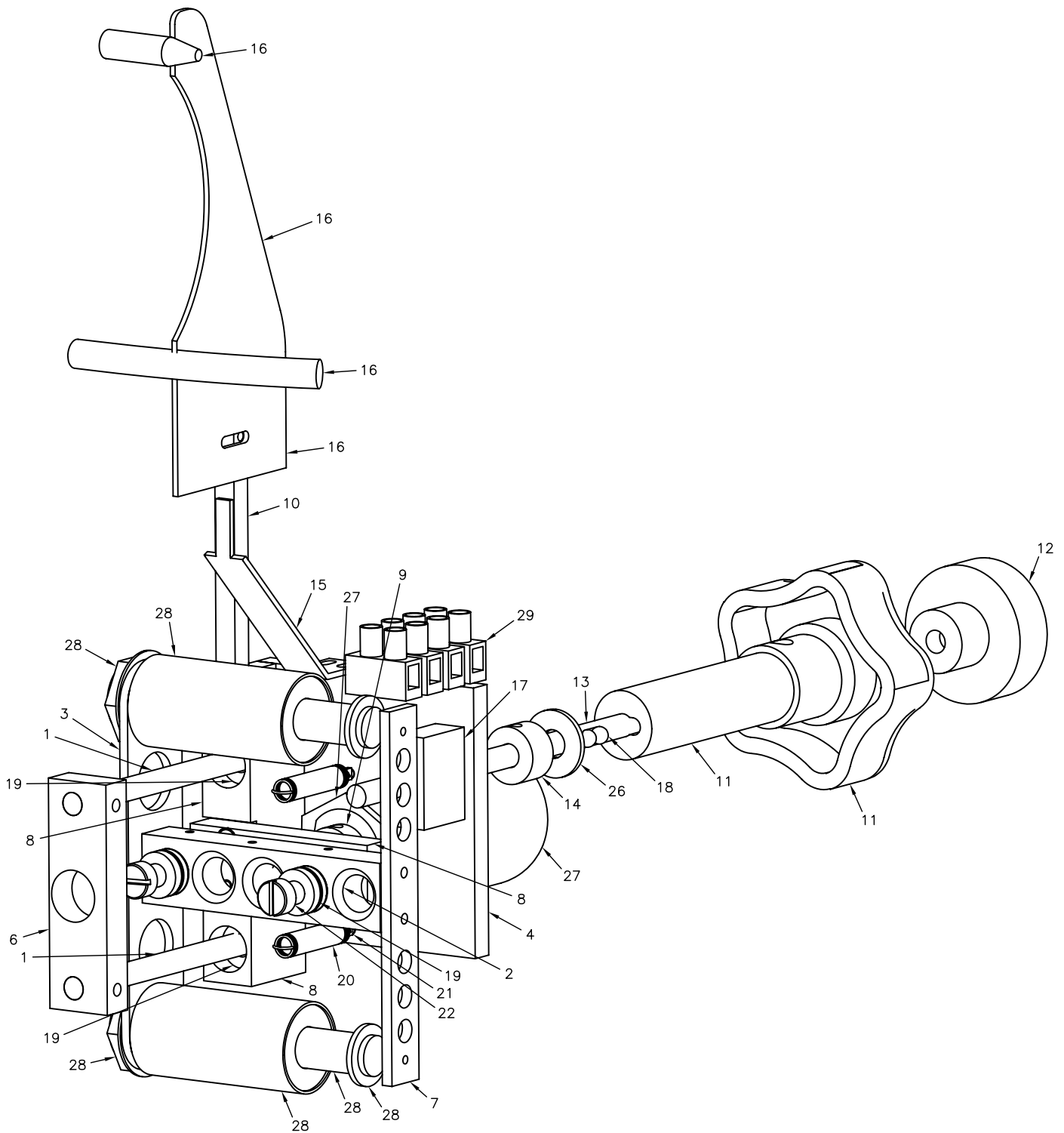
RAF-11 Preliminary PARTS BOOK

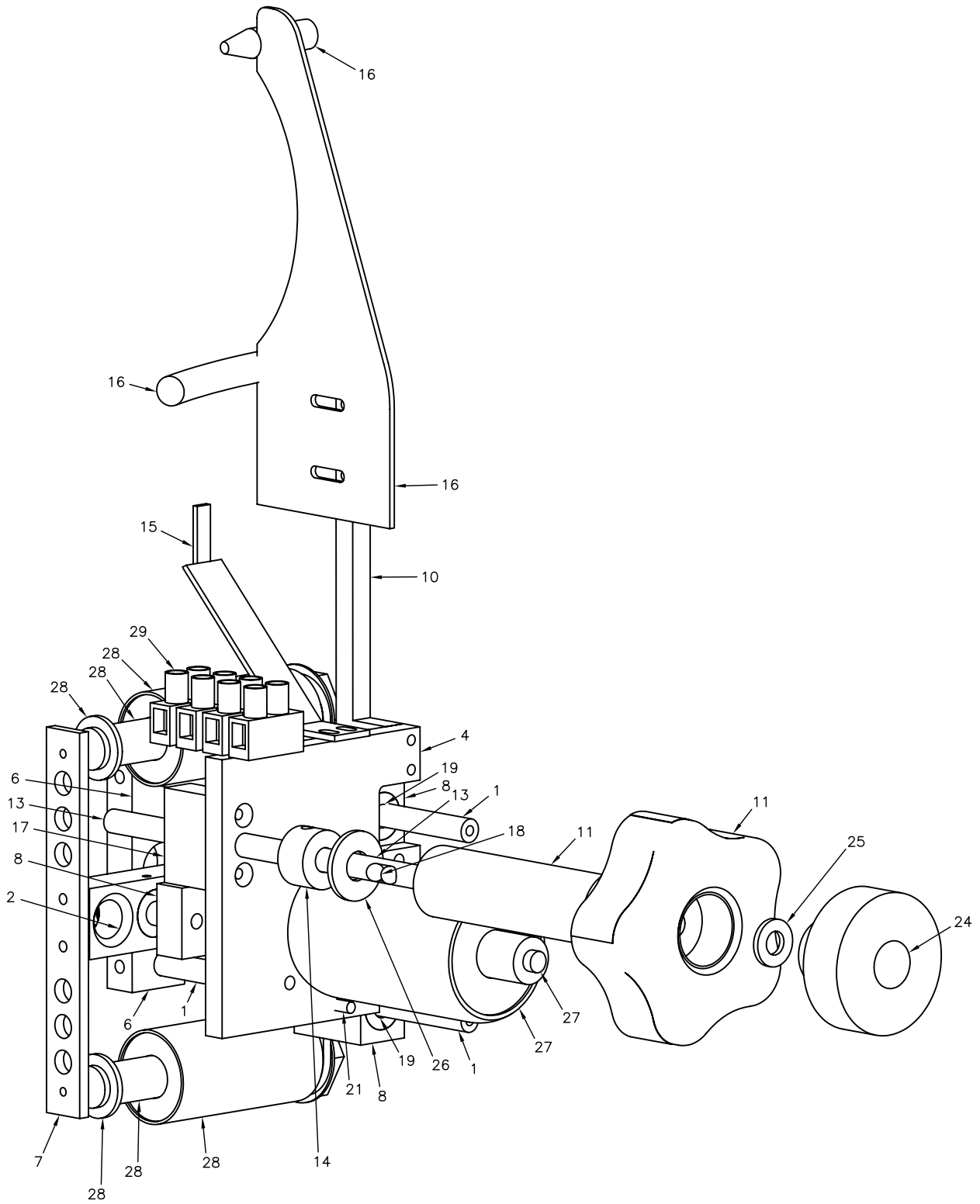
Page 17

- Assembly, Pile Feed -

Index 2/2

<u>Item</u>	<u>PDI P/N</u>	<u>Qty.</u>	<u>Description</u>	<u>Notes</u>
17	000019	1	ROLLER,PICKER	
18	000020	1	SHAFT,CAM	
19	000021	2	BLOCK,BEARING PILE FEED	
20	000022	1	SHAFT,PILE FEED	
21	000025	1	STOP,PAPER	
22	000027	1	PULLEY,PILE DRIVE SHAFT	
23	000030	1	PULLEY,STABBER CLUTCH	
24	000035	1	PLATE, TOP MACHINED	
25	000050	2	BLOCK,MAIN SHAFT	
26	000053	1	PULLEY,CLUTCH	
27	000059	1	CAM,PAPER STOP	
28	000060	1	LEVER,PAPER STOP	
29	000201	1	HOLDER,STABBER SPRING	
30	000202	1	BLOCK,CAM SHAFT SUPPORT	
31	000211	1	BRACKET,SLOW DOWN SWITCH	
32	000218	1	BRACKET,STATIONARY DRIVE	
33	000239	1	PULLEY,LOWER ROLLER	
34	000253	1	BAR,GUIDE	
35	000325	1	MOUNT,ONE CYCLE SWITCH	
36	000337	1	PLUG, ROLLER	
37	000501	2	ASSY, FILLER PLATE	
38	001231	2	PULLEY,TIMING 17 GROOVES	
39	001232	2	COLLAR,SHAFT 3/8 BORE	
40	001233	3	COLLAR,SHAFT 5/16 BORE	
41	001234	4	COLLAR,SHAFT 1/2 BORE	
42	001236	4	BUSHING,FL 5/16ID X 1/2OD X3/8	
43	001238	1	CLUTCH, (PILE FEED)	
44	001239	1	PULLEY,40 TOOTH 1/2 BORE	
45	001241	1	BELT,TIMING 65 GROOVES XL 130	
46	001242	1	BELT,TIMING 69 GROOVES XL 138	
47	001245	1	BELT,TIMING 93 GROOVES XL 186	
48	001267	2	BELT,TIMING (PILE FEED)	
49	001271	1	CLUTCH	
50	001291	2	BUSHING,FL 1/2ID X 5/8OD X1L	
51	001294	5	BUSHING,FL 3/8ID X 1/2OD X1/2L	
52	001295	2	BUSHING,FL 1/2ID X 5/8OD 1/2L	
53	001299	1	MICROSWITCH,PILE FEED	
54	001309	2	SPRING,RETURN RAF-11	
55	001392	2	SPACER,.140ID .312OD X 1.1/4L	
56	001411	1	BUSHING,ST 1/4ID X 1/2OD X1/2L	
57	007063	1	SWITCH,MICRO	
58	007064	1	REFLECTOR, SENSOR	





RAF-11 Preliminary PARTS BOOK

Page 20

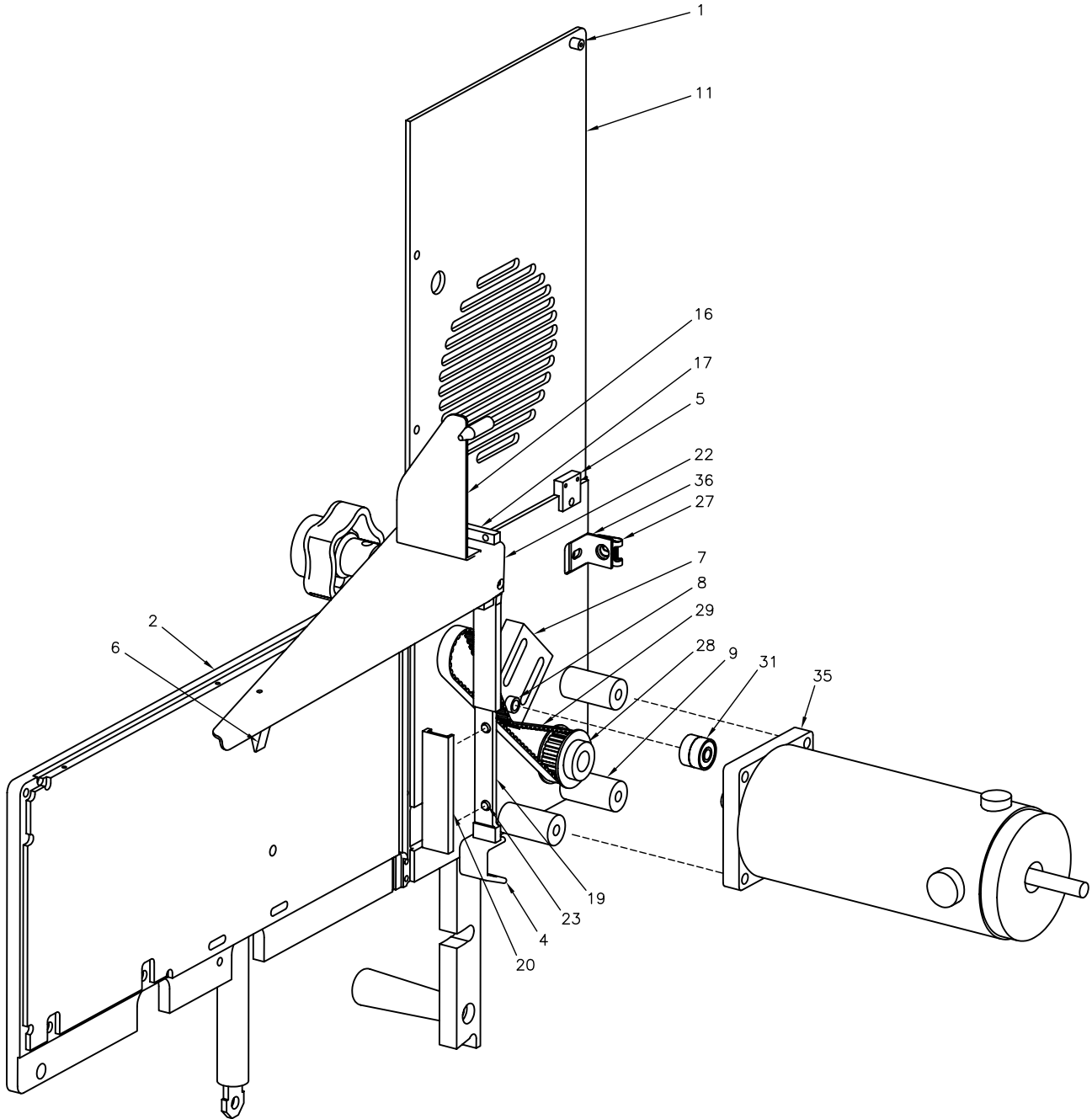
- Assembly, Lateral Jogger -
Index

<u>Item</u>	<u>Qty</u>	<u>Part Number</u>	<u>Name</u>	<u>Notes</u>
1	2	000075	SHAFT,LATERAL JOGGER GUIDE	
2	1	000078	BLOCK,SPACER LATERAL JOGGER	
3	1	000079	BRACKET,SOLENOID LATERAL JOGGR	
4	1	000082	BASE,LATERAL JOGGER SOLENOID	
5	1	000111	CAP,SOLENOID PUSHER PLATE	
6	1	000205	GUIDE, JOGGER	
7	1	000206	BACKSTOP, SOLENOID	
8	1	000213	ASSY,PUSH BLOCK & MACHINING	
9	1	000241	COLLAR,SET	
10	1	000256	MOUNT,PAPER GUIDE RIGHT	
11	1	000264	ASSY,LATERAL JOGGER KNOB MOD.	
12	1	000266	KNOB,LOCK	
13	1	000269	SHAFT,LATERAL JOGGER ADJ.	
14	1	000270	STOP,LATERAL JOGGER ADJUSTMENT	
15	1	000280	INDICATOR,PILE	
16	1	000286	ASSY,WELD PAPER GUIDE RIGHT	
17	1	000319	BOSS,LATERAL JOGGER ADJUSTMENT	
18	2	001101	BALL,STEEL	
19	4	001297	BUSHING,SLIDE	
20	2	001308	SPRING,LATERAL JOGGER	Inside 007046
21	2	001311	SPRING,ANCHOR RAF-11	
22	2	001316	BOLT,SHOULDER PRECISION	
23	2	001322	SPRING,LATERAL JOGGER SOLENOID	
24	1	001396	PLUG,BUTTON 3/8 HOLE NICKEL PL	
25	1	003210	WASHER,NYLON	
26	1	003210	WASHER,NYLON 1/4 X .687 FLAT	
27	1	007045	SOLENOID	
28	2	007046	SOLENOID,PUSH DELTROL	
29	1	007056	STRIP,TERMINAL 4 POLE	

RAF-11 Preliminary PARTS BOOK

Page 21

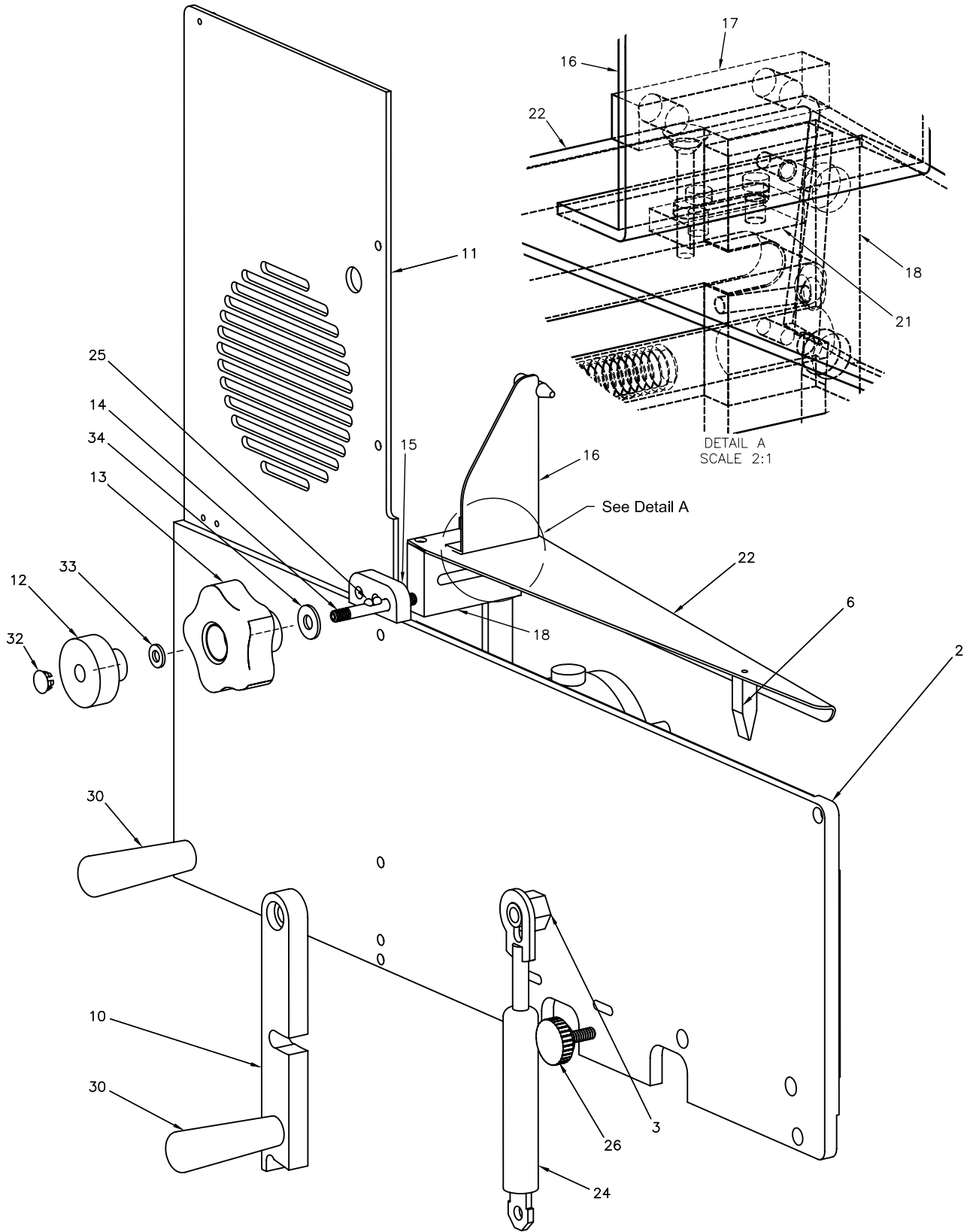
- Assembly, Side Plate, Left, and Left Paper Guide -



RAF-11 Preliminary PARTS BOOK

Page 22

- Assembly, Side Plate, Left, and Left Paper Guide -



RAF-11 Preliminary PARTS BOOK

Page 23

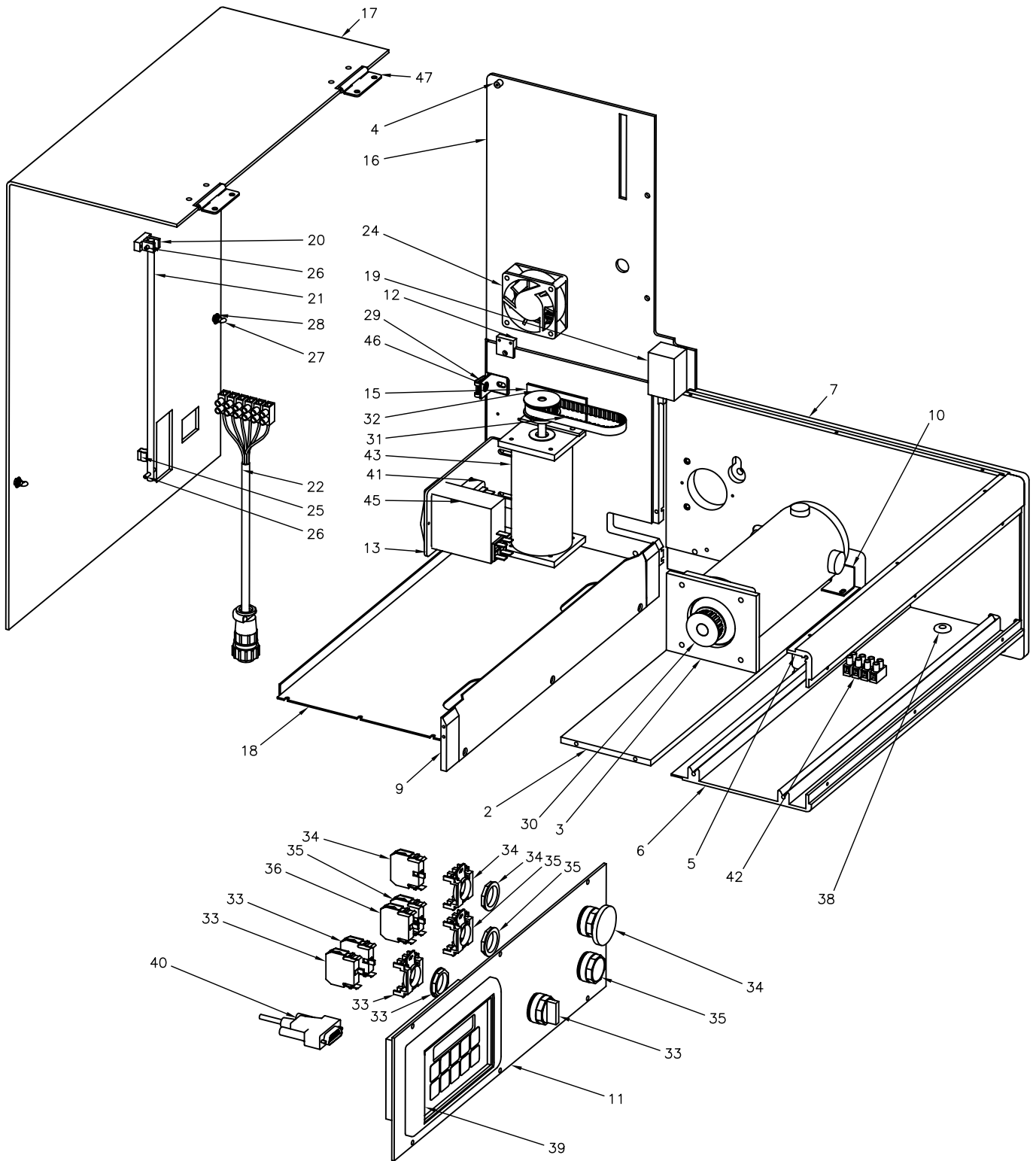
- Assembly, Side Plate, Left, and Left Paper Guide -

<u>Item</u>	<u>PDI P/N</u>	<u>Qty</u>	<u>Description</u>	<u>Notes</u>
1	000029	1	REST, TOP COVER	
2	000044	1	SIDEPLATE, RIGHT (RAF LEFT)	
3	000047	1	MOUNT, LIFT SHOCK TOP	
4	000120	1	T GUIDE, PAPER STOP W/ EXIT	
5	000204	1	MOUNT, SIDE COVER PLATE	
6	000209	1	POINTER, PILE GUIDE	
7	000233	1	BLOCK, BELT TENSION	
8	000234	1	SPACER, BEARING	
9	000235	3	SPACER, MOTOR MOUNT	
10	000254	1	LATCH, SAFETY JACK	
11	000258	1	PLATE, SIDE COVER LEFT	
12	000266	1	KNOB, LOCK	
13	000272	1	ASSY, ADJUSTMENT KNOB	
14	000274	1	SHAFT, LATERAL JOGGER ADJ.	
15	000275	1	MOUNT, LEFT PAPER STOP GUIDE	
16	000285	1	ASSY, WELD PAPER GUIDE LEFT	
17	000298	1	GUIDE, PAPER LEFT	
18	000320	1	BLOCK, PAPER GUIDE	
19	000321	1	EXTENSION, PAPER STOP	
20	000322	1	CHANNEL, PAPER STOP	
21	000324	1	NUT, PAPER GUIDE	
22	000326	1	GUIDE, LEFT PILE	
23	000331	2	CUSHION, EXTENSION/CHANNEL	
24	001011	1	SHOCK, GAS	
25	001101	2	BALL, STEEL	
26	001134	1	KNOB, STUDDED 1/4-20 X 1	
27	001159	1	RECEPTICAL, SAFETY FASTENER	
28	001244	1	PULLEY, 20 TOOTH 1/2" BORE	
29	001254	1	BELT, TIMING 78 GROOVES XL156	
30	001286	2	HANDLE, TAPERED (LIFT MACH &	
31	001288	2	BEARING, BALL (BELT TENSIONER)	
32	001396	1	PLUG, BUTTON 3/8 HOLE NICKEL PL	
33	003011	1	WASHER, NYLON.25IDX.50X1/16THK	
34	003210	1	WASHER, NYLON 1/4 X .687 FLAT	
35	007820	1	MOTOR, 1/4 HP DC 115V	
36	040670	1	BRACKET, SAFETY SCREW	

RAF-11 Preliminary PARTS BOOK

Page 24

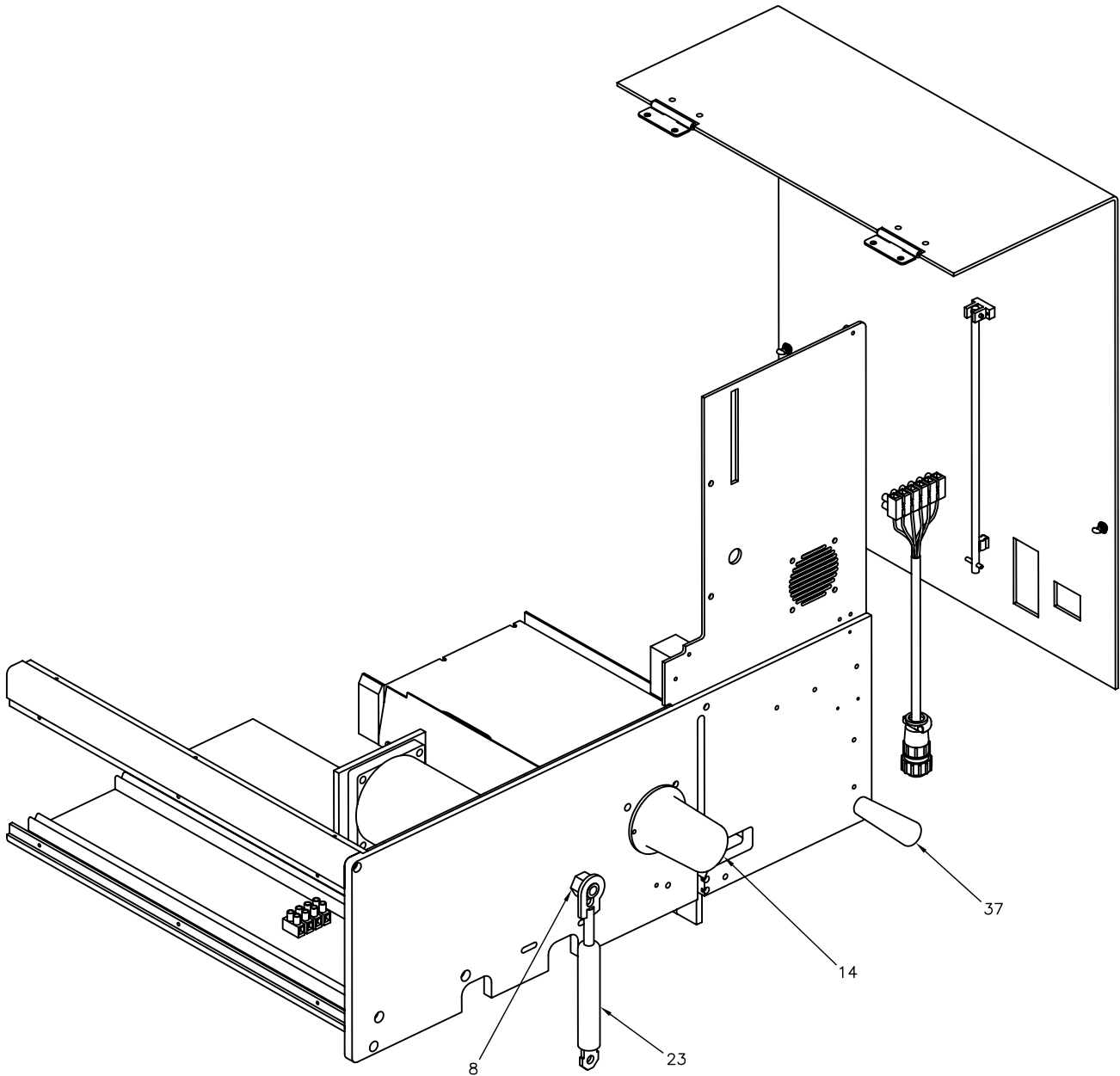
- Assembly, Side Plate, Right And Bottom, Rear Cover, Operator Panel -



RAF-11 Preliminary PARTS BOOK

Page 25

- Assembly, Side Plate, Right And Bottom, Rear Cover, Operator Panel -



RAF-11 Preliminary PARTS BOOK

Page 26

- Assembly, Side Plate, Right And Bottom, Rear Cover, Operator Panel -
Index

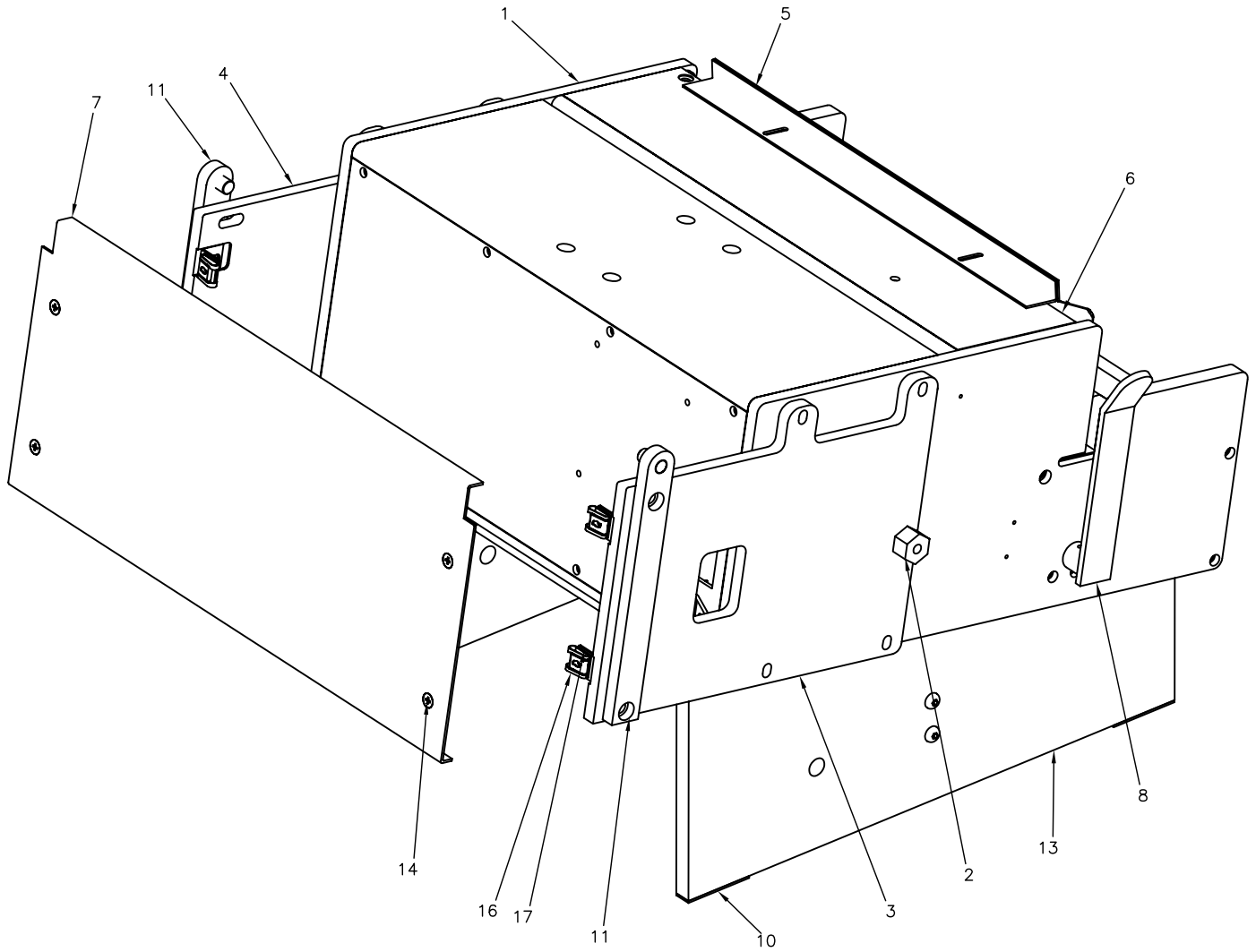
<u>Item</u>	<u>PDI P/N</u>	<u>Qty.</u>	<u>Description</u>	<u>Notes</u>
1	000011	1	PLATE,INSERT LOWER FRONT	Assembled W/000093
2	000023	1	PLATE,MOTOR ADJUSTMENT	
3	000024	1	BRACKET,MOTOR	
4	000029	1	REST, TOP COVER	
5	000033	1	EXTRUSION, TOP REAR	
6	000034	1	EXTRUSION, BOTTOM REAR	
7	000045	1	SIDEPLATE, LEFT (RAF-Right)	
8	000047	1	MOUNT, LIFT SHOCK TOP	
9	000093	1	PLATE, LOWER FRONT	Assembled W/000011
10	000134	1	MOUNT, MAIN MOTOR RAF	
11	000203	1	PANEL, USER INTERFACE	
12	000204	1	MOUNT, SIDE COVER PLATE	
13	000207	1	MOUNT, SWITCH	
14	000212	1	CAP, SOLENOID	
15	000252	1	MOUNT, EXTRACTION MOTOR	
16	000257	1	PLATE, SIDE COVER RIGHT	
17	000259	1	PANEL, REAR COVER	
18	000261	1	COVER, BOTTOM	
19	000277	1	COVER, WIRE	
20	000291	1	PIVOT, HOOD STAND	
21	000293	1	ROD, HOOD STAND	
22	000400	1	ASSY, RECEPTION CONTROL CABLE	
23	001011	1	SHOCK, GAS	
24	001019	1	FAN, COOLING 2.1/4"	
25	001033	1	CLIP, SPRING 1/4"	
26	001062	2	PIN, ROLL 1/8 X 3/4"	
27	001157	2	SCREW, LOCK SAFETY FASTENER	
28	001158	2	KEEPER, SAFETY FASTENER	
29	001159	1	RECEPTICAL, SAFETY FASTENER	
30	001244	1	PULLEY, 20 TOOTH 1/2" BORE	
31	001246	1	BELT, TIMING 52 GROOVES XL 104	
32	001252	1	PULLEY, 20 TOOTH 5/16 BORE	
33	001282	1	SWITCH, TAB SELECTOR	
34	001283	1	E-STOP, MUSHROOM	
35	001284	1	OPERATOR, FLUSH	
36	001285	1	BLOCK, CONTACT	
37	001286	1	HANDLE, TAPERED	
38	001393	1	GROMMET	
39	007032	1	PANEL, OPTIMATE OPERATOR	
40	007033	1	CABLE, OPTIMATE OPERATOR PANEL	
41	007040	1	RECEPTICLE, CORD FOOT PEDAL	
42	007056	1	STRIP, TERMINAL 4 POLE	
43	007062	1	MOTOR, DC (PAPER EXIT)	
44	007820	1	MOTOR, 1/4 HP DC 115V	
45	008140	1	FILTER	
46	040670	1	BRACKET, SAFETY SCREW	
47	091180	2	HINGE, HOOD	

RAF-11 Preliminary PARTS BOOK

Page 27

- Assembly, HD 7000 A -

See Parts Book P/N 072700 For HD 7000 Equipment

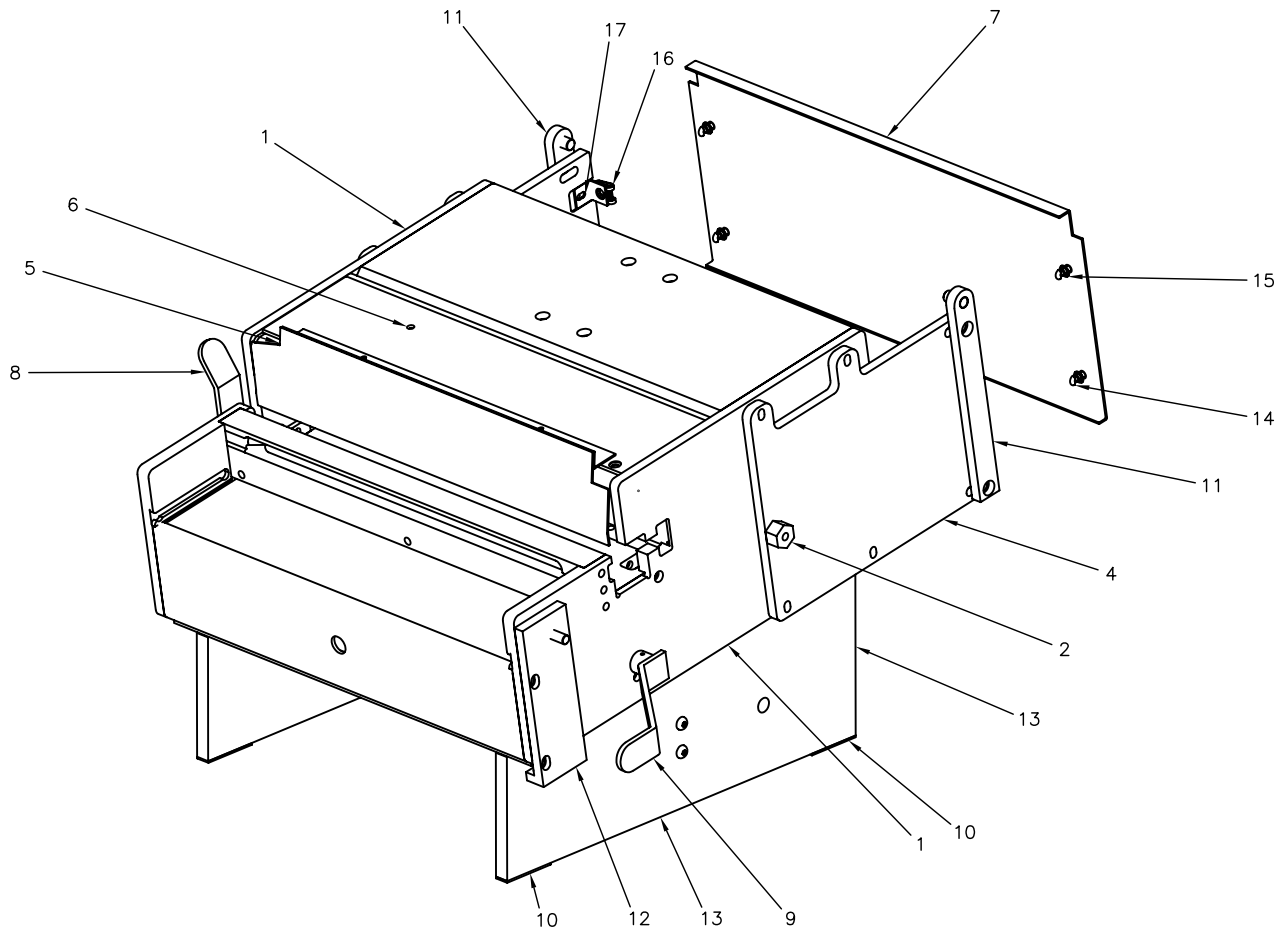


RAF-11 Preliminary PARTS BOOK

Page 28

- Assembly, HD 7000 A -

See Parts Book P/N 072700 For HD 7000 Equipment

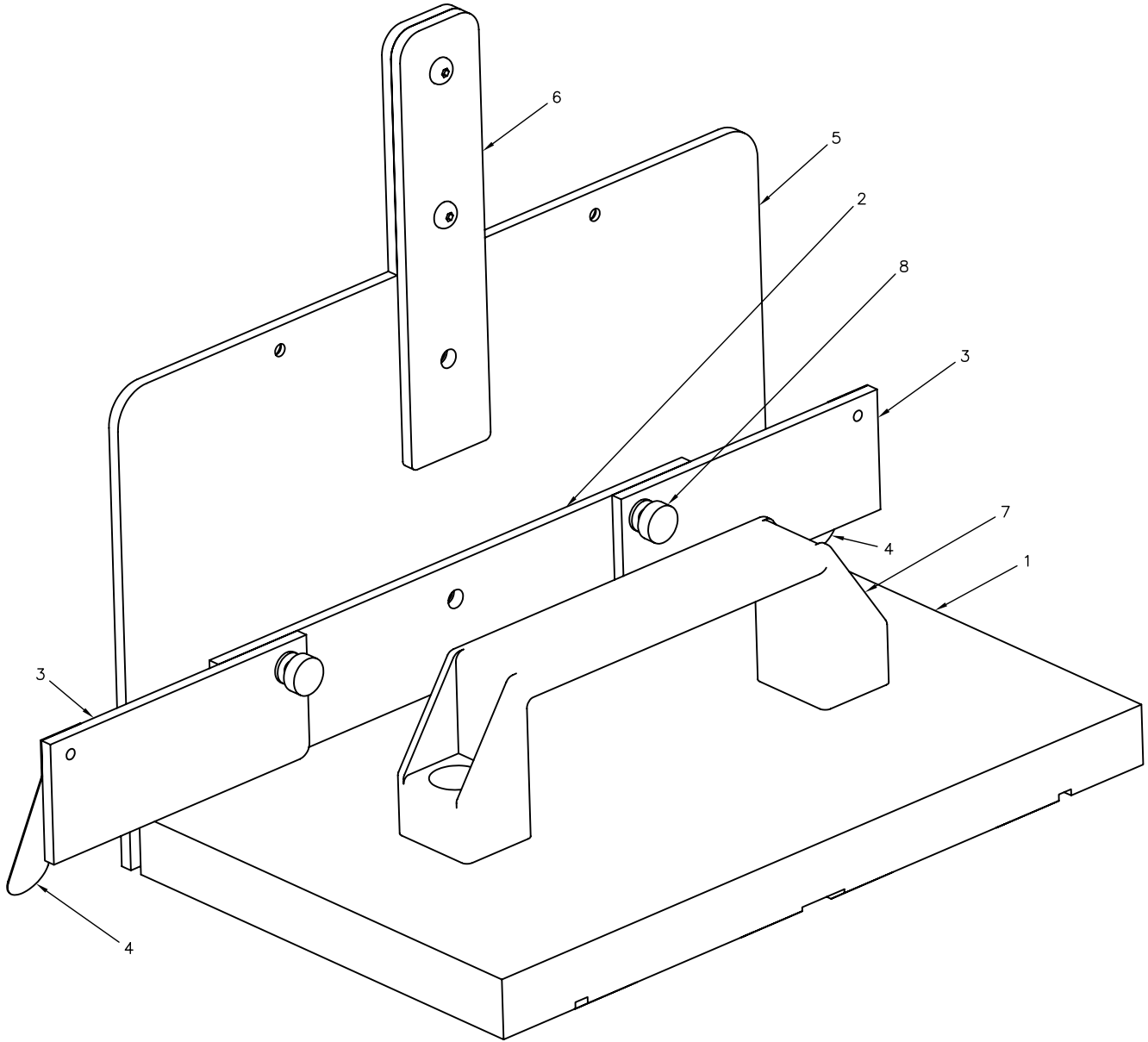


Item	PDI P/N	Qty	Description	Notes
1	N/A	1	HD 7000 A W/O THE FOLLOWING LIST	
2	000051	2	MOUNT,LIFT SHOCK BOTTOM	
3	000083	1	PLATE,LEFT PIVOT (REGULAR)	
4	000084	1	PLATE,RIGHT PIVOT	
5	000117	1	PLATE,GUIDE RAF-11/7000 A	
6	000119	1	COVER , FRONT 7000A , RAF-11R	
7	000223	1	PLATE,COVER GRAPHICAL	
8	000288	1	ASSY,DIE LOCKING HANDLE RIGHT	
9	000315	1	ASSY,LEFT DIE LOCKING HANDLE	
10	000329	4	CUSHION,FOOT	
11	000496	2	ASSY,LOWER FRONT W/INSERT	
12	000497	2	ASSY, REAR COVER PANEL	
13	000500	1	ASSY, 7000 A BASE	
14	001157	4	SCREW,LOCK SAFETY FASTENER	
15	001158	4	KEEPER, SAFETY FASTENER	
16	001159	4	RECEPTICAL,SAFETY FASTENER	
17	040670	4	BRACKET,SAFETY SCREW	

RAF-11 Preliminary PARTS BOOK

Page 29

- Assembly, Weight Plate -

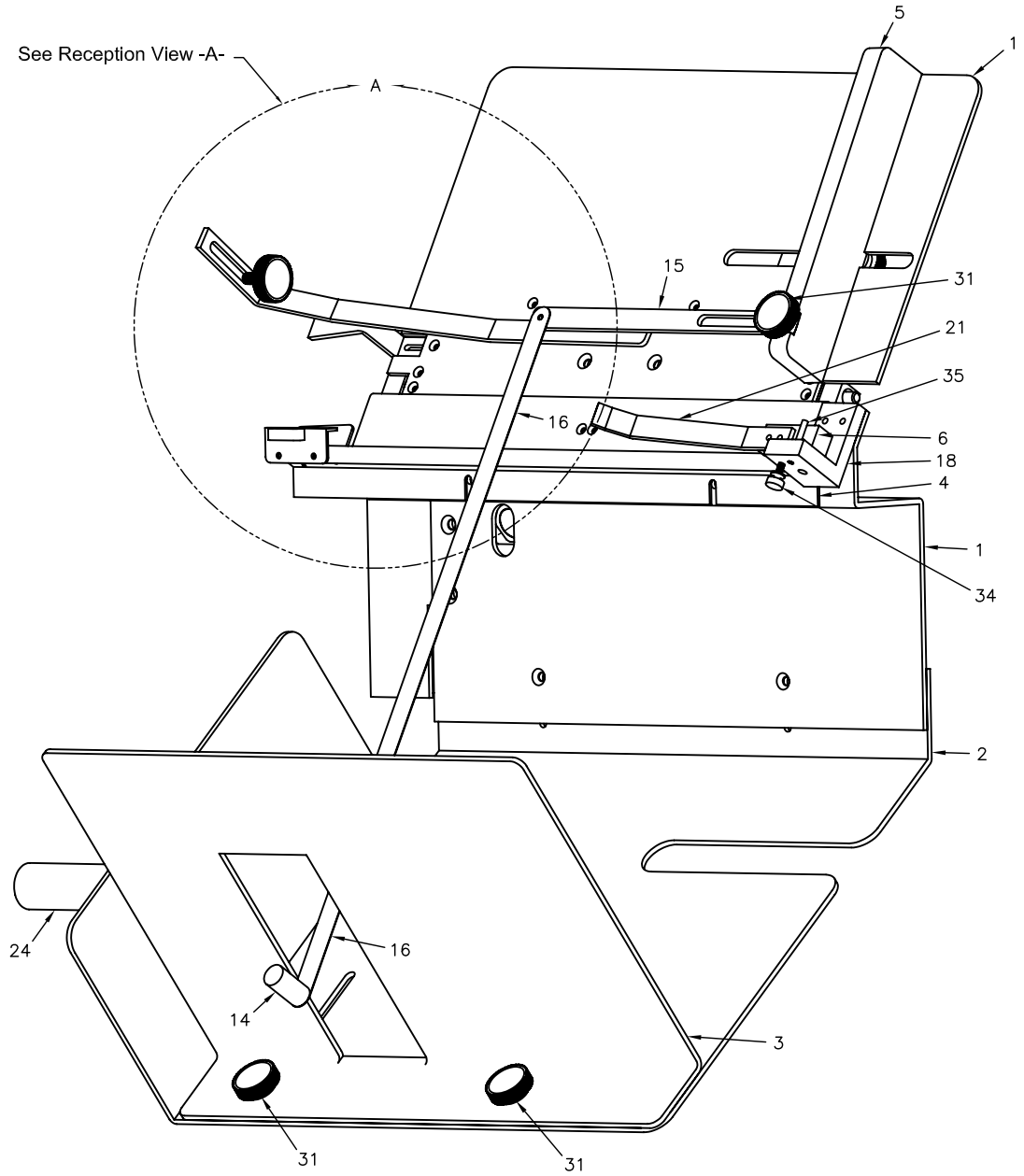


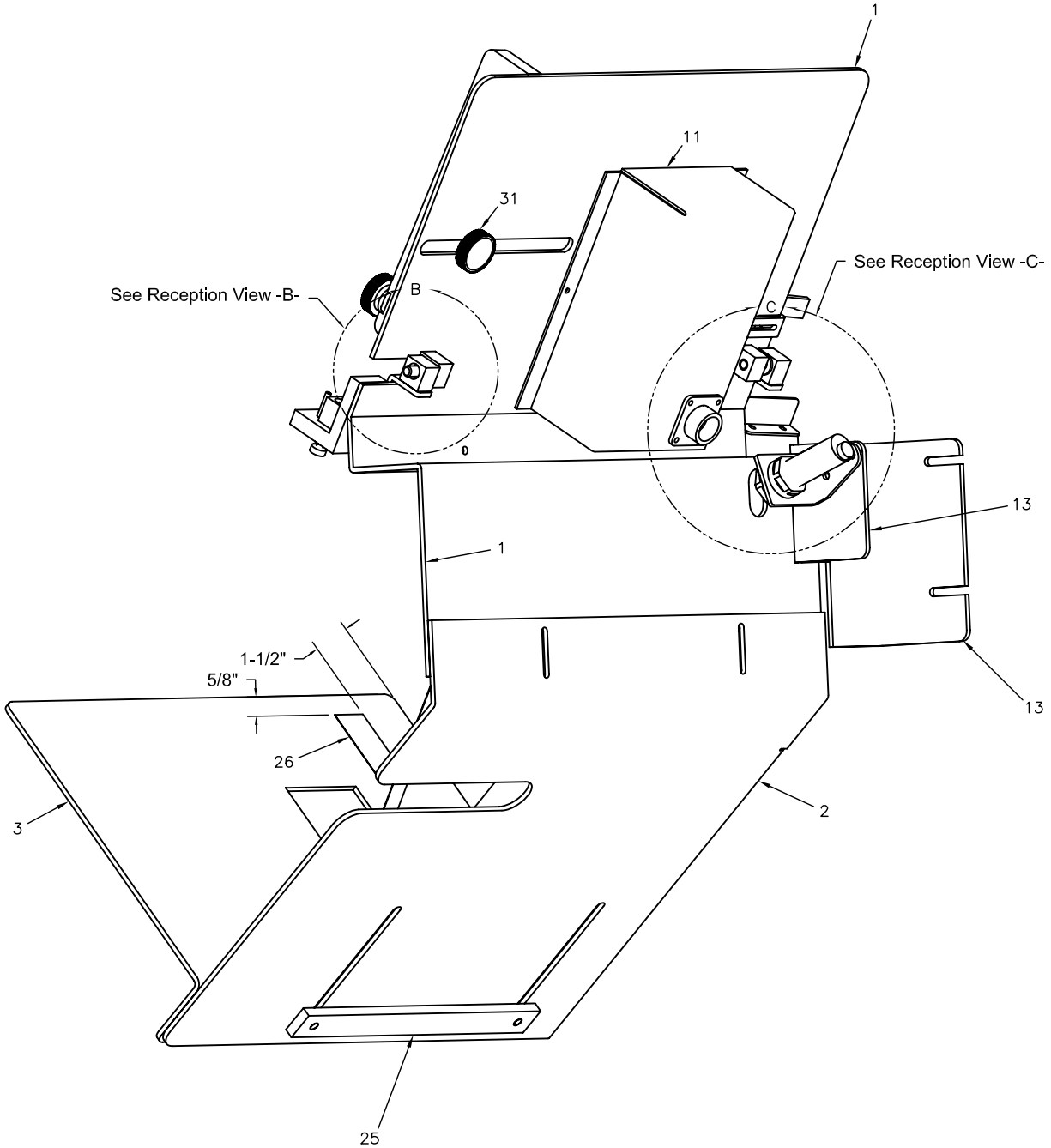
Item	PDI P/N	Qty	Description	Notes
1	000042	1	PLATE,WEIGHT	Ass'd w/ 000297
2	000136	1	PLATE,CURL ATTACHMENT	
3	000137	2	PLATE,CURL ATTACHMENT WING	
4	000138	2	SPRING,CURL ATTACHMENT	
5	000297	1	PLATE,PAPER PUSHER WEIGHT	Ass'd W/ 000042
6	000478	1	ASSY,WEIGHT PLATE EXTENSION	
7	001287	1	HANDLE,PULL	
8	001412	2	SC.THUMB 6-32 X 1/4 BRASS	
9	000330	1	WEIGHT,WEIGHT PLATE ATTACHMENT	Not Shown

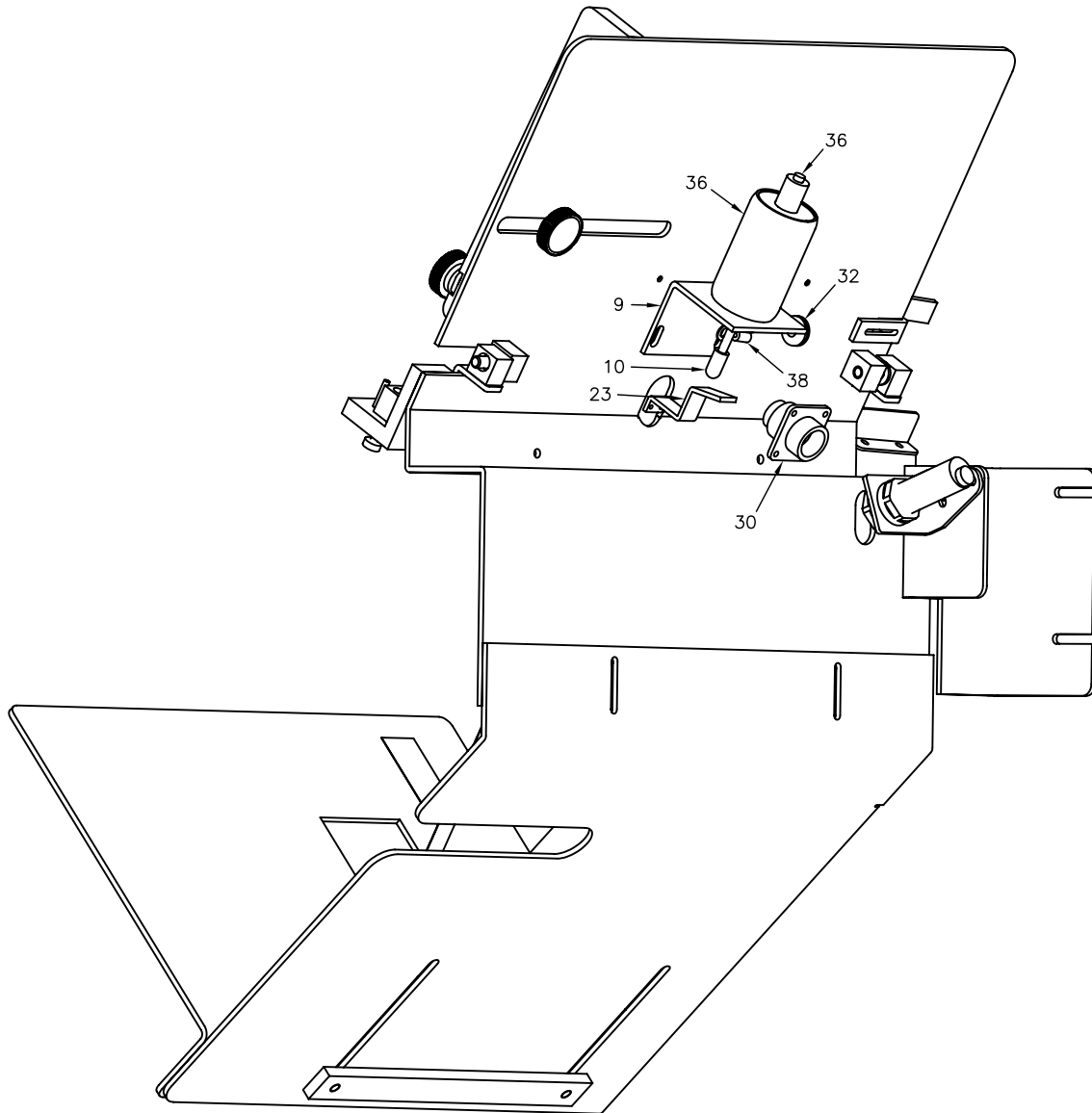
RAF-11 Preliminary PARTS BOOK

Page 30

- Assembly, Reception -





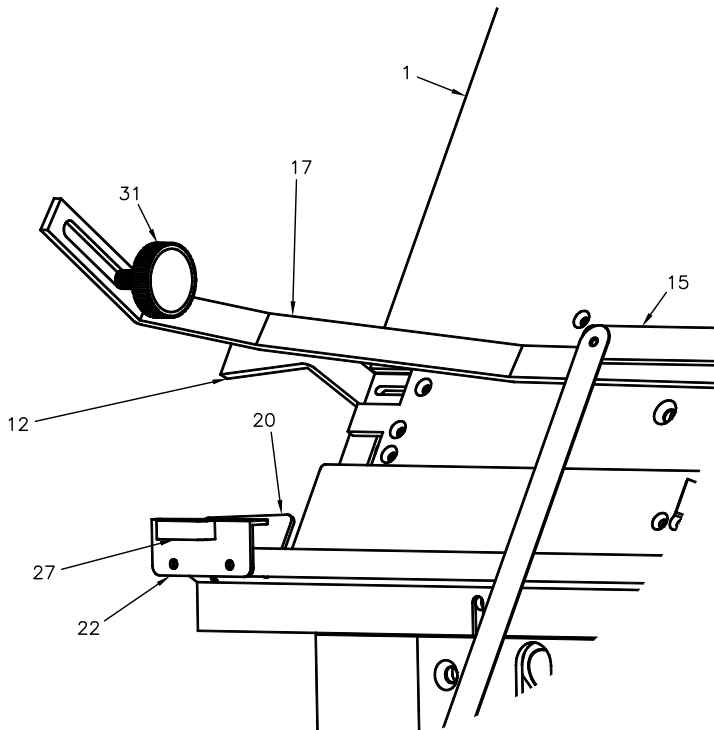


Shown With Solenoid Cover Removed

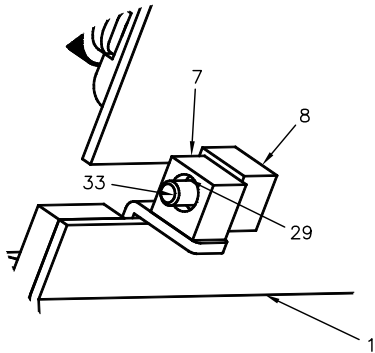
RAF-11 Preliminary PARTS BOOK

Page 33

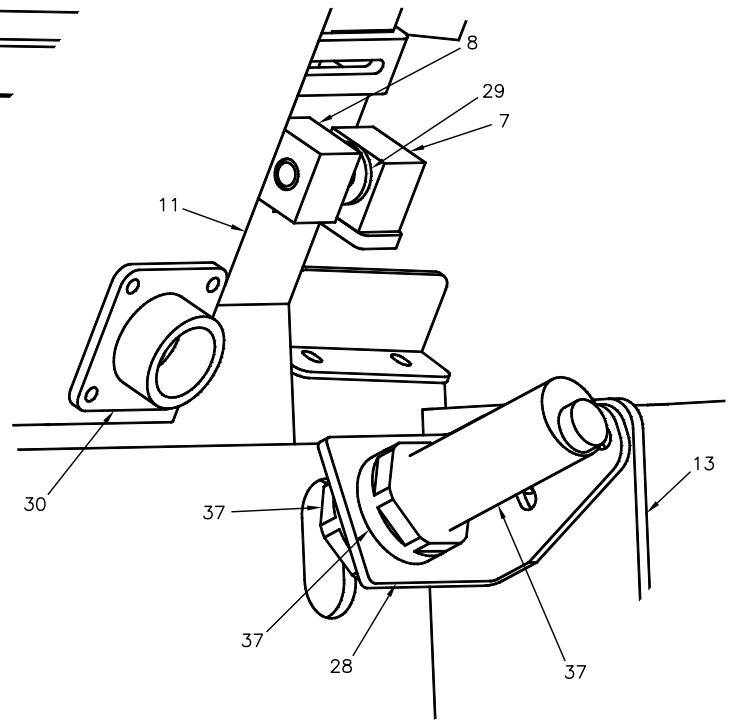
- Assembly, Reception -



DETAIL A
SCALE 1:1.66667



DETAIL B
SCALE 1:1.25



DETAIL C
SCALE 1:1

RAF-11 Preliminary PARTS BOOK

Page 34

- Assembly, Reception -
Index

<u>Item</u>	<u>Qty</u>	<u>Part Number</u>	<u>Name</u>	<u>Notes</u>
1	1	000095	PANEL,BACK RECEPTION	
2	1	000096	TRAY,RECEPTION	
3	1	000097	GUIDE,MOVEABLE RECEPTION	
4	1	000101	SHELF,PAPER RECEPTION	
5	1	000105	STOP,PAPER RECEPTION	
6	1	000141	PLATE,PUSHER RECEPTION	
7	2	000107	BLOCK,PUSHER PLATE PIVOT	
8	2	000108	BLOCK,PUSHER PLATE PIN	Assembled W/001400
9	1	000110	BRACKET,SOLENOID RECEPTION	
10	1	000111	CAP,SOLENOID PUSHER PLATE	
11	1	000113	COVER,SOLENOID RECEPTION	
12	1	000115	STOP,LEFT PAPER RECEPTION	
13	1	000126	BRACKET,RECEPTION	
14	1	000129	WEIGHT,RECEPTION SPRING	
15	1	000130	ARM,RECEPTION SPRING	
16	1	000131	SPRING,RECEPTION	
17	1	000139	GUIDE,LONG RECEPTION	
18	1	000140	MOUNT,GATE ARM	
19	1	000141	BLOCK,GATE PIVOT	
20	1	000142	GUIDE,STRAIGHT SHELF	
21	1	000143	ARM,GATE	
22	1	000144	GUIDE,ANGLED SHELF	
23	1	000215	LEVER,PUSHER PLATE RECEPTION	
24	1	000267	BRACKET,RECEPTION TRAY ANCHOR	
25	1	000268	PLATE,RECEPTION NUT	
26	1	000340	REFLECTOR,RECEPTION STRIP	
27	1	001002	MAGNET, PAPER SHELF/DIE HANDLE	
28	1	001032	MOUNT,SENSOR	
29	2	001293	BUSHING,FL 1/4ID X 3/8OD X3/8L	
30	1	001303	MOUNT,FLANGE	
31	5	001317	KNOB, STUDED 1/4-20 X 1/2	
32	1	001394	GROMMET,1/4ID1/16G11/32GDIA	
33	2	001400	PIN,DOWEL 1/4 X 1.1/4"	Assembled W/000108
34	1	001413	SC,THUMB 8-32 X 5/8 BRASS	
35	1	001490	PIN,ROLL 1/8 X 1"	
36	1	007045	SOLENOID,GUARDIAN	
37	1	007051	SENSOR,BANNER PAPER JAM	
38	1	007280	TERMINAL 3/16 RING 14-16 GA.	