

H. Wilson WT16PE Purple 16" High Tuffy Utility A/V Cart (2-Shelf Putty Legs)

Instruction Manual



Provided by

MyBinding.com
When Image Matters.

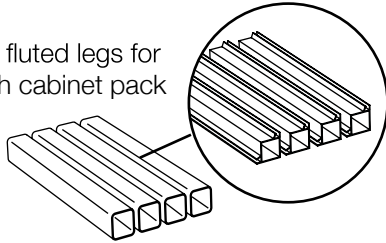
Call Us at 1-800-944-4573

Parts List

Tools Required

- Rubber Mallet

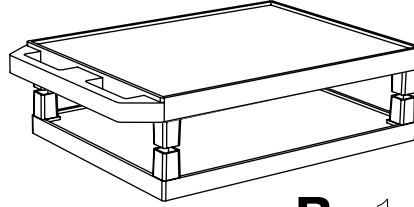
Optional fluted legs for units with cabinet pack



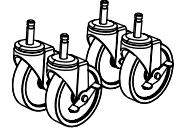
NOTICE:
Leg lengths may vary by model

F x4

A x1

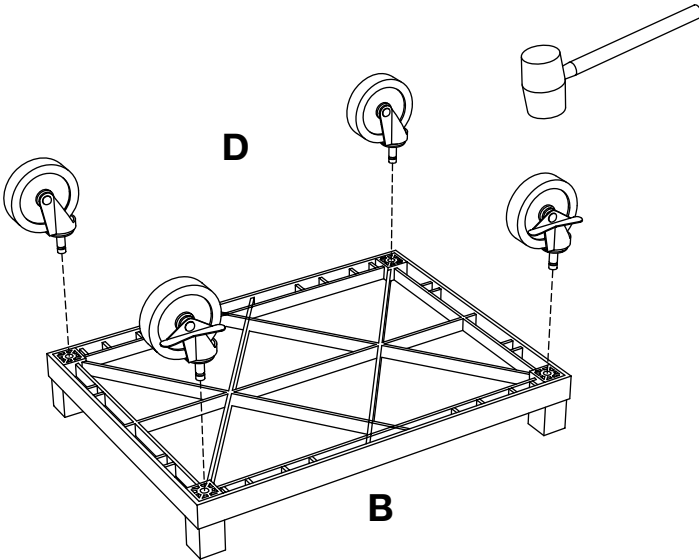


B x1



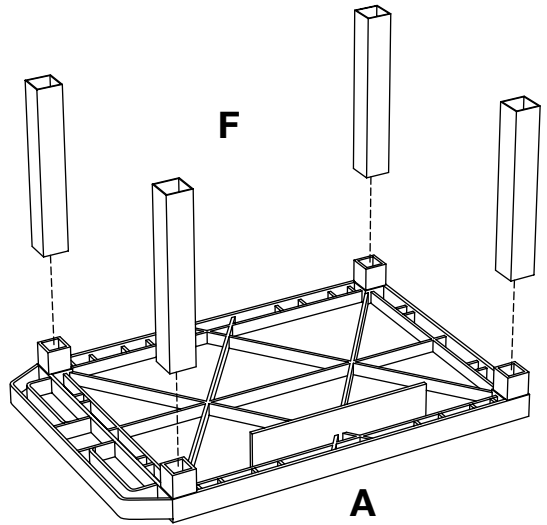
D x4

1

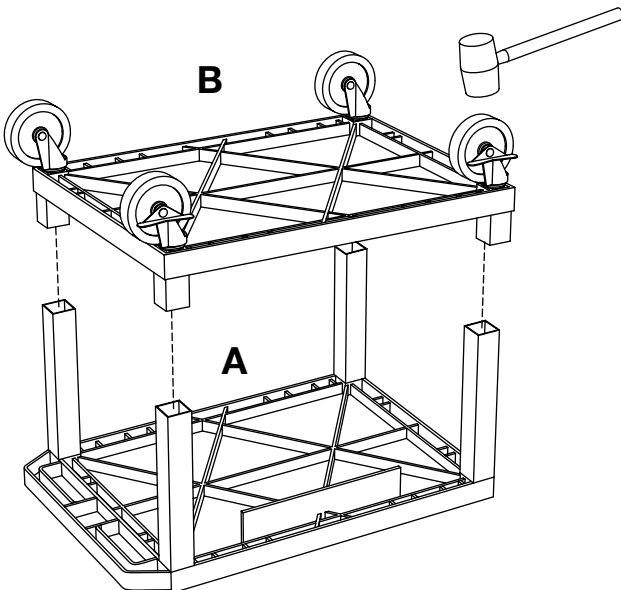


2

Install optional cabinet pack assembly after step 1



3



4

