

Luxor EC22HD-G 32" x 18"
High Capacity Gray 2-Flat
Shelf Utility Cart

Instruction Manual



Provided by

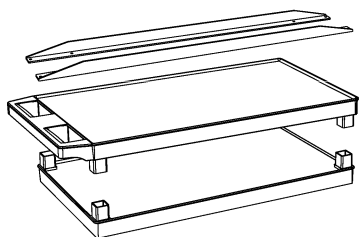
MyBinding.com
When Image Matters.

Call Us at 1-800-944-4573

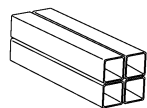
2 Flat Shelf 18 x 32 Cart Instructions

w/ Cross Bars & HD Casters

Parts List

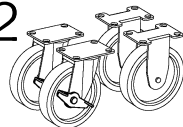


G x2
A x1
B x1



F x4

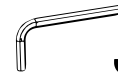
D x2



E x2

Tools Required

- Rubber Mallet
- Phillips Screwdriver



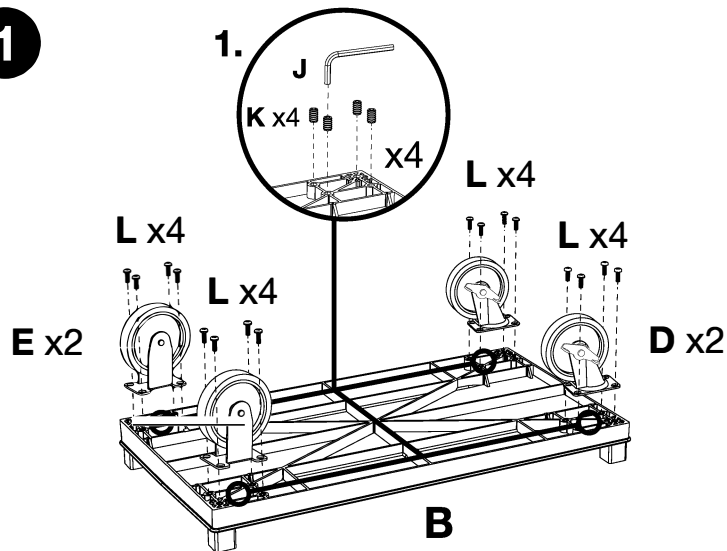
J x1

K x16

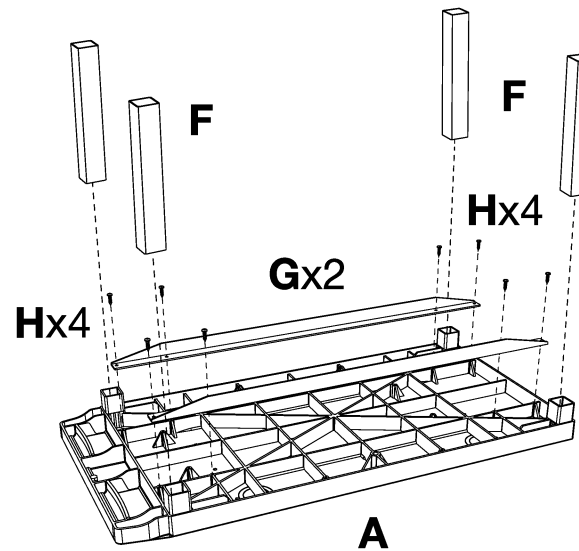
L x16

H x8

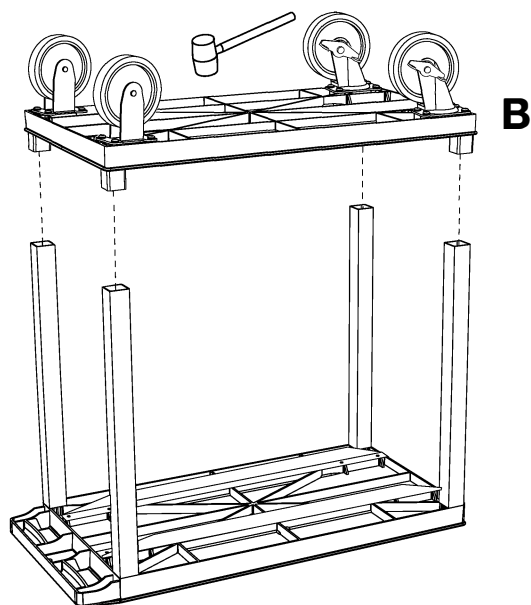
1



2



3



4

