

Luxor 48" x 36" Mobile Magnetic Double-Sided Ghost Grid Whiteboard

Instruction Manual



Provided by

MyBinding.com
When Image Matters.

Call Us at 1-800-944-4573

LUXOR

INNOVATIVE WORKSPACE PRODUCT SOLUTIONS

Mobile Board Instructions

Note: After assembly, peel the protective film from both sides of the board.

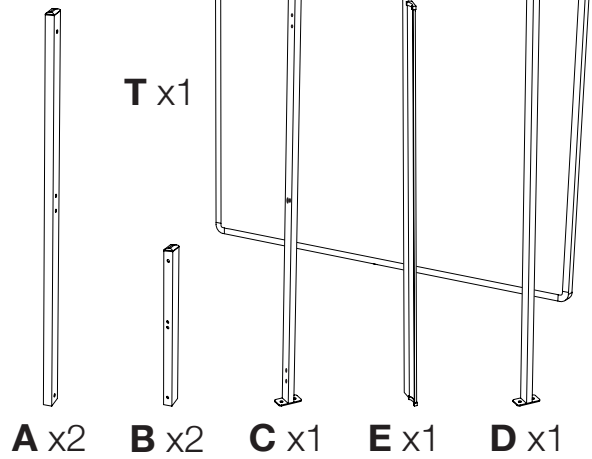
Cleaning Tip: A mild dish washing liquid can be used with a soft cloth to clean the writing surface.

sales@mybinding.com 1-800-944-4573



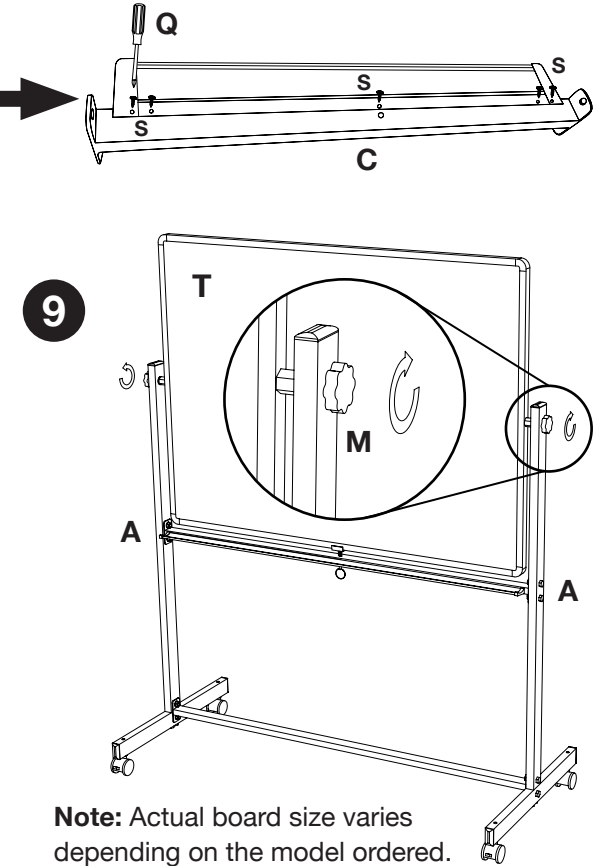
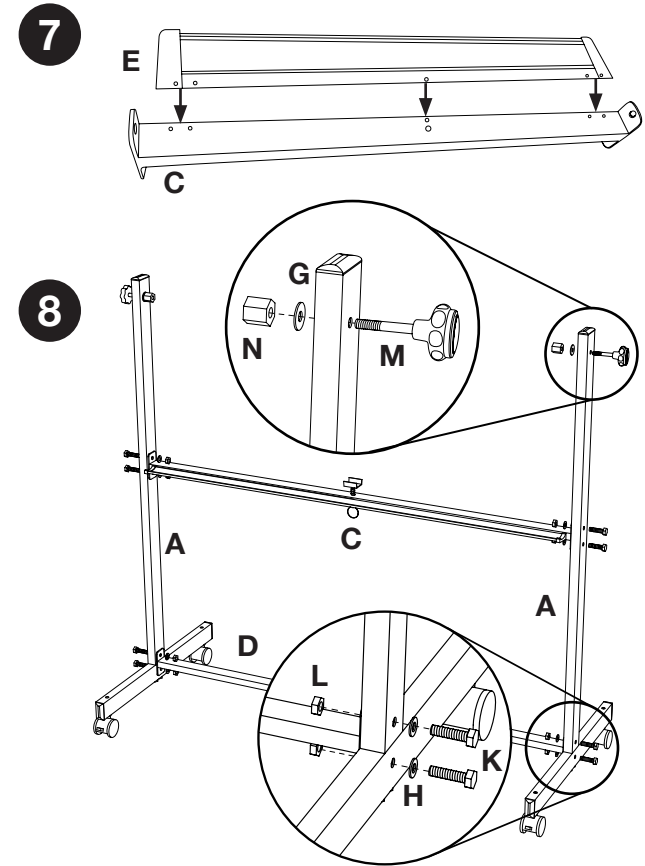
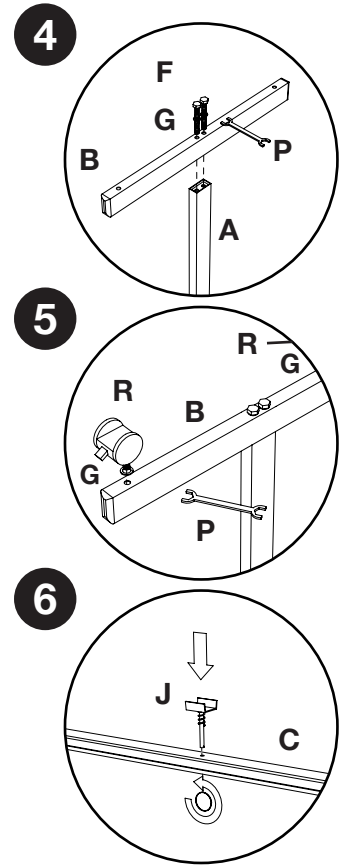
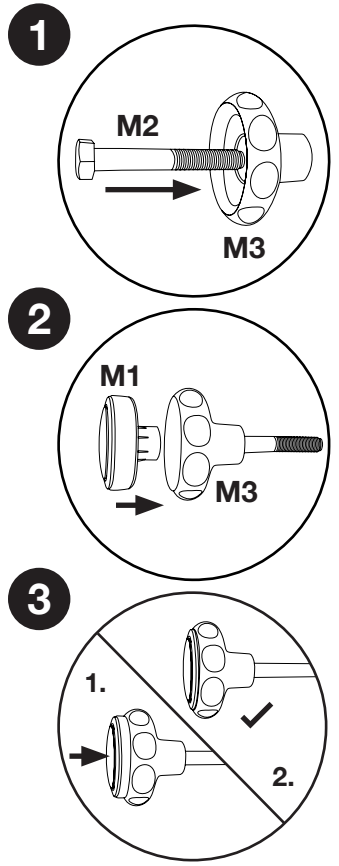
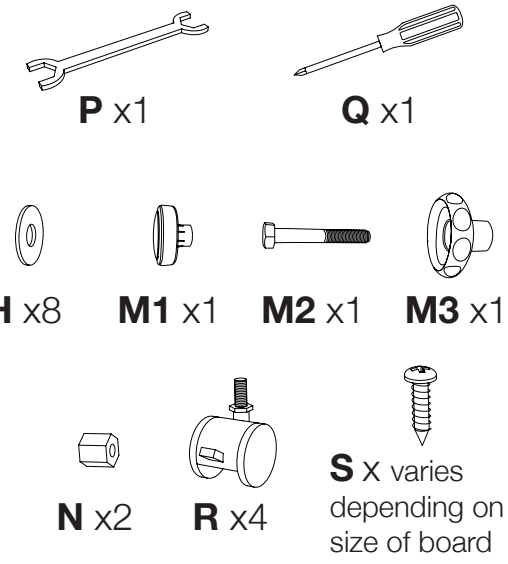
Assistance Required

Parts List



Tools Required

- Additional Wrench



Note: Actual board size varies depending on the model ordered.