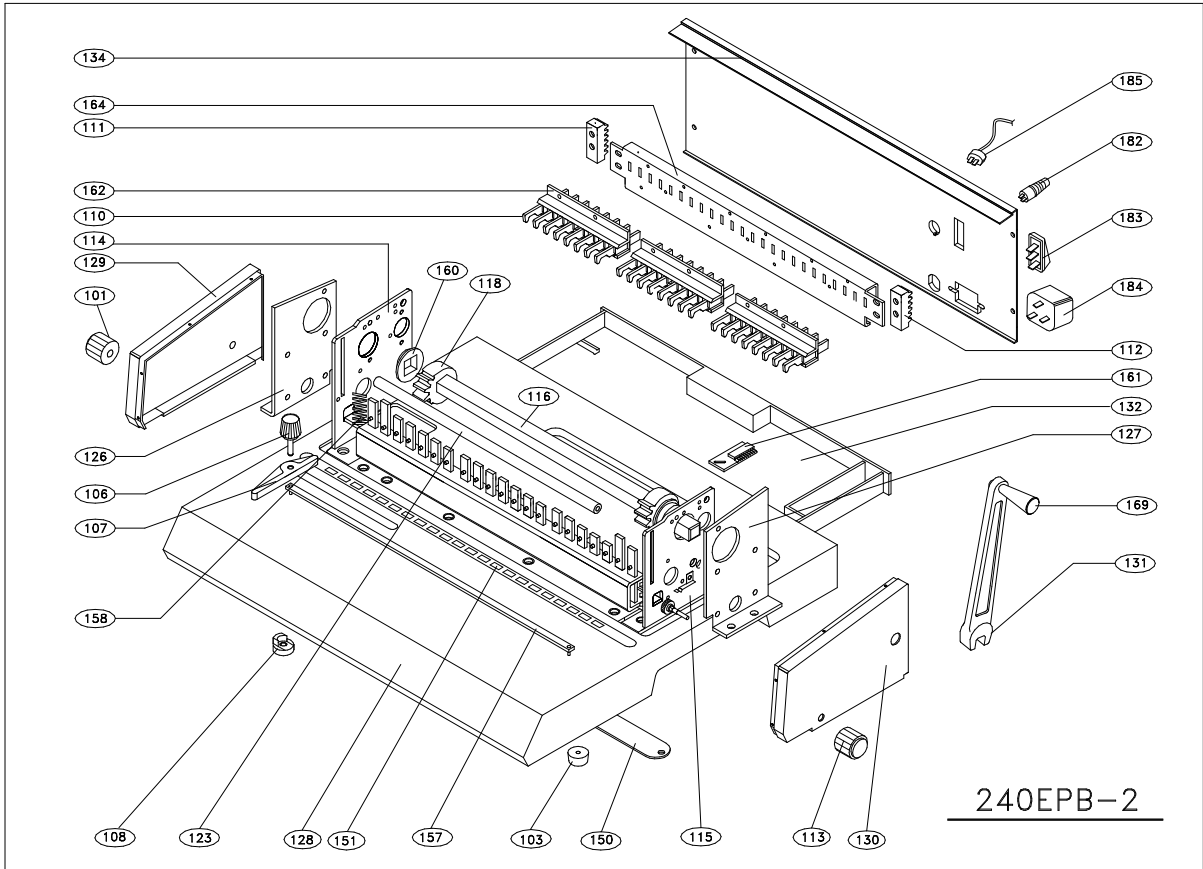


240EPB-1

240EPB COMBO MENU

DRAWING NO	PART NO	DESCRIPTION	DRAWING NO	PART NO	DESCRIPTION
101	B-3	KNDB <LEFT>	123	ED-32A	SUPPORT POLE
102	B-5	WEDGE	124	ED-35	BEARING
103	B-9	RUBBER FOOT	125	ED-36	P.C.B. SUPPORT RACK
104	C-2	MARK PLATE	126	ED-37A	SUPPORT BEARING BRACKET <LEFT>
106	CB-3	PAPER STOP SCREW	127	ED-38A	SUPPORT BEARING BRACKET <RIGHT>
107	CB-4	PAPER STOP GUIDE	128	GA-1	BASE BOARD
108	CB-5	PAPER STOP NUT	129	GA-2	COVER PLATE<LEFT>
109	NH-D4A	GUIDE PLATE	130	GA-3	COVER PLATE<RIGHT>
110	NH-D8B	SET PIN	131	GA-4	HANDLE
111	NH-D15	RACK <LEFT>	132	GB-1	DRAWER
112	NH-D15	RACK <RIGHT>	133	GD-1	FORNT COVER
113	EB-2	KNDB <RIGHT>	134	GA-2A	BACK COVER
114	NH-D10A	BEARING BRACKET COMPLET <L>	135	GD-3	SUPPORT PLATE<RIGHT>
115	NH-D11A	BEARING BRACKET COMPLET <R>	137	GD-6-1	SUB AXLE
116	ED-12A	AXLE	138	GD-6-2	TRANSMISSION PLATE
117	ED-13A	CRANK	139	GD-6-3	TRANSMISSION PLATE
118	FD-13	TOOTH SEGMENT	140	GD-6-4	SUPPORT PLATE<LEFT>
119	ED-25	MOTOR FIXED PLATE<REAR>	141	GD-6-5	BUSH
120	ED-25-1	MOTOR FIXED PLATE<FRONT>	142	GD-7	SMALL AXLE
121	ED-29A	SWITCH PLATE	143	GD-8	GEAR A
122	ED-31	TRANSMISSION PLATE	144	GD-9	GEAR B



240EPB-2

240EPB COMBO MENU

DRAWING NO	PART NO	DESCRIPTION	DRAWING NO	PART NO	DESCRIPTION
145	GD-11	ADJUSTMENT RACK	172	EP-1-1A	CONDENSER
146	GD-12	ADJUSTMENT AXLE	173	EP-2A	OPTICAL S.W
148	GD-14	SPRING	174	EP-15	P.C.B
149	GD-25	FRICTION PLATE	175	EP-15-1	COIL
150	GD-42	DRAWER GUIDE	177	3LM-B4-1	GEAR
151	HC-1	ALIGNMENT SCALE	178	D-12S	SWITCH PLATE
152	HD-3	COVER PLATE	181	NH-KA	KNIFE SET
153	TC-16	SLIDE	182	EP-16	FUSE SET
154	MD-4	CARRIER	183	EP-17	POWER SW
155	MD-7	RAKE	184	EP-18	SOCKET
156	MD-8	PLATE	185	EP-19	POWER CORD
157	PD-10	PAPER STOP PAIL COMPLET			
158	D-35A	SPRING			
159	FD-32	W TYPE SPRING			
160	FD-38	BUSH			
161	NH-B1	ADJUSTMENT PLATE			
162	NH-B2A	SET-PIN GUIDER			
163	NH-D3	STOP DUIDE AXLE			
164	NH-D6B-1	BRACKET			
169	GB-11	PLASTIC HOLDER			
171	EP-1	MOTOR			