

# ***Akiles CoilMac ER 4:1 Pitch Coil Binding Machine***

Parts List



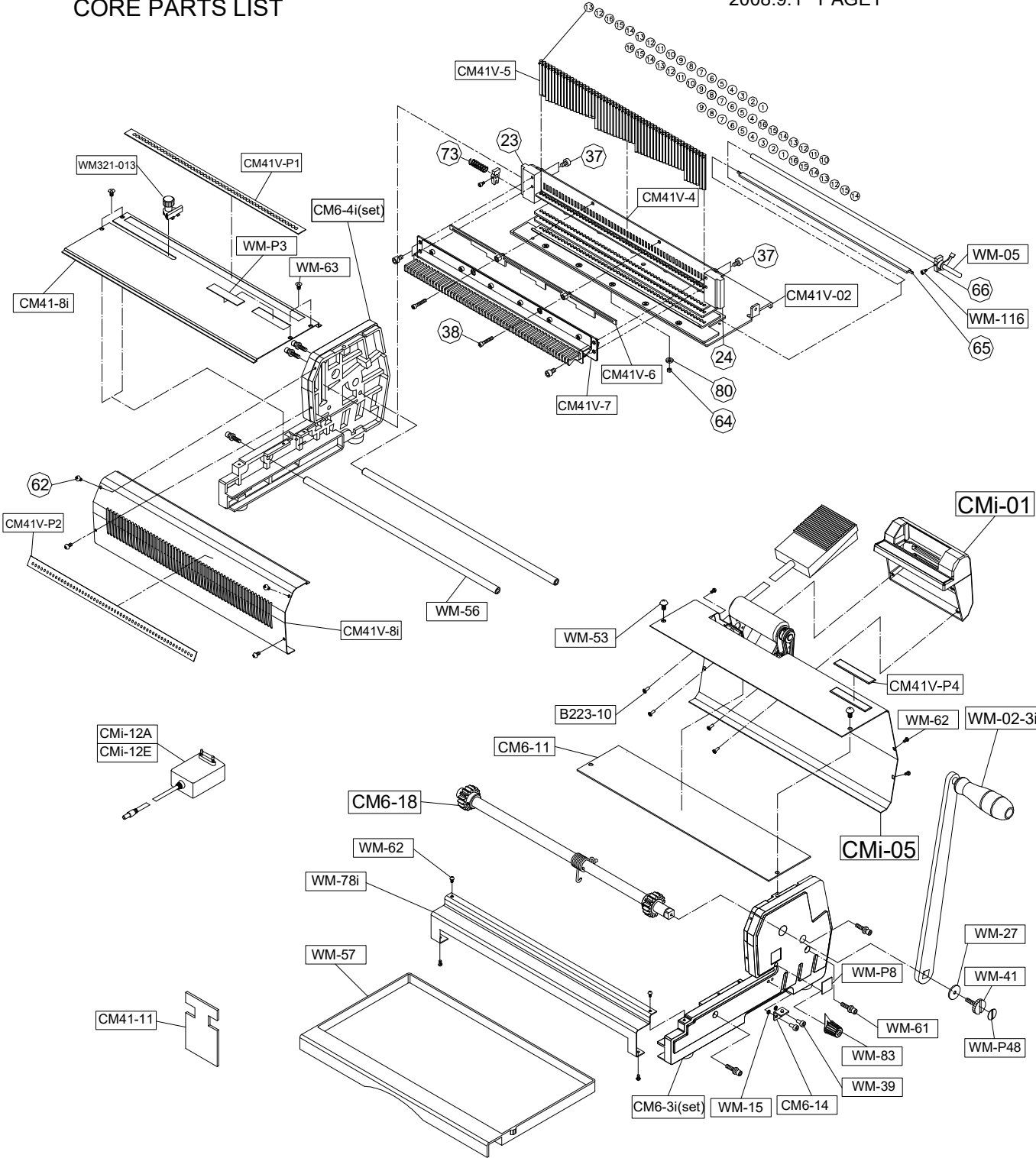
*Provided by*

**MyBinding.com**

*When Image Matters.*

Call Us at 1-800-944-4573

COIL MAC 41-ER+  
CORE PARTS LIST



**CORE PARTS SETS FOR COILMAC 41-ER+**

<b>(Part No.)</b>	<b>(Description)</b>	<b>(Q'ty)</b>
CM41V-02(Set)	CM Set of Blade 41V	1Set
CM6-3i(Set)	CMi Side Plate Right	1Set
CM6-4i(Set)	CMi Side Plate Left	1Set
WM-02-3i	Set of punch Handle CMi	1Set
CM6-18	Set of Punch Shaft CM	1Set
WM-05	Set of Depth Control Shaft	1Set
WM321-013	Set of side margin adjustment	1Set
CMi-01	CMi Set of Top	1Set

**STICKER FOR COILMAC 41-ER+**

<b>(Part No.)</b>	<b>(Description)</b>	<b>(Q'ty)</b>
CM41V-P4	CoilMac-ER41+ Sticker	1 Pcs
CM41V-P1	Set-pin Ruler Sticker 41V	1 Pcs
CM41V-P2	Punch Ruler Sticker 41V	1 Pcs
WM-P3	Logo Sticker	1 Pcs
WM-P8	Depth Margin Sticker	1 Pcs

**CORE PARTS FOR COILMAC 41-ER+**

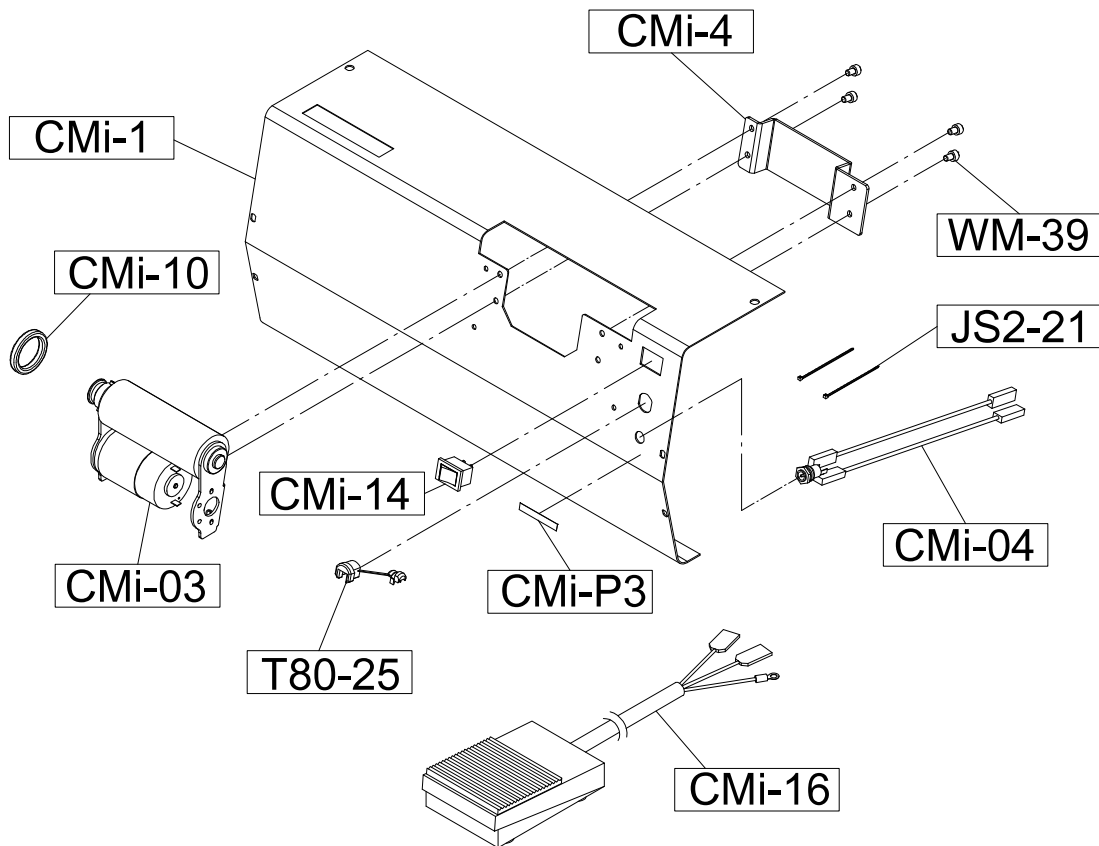
<b>(Part No.)</b>	<b>(Description)</b>	<b>(Q'ty)</b>
WM-116	Hexagon Bolt M3x4	2 Pcs
CM41V-4	Rear Plate for Set Pin 41V	1 Pcs
CM41V-5-1	Oval Blade 49.5mm Length	2 Pcs
CM41V-5-2	Oval Blade 50.5mm Length	2 Pcs
CM41V-5-3	Oval Blade 51.5mm Length	2 Pcs
CM41V-5-4	Oval Blade 52.5mm Length	3 Pcs
CM41V-5-5	Oval Blade 53.5mm Length	3 Pcs
CM41V-5-6	Oval Blade 54.5mm Length	3 Pcs
CM41V-5-7	Oval Blade 55.5mm Length	3 Pcs
CM41V-5-8	Oval Blade 56.5mm Length	3 Pcs
CM41V-5-9	Oval Blade 57.5mm Length	3 Pcs
CM41V-5-10	Oval Blade 58.5mm Length	3 Pcs
CM41V-5-11	Oval Blade 59.5mm Length	3 Pcs
CM41V-5-12	Oval Blade 60.5mm Length	5 Pcs
CM41V-5-13	Oval Blade 61.5mm Length	5 Pcs
CM41V-5-14	Oval Blade 62.5mm Length	5 Pcs
CM41V-5-15	Oval Blade 63.5mm Length	5 Pcs
CM41V-5-16	Oval Blade 64.5mm Length	4 Pcs
CM41V-7	Set of Set-Pins 41V	1 Set
CM41V-6	Oval Blade Falling Preventive Plate 41V	1 Pcs
CM41V-8i	Front Cover Plate 41V	1 Pcs
CM6-11	CM Rear Cover Washer Plate	1 Pcs
CM6-14	Extension Punch Guide	1 Pcs
CM41-8i	CMi Side Guide Plate	1 Pcs
WM-23	Left Gear Set	1 Pcs
WM-24	Right Gear Set	1 Pcs
WM-27	Washer For Handle	1 Pcs
WM-37	Hexagon Bolt M5x8	8 Pcs
WM-38	Hexagon Bolt M4x20	2 Pcs
WM-39	Hexagon Bolt M4x6	2 Pcs
WM-41	Fastener For Handle	1 Pcs
WM-53	Cross Bolt	2 Pcs
WM-56	Frame Pole	2 Pcs
WM-57	Chip Tray	1 Pcs
WM-61	Hexagon Bolt For Side Plate	6 Pcs
WM-62	Cross Bolt M3x6	12Pcs

**CORE PARTS FOR COILMAC 41-ER+**

<b>(Part No.)</b>	<b>(Description)</b>	<b>(Q'ty)</b>
WM-63	Bolt For Side Guide Plate	4 Pcs
WM-64	Nut	1 Pcs
WM-65	Depth Margin Bar	1 Pcs
WM-66	Depth Margin Driver	2 Pcs
WM-73	Compression Spring	1 Pcs
WM-78i	Front Cover Plate CMi	1 Pcs
WM-80	φ 4 Washer	1 Pcs
WM-83	Depth Margin Control Knob	1 Pcs
CM41-11	Coil Diameter Selector	1 Pcs
B223-10	M3X8 Cross Bolt	4 Pcs
CMi-12A	115V Power Supply	1 Pcs
CMi-12E	230V Power Supply	1 Pcs

**CORE PARTS FOR COILMAC 41-ER+**

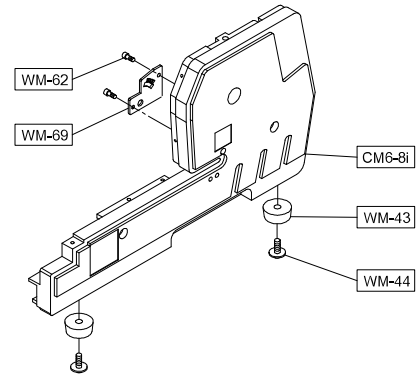
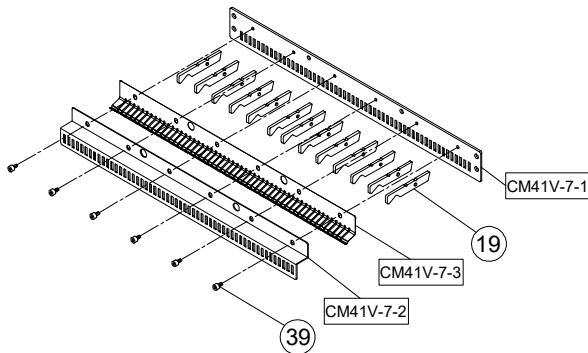
<b>(Part No.)</b>	<b>(Description)</b>	<b>(Q'ty)</b>
CMi-03	CMi Roller transmission set	1 Set
CMi-04	DC JACK Set	1 Set
CMi-1	CMi Rear Cover Plate	1 Pcs
CMi-4	CMi Bracket	1 Pcs
CMi-10	CMi Belt	1 Pcs
CMi-14	CMi Switch	1 Pcs
CMi-16	CMi Foot Pedal	1 Pcs
CMi-P3	CMi Power Sticker	1 Pcs
WM-39	Hexagon Bolt M4x6	4 Pcs
T80-25	Cable Bushing	1 Pcs
JS2-21	Cable Tie	2 Pcs



PARTS LIST FOR SET-PIN SET

CM41V-7 PARTS LIST FOR RIGHT-SIDE PLATE CM6-3i(Set)

(Part No)	Description	Q'ty	(Part No)	Description	Q'ty
CM41V-7-1	Middle Plate For set-pin 41V	1 Pcs	CM6-8i	Right Side Panel CMi	1 Pcs
CM41V-7-2	Front Plate For Set-Pin 41V	1 Pcs	WM-43	Rubber Feet	2 Pcs
CM41V-7-3	Sprung Plate 41V	1 Pcs	WM-44	Cross Bolt With Washer	2 Pcs
WM-19	Set-Pin	54 Pcs	WM-62	Hexagon Bolt M3x6	2 Pcs
WM-39	Hexagon Bolt M4x6	6Pcs	WM-69	Stopper	1 Pcs

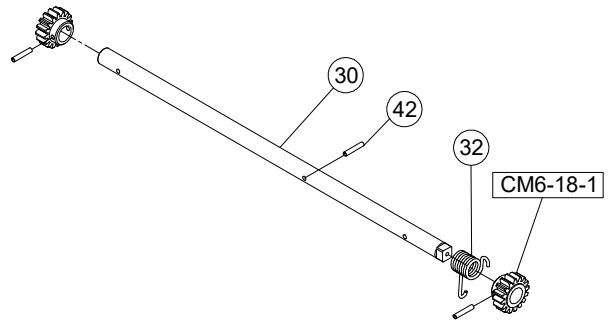
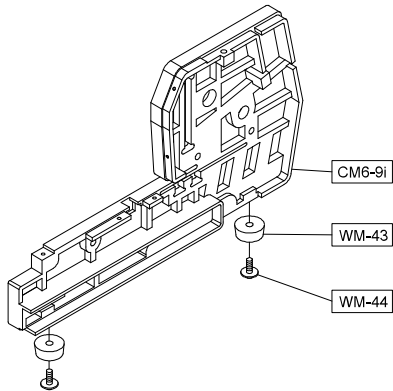


PARTS LIST FOR LEFT-SIDE PLATE

CM6-4i(Set)

PARTS LIST FOR PUNCH SHAFT SET CM6-18

(Part No)	Description	Q'ty	(Part No)	Description	Q'ty
CM6-9i	Left Side Panel CMi	1 Pcs	WM-30	Master Shaft (Front)	1 Pcs
WM - 43	Rubber Feet	2 Pcs	CM6-18-1	Gear	2 Pcs
WM - 44	Cross Bolt With Washer	2 Pcs	WM-32	Spring	1 Pcs
			WM-42	Pin For Spring Dia4x22	3 Pcs



PARTS LIST FOR PUNCH HANDLE WM-02-3i

(Part No)	Description	Q'ty
WM-26i	Master Bar CMi	1 Pcs
WM-28	Handle Grip	1 Pcs
WM-29	Handle Core	1 Pcs
WM-40	Hexagon Bolt	1 Pcs

