

Balt Platinum Flat Panel TV Cart - 27544

Instruction Manual

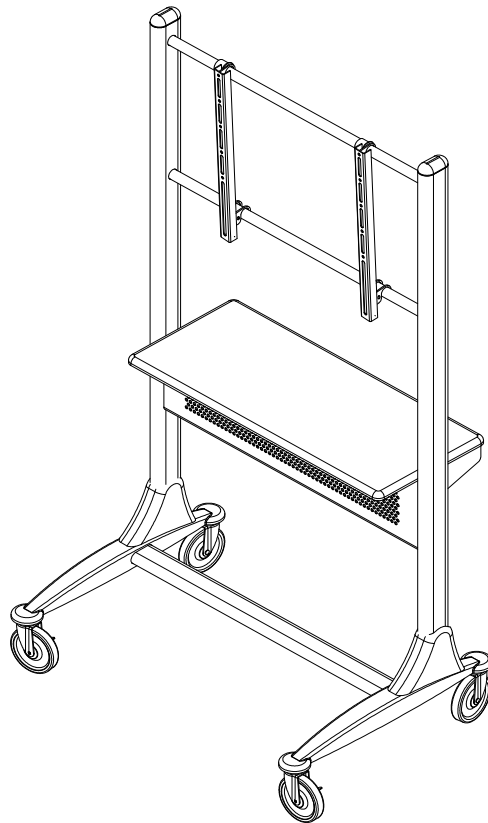


Provided by

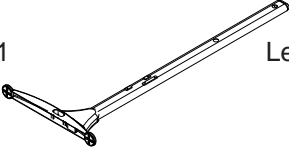
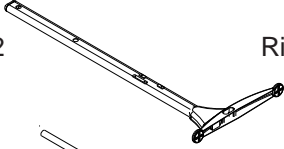


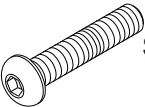


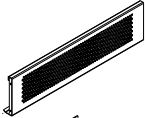

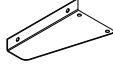

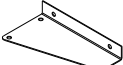
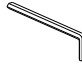
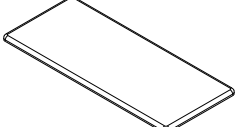



MyBinding.com
When Image Matters.

Call Us at 1-800-944-4573

Platinum Series Plasma/LCD Cart- No Tilt



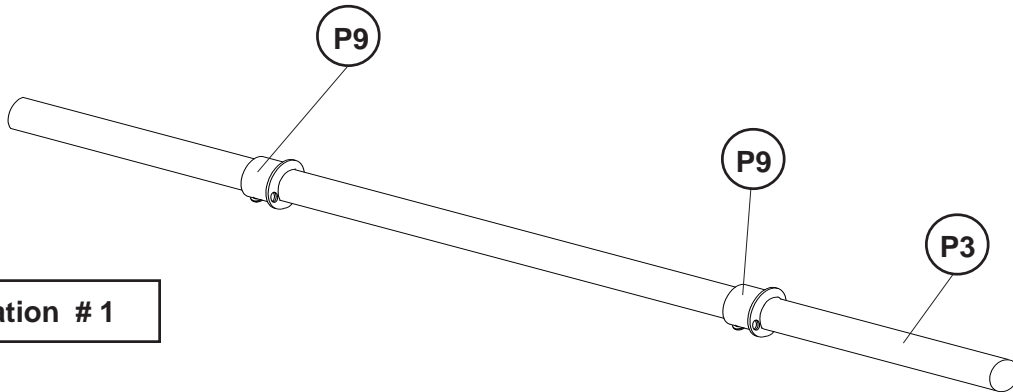
Assembly Instructions

Part	Drawing	Description	Qty	Part	Drawing	Description	Qty
P1		Left Leg	1 EA	Hardware List			
P2		Right Leg	1 EA	A		Screw M6X13mm	14 EA
P3		LCD Tube	2 EA	A1		Screw M8X40mm	4 EA
P4		Lower Cross Brace	1 EA	B		Screw M4X8mm	2 EA
P5		Stability Panel	1 EA	E		5" Locking Caster	2 EA
P6		Left Shelf Bracket	1 EA	F		5" Caster	2 EA
P7		Right Shelf Bracket	1 EA	G		Allen Wrench	1 EA
P8		Wood Shelf	1 EA	H		Caster Wrench	1 EA
P9		Collar	2 EA				
P10		TV Bracket	2 EA				

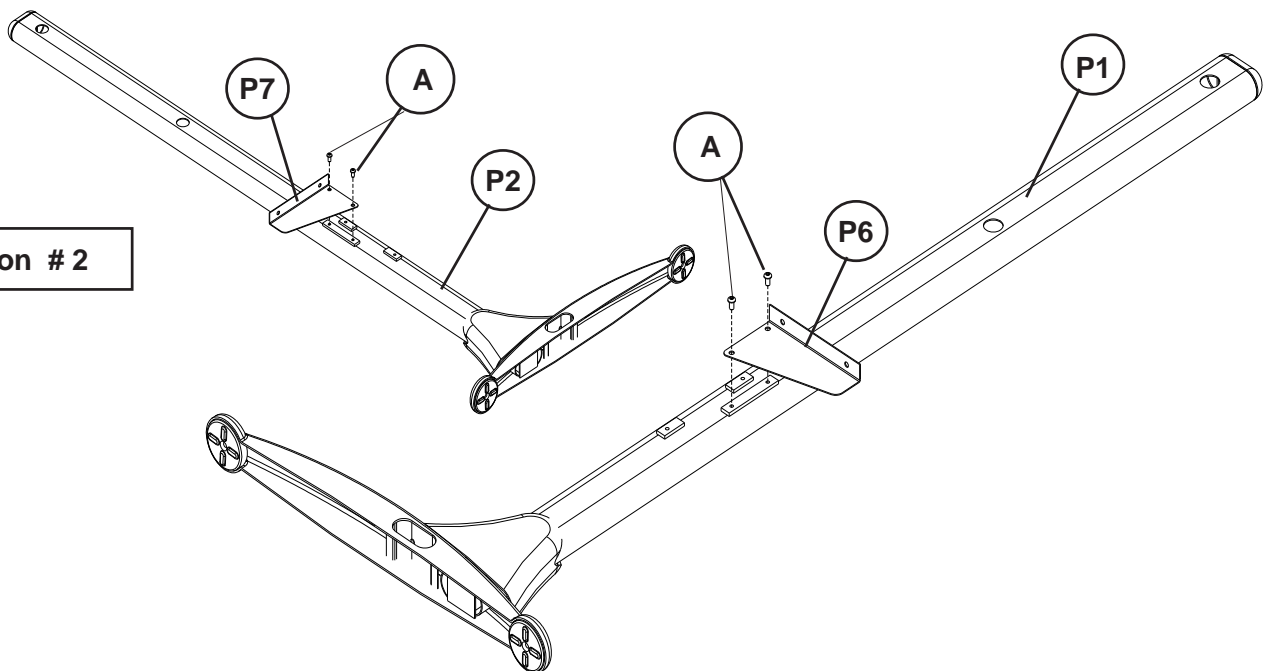
Assembly Diagram

READ THROUGH INSTRUCTIONS FROM BEGINNING TO END BEFORE STARTING TO ASSEMBLE UNIT.

- 1.) Identify and Separate all the Parts and Hardware.
- 2.) Slide two Collars (P9) onto one LCD Tube (P3) as shown in illustration # 1.

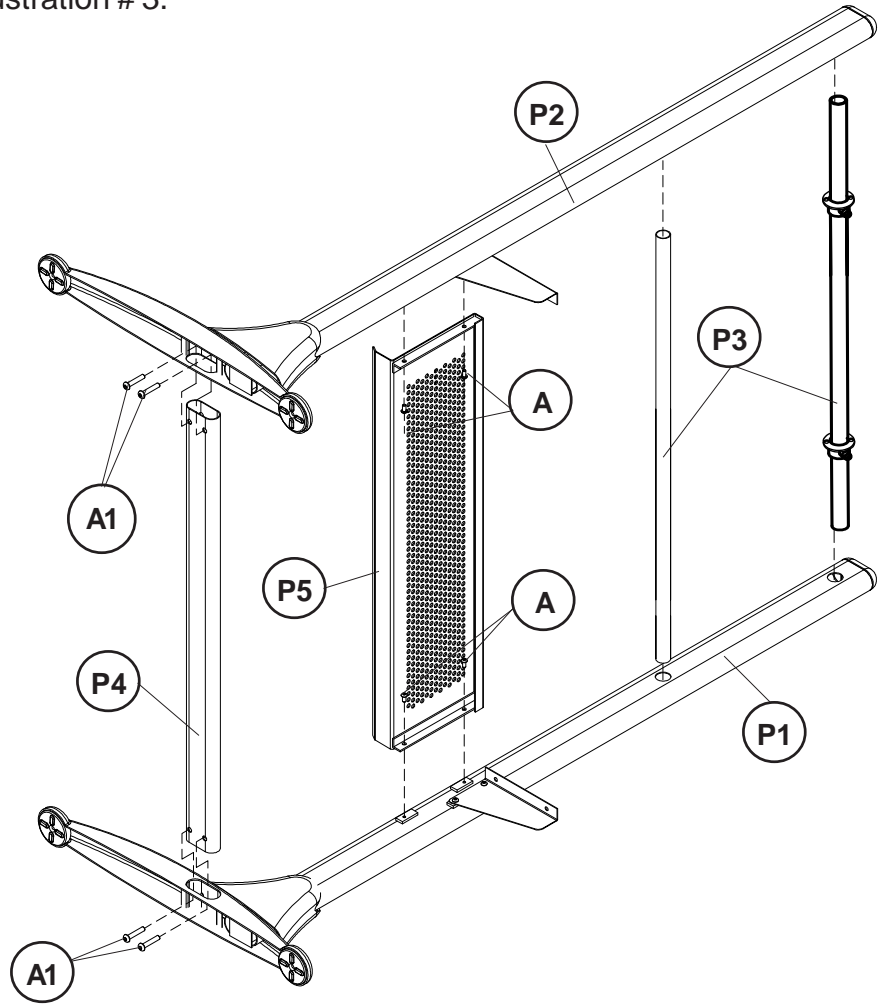


- 3.) Attach Left and Right Shelf Brackets (P6 & P7) to the Left and Right Legs (P1 & P2) using 4 screws (A) as shown in illustration # 2.



- 4.) Insert 2 LCD Tubes (P3) into the Left and Right Legs (P1 & P2) as shown in illustration # 3.

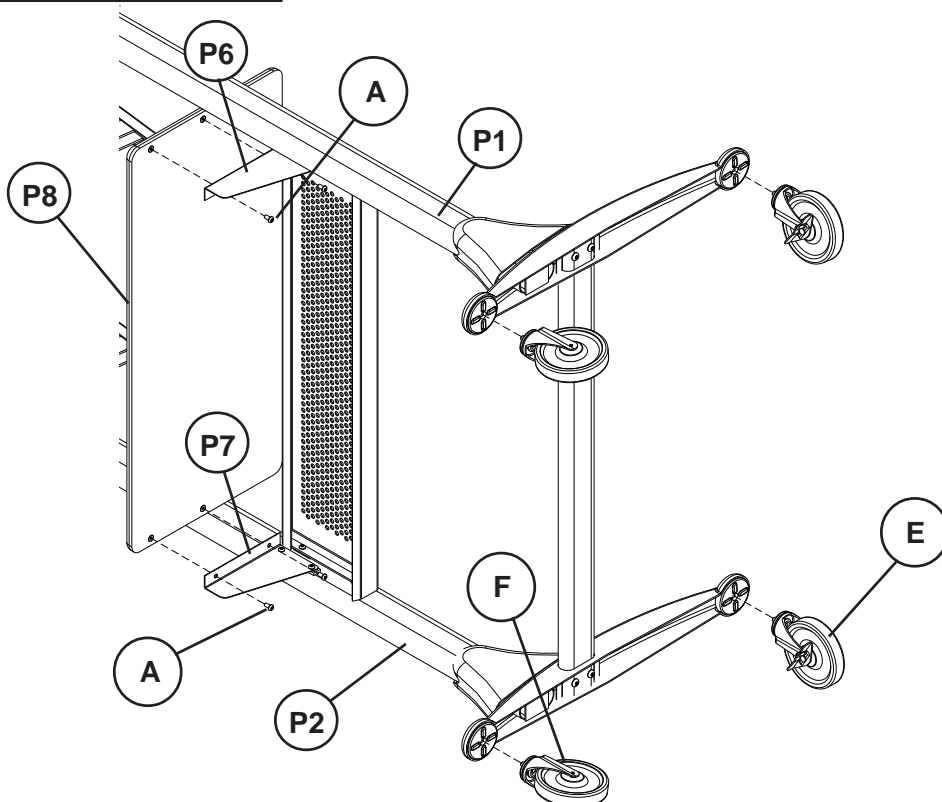
Illustration # 3



- 5.) Attach Left and Right Legs (P1 & P2) to the Lower Cross Brace (P4) using 4 screws (A1) as shown in illustration # 3.

- 6.) Attach Stability Panel (P5) to the Left and Right Legs (P1 & P2) using 4 screws (A) as shown in illustration # 3.

Illustration # 4



- 7.) Attach Left and Right Shelf Brackets (P-6 & P-7) to Wood Shelf (P-8) using 4 screws (A) as shown in illustration # 4. Do not tighten.

- 8.) Attach 2 Locking Casters (E) and 2 Casters (F) to the bottom of the Left Leg (P1) & Right Leg(P2) as shown in illustration # 4. Tighten Casters using Caster Wrench (H).

- 9.) Hook the two TV Brackets (P10) on the Top and Bottom LCD Tubes(P3) as shown in illustration #5. Connect each TV Bracket to the Collar (P9) on the top LCD Tube using two Screws (B).

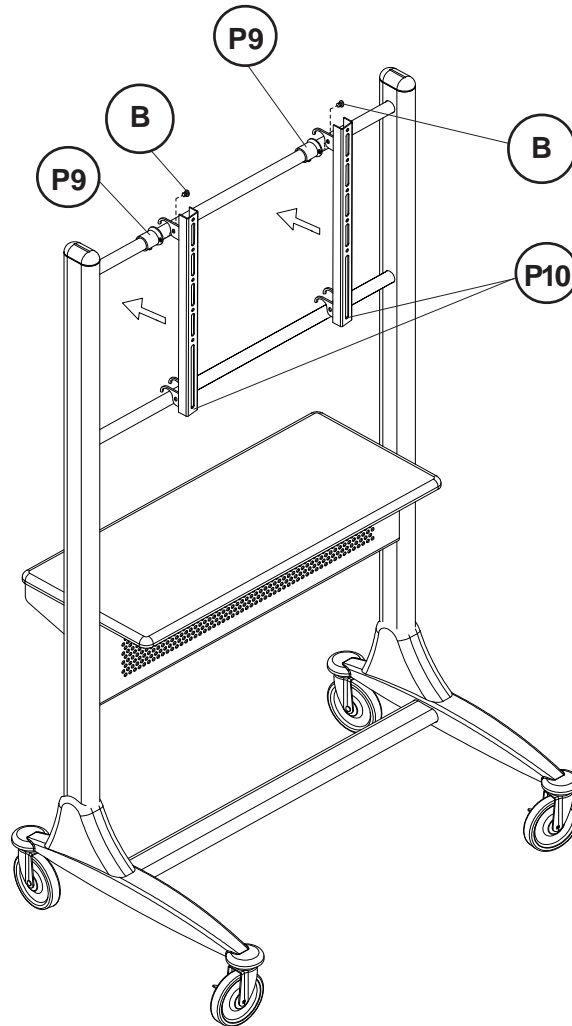
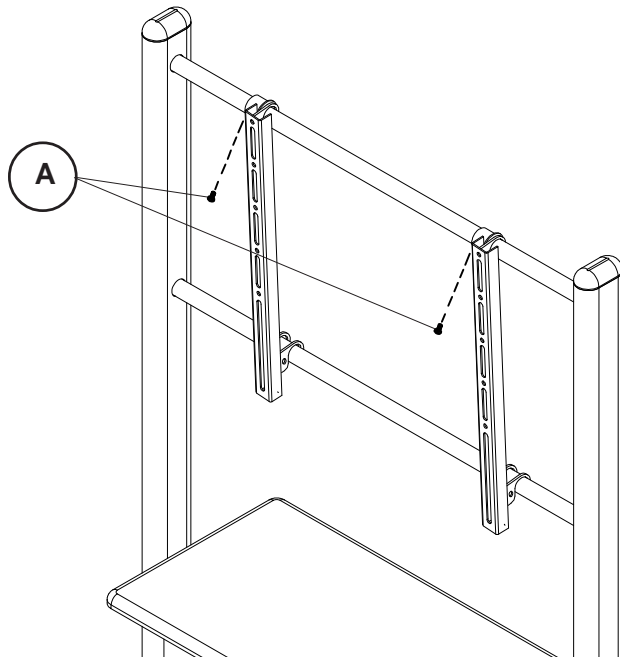


Illustration # 5



- 10.) Secure TV Brackets at desired width by tightening Screws(A) using Allen Wrtench (G) as shown in illustration #6

Illustration # 6