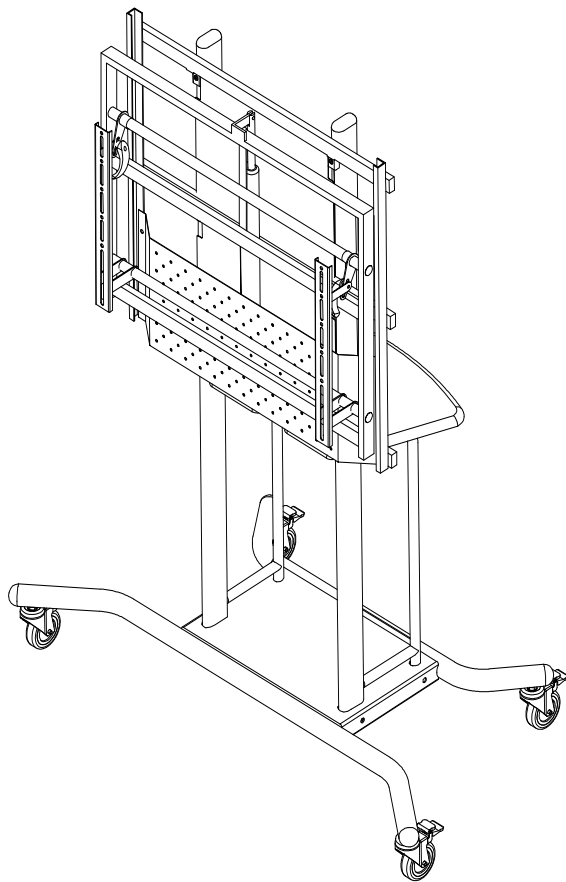
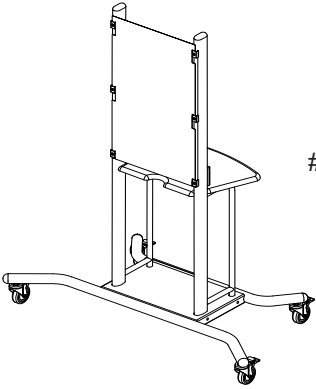
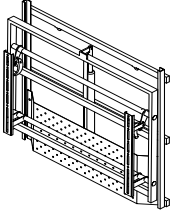


# 27675 iTeach Flat Panel Cart



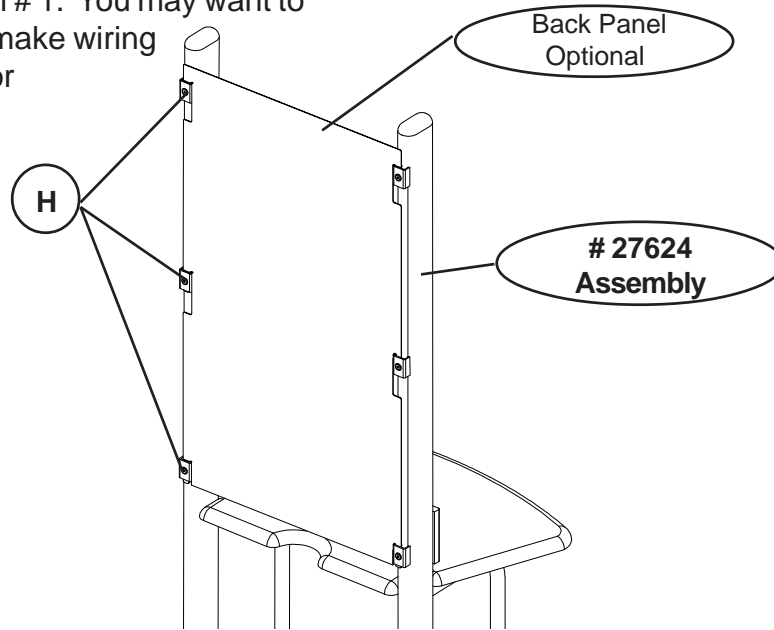
## Assembly Instructions

# iTeach Flat Panel Cart

Part	Drawing	Description	Qty	Part	Drawing	Description	Qty
P-1		# 27624	1 EA				
P-2		# 27678	1 EA				

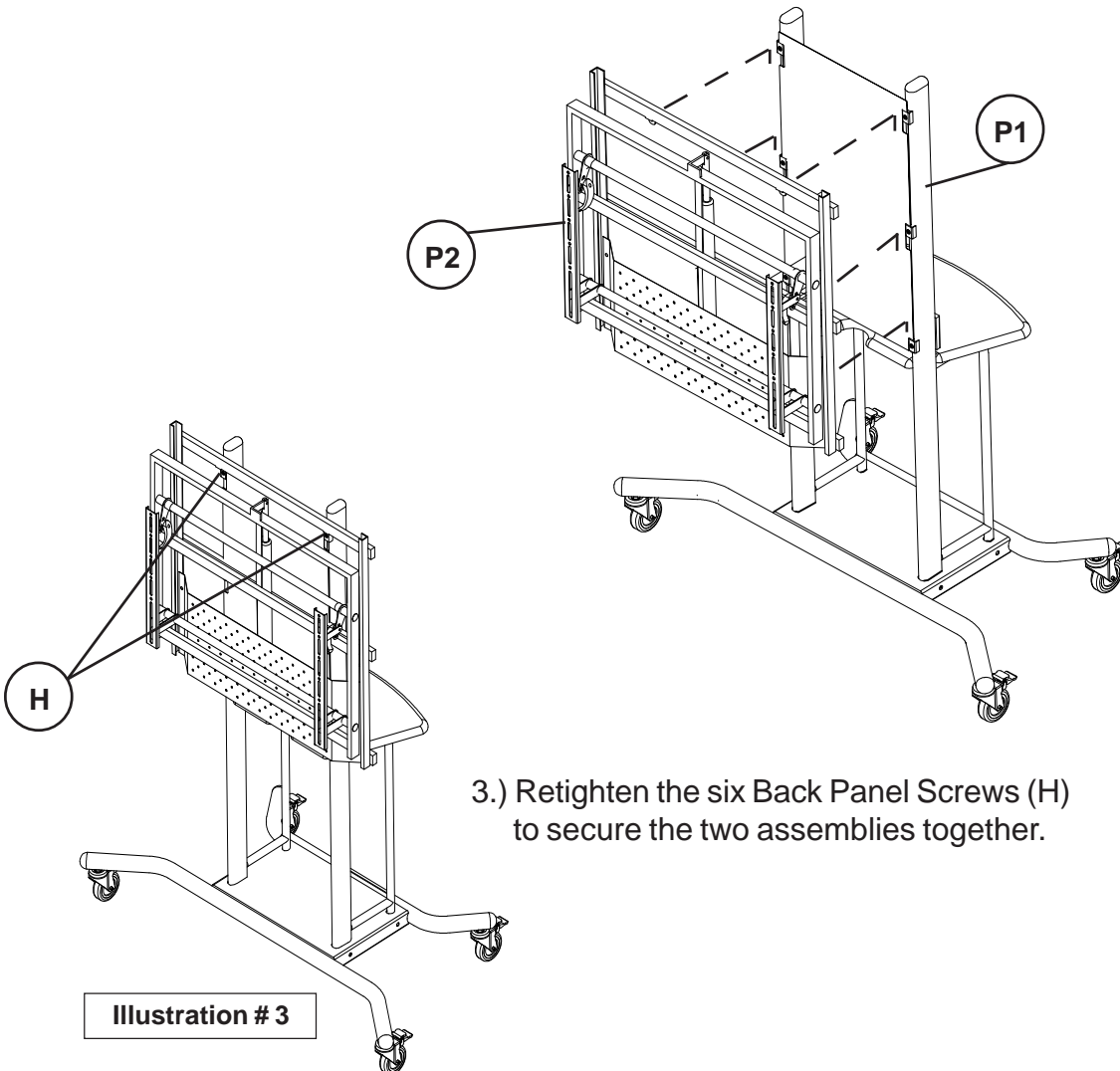
- 1.) Loosen the six Back Panel Screws (H) from Step #5 of the Elevation Mobile Stand (P1) assembly instructions. See Illustration # 1. You may want to remove the Back Panel to make wiring easier or leave it in place for wire security.

Illustration # 1



- 2.) Take the the Electric TV Wall Mount (P2) and hook the six mount tabs that are on the back frame into the six brackets on the Cart (P1). See Illustration # 2.

Illustration # 2



- 3.) Retighten the six Back Panel Screws (H) to secure the two assemblies together.

Illustration # 3