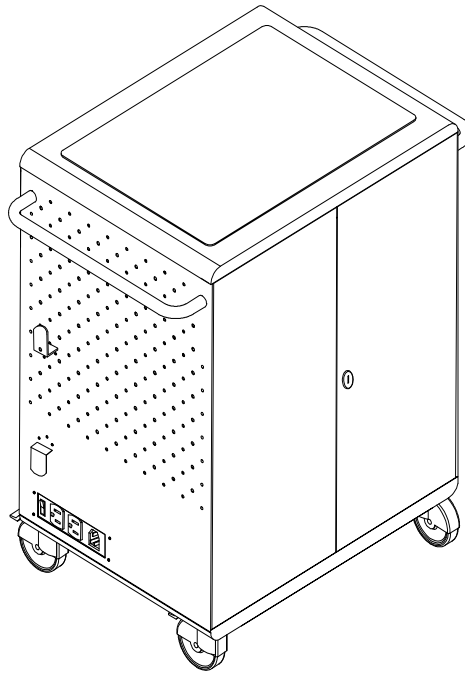


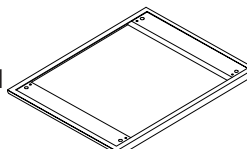
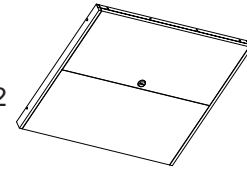

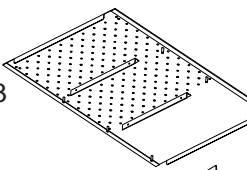

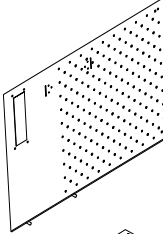
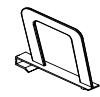
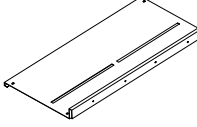



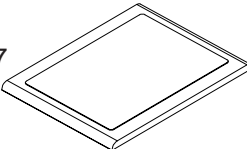

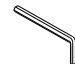
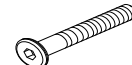
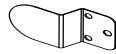


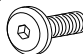
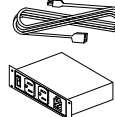
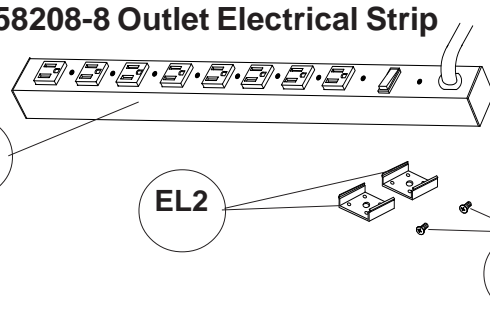
27698

A La Charging Cart



Assembly Instructions

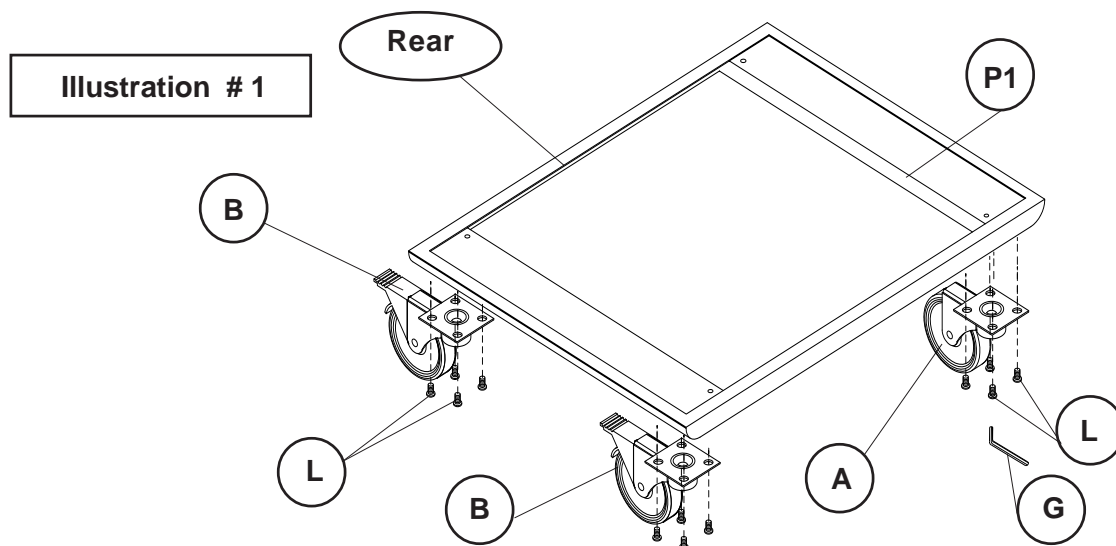
27698 A La Cart

Part Drawing	Description	Qty	Part Drawing	Description	Qty
P1	 Base	1 EA	Hardware List		
P2	 Door Assembly	2 EA	A	 Caster	2 EA
P3	 Right Side Panel	1 EA	B	 Locking Caster	2 EA
P4	 Left Side Panel	1 EA	C	 Tablet Divider	36 EA
P5	 Shelf	2 EA	D	 Divider Connector	36 EA
P6	 Handle	2 EA	E	 Screw Block	8 EA
P7	 Top	1 EA	F	 Screw 6*8mm	20 EA
			G	 Allen Wrench	1 EA
			H	 Screw 6*38mm	4 EA
			I	 Electrical Cord Clip	2 EA
			J	 Shelf Screw 4*8mm	8 EA
			K	 Clip Nut M4	18 EA
			L	 Caster Screw 6*13mm	16 EA
			M	 Timer & Cord	1 EA
			<p>(4) #58208-8 Outlet Electrical Strip</p> 		

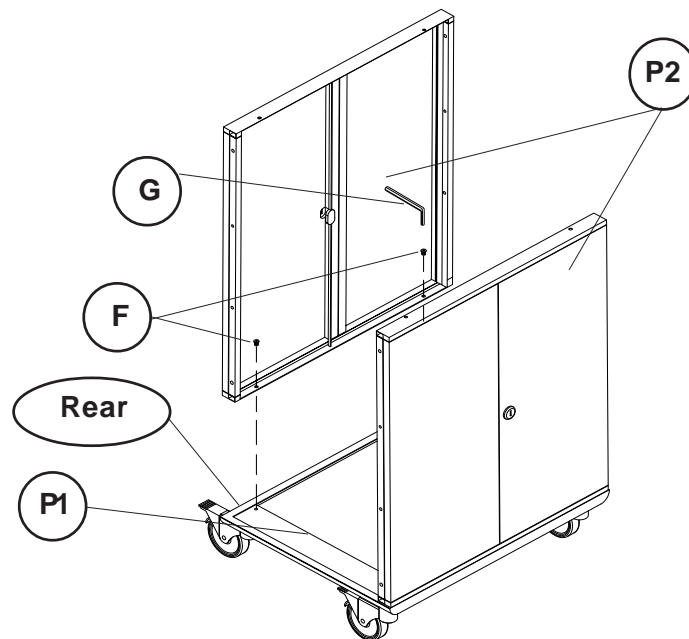
Assembly Diagram

READ THROUGH INSTRUCTIONS FROM BEGINNING TO END BEFORE STARTING TO ASSEMBLE UNIT.

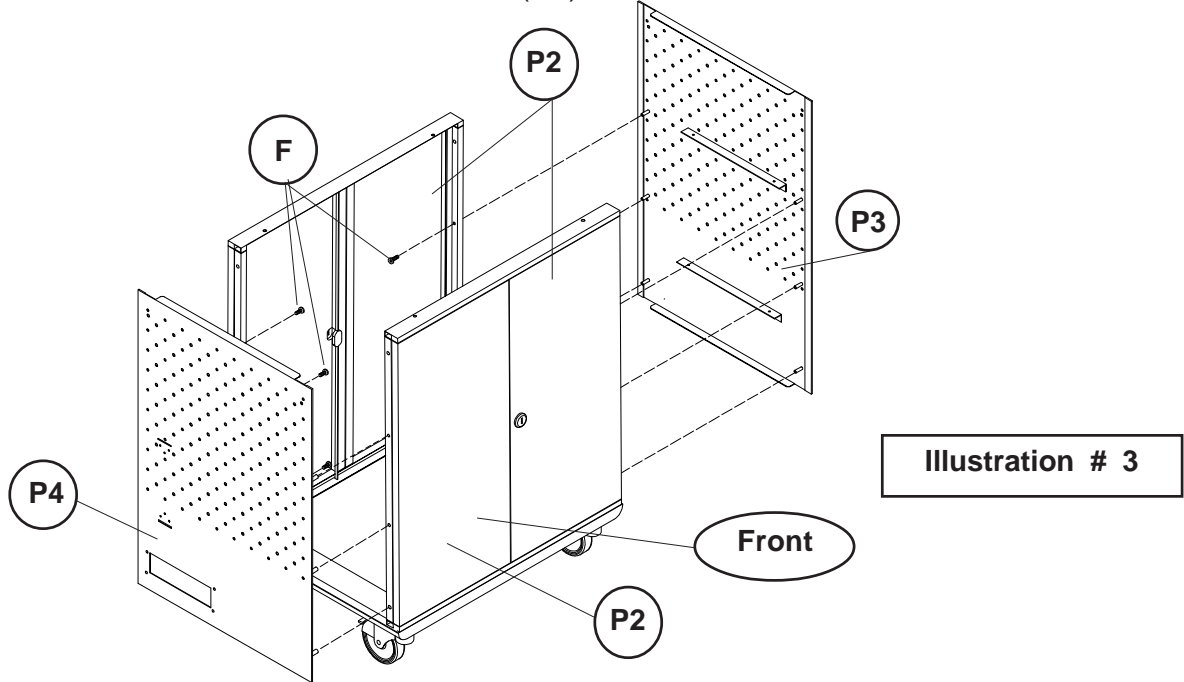
- 1.) Identify and separate all Parts and Hardware.
- 2.) Attach two Casters (A) into the right holes of the Base (P1) using four Caster Screws (L) to secure each. Attach two Locking Casters (B) into the left threaded holes on the bottom of the Base (P1) using four Caster Screws (L) to secure each. Use the Allen Wrench (G) to tighten Screws as shown in illustration # 1.



- 3.) Attach a Door Assembly (P2) to the front holes in top of the Base (P1) using two Screws (F). Attach the second Door Assembly (P2) to the rear holes in top of the Base (P1) using two Screws (F) as shown in Illustration # 2. Tighten Screws with Allen Wrench (G).



4.) Align the internal threaded posts on the Right Side Panel (P3) with the holes in the sides of the front and back Door Assemblies (P2) and secure in place using six Screws (F). Repeat this Step to install the Left Side Panel (P4) as shown in illustration # 3



5.) Attach nine of the Tablet Dividers (C) into each slot in Shelf (P5) as shown in illustration #4. Secure in place by snapping on one Divider Connector (D) to the bottom rear tab on each Tablet Divider (C). Repeat this Step for the second slot in the Shelf. Repeat this same Step for the second Shelf (P5).

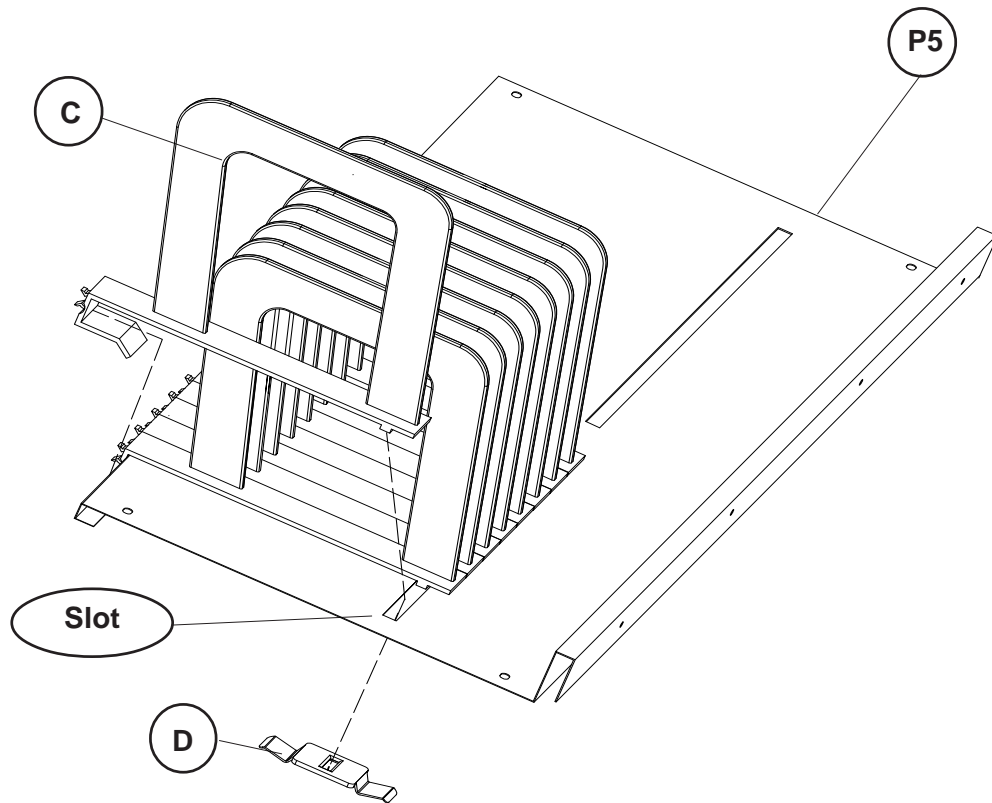
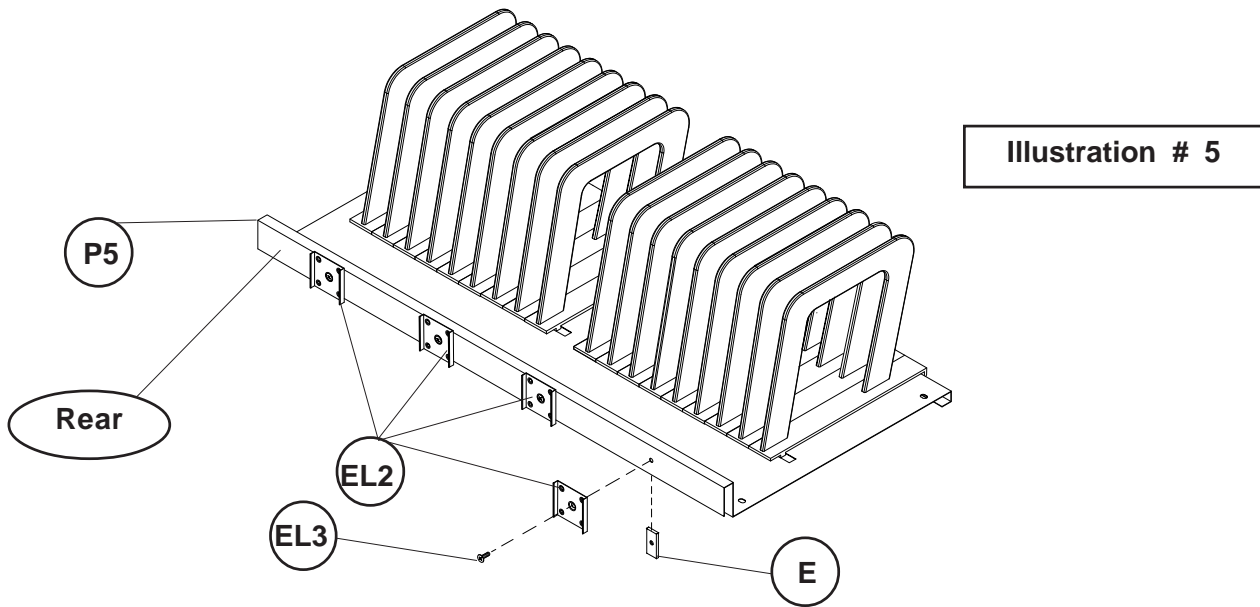
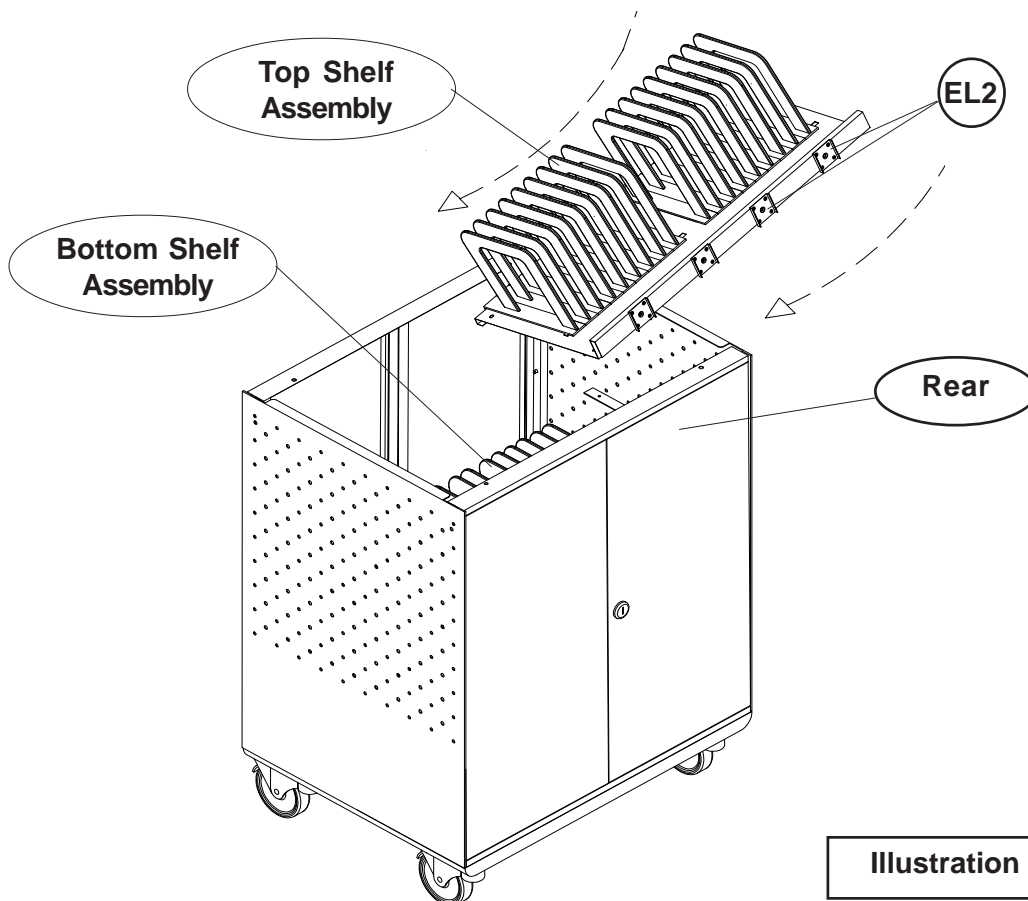


Illustration # 4

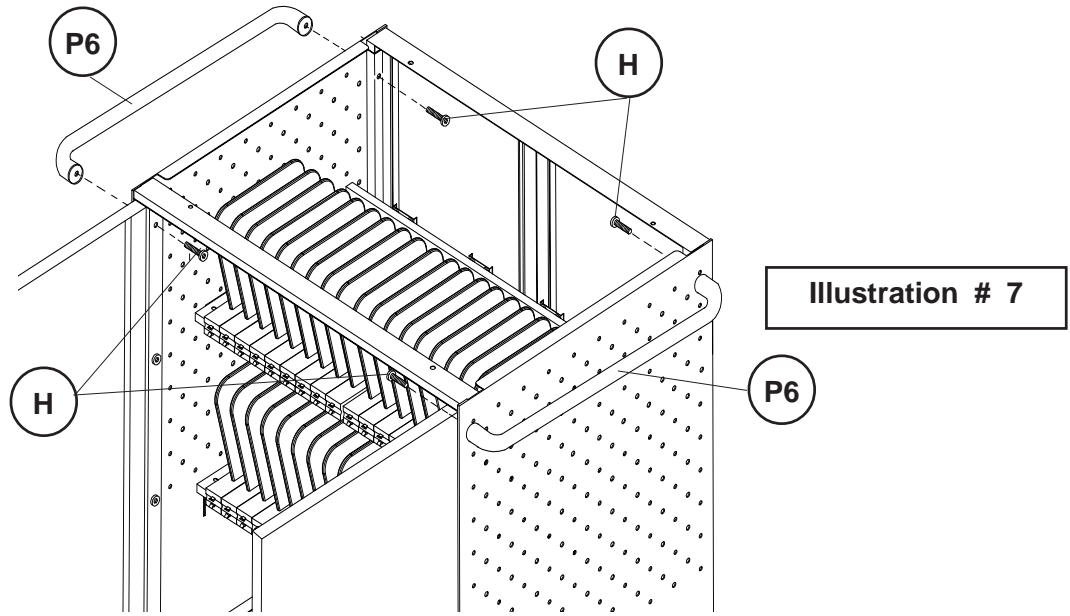
6.) Attach four Electrical Clips (EL2) to the rear flange on each Shelf (P5) using one Phillips CS Screw (EL3) and one Screw Block (E) for each as shown in illustration # 5. Repeat this Step for the second Shelf (P5).



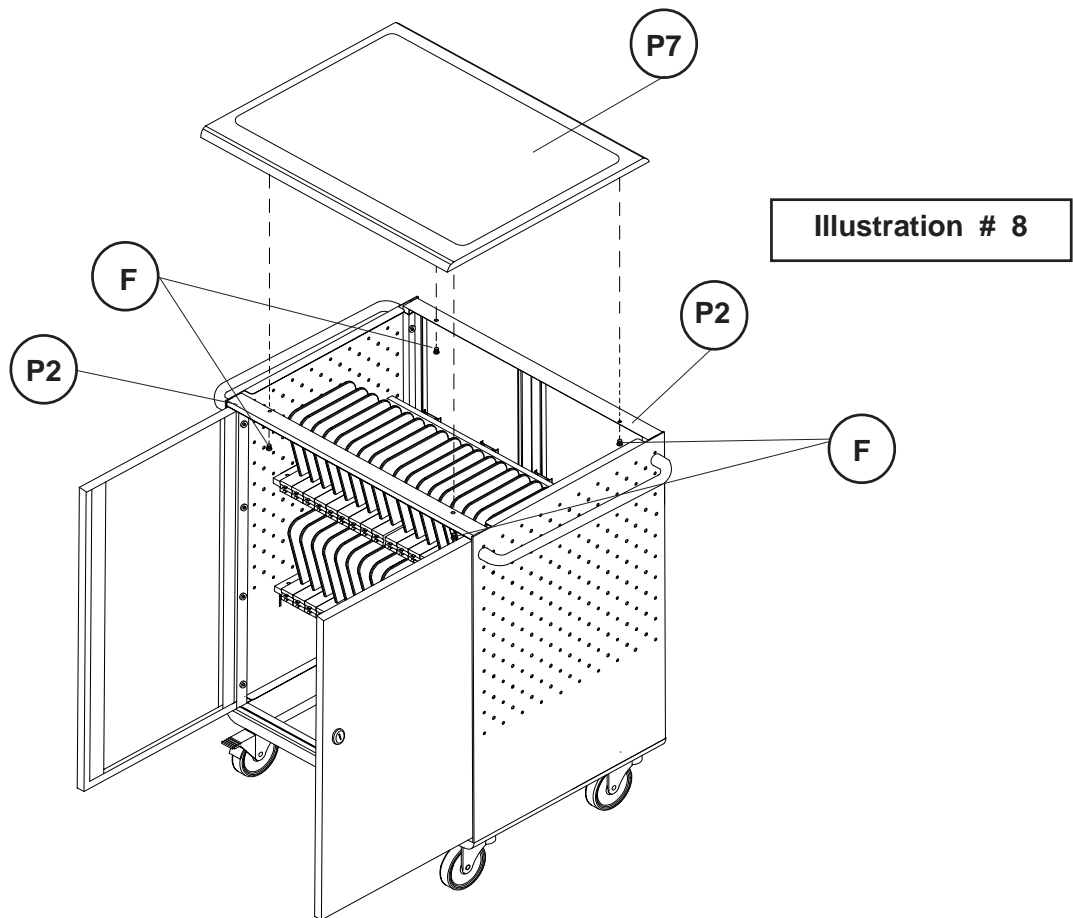
7.) Place the bottom Shelf assembly down through the top of the cart so it rests on top of the bottom two shelf supports that are welded on each Side Panel. Place the top Shelf assembly down through the top of the cart so it rests on the top two shelf supports that are welded to the Side Panels. Make sure the back of each Shelf, with the Electrical Clips (EL2), are facing the rear Doors of the cart as shown in illustration # 6. Secure Shelves in place using two Shelf Screws (J) and two Nuts (K) on each end (not shown).



8.) Attach a Handle (P6) to each Side Panel using one long Screw(H) in each end as shown in illustration # 7.



9.) Attach the Top (P7) through the holes in the Door Assemblies (P2) using four Screws (F) as shown in illustration # 8.



- 10.) Insert the Electrical Cord Holders (I) into the slots in the Right Side Panel (P-3) and secure in place using three Nuts (K) for each. See illustration # 9.

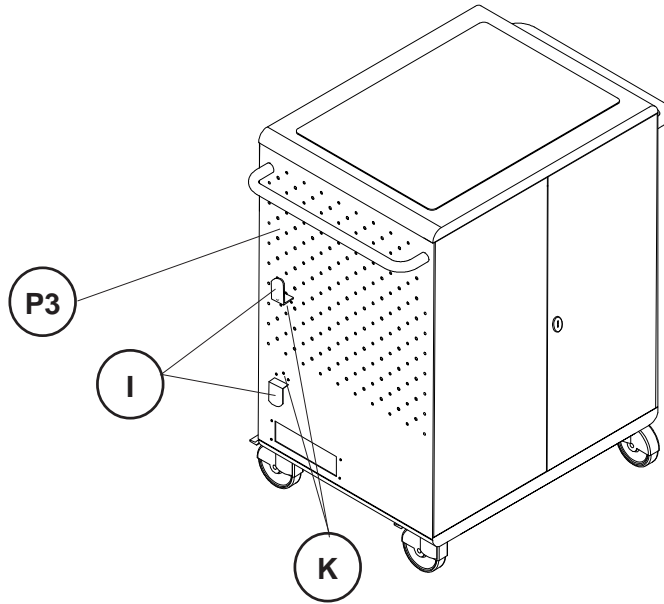


Illustration # 9

- 11.) Snap in the four Electrical Outlet Strips (EL1) vertically into the Electrical Clips (EL2) on the back of each Shelf assembly as shown in illustration # 10.

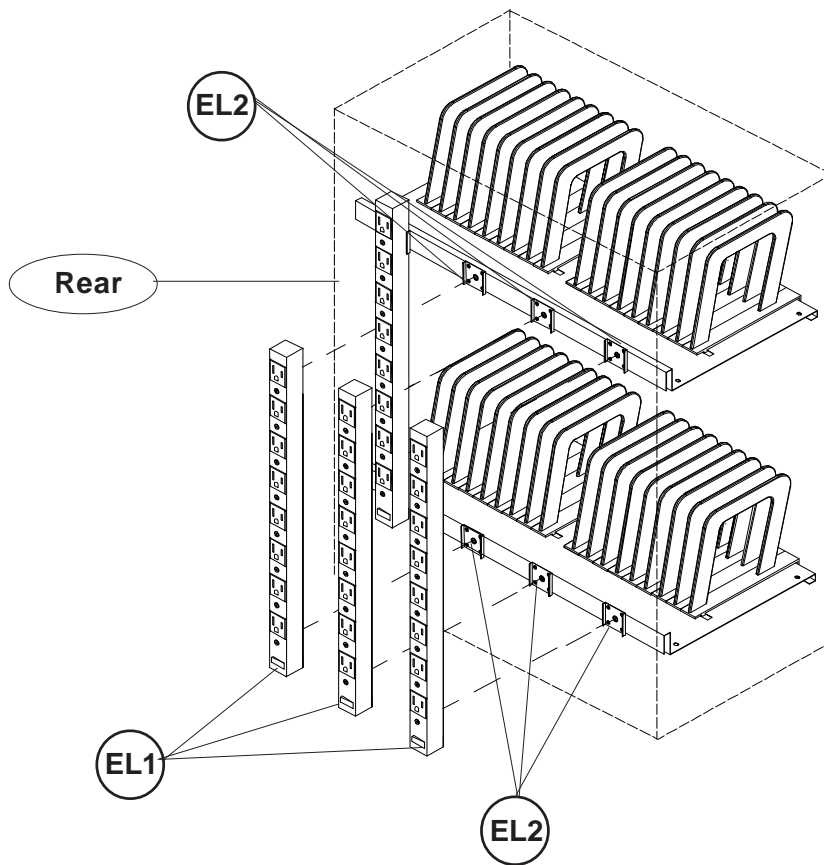


Illustration # 10

12.) Remove the four nuts and washers from the inside of the cart that hold the cover plate behind the Timer cut-out. Discard the cover plate. Insert the Timer (M) from the inside over the threaded studs. Replace the four washers and four nuts to secure in place as shown in illustration #12.

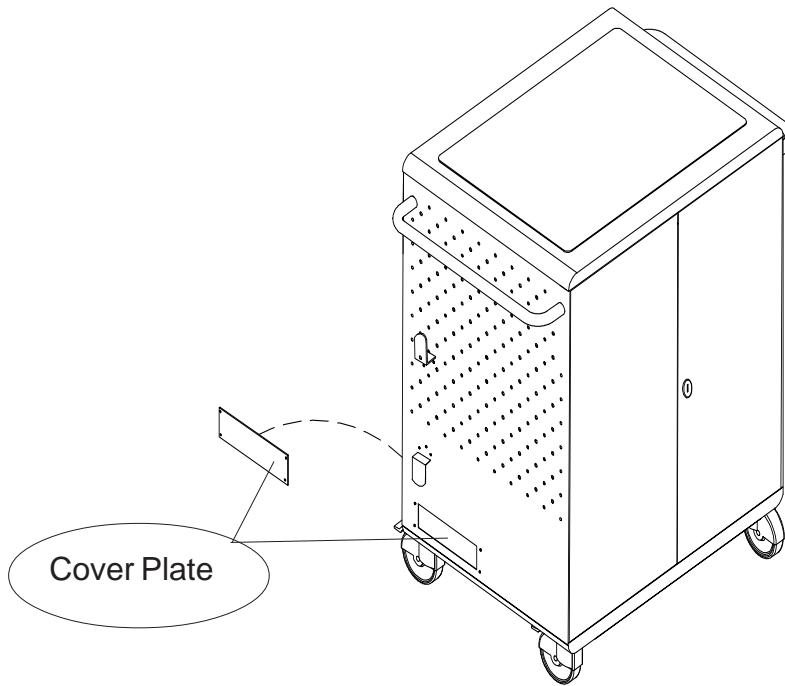


Illustration # 11

