

# ***Balt MediaSpace 60'' Flat Panel Cart - 27809***

Instruction Manual



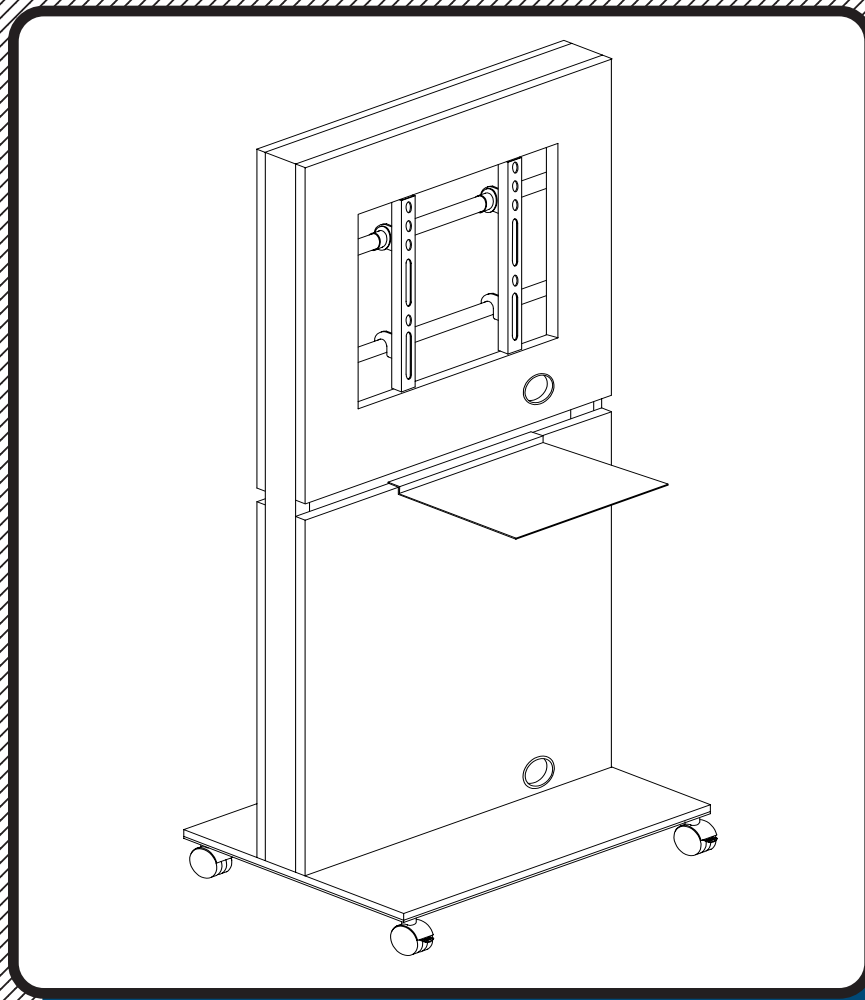
*Provided by*

**MyBinding.com**

*When Image Matters.*

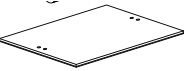
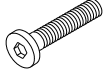

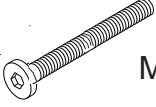
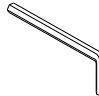
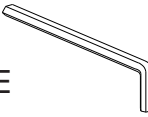


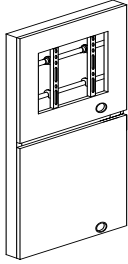
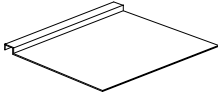
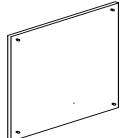
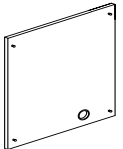
Call Us at 1-800-944-4573

# 27809 MediaSpace



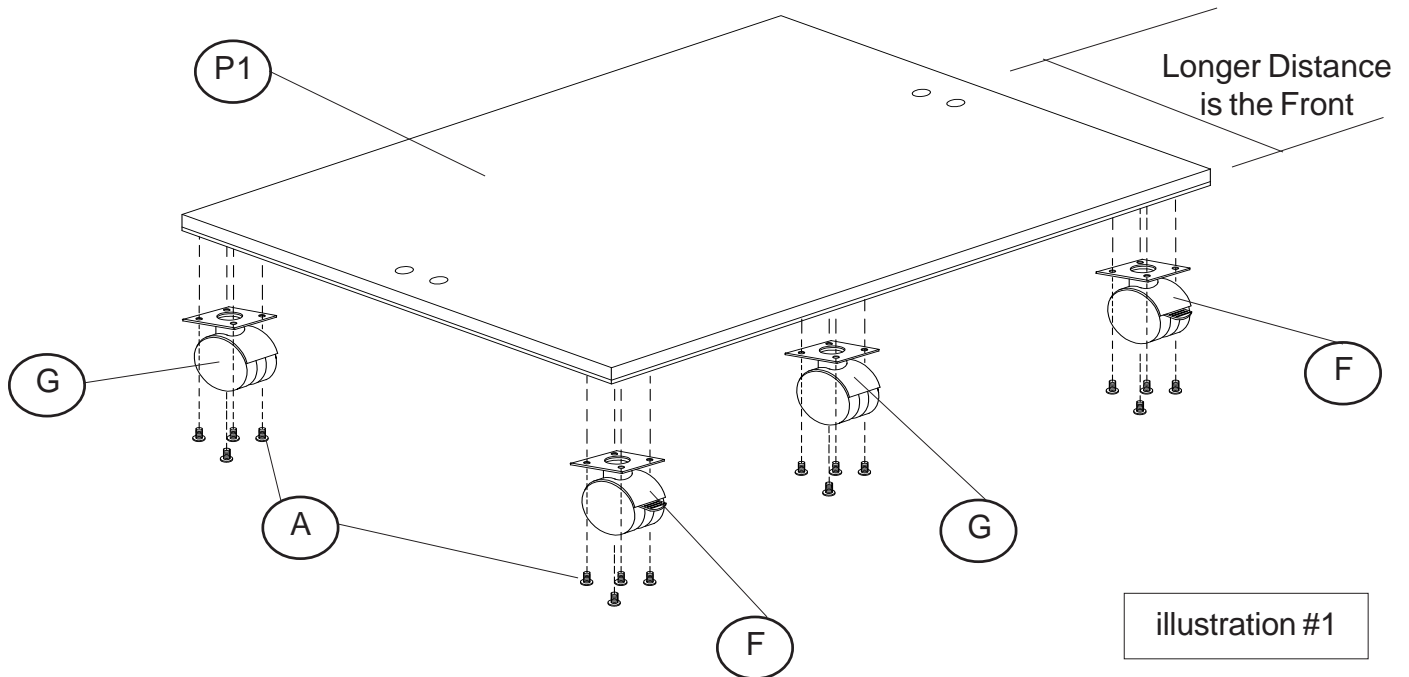
## Assembly Instructions

# 27809 MediaSpace Flat Panel Cart

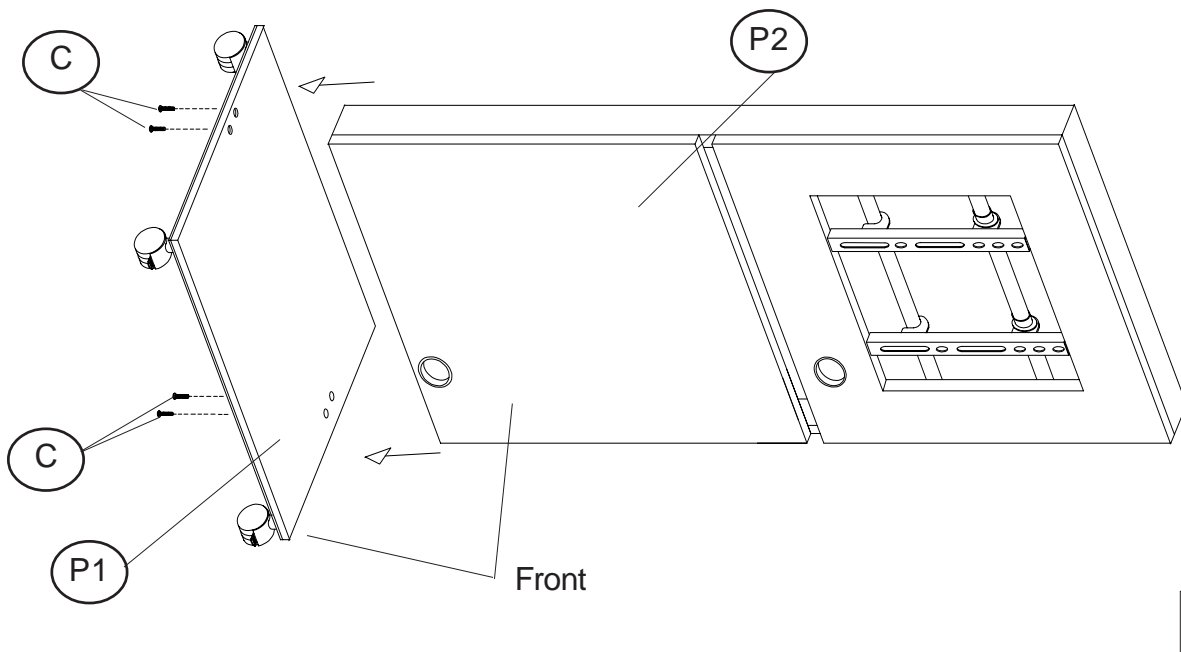
Part	Drawing	Description	Qty	Part	Drawing	Description	Qty
P1		Base	1 EA	<div style="border: 2px solid black; border-radius: 15px; padding: 10px;"> <p style="text-align: center;"><b>Hardware List</b></p> <p>A  M6*20mm 16 EA</p> <p>B  M6*12mm 2 EA</p> <p>C  M8*50.5mm 4 EA</p> <p>D  M6 Allen Wrench 1 EA</p> <p>E  M8 Allen Wrench 1 EA</p> <p>F  Locking Caster 2 EA</p> <p>G  Non-Locking Caster 2 EA</p> </div>			
P2		Body	1 EA				
P3		Shelf	1 EA				
P4		Back Panel (top)	1 EA				
P5		Back Panel (bottom)	1 EA				

# Assembly Instructions

1. Attach two Locking Casters (F) to the bottom front of the Base (P1) using four Screws (A) to secure each as shown. Attach two Non-Locking Casters (G) to the bottom back corners of the Base. Secure in place using four Screws (A) for each. Tighten the Screws with Allen Wrench (D). See illustration #1.



2. Lay the Body (P2) on the side and attach the Base (P1) using four Screws (C) as shown in illustration #2. Use Allen Wrench (E) to tighten Screws.



3. Hook the Shelf (C) over the edge of the front bottom panel. Line up the holes on the back inside of the bottom panel and secure in place using two Screws (B). Tighten Screws using Allen Wrench (D). See illustration #3.

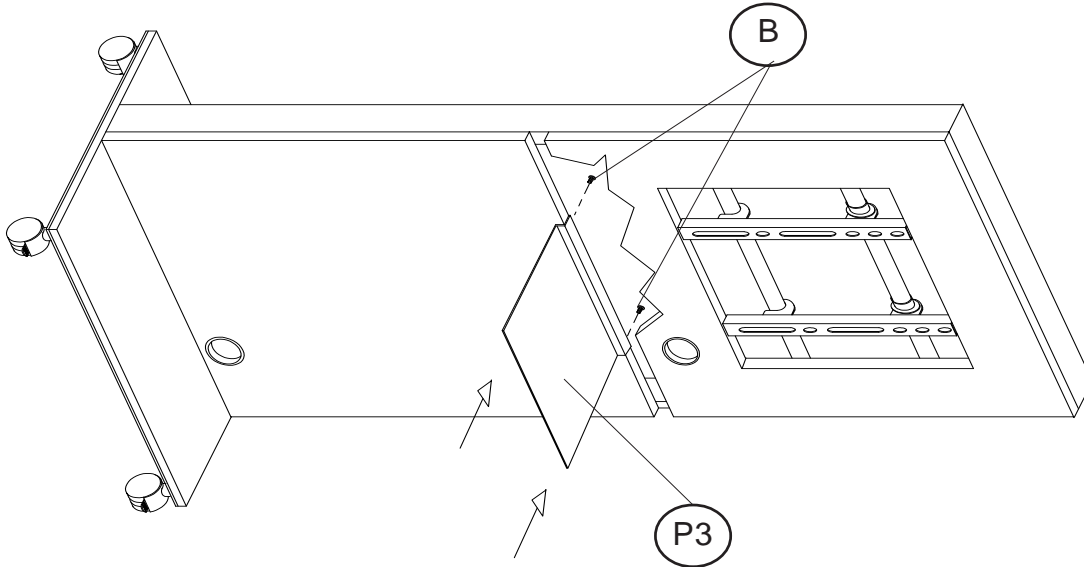


illustration #3

4. Stand the unit up and attach the bottom Back Panel (P5) into the Keyhole slots in the Body's frame. Repeat this Step to attach the top Back Panel (P4). See illustration #4

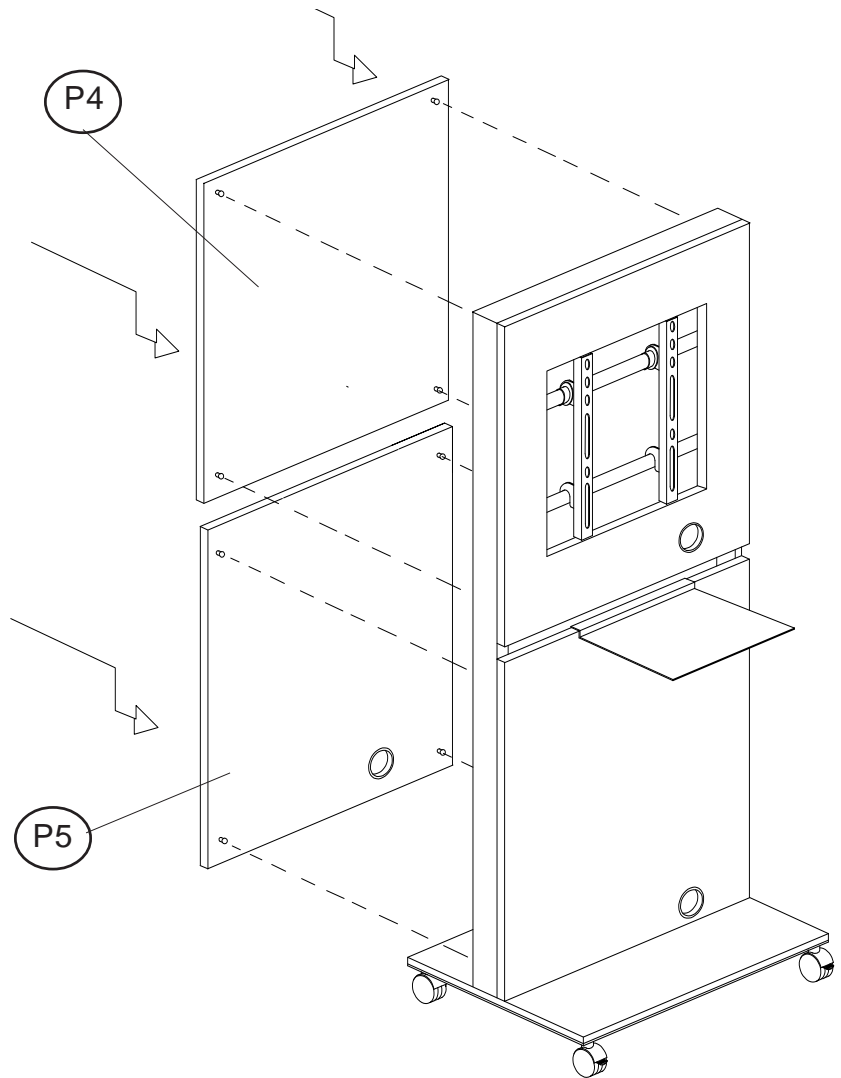
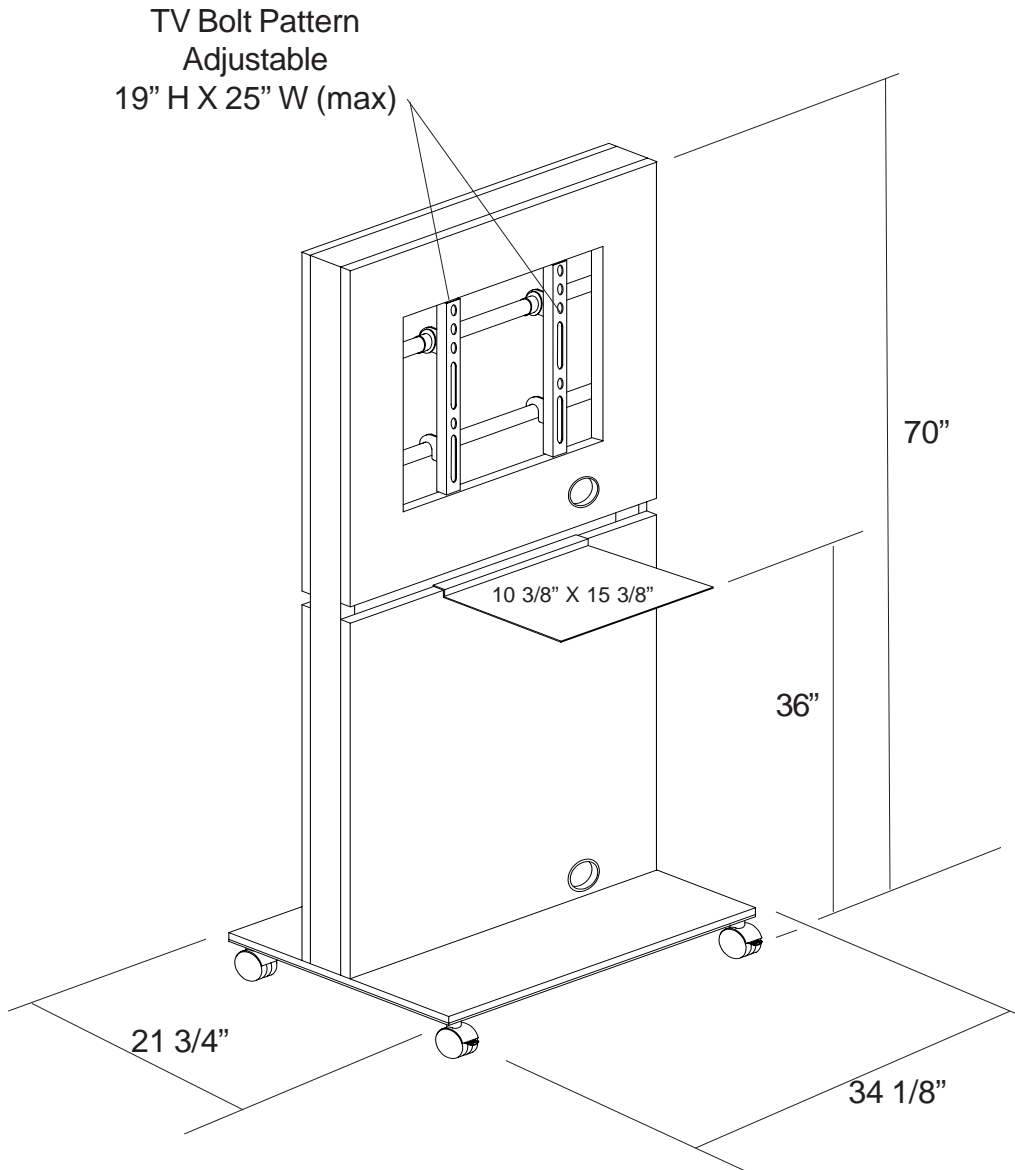


illustration #4

# 27809 MediaSpace



27809\_11-02-16