

Balt 4' x 6' Frosted Pearl Enlighten Glass Dry-Erase Whiteboard

Instruction Manual



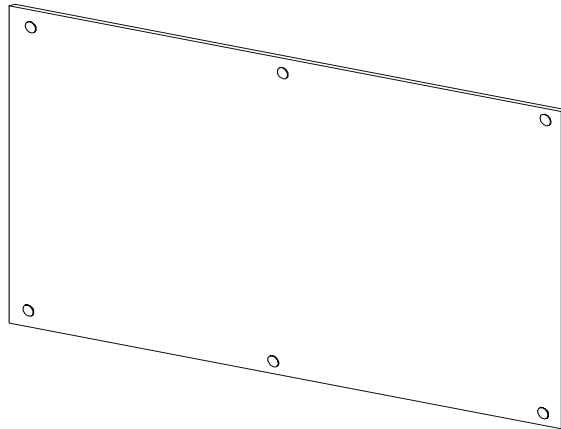
Provided by

MyBinding.com

When Image Matters.

Call Us at 1-800-944-4573

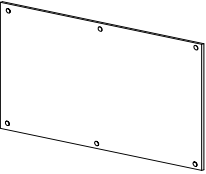
Enlighten™ Boards

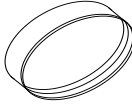


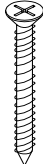
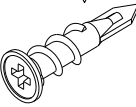
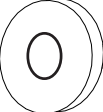


Assembly Instructions

Enlighten™ Board

Part	Drawing	Description	Qty	Part	Drawing	Description	Qty
------	---------	-------------	-----	------	---------	-------------	-----

P-1		Glass Board	1 EA
-----	---	-------------	------

Hardware List			
A		Outer Cap	See Chart
B		Brass Mount	See Chart
C		Plastic Anchor	See Chart
D		CS Screw	See Chart
E		Drywall Anchor	See Chart
F		Plastic Washer	See Chart

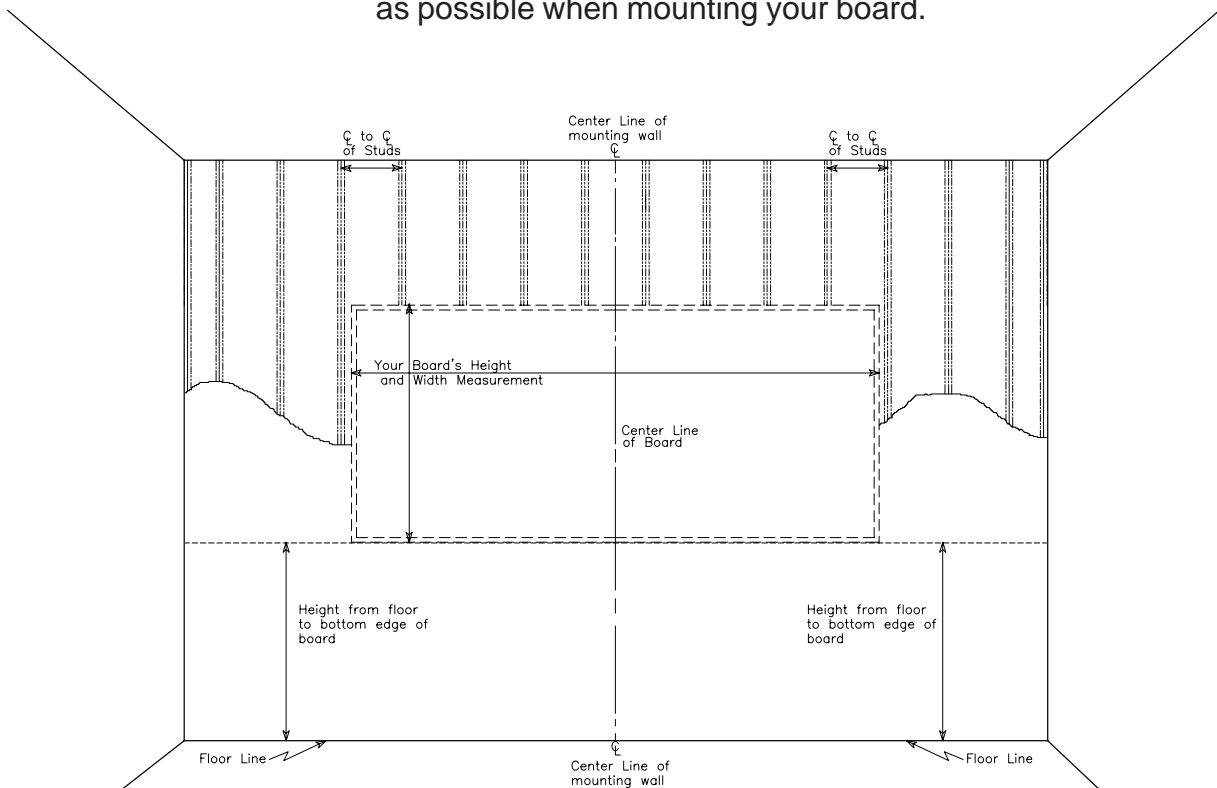
Hardware Chart by Board Size	
2'X3' GBoard	- 4 pcs. (A), (B) 4 pcs. (C), (D), (E) 4 pcs. (F)
3'X4' GBoard	- 4 pcs. (A), (B) 4 pcs. (C), (D), (E) 4 pcs. (F)
4'X6' GBoard	- 6 pcs. (A), (B) 6 pcs. (C), (D), (E) 6 pcs. (F)
1' X1' GBoard	- 4 pcs. (A), (B) 4 pcs. (C), (D), (E) 4 pcs. (F)
1.5" X 2' GBoard	- 4 pcs. (A), (B) 4 pcs. (C), (D), (E) 4 pcs. (F)
20" X 30" GBoard	- 4 pcs. (A), (B) 4 pcs. (C), (D), (E) 4 pcs. (F)

Special Note:

Your new glass board requires a flat wall for mounting. Make sure the area behind the glass board is free of any high spots.

Preparing to Install Your New Enlighten™ Board

- 1.) Measure the length and width of your new board. Determine the wall center line and height off the floor that you want your new board to be located. Hold your board up in position and draw a line under the bottom of the board and parallel with the floor. If your wall has studs, determine the centerline of the studs. It is recommended that you tie into as many studs as possible when mounting your board.



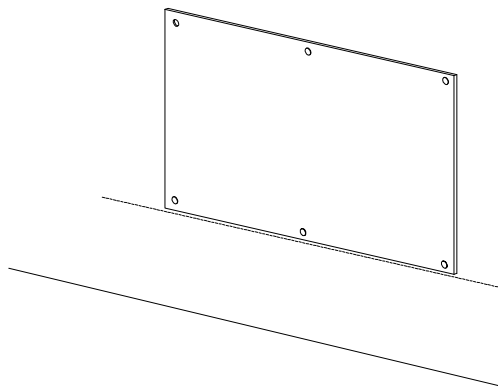
Typical Room With Stud Wall Centered Board Layout

NOTE: The proper installation of your board will require at least two people.
Tools required: Tape measure, chalkline, electric drill / screwdriver, drill and screwdriver bits, stud finder and level.

Illustration # 1

- 2.) When you have your glass board positioned, mark the wall through the mount holes that are in the board.

Illustration # 2

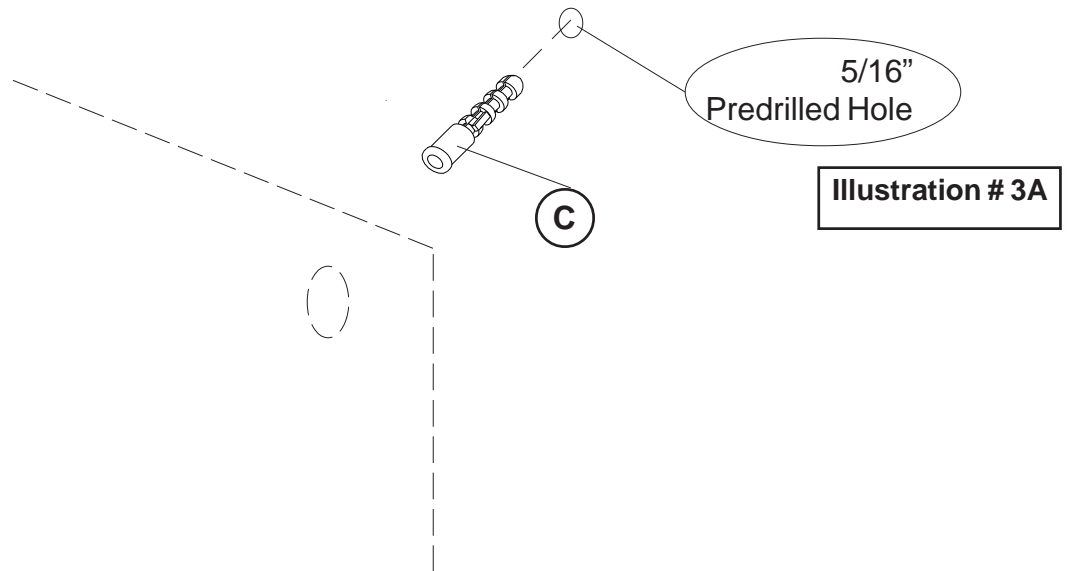


Installing the Glass Board

3.) After you have followed the guidelines from Page 3, install the correct number of wall anchors for the size board you are mounting to the wall. Install the anchors as shown in Illustration #3A and #3B.

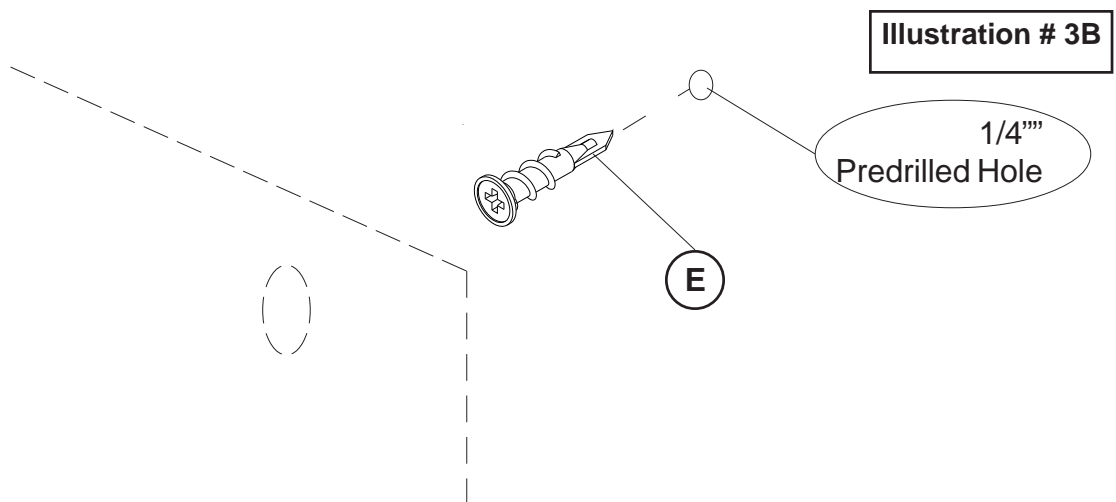
3A.) For all walls except sheet rock:

Predrill a 5/16" diameter hole in the center of each of your marked mount holes. Push in a Plastic Anchor (C) into each predrilled hole. Repeat this Step for each anchor that is required for your size board.

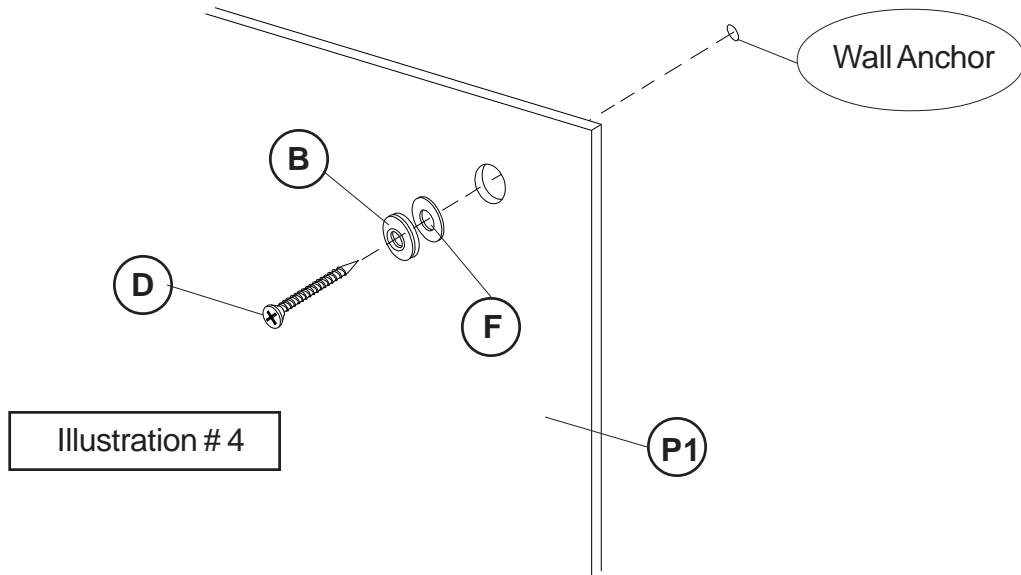


3B.) For sheet rock walls:

Predrill a 1/4" diameter hole in the center of each of your marked holes. Screw in a Drywal I Anchor (E) in the center of each of the marked mount holes. Repeat this Step for each anchor that is required for your size board.



- 4.) To attach your Glass Board (P1) to the wall, use a Screw (D) through a Brass Mount (B), a Plastic Washer (F), through the hole in the board and into the wall anchor as shown in illustration # 4. Repeat this Step for each mounting hole in your board.



- 5.) Screw an Outer Cap (A) onto each Brass Mount (B) as shown in illustration # 5. Repeat this Step for each mount on your board.

