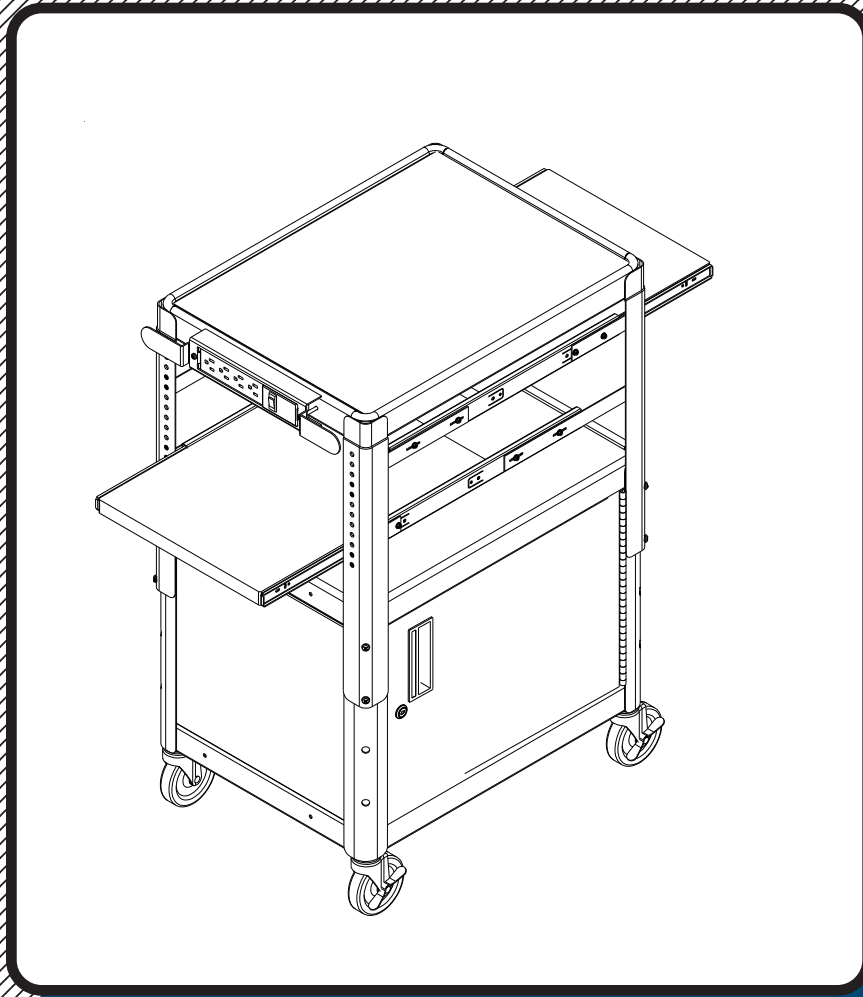


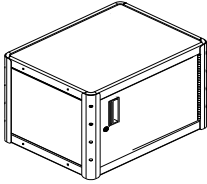


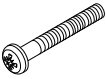






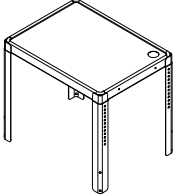
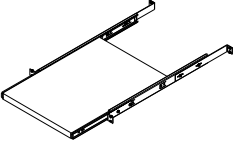
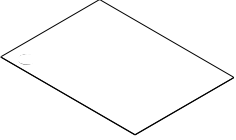
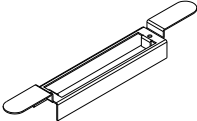
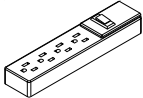
89875

Dual Adjustable Laptop Cart

with 2 Pull-out Shelves & Locking Cabinet



Assembly Instructions

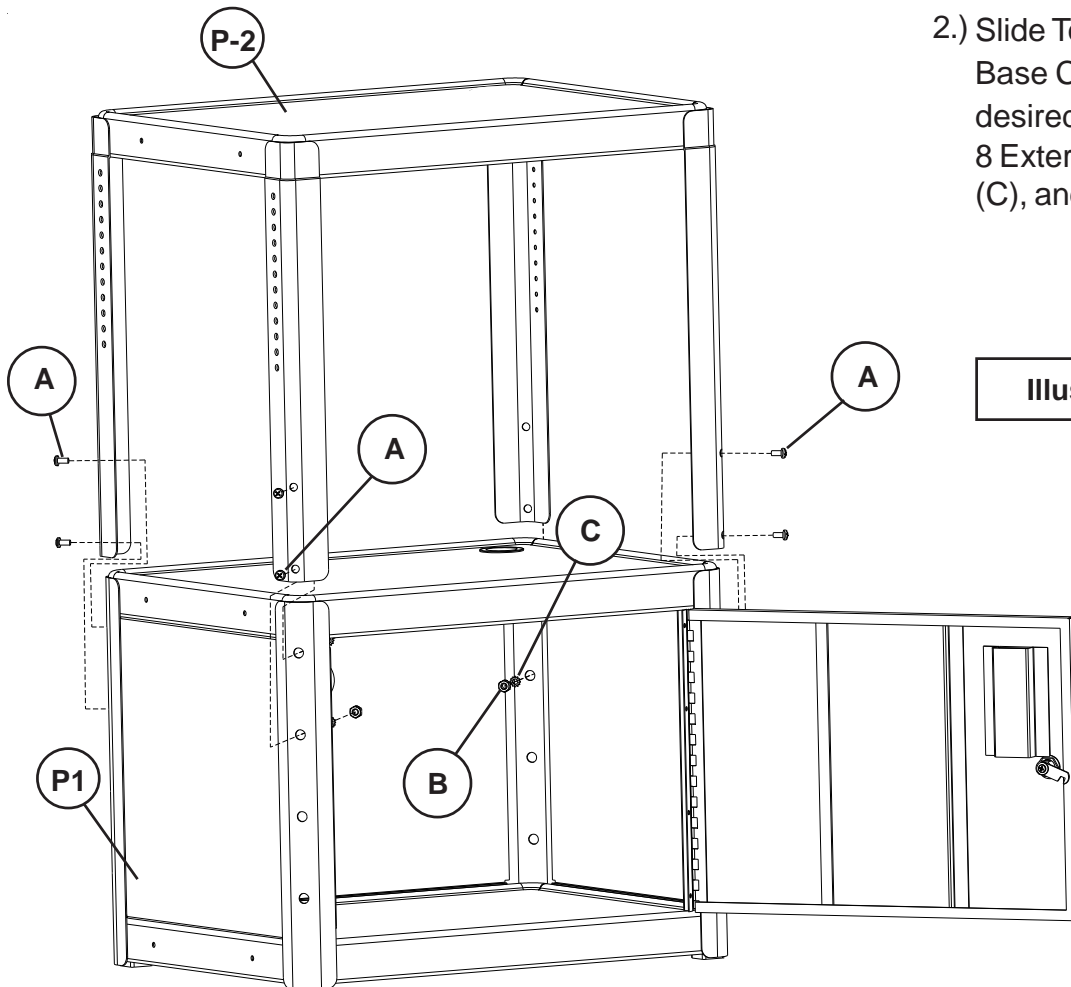
Part	Drawing	Description	Qty	Part	Drawing	Description	Qty
P1		Base Cabinet	1 EA	<div style="border: 2px solid black; border-radius: 15px; padding: 10px;"> <p style="text-align: center;">Hardware List</p> <p>A  Screw M6X12mm Pan Hd 8 EA</p> <p>A1  Screw M3.5X12mm CS 16 EA</p> <p>A2  Screw M5X45mm Pan Hd 2 EA</p> <p>B  Hex nut M6 8 EA</p> <p>B1  Hex nut M3.5 16 EA</p> <p>B2  Hex nut M5 w/Flange 2 EA</p> <p>C  Lock Washer Ext Tooth (For M6 Screw) 8 EA</p> <p>D  4" Locking Caster 2 EA</p> <p>E  4" Caster 2 EA</p> </div>			
P2		Top Shelf	1 EA				
P3		Pull-out Shelf	2 EA				
P4		Rubber Mat	1 EA				
P5		Cord Winder	1 EA				
P6		Electrical Outlet	1 EA				
<p><i>We recommend that you assemble this unit on a table.</i></p> <p>Tools required: Adjustable Crescent Wrench</p>							

Do not use unless all screws are tight. At least every six months, check all screws to be sure they are tight. If parts are missing, broken, damaged, or worn, stop use of the product until repairs are made by your dealer using factory authorized parts.

Assembly Diagram

READ THROUGH INSTRUCTIONS FROM BEGINNING TO END BEFORE STARTING TO ASSEMBLE UNIT.

1.) Identify and Separate all the Parts and Hardware.



2.) Slide Top Shelf (P-2) over the Base Cabinet (P-1) and secure at desired height using 8 screws (A), 8 External Tooth Lock Washers (C), and 8 Hex Nuts (B).

Illustration # 1

3.) Press 2 Locking Casters (D) and 2 non-locking casters (E) into the factory installed nylon inserts in the Base Cabinet (P-1) as shown in illustration #2.

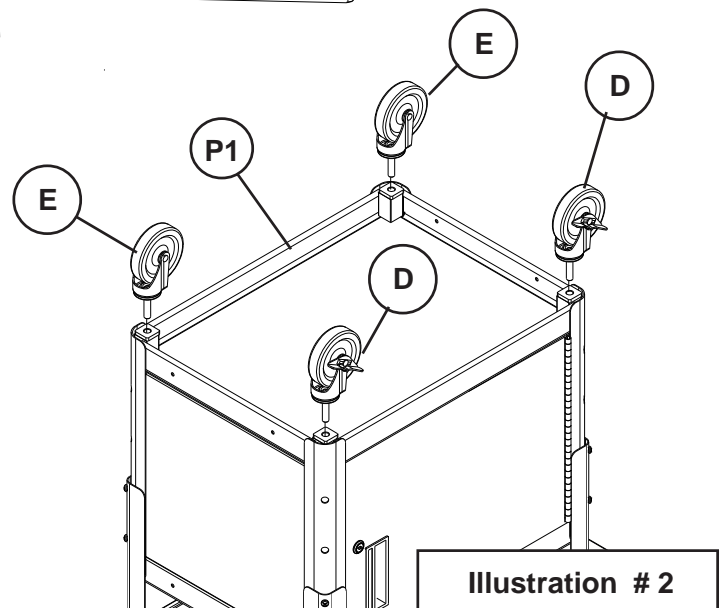
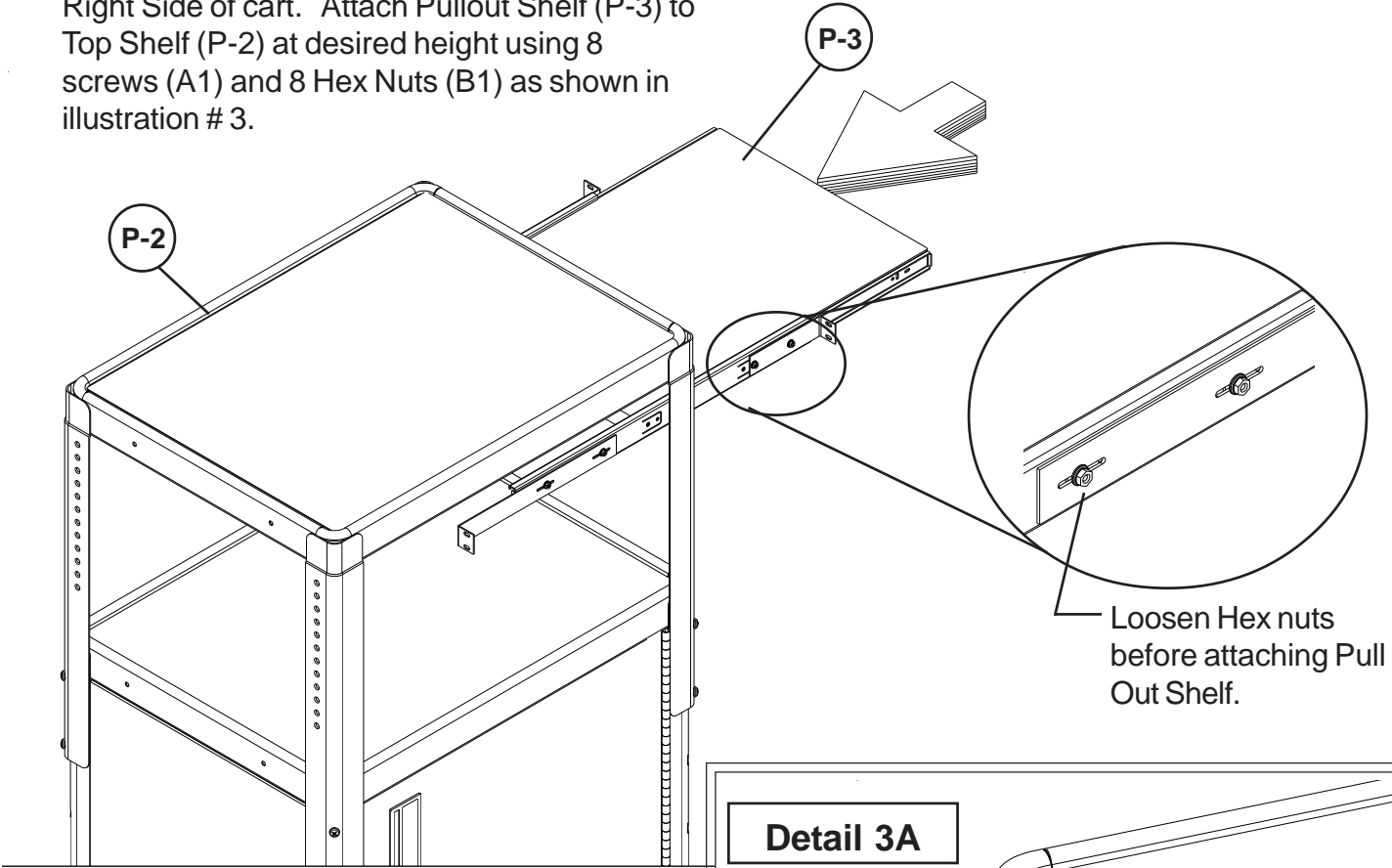


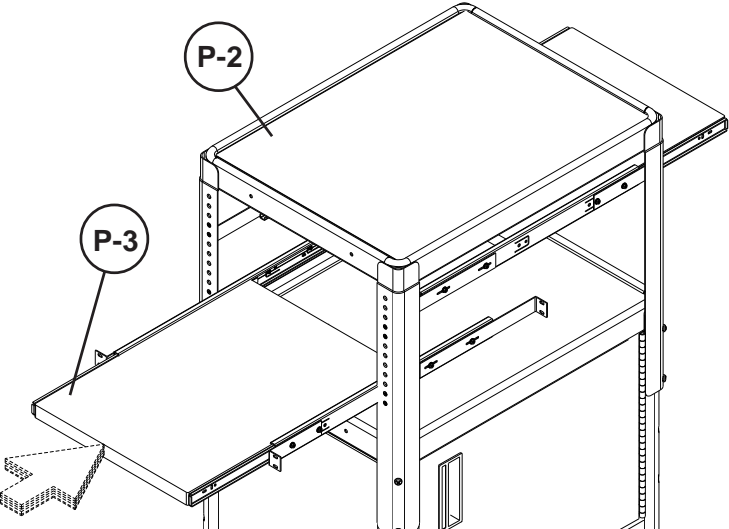
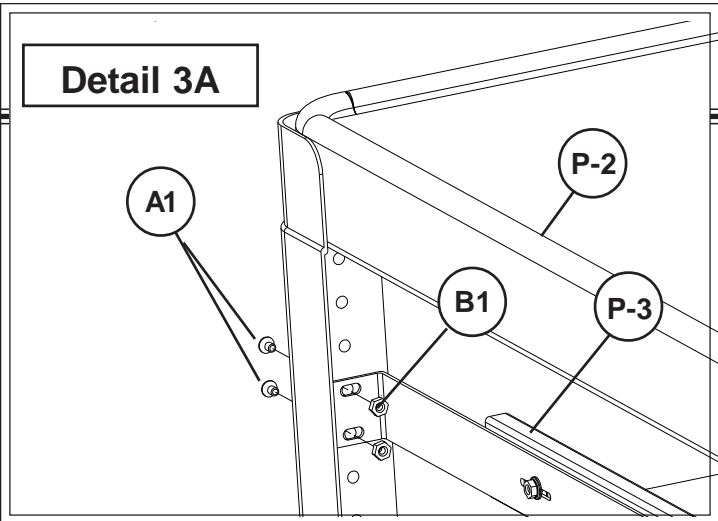
Illustration # 3

4.) Tilt 1 Pullout Shelf (P-3) and slide in from the Right Side of cart. Attach Pullout Shelf (P-3) to Top Shelf (P-2) at desired height using 8 screws (A1) and 8 Hex Nuts (B1) as shown in illustration # 3.



5.) Tilt 1 Pullout Shelf (P-3) and slide in from the Left Side of cart. Attach Pullout Shelf (P-3) to Top Shelf (P-2) at desired height using 8 screws (A1) and 8 Hex Nuts (B1) as shown in illustration # 4.

Illustration # 4



6.) Place Rubber Mat (P-4) on the Top Shelf (P-2) as shown in illustration #5.

7.) Attach Cord Winder (P-5) and Electrical Strip (P-6) to either side of Top Shelf (P-2), or Base Cabinet (P-1) using 2 screws (A2) and 2 Hex Nuts M5 w/Flange (B2).

8.) Tighten all screws using Phillip's head screwdriver and Wrench (Not Provided).

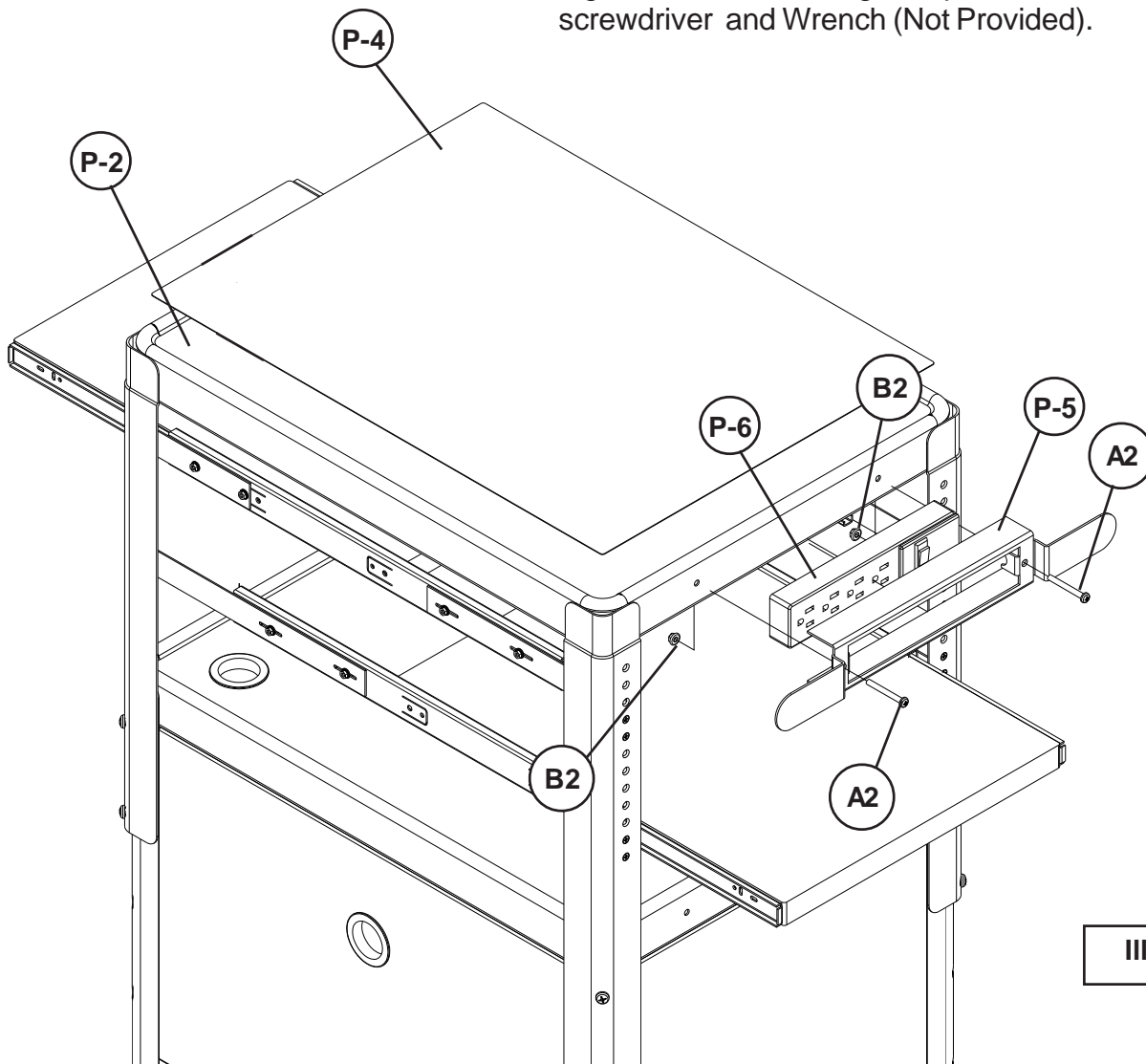


Illustration # 5