

***SealerSales CN-4520A  
Heat Shrink Tunnel  
(18"W x 8"H x 32"L)***

Parts List



*Provided by*

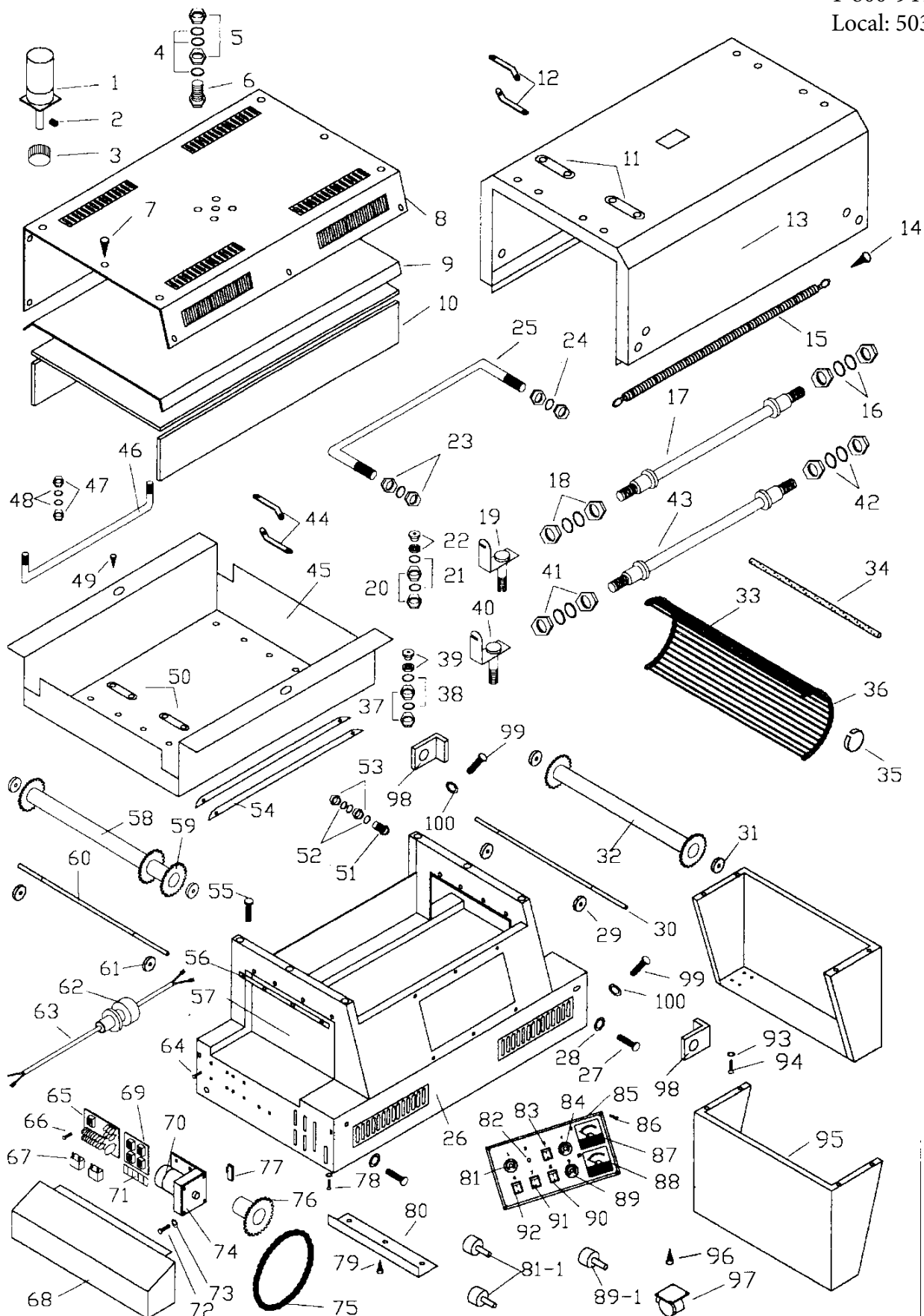
**MyBinding.com**

*When Image Matters.*

Call Us at 1-800-944-4573

# ■ CN-4520 Shrink Tunnel Spare Parts DIAGRAM

MyBinding.com  
5500 NE Moore Court  
Hillsboro, OR 97124  
Toll Free:  
1-800-944-4573  
Local: 503-640-5920



# ■ CN-4520 Shrink Tunnel

## Spare Parts DIAGRAM

| No    | Description                             | No  | Description                                       | No   | Description  |
|-------|---|-----|---|------|--|
| 1     | Fan Motor                               | 35  | E-Type Ring, 184 pcs/tunnel                       | 70   | Transmission Motor                                 |
| 2     | Socket Heat Set Screw                   | 36  | Transmission Chain,4*2LSA-1,184L*36, 2 pcs/tunnel | 71   | PC Board Bracket                                   |
| 3     | Fan                                     | 37  | Hexagon Nut                                       | 74   | Motor Bracket                                      |
| 4     | Washer                                  | 38  | Washer  | 72   | Hexagon Head Bolt                                  |
| 5     | Hexagon Nut                             | 39  | Ceramic Busing Insulation                         | 73   | Washer   |
| 6     | Bolt Hexagon Head Screw                 | 40  | L-Type Bracket for Heater Tube                    | 75   | Transmission Chain35RX*44L                         |
| 7     | Tapping Screw                           | 41  | Hexagon Nut                                       | 76   | Transmission Gear                                  |
| 8     | Body Cover                              | 42  | Washer  | 77   | Socket Heat Set Screw                              |
| 9     | Glass Fiber                             | 43  | Heater Tube (17)                                  | 78   | Tapping Screw                                      |
| 10    | Heat Insulating Panel                   | 44  | Connecting Brass Strip                            | 79   | Tapping Screw                                      |
| 11    | I-Type Connecting Brass                 | 45  | Stainless Steel Under Tunnel                      | 80   | Cover Protecting Hood                              |
| 12    | Connecting Brass                        | 46  | U-Type Guard Rail                                 | 81   | Knob/ Convey or Potentionmeter                     |
| 13    | Upper Stainless Steel Tunnel            | 46a | L-Type Guard Rail                                 | 81-1 | Convey or Rate Variable Resistance                 |
| 14    | Tapping Screw                           | 47  | Hexagon Nut                                       | 102  | Knob/ Heater Potentiometer                         |
| 15    | Heat Resistance                         | 48  | Washer  | 82   | Power Lamp   |
| 16    | Washer                                  | 49  | Tapping Screw                                     | 83   | Switch/ Upper Heater                               |
| 17    | Heater Tube                             | 50  | I-Type Connecting Brass Strip                     | 84   | Knob/Upper Potentiometer                           |
| 17a   | Ceramic in Heat Tube                    | 51  | Hexagon Head Bolt                                 | 84-1 | Upper Heater Variable Resistance                   |
| 18    | Hexagon Nut                             | 52  | Washer  | 85   | Control Panel                                      |
| 19    | Heater tube L-Type Bracket              | 53  | Hexagon Nut                                       | 86   | Tapping Screw                                      |
| 20    | Hexagon Nut                             | 54  | Track   | 87   | Volt Meter/Upper Heater                            |
| 21    | Washer                                  | 55  | Tapping Screw (66)                                | 88   | Volt Meter/Low er Heater                           |
| 22    | Ceramic Insulating Bushing              | 56  | Teflon Pressing Strip                             | 88a  | Volt Meter Cover                                   |
| 23    | Hexagon Nut                             | 57  | Teflon  | 89   | Knob/ Lower Potentiometer                          |
| 24    | Washer                                  | 58  | Transmission Gear Shaft                           | 89-1 | Lower Heater Variable Resistance                   |
| 25    | U-Type Guard Rail                       | 59  | Ball Bearing (same as #31)                        | 90   | Switch/4 P, Lower Heater                           |
| 26    | Machine Body                            | 60  | Central Shaft ( same as #30)                      | 91   | Sw itch/ Two Sides Heater, 4P                      |
| 27    | Hexagon Head Bolt                       | 61  | C-Type Ring (same as #29)                         | 92   | Convey or & Fan Switch                             |
| 28    | Washer                                  | 62  | Cable Glands,Bushing                              | 93   | Washer   |
| 29    | C-type Ring                             | 63  | Power Line  | 94   | Hexagon Head Bolt                                  |
| 30    | Central Shaft, includes C-Type Ring     |     | Thermocouples                                     | 95   | Supporting Leg                                     |
| 30a   | Complete Set, Central Shaft w/Teflon    | 64  | Locking Circuit Board Support                     | 96   | Tapping Screw                                      |
| 31    | Ball Bearing                            | 101 | Magnetic Connector                                | 97   | Caster   |
| 32    | Transmission Gear                       | 66  | Tapping Screw                                     | 98   | Adjustable Clip                                    |
| 33    | Bar ,Convey or Roller, 92 pcs/tunnel    | 67  | Condenser   | 99   | Screw  |
| 33a   | Convey or Roller, 80pcs/set             | 68  | Small Cover                                       | 100  | Washer   |
| 34    | Silicon Glass Fiber Tube, 92 pcs/tunnel | 65  | PC Board/Heater, JC-2F098                         | 101  | Complete Convey or 2(#36),92(#34),184(#35),92(#33) |
| 33+34 | Convey or Roller w/sleeve               | 69  | PC Board/Motor/Convey or                          | 102  | Net Type Convey or Belt                            |

MyBinding.com  
5500 NE Moore Court  
Hillsboro, OR 97124  
Toll Free: 1-800-944-4573  
Local: 503-640-5920