

SealerSales FKR-400 Portable PTFE Coated 16" Direct Heat Sealer with Temp Controller

Parts List



Provided by

MyBinding.com

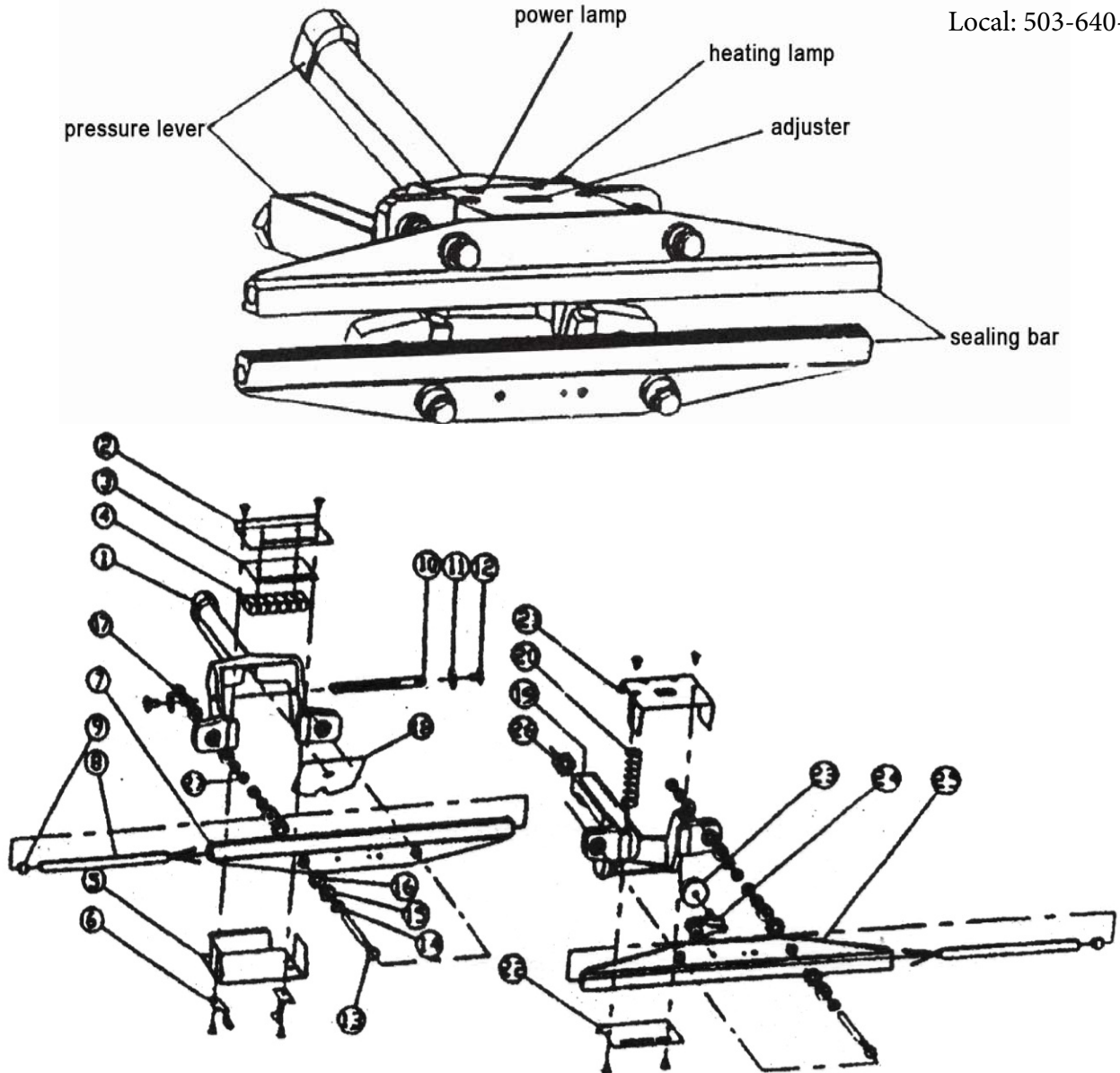
When Image Matters.

Call Us at 1-800-944-4573

FKR Portable Hand Sealers (FKR-400)

Spare Parts DIAGRAM

MyBinding.com
 5500 NE Moore Court
 Hillsboro, OR 97124
 Toll Free: 1-800-944-4573
 Local: 503-640-5920



PARTS LIST						
No	Description	QTY	No	Description	QTY	
1	Lever (up)	1	15	Expoxy Washer	16	
2	Lever Cover (up)	1	16	Aluminum	8	
3	Insulation Plate	1	17	Nylon Nut	4	
4	Circuit Set	1	18	Insulation Cover	1	
5	Below Board	1	19	Lever (down)	1	
6	Supporter	2	20	Spring	1	
7	Heating Bar (down)	1	21	Plate Board	1	
8	Heater	4	22	Lever Cover	1	
9	M10 Bolt	4	23	Volume	1	
10	Shaft	1	24	Bimetal	1	
11	Plain Washer	2	25	Heating Bar (up)	1	
12	M6 Bolt	2	26	Code Rock	1	
13	Stainless Steel Bolt	4	27	Stainless Steel Nut	8	
14	Plain Washer (SUS)	16				