

## ON-A-ROLL LIFTER® GRANDE

Need a workhorse lifter that can manage large or heavy rolls? The Foster On-a-Roll Lifter® Grande is just the ticket. Designed specifically for roll converters, package printers, and other businesses needing to handle very heavy media, this beefy lifter lets one operator move rolls as heavy as 1,540 lbs (700 kg). The specially designed tray accommodates rolls for easy loading and unloading, as well as transporting.



### IMPORTANT FEATURES

- Specially designed tray for easy loading and unloading rolls
- Pair of heavy-duty swivel casters with easy step-on locking brake
- Reduces on-the-job injuries and enables all workers to move heavy rolls
- User-friendly operation avoids costly and dangerous handling mistakes that damage media
- Rugged construction ensures long lifter life
- Single-person operation saves labor and time

### MODEL 61590

Roll Weight Capacity.....	700 kg (1540 lbs)
Min. Tray Height .....	17 cm (6.69")
Lift Height .....	86.5 cm (34")
Front Swivel Castors.....	4" ø x 2"W
Rear Swivel Castors .....	6" ø x 2"W
Max. Roll Width .....	155 cm (61")
Max. Roll Diameter .....	80 cm (31.49")
Width x Depth.....	70 cm x 126.33 cm (27.56" x 49.74")
Height.....	112.01 cm (44.1")
Bottom Fork Clearance .....	15.9 cm (6.3")
Weight.....	153 kg (337 lbs)

2-year warranty on all wheels, hydraulics and media tray.  
 5-year warranty on cross bars.

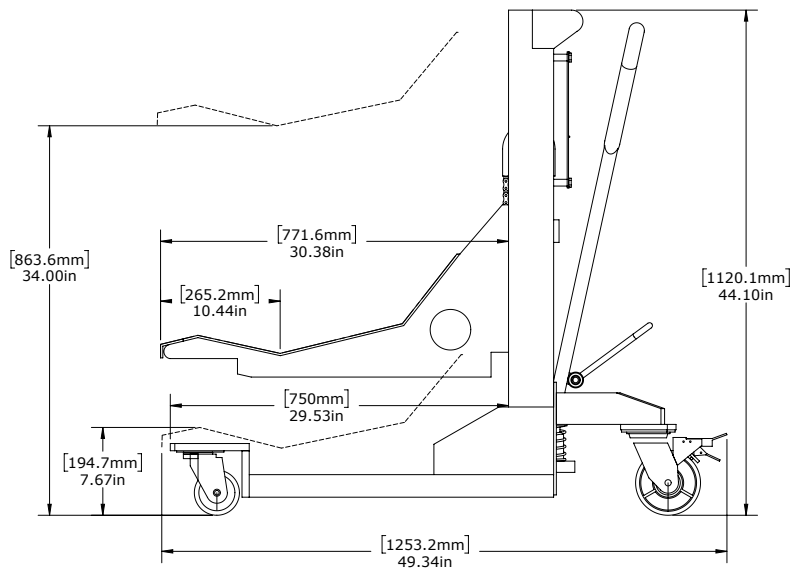
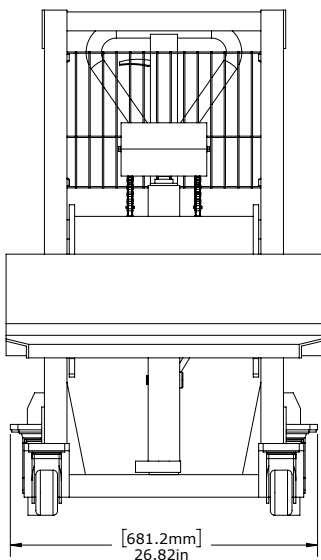
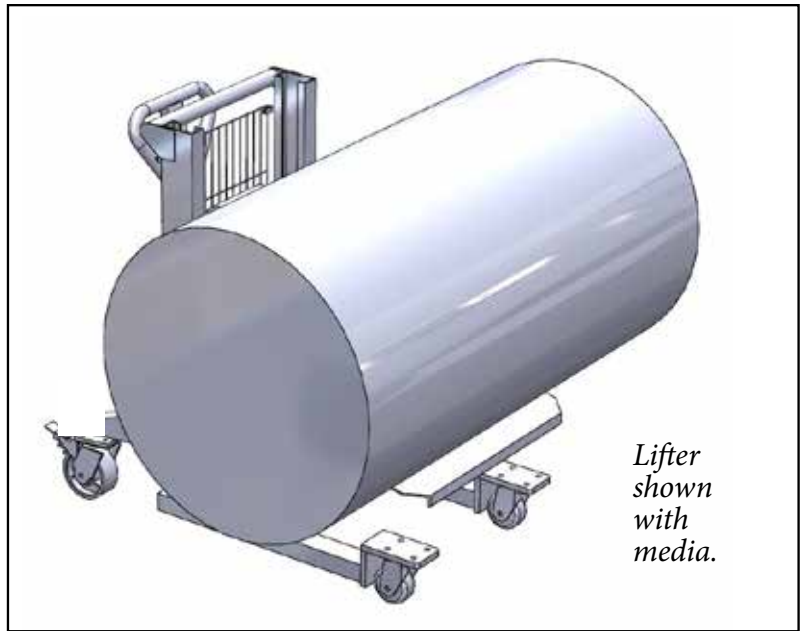
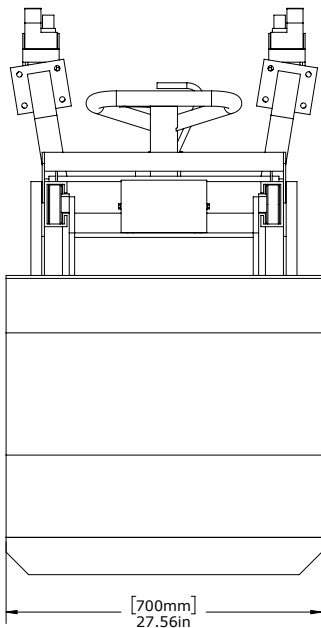
MyBinding.com  
5500 NE Moore Court  
Hillsboro, OR 97124  
Toll Free: 1-800-944-4573  
Local: 503-640-5920



## ON-A-ROLL LIFTER® GRANDE SPECIFICATIONS 61590

Use the drawings below and the specifications overleaf to ensure the On-a-Roll Lifter Grande is right for your shop.

- THINGS TO CONSIDER:
- Maximum lift height required
  - Maximum and minimum roll diameter
  - Will any obstructions prohibit moving the lifter close to the receiving machine?
- Still have questions? Call 800.523.4855



toll free (USA and Canada only) 800.523.4855 or 267.413.6220 • fax 267.413.6227

204B Progress Drive, Montgomeryville, PA 18936 USA • information@go-foster.com • www.go-foster.com