

# ***Ghent Aria Blue 2' x 3' Non- Magnetic Low Profile Glassboard (Horizontal)***

Instruction Manual



*Provided by*

**MyBinding.com**

*When Image Matters.*

Call Us at 1-800-944-4573

# ARIA FLUSH MOUNTED GLASSBOARD

Questions? Call Monday -Friday, 8AM - 5PM EST 800-543-0550

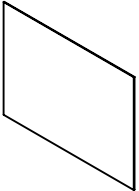
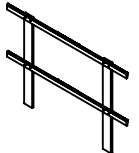
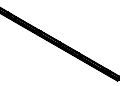





Installation video at [www.ghent.com/aria](http://www.ghent.com/aria)

MyBinding.com  
5500 NE Moore Court  
Hillsboro, OR 97124  
Toll Free: 1-800-944-4573  
Local: 503-640-5920

## Tools Needed:

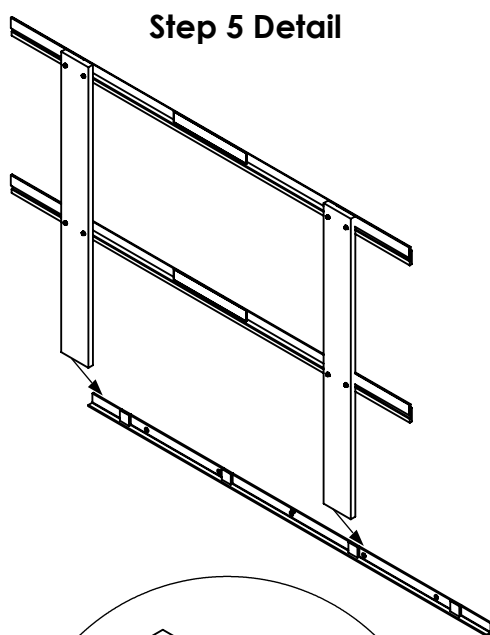
- Power drill
- 3/16" drill bit
- 1/4" drill bit
- Phillips head drill bit
- Flat head screwdriver
- Tape measure
- Level

## Included in box:

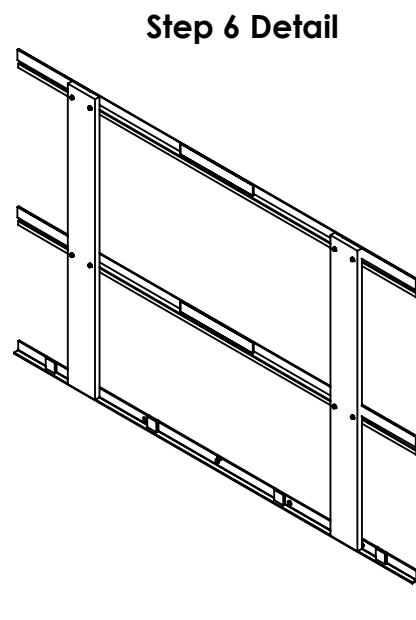
Quantity	Item Description	Image
1	Aria glassboard	
1	Cleat spacer with (2) aluminum cleats	
1	Bottom Support Bracket	
12	#8 1-1/4" pan head screws	
12	Wall anchors for drywall, bricks	
4	Dry erase markers, assorted colors	
1	Magnetic eraser	
4	Rare earth magnets (for magnetic glassboards only)	

## Installation instructions:

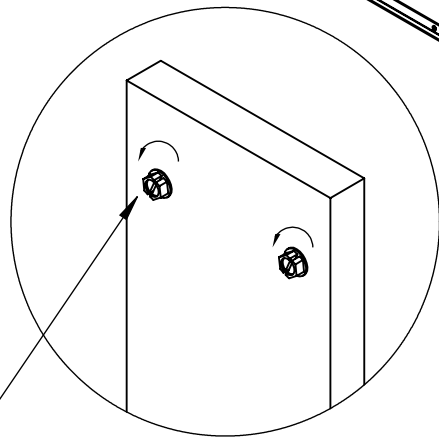
1. Determine where glassboard will be positioned on wall.
2. Locate studs on wall.
3. Center bottom support bracket beneath glassboard mounting location. Note that the bracket length is shorter than glassboard.
4. Level, then screw bottom support bracket to wall. Hit as many studs as possible (minimum of two). Use wall anchors when not hitting studs. Use appropriate hardware for wall construction.
5. Center and place cleat spacer on the horizontal flat of the bottom support bracket.
6. Drill 3/16" pilot holes through aluminum cleats. Hit as many studs as possible.
7. Drill 1/4" pilot holes for wall anchors, if using. Insert wall anchor.
8. With cleat spacer on bottom support bracket, screw aluminum cleats to wall.
9. Unscrew cleat spacer from aluminum cleats.
10. Lift glassboard to the wall above aluminum cleats. Lower onto aluminum cleats.
11. Step back and admire your new Ghent Aria Glassboard!



**Step 5 Detail**

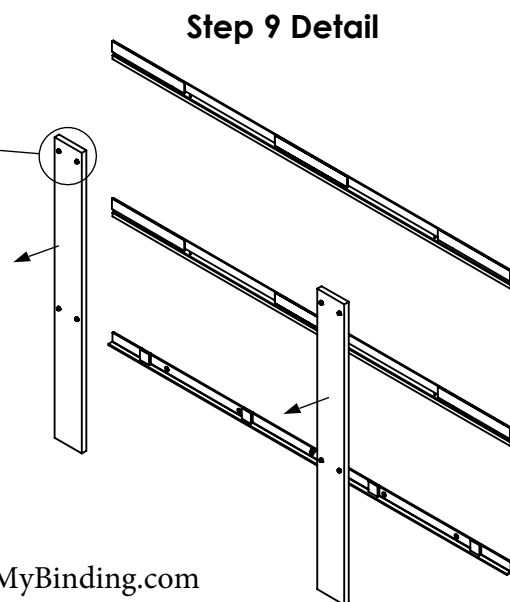


**Step 6 Detail**



### Temporary Screws:

Remove the screws holding the cleat to the cleat spacer after the installation is complete using a flat head screw driver. It is the last step (Step 9) before hanging glass.



**Step 9 Detail**

MyBinding.com  
5500 NE Moore Court  
Hillsboro, OR 97124  
Toll Free: 1-800-944-4573  
Local: 503-640-5920