

# ***Ghent 2' x 3' Blue Harmony Glass Markerboard - Square Corners***

Instruction Manual



Provided by

**MyBinding.com**  
When Image Matters.

Call Us at 1-800-944-4573

# Harmony Premium Glass Markerboards



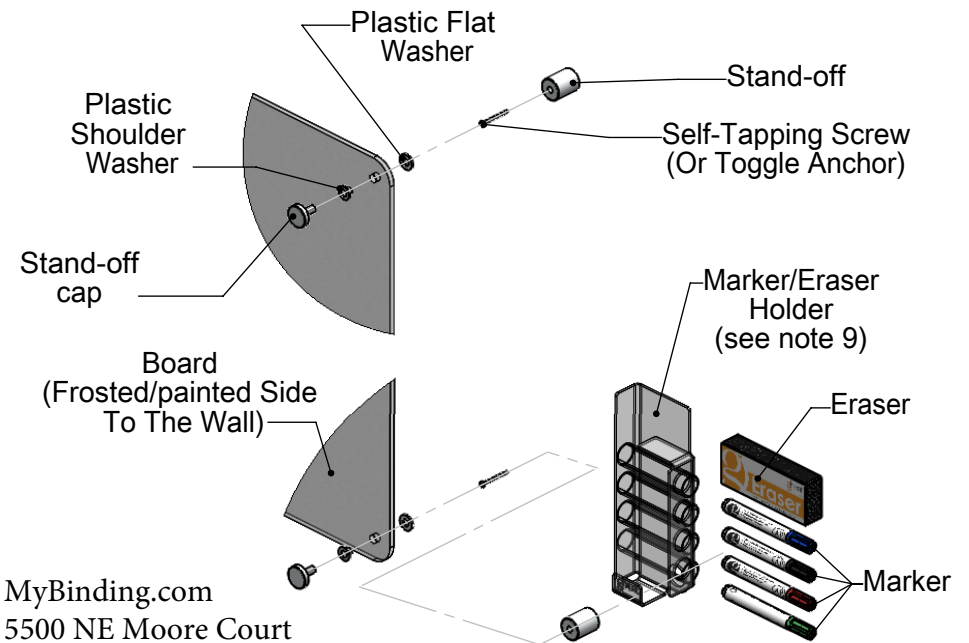
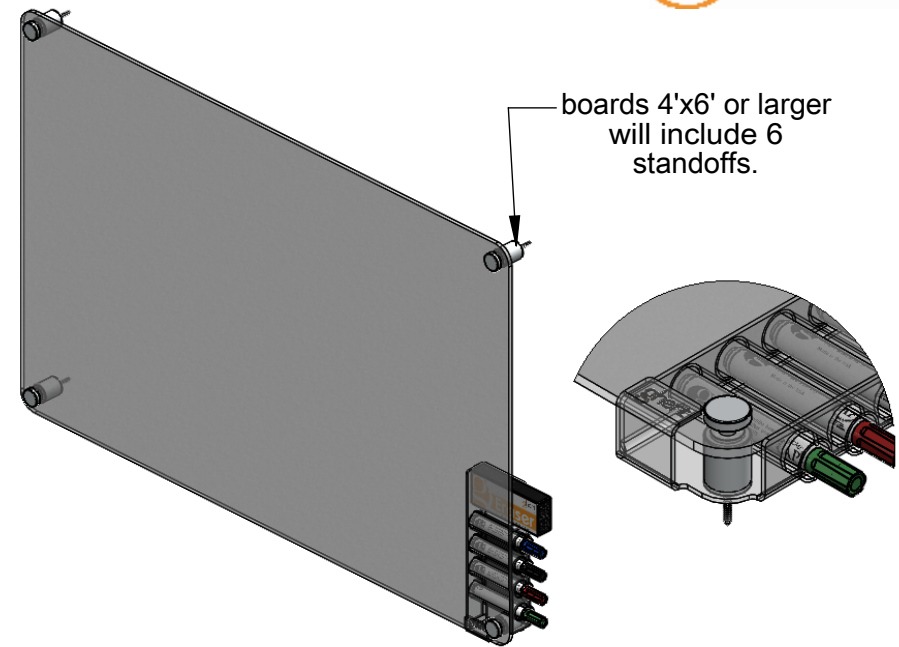
## Mounting Instructions

*For the most secure mounting, the board should be attached directly into wall studs. Ghent has supplied self-tapping screws for mounting into wooded wall studs and toggle anchors when wall studs cannot be used.*

*We also recommend at least three people install the board.*

*Install the board with the frosted/painted side facing the wall.*

- 1.) Place the board up against the wall, at the desired height, and level the board. Using the holes in the board as a template, mark the drilling locations on the wall. Set the board aside.
  - 2.) Insert a self-tapping screw, or toggle anchor, into each stand-off.
  - 3.) Drill 3/32" (2MM) holes for the self-tapping screws, or 7/16" (11MM) holes for the toggle anchors at the marked locations on the wall.
  - 4.) Attached the stand-offs to the wall via the self-tapping screw, or toggle anchors.
  - 5.) Clean both sides of the board.
  - 6.) Install the stand-off caps and the plastic washers into the board as shown.
  - 7.) Place the marker/eraser holder over the bottom right hand stand-off.
  - 8.) Lift the board and align the stand-off caps with the mounted stand-offs. Swing the marker/eraser holder up into the position shown and firmly screw the caps into the stand-offs.
  - 9.) Complete the assembly by loading the markers and eraser into the marker/eraser holder as shown.
- (Note: Not all Harmony Premium Glass boards come with the pictured hardware).*



MyBinding.com  
5500 NE Moore Court  
Hillsboro, OR 97124  
Toll Free: 1-800-944-4573  
Local: 503-640-5920