

Ghent 24" x 18" Patient Room Healthcare Whiteboard with Aluminum Frame

Product Spec Sheet



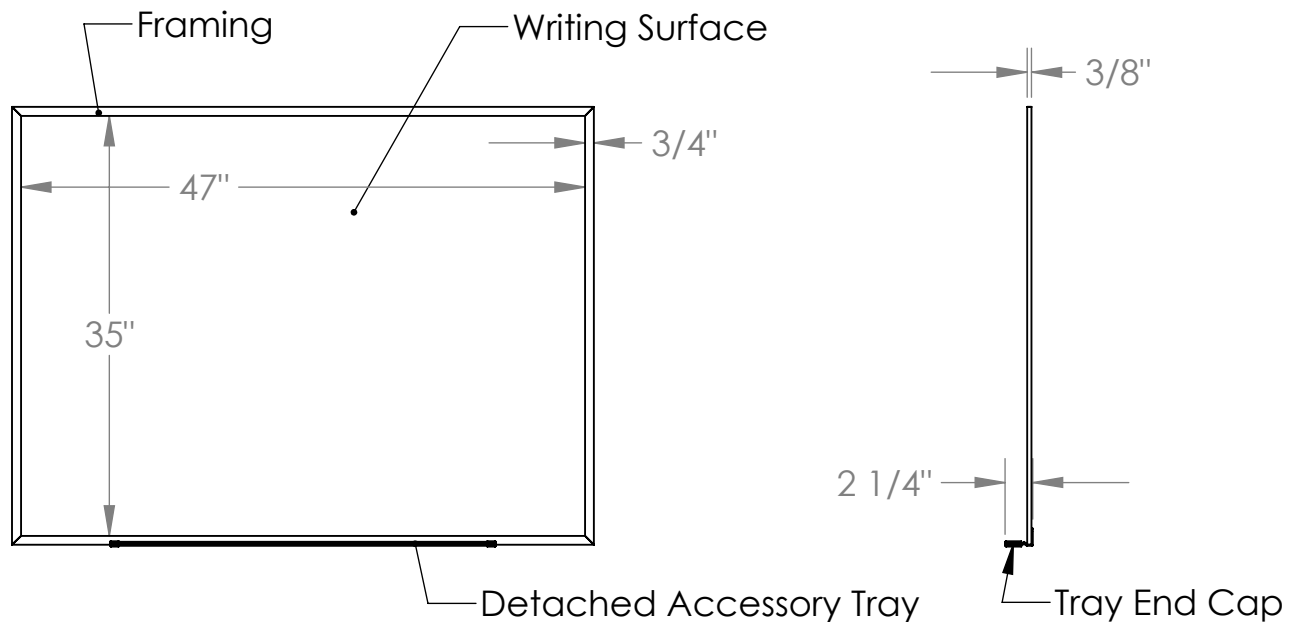
Provided by

MyBinding.com
When Image Matters.

Call Us at 1-800-944-4573

Ghent Graphics Non-Magnetic Whiteboards

Product Specifications



Materials:

- Framing and Detached Accessory Tray: Satin anodized aluminum extrusion
- Writing surface: 6 mil thick coating applied to 1/4" thick hardboard
- Detached Accessory Tray End Caps: Gray thermoplastic

Features:

- Board hangers are included
- A black dry erase marker with marker clip is included with each board
- Available in standard and custom sizes up to 4'H x 8'W
- This board is guaranteed for 10 years

Notes:

- Wall mounting fasteners are not included
- Indoor use only
- Detachable accessory tray is optional

MyBinding.com
5500 NE Moore Court
Hillsboro, OR 97124
Toll Free: 1-800-944-4573
Local: 503-640-5920