

# ***Ghent 3'x 5' Premium Aluminum Frame Cork Bulletin Board***

Product Spec Sheet



*Provided by*

**MyBinding.com**

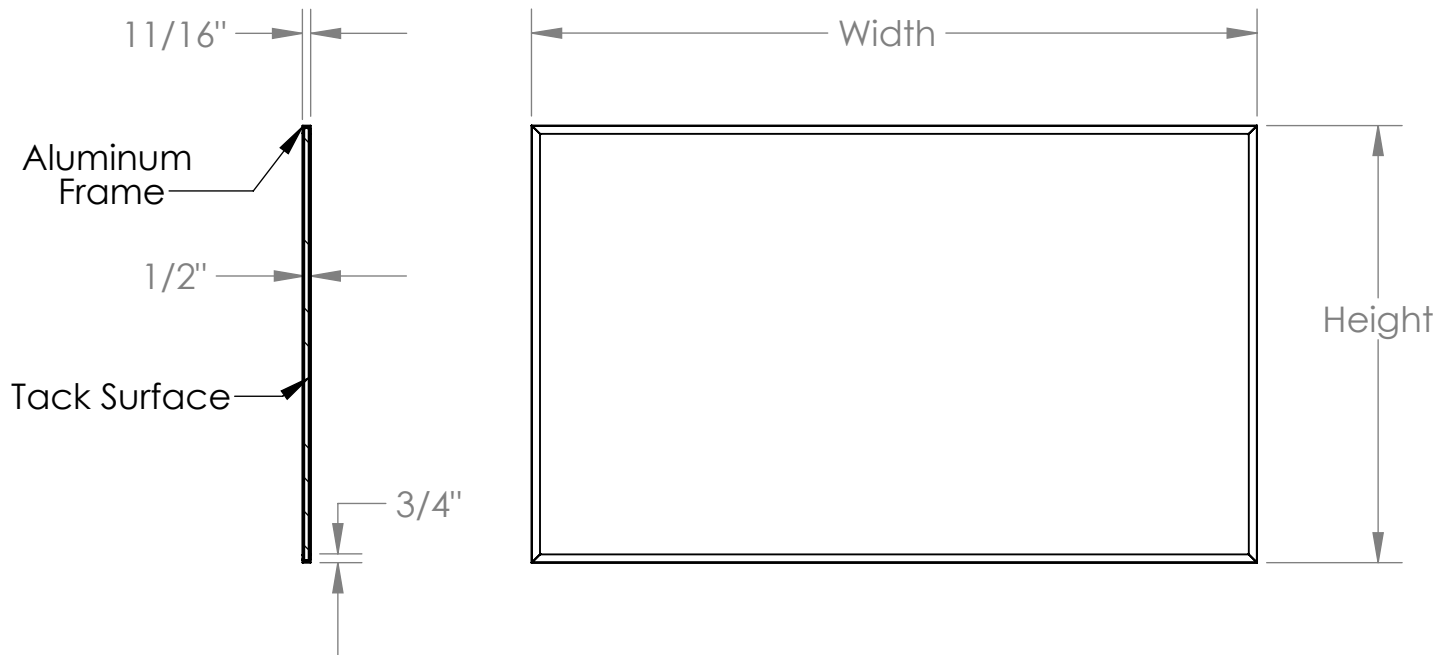
*When Image Matters.*

Call Us at 1-800-944-4573

# 059 Series

Aluminum Framed Premium Bulletin Boards

ghent.



## Materials:

- Framing: Satin anodized 6063-T5 aluminum extrusion.
- Tack surface: 1/8" fine grain natural cork laminated to 3/8" thick fiberboard, with a mylar film backing

## Features:

- Board hangers are included
- Aluminum frame is permanently attached to the tack surface
- Available in the 5 sizes: 3'H x 5'W, 4'H x 4'W, 4'H x 5'W, 4'H x 6'W, 4'H x 8'W
- Board is guaranteed for 10 years

## Notes:

- For indoor use only

MyBinding.com  
5500 NE Moore Court  
Hillsboro, OR 97124  
Toll Free: 1-800-944-4573  
Local: 503-640-5920