

Ghent 36" x 42" Roam Mobile Double-Sided Whiteboard with Satin Aluminum Base

Instruction Manual



Provided by

MyBinding.com

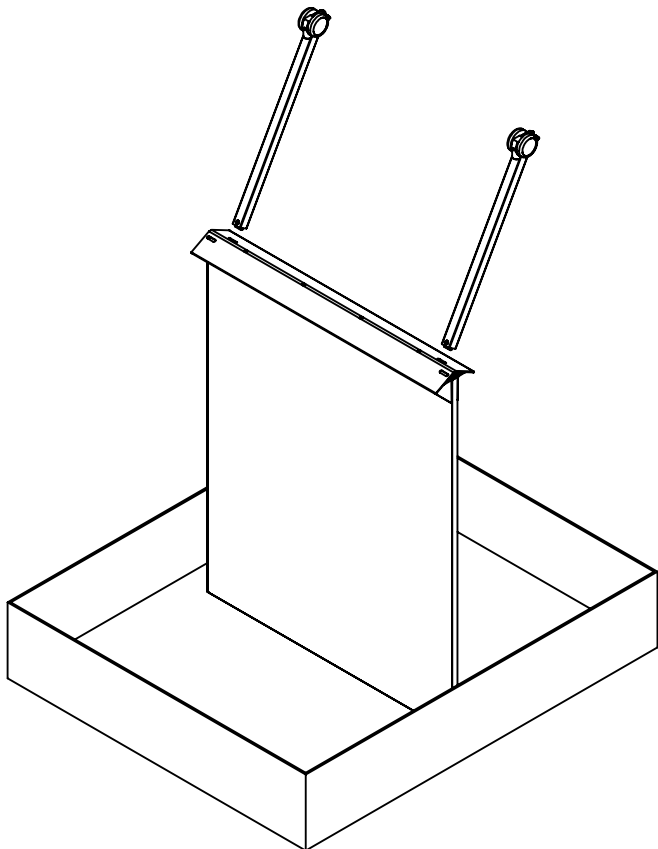
When Image Matters.

Call Us at 1-800-944-4573

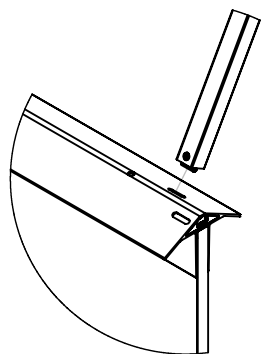
Roam Mobile Whiteboard

Instruction Sheet

Step 1: Placing the board upside down, locate the inside slots of the tray and insert legs.

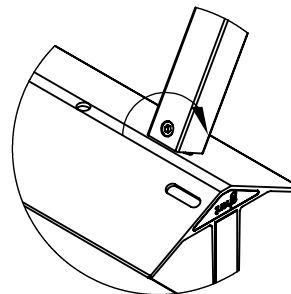


Step 2: Center the legs in the slot for a tight and secure fit.

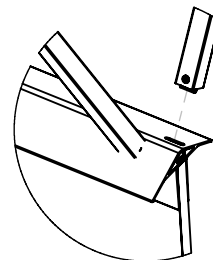


MyBinding.com
5500 NE Moore Court
Hillsboro, OR 97124
Toll Free: 1-800-944-4573
Local: 503-640-5920

Step 3: Use the included wrench to tighten the socket screw. The screw must be completely tightened for a secure leg connection.



Step 4: Repeat steps 1-3 for the outside legs.



Step 5: Once all the legs are securely attached, turn your board rightside up.

