

Ghent VisuALL PC

***Whiteboard Cabinet with Fabric
Bulletin Board Exterior Doors***

Instruction Manual





Provided by

MyBinding.com
When Image Matters.

Call Us at 1-800-944-4573

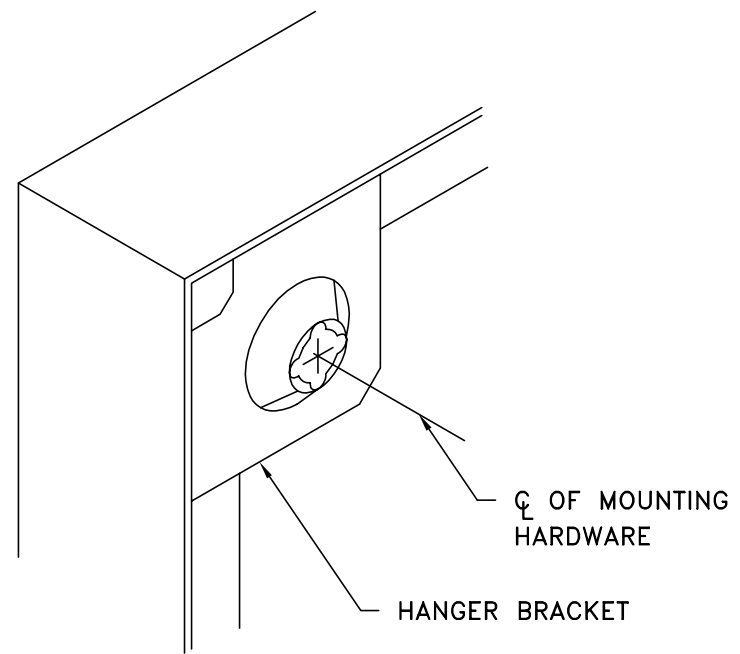
MOUNTING HARDWARE (NOT INCLUDED)


(2) SCREW & PLASTIC WALL PLUG
#10 X 1-1/2"


(2) HOLLOW WALL ANCHOR
#10 X 1-1/2"


(2) SCREW & CONICAL PLASTIC ANCHOR
#10 X 1-1/2"

MAY BE ACQUIRED FROM LOCAL SOURCES



REAR VIEW OF CABINET CORNER

MyBinding.com
5500 NE Moore Court
Hillsboro, OR 97124
Toll Free: 1-800-944-4573
Local: 503-640-5920

FOR THE MOST SECURE MOUNTING OF THE VisuALL PC, USE #10 WOOD SCREWS INSTALLED DIRECTLY TO WOODEN WALL STUDS. WHEN WALL STUDS CAN NOT BE USED, WE RECOMMEND USING EXPANDABLE TYPE WALL ANCHORS (shown above).

1. DETERMINE THE DESIRED MOUNTING HEIGHT OF THE VisuALL PC AND SCRIBE A LEVEL LINE 1-1/2" DOWN FROM THIS LOCATION. POSITION AND MARK THE LOCATIONS FOR (2) MOUNTING HOLES 32-13/16" APART ALONG THE LINE.

TO MOUNT THE VisuALL PC USING #10 WOOD SCREWS INTO STUDS....

- 2a. >DRILL (2) 3/32" HOLES AT THE MOUNTING HOLE LOCATIONS.
>INSTALL SCREWS, ALLOWING THE SCREW HEADS TO PROTRUDE 1/4" MAX. FROM THE WALL.
>LIFT THE VisuALL PC HANGERS OVER THE SCREW HEADS.

TO MOUNT THE VisuALL PC USING EXPANDABLE WALL ANCHORS...

- 2b. >DRILL (2) ANCHOR MOUNTING HOLES AT THE MOUNTING HOLE LOCATIONS, PER THE ANCHOR MANUFACTURES INSTRUCTIONS.
>INSTALL THE ANCHORS INTO THE HOLES PER THE ANCHOR MANUFACTURES INSTRUCTIONS.
>ADJUST THE SCREW HEADS SO THAT THEY PROTRUDE 1/4" MAX. FROM THE WALL.
>LIFT VisuALL PC HANGERS OVER THE SCREW HEADS.

VisuALL PC INSTRUCTION SHEET



IS-0004