

Ghent 3' x 4' Wood Reversible 2 Sided Corkboard

Instruction Manual



Provided by

MyBinding.com
When Image Matters.

Call Us at 1-800-944-4573

ASSEMBLY HARDWARE (INCLUDED)



(4) 2 1/2" BLACK
HEX HEAD SCREWS



(4) 1 1/2" ZINC
FLAT HEAD SCREWS



(4) 3/4" BLACK
ROUND HEAD SCREWS



(2) REVERSING BRACKET
WITH STEM



(2) FLAT
WASHER



(2) BLACK
KNOBS

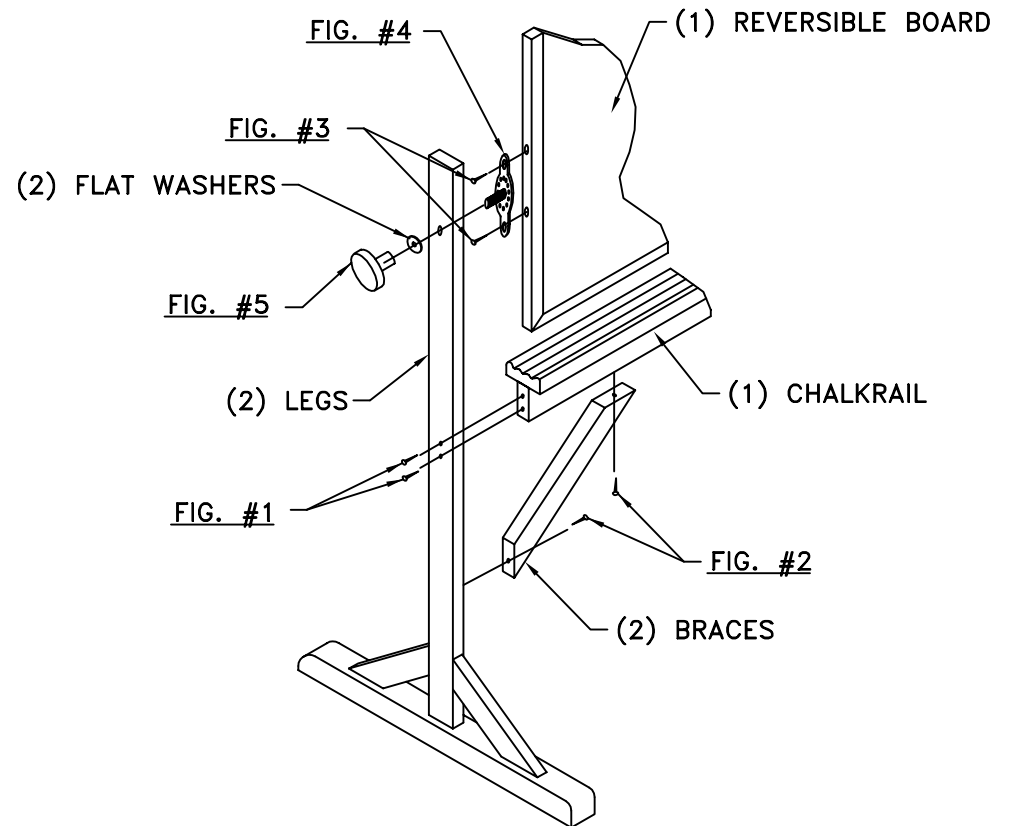
STEP 1: USING (4) 2 1/2" BLACK HEX HEAD SCREWS, FASTEN THE LEGS TO THE CHALKRAIL, MATCHING THE PRE-DRILLED HOLES.(FIG. #1)

STEP 2: USING (4) 1 1/2" ZINC FLAT HEAD SCREWS, ATTACH THE 24" BRACES TO THE LEGS AND CHALKRAIL, AGAIN MATCHING THE PRE-DRILLED HOLES.(FIG #2)

STEP 3: USING (4) 3/4" BLACK ROUND HEAD SCREWS, ATTACH THE REVERSING BRACKET TO BOTH SIDES OF THE BOARD, USING THE PRE-DRILLED HOLES.(FIG. #3)

STEP 4: TO PLACE BOARD ON STAND, PLACE ONE OF THE REVERSING BRACKET STEMS THROUGH THE HOLE IN THE LEG. GENTLY GUIDE THE OTHER STEM THROUGH THE HOLE IN THE OPPOSITE LEG.(FIG. #4)

STEP 5: TO COMPLETE, PLACE THE FLAT WASHER ON THE STEM OF THE REVERSING BRACKET, THEN SCREW ON THE BLACK KNOBS.(FIG. #5)



MyBinding.com
5500 NE Moore Court
Hillsboro, OR 97124
Toll Free: 1-800-944-4573
Local: 503-640-5920

REVERSIBLE BOARD INSTRUCTION SHEET

ghent

ISRB8212G