

3' x 4' Ghent Wood Reversible Markerboard 2 Sided

Product Spec Sheet



Provided by

MyBinding.com
When Image Matters.

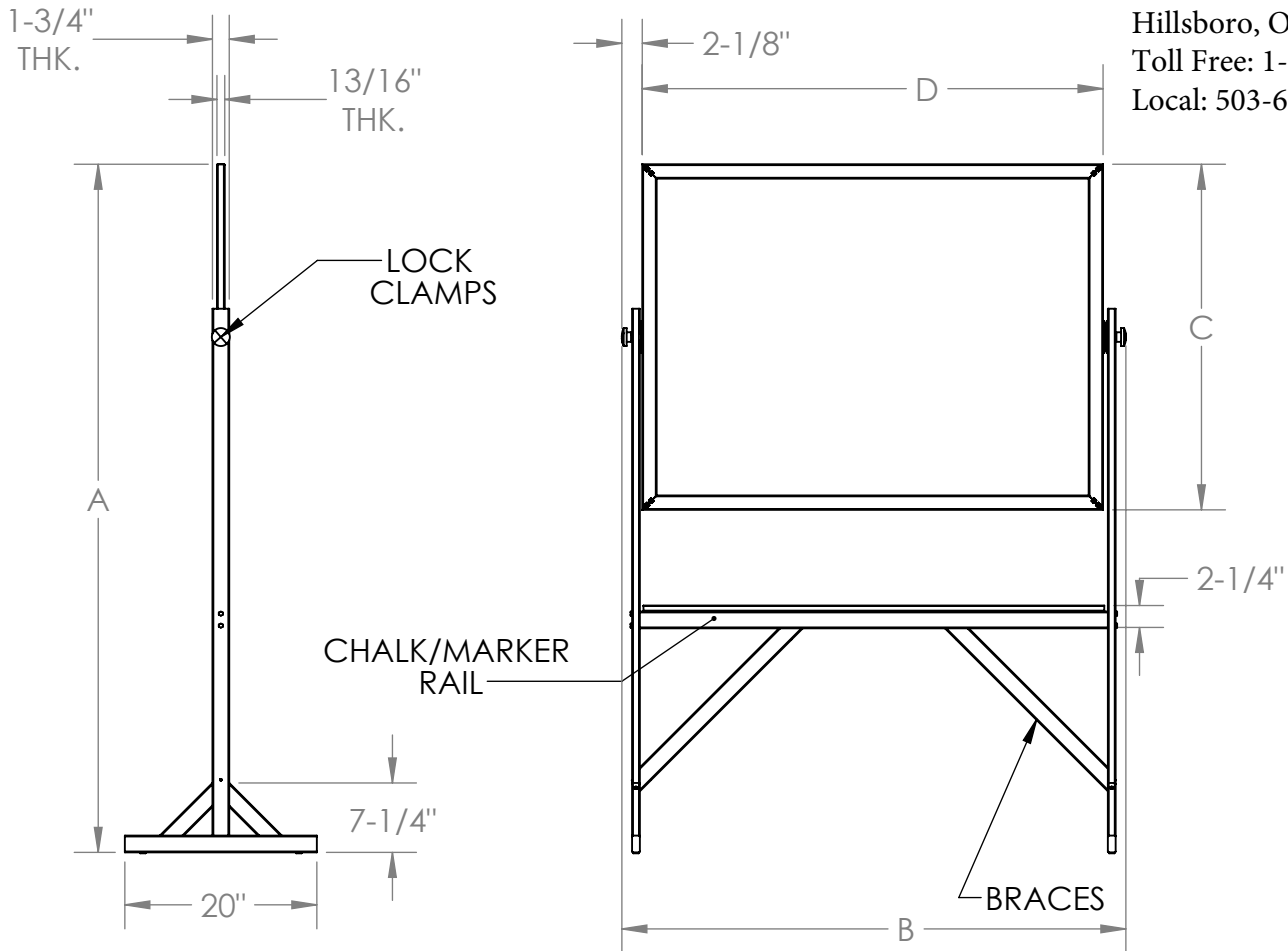
Call Us at 1-800-944-4573

REVERSIBLE BOARDS

WOOD FRAMED

ghent®

MyBinding.com
 5500 NE Moore Court
 Hillsboro, OR 97124
 Toll Free: 1-800-944-4573
 Local: 503-640-5920



MATERIALS:

- Framework: Clear-coated oak
- Board Surfaces: 1/8" whiteboard, 1/8" chalkboard, and natural cork

FEATURES:

- Available in two board sizes: 36"H X 48"W and 48"H X 72"W
- Board surface combinations available: whiteboard / whiteboard, whiteboard / tackboard, tackboard / tackboard, whiteboard / chalkboard.

NOTES:

- Framing permanently attached to board surface.
- Strong steel lock clamps adjust to secure the board in place.
- Each unit includes a full chalk/marker tray and reinforced bracing for reduced swaying.
- All board surfaces are non-magnetic.
- Casters are optional.
- Indoor use only.

ITEM #	A	B	C	D
RKK34, RMK34, RMM34, RMC34-G, RMC34-B	71-3/4"	52-1/2"	36"	48"
RKK46, RMK46, RMM46, RMC46-G, RMC46-B	77-3/4"	76-1/2"	48"	72"