

# ***Ghent 3' x 4' Wood Reversible Markerboard-Corkboard***

Instruction Manual



Provided by

**MyBinding.com**  
When Image Matters.

Call Us at 1-800-944-4573

## ASSEMBLY HARDWARE (INCLUDED)



(4) 2 1/2" BLACK  
HEX HEAD SCREWS



(4) 1 1/2" ZINC  
FLAT HEAD SCREWS



(4) 3/4" BLACK  
ROUND HEAD SCREWS



(2) REVERSING BRACKET  
WITH STEM



(2) FLAT  
WASHER



(2) BLACK  
KNOBS

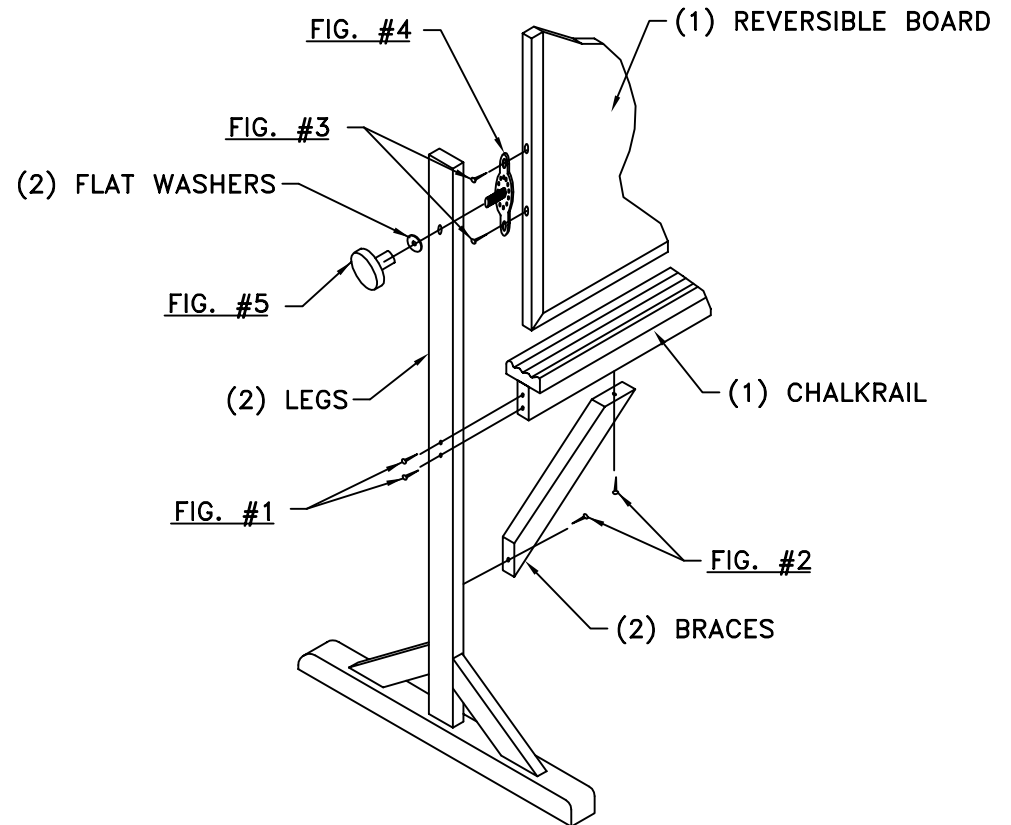
**STEP 1:** USING (4) 2 1/2" BLACK HEX HEAD SCREWS, FASTEN THE LEGS TO THE CHALKRAIL, MATCHING THE PRE-DRILLED HOLES.(FIG. #1)

**STEP 2:** USING (4) 1 1/2" ZINC FLAT HEAD SCREWS, ATTACH THE 24" BRACES TO THE LEGS AND CHALKRAIL, AGAIN MATCHING THE PRE-DRILLED HOLES.(FIG #2)

**STEP 3:** USING (4) 3/4" BLACK ROUND HEAD SCREWS, ATTACH THE REVERSING BRACKET TO BOTH SIDES OF THE BOARD, USING THE PRE-DRILLED HOLES.(FIG. #3)

**STEP 4:** TO PLACE BOARD ON STAND, PLACE ONE OF THE REVERSING BRACKET STEMS THROUGH THE HOLE IN THE LEG. GENTLY GUIDE THE OTHER STEM THROUGH THE HOLE IN THE OPPOSITE LEG.(FIG. #4)

**STEP 5:** TO COMPLETE, PLACE THE FLAT WASHER ON THE STEM OF THE REVERSING BRACKET, THEN SCREW ON THE BLACK KNOBS.(FIG. #5)



MyBinding.com  
5500 NE Moore Court  
Hillsboro, OR 97124  
Toll Free: 1-800-944-4573  
Local: 503-640-5920

# REVERSIBLE BOARD INSTRUCTION SHEET

ghent

**ISRB8212G**