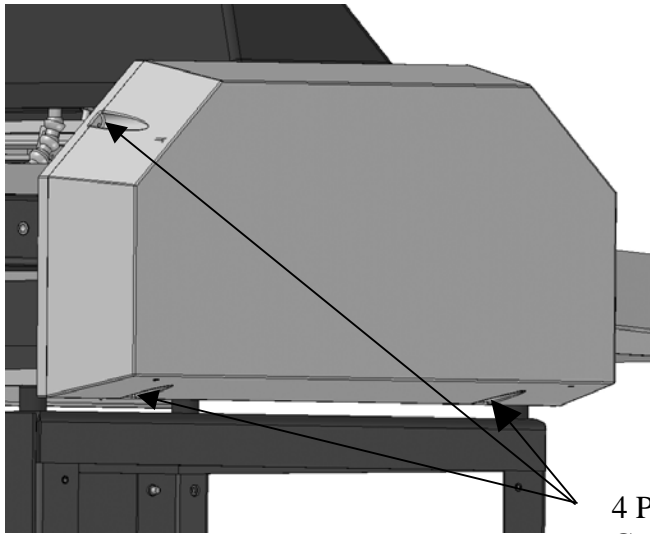


## Graphic Whizard CreaseMaster (Pro, Plus+, Platinum) Technical Bulletin: PLC Battery Replacement.

The PLC controller in the CreaseMaster series of machines requires a battery for backing up the internal program and user programmed jobs and requires replacement for continued operation. The battery in the PLC on all CreaseMaster Models should be replaced **every 2 years**. The battery must be replaced while the **machine is turned ON** or the PLC program will be lost. Failure to replace the battery will lead to the PLC failing and losing its memory. In order to re-program the PLC once the program is lost, a new battery must be installed and then a downloader will be required to transfer the program back into the PLC. Please order part #CMP 006, for a Battery and CMP-100 for the Downloader. ( if required )

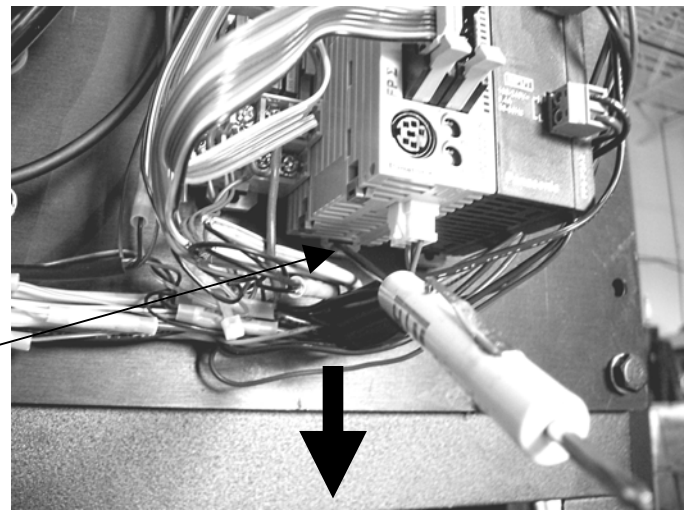


Begin procedure by removing the Non-op side cover.

4 Philips  
Cover Screws

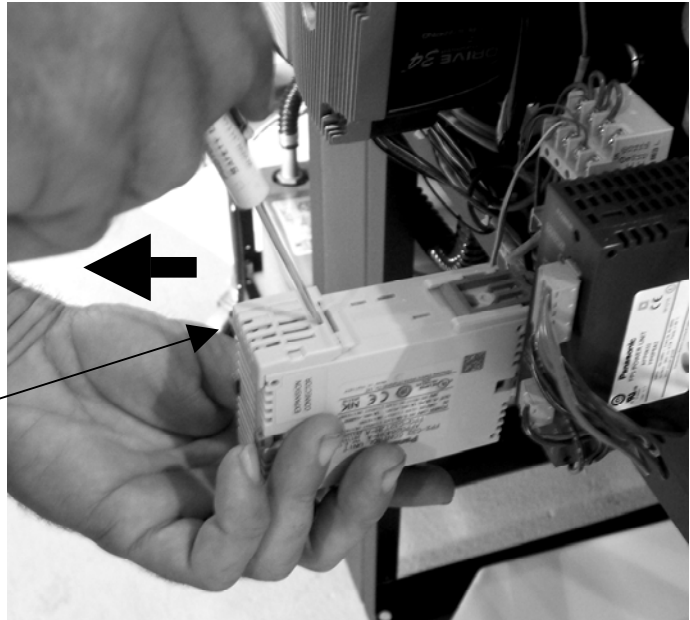
Use a small screwdriver to release the locking tab. Pull the tab down. Once the tab is released, swing the bottom of controller out and lift unit up.

Locking Tab



The battery is located under a cover located at the top rear of the Plc controller. Insert a screwdriver into slot and pry cover off unit

Battery  
Cover



Battery



**With the POWER ON**, unplug the old battery and remove. Replace with new battery. Install the battery cover and place unit back on din rail. Be sure to push locking tab up to lock unit in place. Replace Non-op side cover and unit is ready to continue operation for another 2 years.