

# ***SealerSales W-350L***

***14" x 20" Tabletop L-Bar  
Sealer w/ Film Roller***

**Instruction Manual**



*Provided by*

**MyBinding.com**  
*When Image Matters.*

Call Us at 1-800-944-4573

## TROUBLESHOOTING

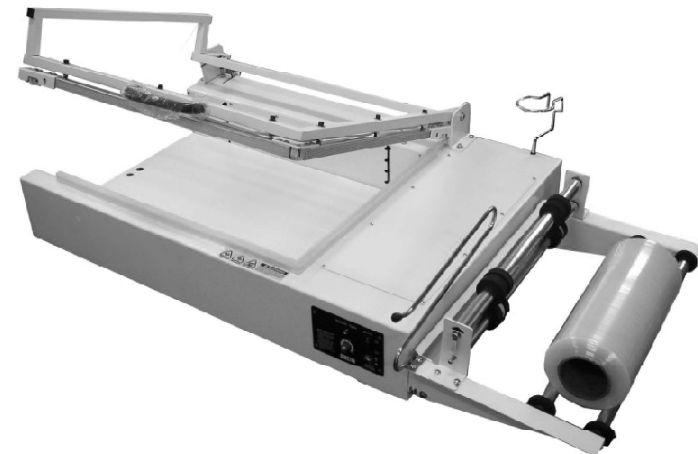
| MALFUNCTIONS  | REASONS   | SUGGESTIONS   |
|---|---|---|
| No sealing<br>Power lamp is off                       | Disconnected plug<br>Power cord is broken<br>Transformer is broken  | Check or change the plug<br>Replace or repair the cord<br>Replace the transformer                         |
| No sealing<br>Power lamp is on<br>Sealing lamp is on  | Heater (heating element) is broken<br>Spring hook our mounting spring is loose or in poor contact<br>Terminals of the heating element are in poor contact | Replace the heater<br>Clean or tighten spring hook connection<br>Clean the terminals and adjust if needed |
| No sealing<br>Power lamp is on<br>Sealing lamp is off | Microswitch is activated<br>Defective microswitch   | Adjust the microswitch lever<br>Adjust the microswitch position<br>Replace the microswitch                |
| Teflon cloth burn                                     | Timer malfunction<br>Prolonged heating time   | Replace timer or relay<br>Decrease the timer setting  |
| Heating wire breaks                                   | Worn Teflon adhesive  | Replace the Teflon adhesive   |
| Seal is wrinkled                                      | Heating timer is set too high<br>Cooling time is not enough   | Lower the timer setting<br>Continue pressing the upper lever for 1-2 seconds after the light goes off     |
| Imperfect seal  | Worn Teflon cloth<br>Worn silicone rubber   | Replace Teflon cloth<br>Replace silicone rubber   |
| Broken seal   | Prolonged sealing time  | Decrease timer setting  |
| Non-full-weld seal                                    | Sealing time is too short   | Increase sealing time   |
| Seal sticking   | Dirty Teflon cloth<br>Dirty sealing bar   | Clean the Teflon cover<br>Clean the silicone rubber sealing bar   |

# L- BAR IMPULSE SEALER

OPERATING INSTRUCTIONS

MODEL

W-350L, W-500L, W-650L



## SPECIFICATIONS

| Model          | W-350L     | W-500L     | W-650L     |
|----------------|------------|------------|------------|
| Power          | 110V/1000W | 110V/1900W | 110V/2800W |
| Sealing Length | 14" x 20"  | 20" x 26"  | 26" x 31"  |
| Seal Type      | Round      | Round      | Round      |
| Weight (lbs)   | 80, 18     | 98, 21     | 116, 22    |

## OPERATING INSTRUCTIONS

Before operating, check the heating element, Teflon cover, Teflon adhesive and sealing pad (silicone rubber).

1. Set the Power Switch to the **ON** position.
2. Adjust the timer setting according to the thickness of the sealing material. **Note: Always start with the lowest setting and gradually increase to the correct setting.**
3. Pull the film to be sealed in between the base and sealing jaw.
4. Place the object to be sealed between the sheets of film.
5. Press the sealing bar down and seal.
6. Wait 2-3 seconds to allow the seal to set and lift the handle.
7. Seal the opening of the film.
8. Use the heat gun to shrink the film evenly.

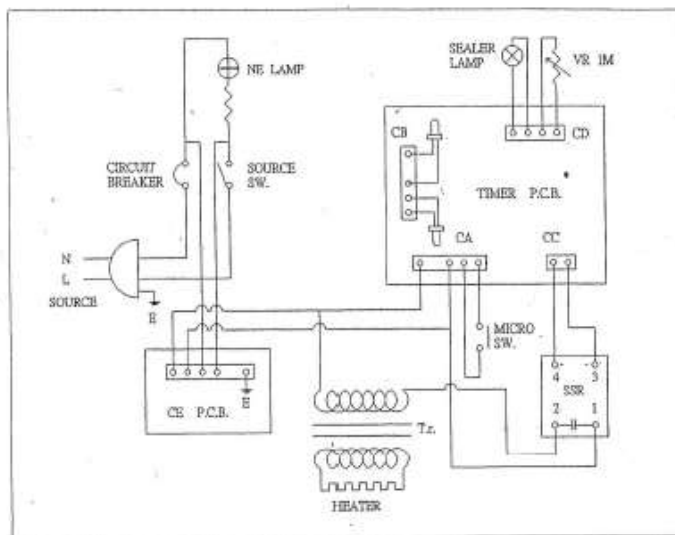
## IMPORTANT POINTS TO REMEMBER

- **Read** all instructions before use. Save these instructions for later use.
- **Follow** all warnings and instructions marked on the product.
- **Unplug** this product from the power source before cleaning and/or changing any parts
- Do not rest anything on the power cord. Do not place the machine where the power cord may be stepped on or pulled.
- Always **keep out** of reach of **children** and pets.
- This sealer should only be in use with an **operator** in attendance.
- **Never insert** clothing, hands, fingers between the sealing jaws of sealers.
- **Never touch** the heating elements with bare hands while the sealer is plugged into a power source, or in operation, or just finished operation. It will be **HOT**.
- Be sure to **check** for **worn parts** before starting operation.
- Do not operate with a **damaged power cord** or plug.
- Always keep the unit **clean**. Do not use water. Silicone spray may be used to clean the unit. Be sure the unit is unplugged from the power source before cleaning.
- When changing **blade** (for sealers with cutters), be **careful** of the sharp edge.
- When changing the teflon adhesive, be sure the entire surface under the **heating element** is covered with a teflon adhesive. Bend down the excess teflon adhesive on both ends. This prevents the heating element from breaking and the machine from **grounding**.
- When replacing the **fuse**, be sure the exact voltage and ampere is used.
- Be sure to keep a record of your model number. Specify this number when ordering parts.
- When replacing any parts, be sure to **mark down** the exact locations of the connections.

## ADDITIONAL INFORMATION

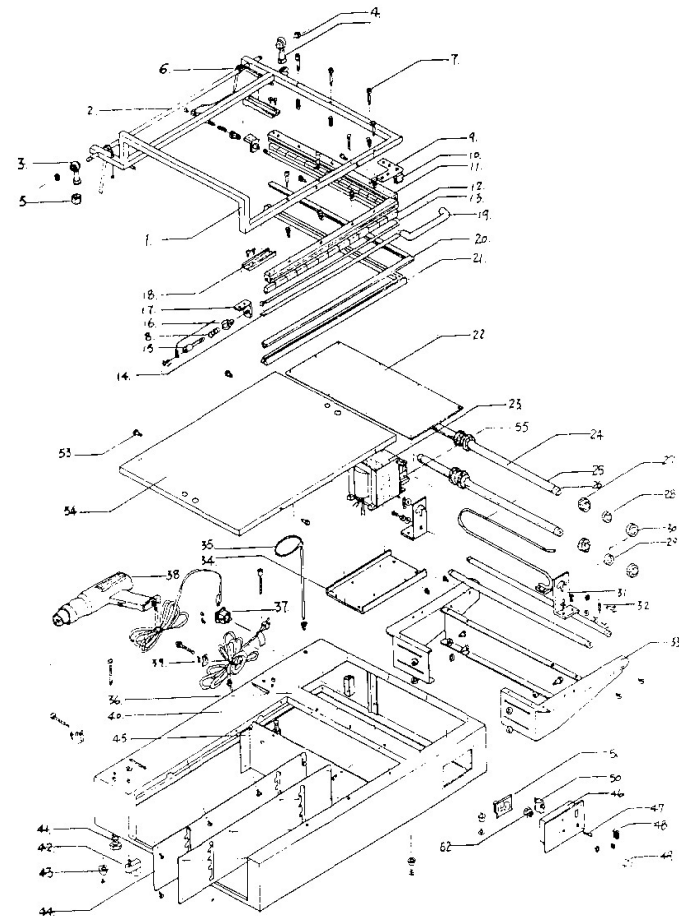
- Always unplug the unit from the power source before attempting any maintenance.
- Always keep the sealing platform clean and remove any residue found on the platform and Teflon tape. Silicone spray may be used for this purpose.
- When replacing the Heating Element, always check the condition of the Teflon Tape.
- Occasionally check the condition of the Silicone Rubber for wear and burn. A damaged or worn Silicone Rubber will affect the quality of the seal.

## CONNECTION DIAGRAM



## PARTS DIAGRAM

Contact your distributor for spare parts diagram.



W-300L 14" x 20" L-Bar Sealer  
 W-500L 20" x 26" L-Bar Sealer  
 W-600L 26" x 31" L-Bar Sealer