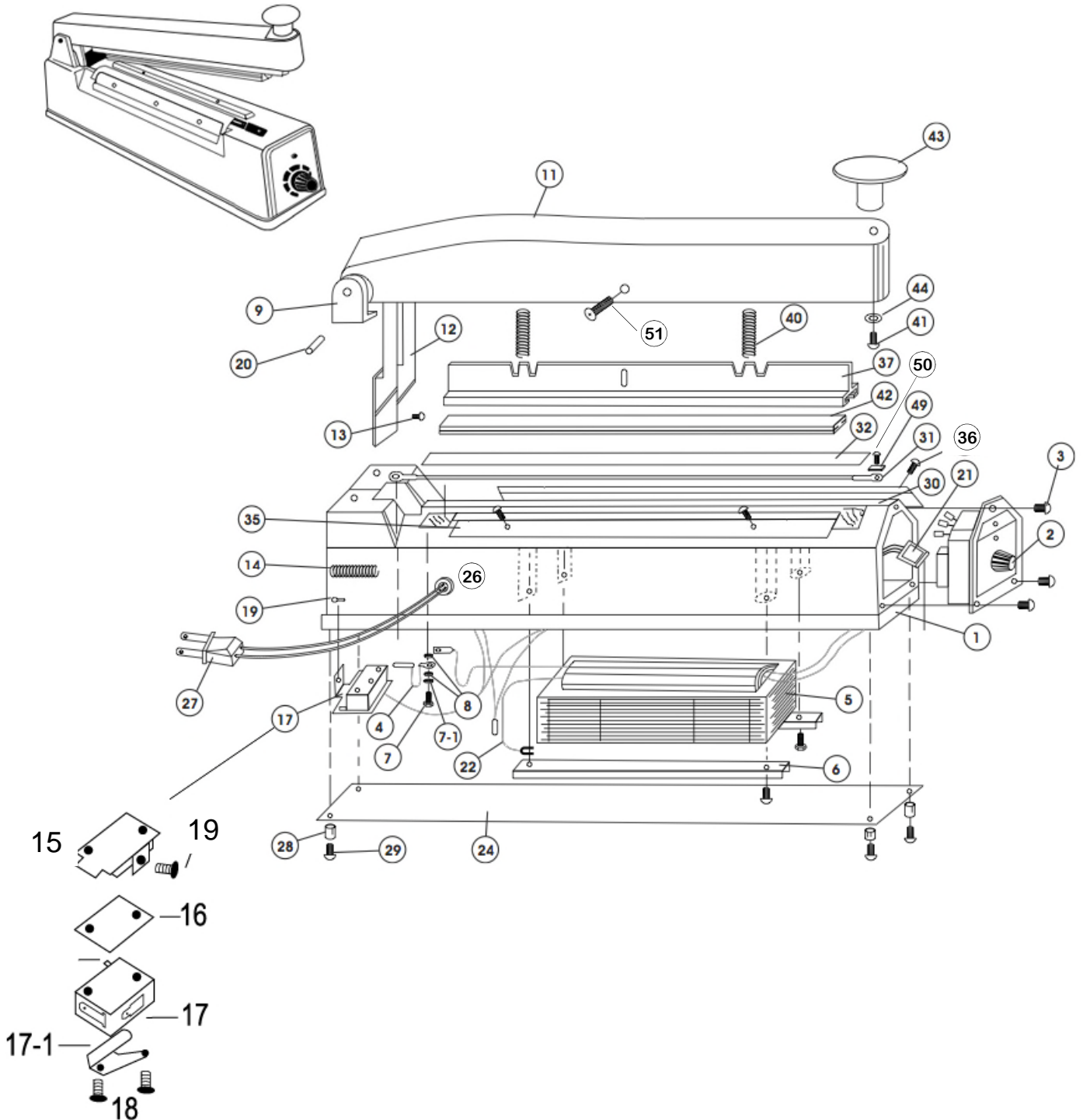


■ Hand Sealers
(KF-100H, 200H, 300H, 305H, 400H, 405H, 520H, 525H)
Spare Parts **DIAGRAM**



MyBinding.com
 5500 NE Moore Court
 Hillsboro, OR 97124
 Toll Free: 1-800-944-4573
 Local: 503-640-5920

■ Hand Sealers

(KF-100H, 200H, 300H, 305H, 400H, 405H, 520H, 525H)

Spare Parts D I A G R A M

KF HAND SEALERS				
Last Updated: 10/09/13				KF-HC
NEW #	OLD	Description		PART #
* Parts Number in the Manual				
^^ Indicates part is interchangeable with corresponding CUTTER sealers				
1	25	Body		
2	23	Timer	T-KFH	
2a		Timer Knob		^^KFHC-2a
3	20	Screw for Timer		^^ KFHC-3
4	40	Bow Spring (Shorter than KFHC)	MS-KFH	
4a	40a	Heater Terminal Assembly (includes Parts 4, 7, 7-1, 8, 8a, 8b)	HTA-KFH	
5	31	Transformer *19	TRNS-	^^ TRNS-KF-
6	32	Transformer Pressboard *21 (8", 12", 16") (20")		^^ KFHC-6 / KFHC-6-500
6a	33	Screw and Washer for Transformer		^^ KFHC-6a
7	45	Screw		^^ KFHC-7
7-1	43	Metal Washer, HA-7		^^ KFHC-7-1
8	42	Convex Bakelite, HA-6		^^ KFHC-8
8a	41	Brass Contact		^^ KFHC-8a
8b	39	Insulating Washer		^^ KFHC-8b
9	14	Fixed Seat of Handle, Hinge Bracket *3	KFH-9	
10	15	Screw Hexagon Nut (12", 16", 20") (sealer has 2 sets)		^^ KFHC-10
10a	16	Spring Washer		
11	3	Handle, Pressure Arm *2		
12	36	Microswitch Lever / Arm Operating Bracket	KFH-12 (for -300, -400, -500)	
13	37	Microswitch Adjusting Screw		
14	50	Microswitch Lever Spring, Arm Return Spring *14		^^ KFHC-14
15	54	Microswitch Bracket *5		^^ KFHC-15
16	53	Microswitch Insulating Plate	KFHC-16	^^ KFHC-16
17	52	Microswitch *17	MSW-KFH	^^ MSW-KF
17-1		Microswitch Spring Plate		^^ KFHC-17-1
18		Microswitch Assembled Screw and Washer		^^ KFHC-18
19	51	Screw for Microswitch	KFHC-19	^^ KFHC-19
20	30	Fixed Pole of Handle, Hinge Pin	KFH-20	
20a	17	Fixed Shaft Linear of Handle	KFH-20a	
21	24	Connector		^^ KFHC-21
22		Earth Wire		^^
23		Earth Wire Nut Washer		^^
24	56	Bottom Plate, Cover Plate, Guard Plate*20		
26	48	Bushing, Cable Restraint		^^ KFHC-26
27	49	Power Cord *15	PWC-KF	^^ PWC-KF
28	46	Rubber Foot *22 (8"), (12", 16", 20")		^^ KFHC-28
29	47	Screw for Rubber Foot		^^ KFHC-29
30	13	PTFE Adhesive, Bottom Barrier Tape *13	TA-	^^
31	10	Heating Element (item 9)	HE-	
32	12	PTFE Cover, Upper Barrier Tape *8	TC-	^^
35	26	PTFE Cover Plate *10		
36	27	Screw for PTFE Cover Plate		^^ KFHC-36
37	6	Silicon Rubber Holder, Pressure Plate *6		
40	5	Silicon Rubber Holder Spring *4 (8") (12", 16", 20")		
41	4	Sealing Bar Return Spring / Screw for Handle		^^ KFHC-41
42	7	Silicon Rubber, Pressure Pad *7	SR-	
43	1	Handle Button, Pressure Arm Handle *1		^^ KFHC-43
44	1a	Handle Knob Washer		^^ KFHC-44
49		Heating Element Cover (Larger than on KFHC sealers)	KFH-49	
50	8	Heating Element Cover Screw and Washer	KFH-50	
51	2	Screw Mounting Pivot		
52	58	Box w/foam BOX		
53	58a	Box only		

MyBinding.com
 5500 NE Moore Court
 Hillsboro, OR 97124
 Toll Free: 1-800-944-4573
 Local: 503-640-5920