

SealerSales KF-210HC
8" Hand Impulse Sealer w/ Sliding
Cutter (10mm Seal Width)

Parts List

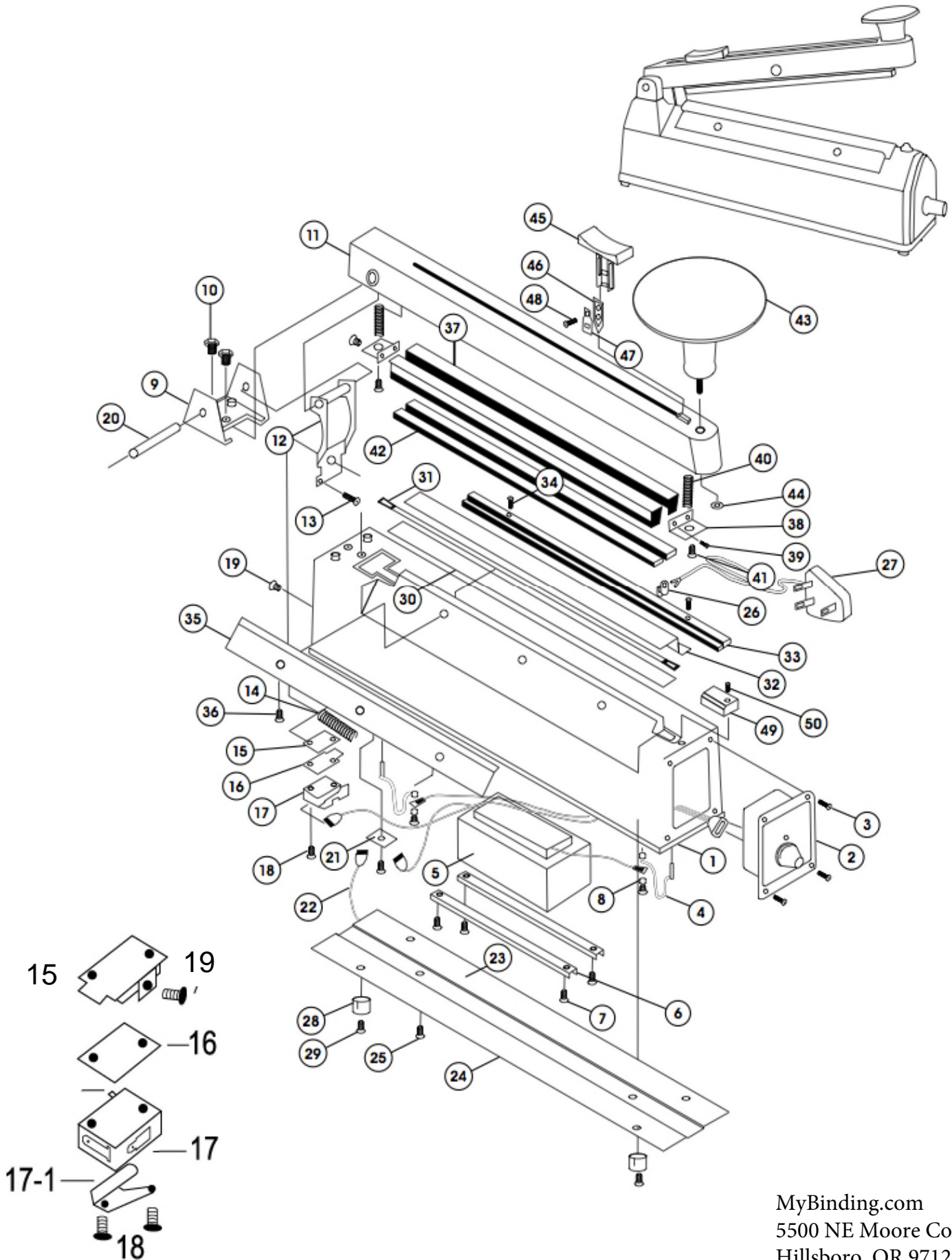


Provided by

MyBinding.com
When Image Matters.

Call Us at 1-800-944-4573

■ **KF Hand Sealers w/ Cutter**
(200HC, 205HC, 300HC, 305HC, 400HC, 405HC, 500, 505HC)
Spare Parts D I A G R A M



MyBinding.com
5500 NE Moore Court
Hillsboro, OR 97124
Toll Free: 1-800-944-4573
Local: 503-640-5920

■ KF Hand Sealers w/ Cutter

(200HC, 205HC, 300HC, 305HC, 400HC, 405HC, 500, 505HC)

Spare Parts DIAGRAM

KF HAND SEALER W/ CUTTER					
Last Updated: 10/09/13					
No.	Description		No.	Description	
	REPLACEMENT KITS Includes (2) elements, (2) PTFE cover, (2) PTFE adhesives, and (1) blade	RK-			
1	Body		27	Power Cord	PWC-KF
2	Timer	T-KFHC	28	Rubber Foot w/screw (8" (12", 16", 20"))	KFHC-28
2a	Timer Knob	KFHC-2a	29	Rubber Foot Screw	KFHC-29
3	Screw		30	Lower PTFE Adhesive	TA-
4	Bow Spring (Longer than KFHC)	MS-KFHC	31	Heating Element 2mm	HE-
4a	Heater Terminal Assembly (includes 4, 7, 7-1, 8, 8a, 8b)	HTA-KFHC		Heating Element 5mm	HE-
5	Transformer	TRNS-		Heating Element 10mm	HE-
5a	Transformer, 5mm		32	Upper PTFE	TC-
6	Transformer Bracket (8", 12", 16") (20")	KFHC-6 / KFHC-6-500	33	PTFE Plate	
6a	Screw and Washer for Transformer	KFHC-6a	34	PTFE Plate Screw	KFHC-50
7	Screw		35	PTFE Fixed Plate / PTFE Cover Plate	
7-1	Spring Washer		36	PTFE Fixed Plate Screw	
8	Plastic Washer Convex Bakelite	KFHC-8	37	Sealing Bar, Silicone Rubber Holder	
8a	Brass Contact	KFHC-8a	38	Sealing Bar Fixed Bracket	KFHC-38
8b	Insulating Washer	KFHC-8b	39	Sealing Bar Fixed Bracket Screw	
9	Hinge Bracket w/ Plate	KFHC-9	40	Sealing Bar Return Spring	KFHC-40
10	Screw / Hexagon Nut (Cutter uses 3 sets)	KFHC-10	41	Sealing Bar Return Spring Screw	KFHC-41
11	Arm		42	Silicone Rubber	SR-
12	Arm Operating Bracket		42a	Silicone Rubber, Black, 8"	
13	Microswitch Adjusting Screw		42b	Silicone Rubber / Sealing Pad Pair	
14	Arm Return Spring / MSW Spring	KFHC-14	43	Handle Knob with Screw attached	KFHC-43
15	Microswitch Bracket	KFHC-15	44	Handle Knob Washer	KFHC-44
16	Insulated Plate	KFHC-16	45	Blade Holder	CB-KF
17	Microswitch	MSW-KF	45a	Blade Holder with Blade	CBB-KF
17-1	Microswitch Spring Plate	KFHC-17-1	46	Cutter Blade	B-KF
18	Microswitch Assembled Screw	KFHC-18	47	Blade Fixed Plate	
19	Microswitch Fixed Screw	KFHC-19	48	Blade Fixed Screw	
20	Hinge Pin	KFHC-20	48-1	Blade Fixed Screw Nut	
21	Wire Connector	KFHC-21	49	Heating Element Cover	KFHC-49
22	Earth Wire		50	Heating Element Cover Screw	KFHC-50
23	Earth Wire Nut Washer		50a	Sealing Alignment (Male/Female) for KFHC-500series	
24	Base Plate		51	Screw Mounting Pivot	
25	Earth Wire Screw		52	Box	
26	Bushing	KFHC-26			

MyBinding.com
 5500 NE Moore Court
 Hillsboro, OR 97124
 Toll Free: 1-800-944-4573
 Local: 503-640-5920