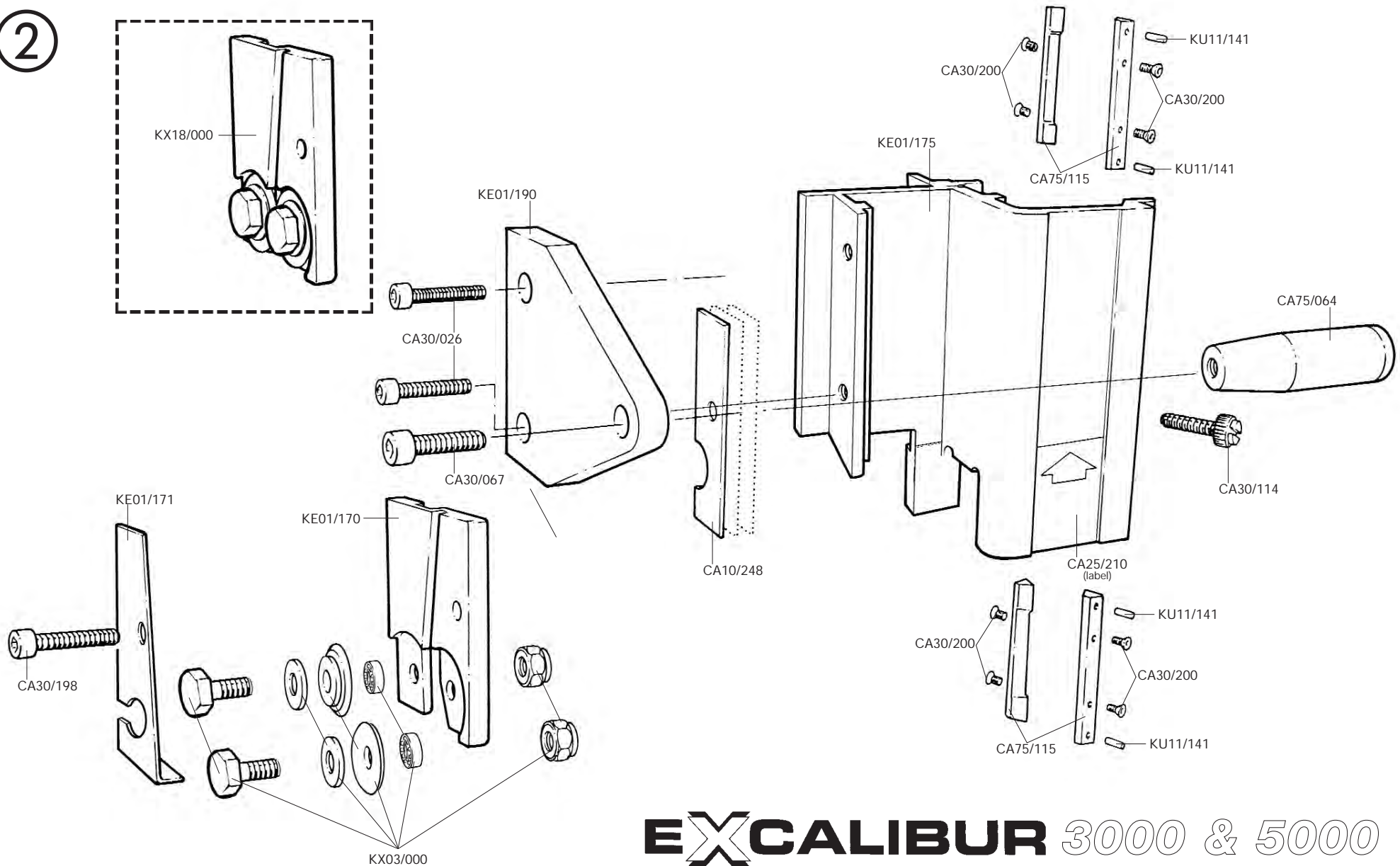


KEENCUT TWIN WHEEL CUTTER HEAD

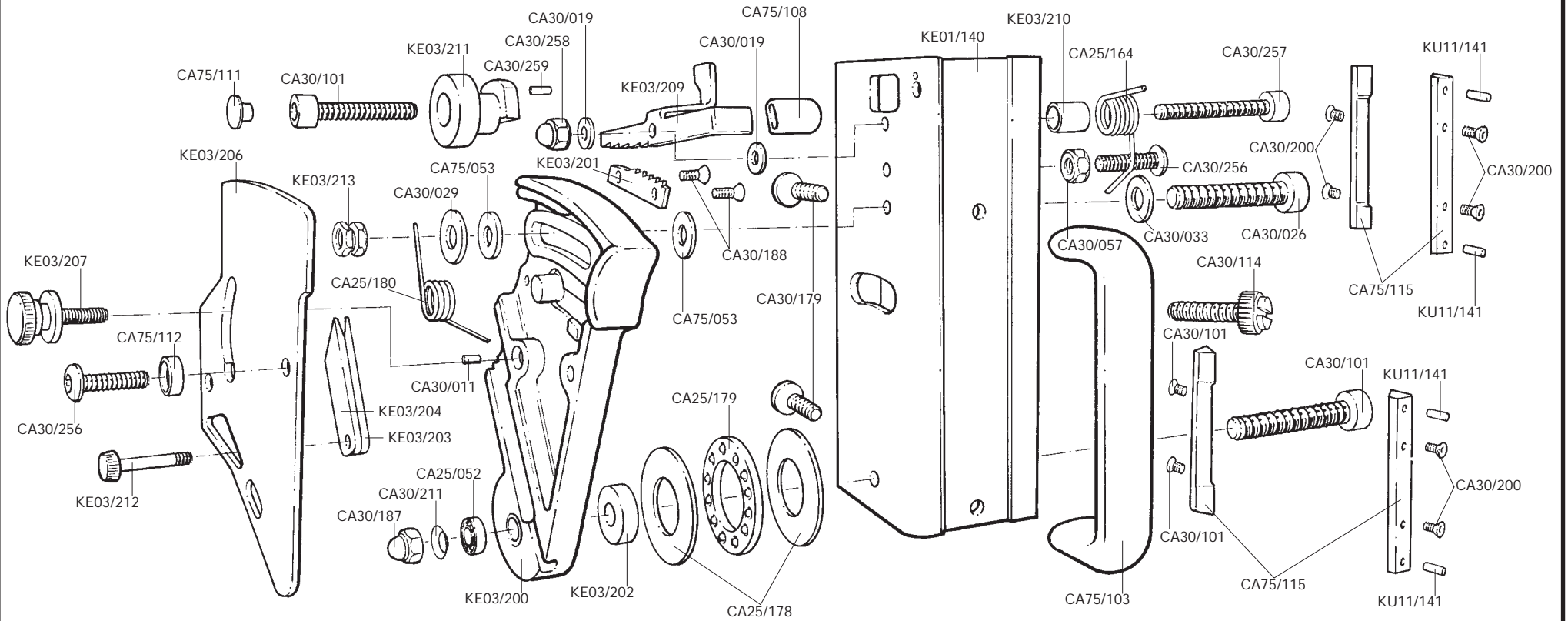
2



EXCALIBUR 3000 & 5000

KEENCUT SINGLE TOOL CUTTER HEAD

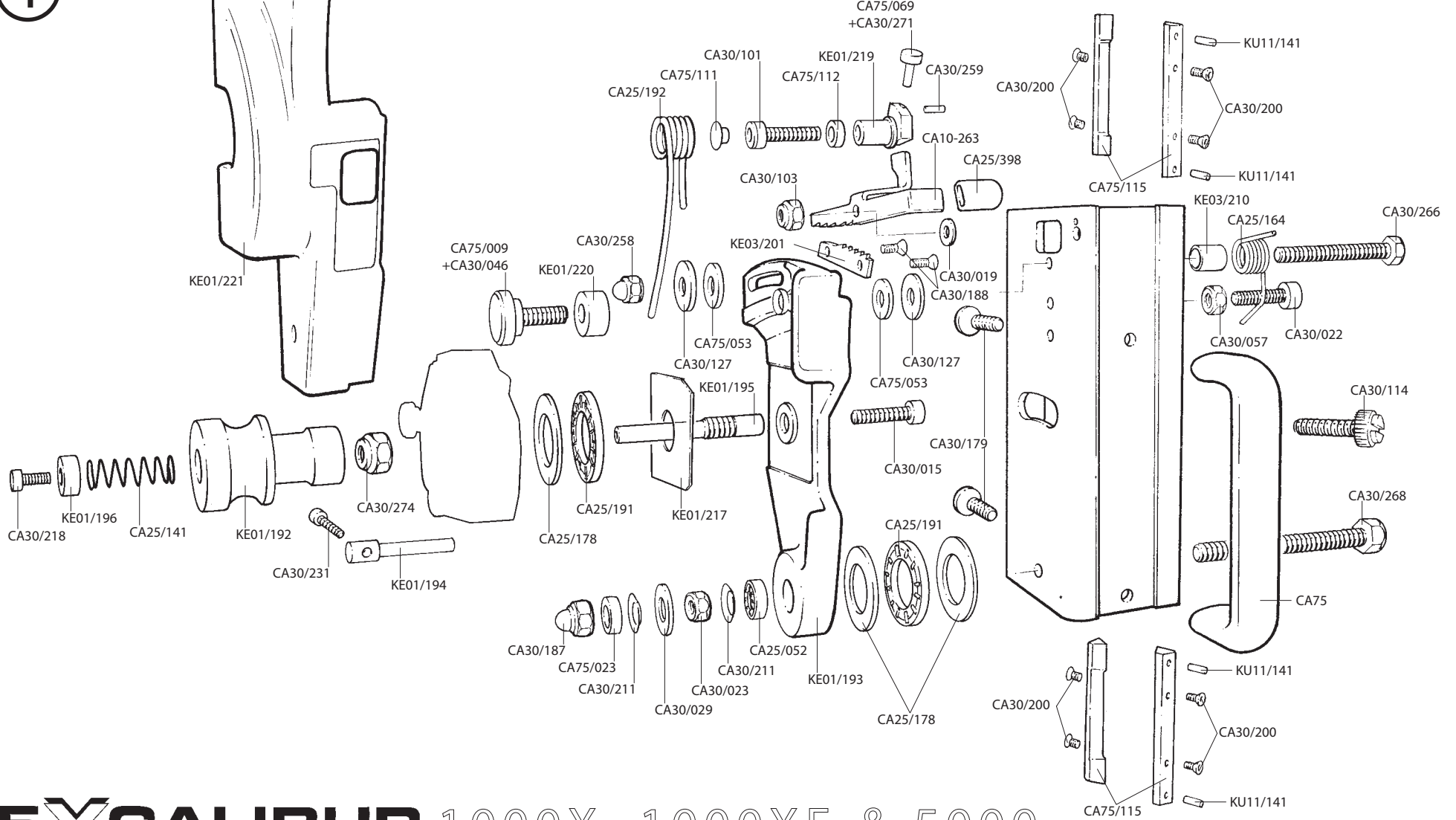
3



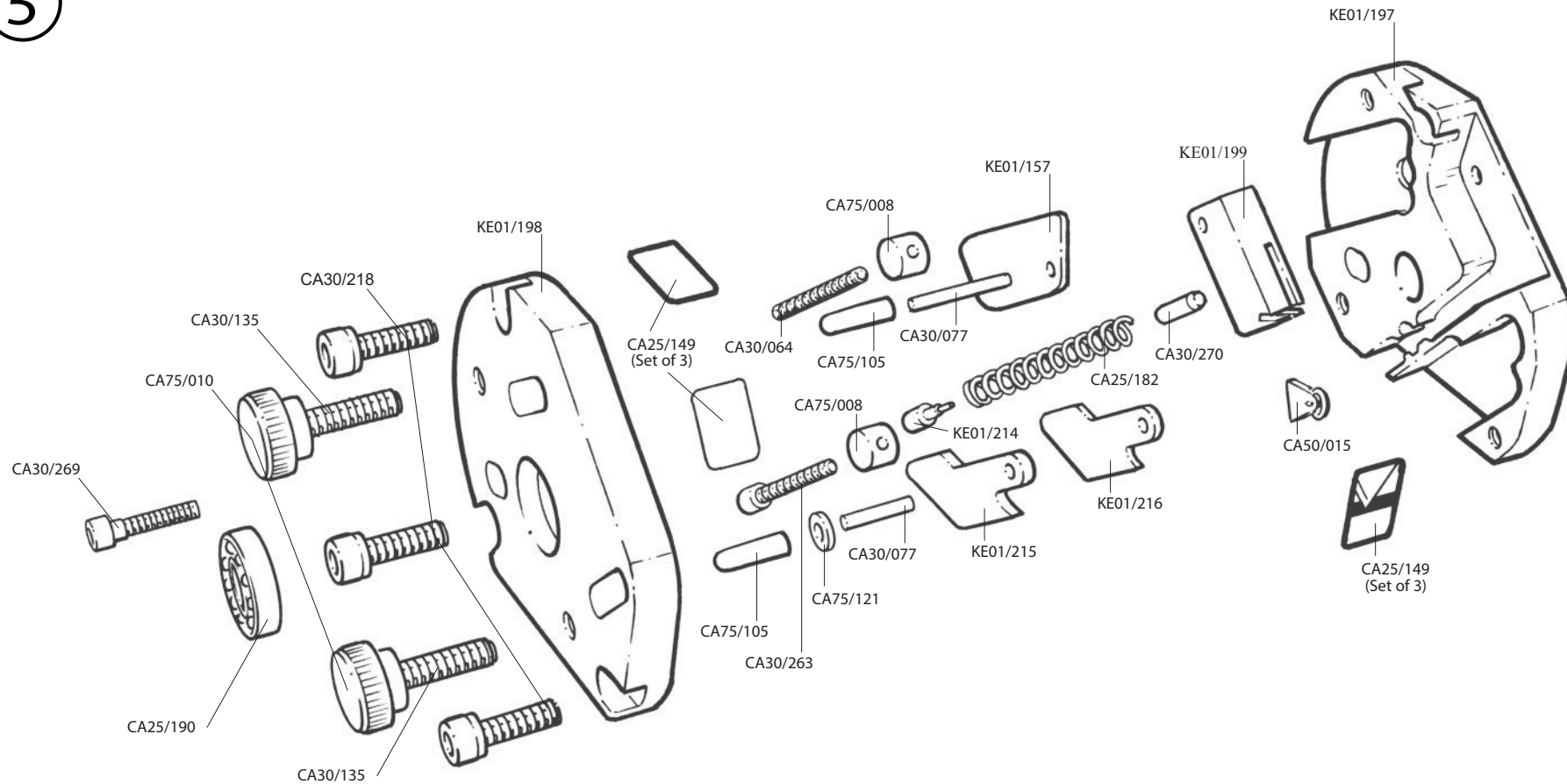
EXCALIBUR 1000 & 3000
(Pre 2008)

MULTI - CUTTER HEAD

4



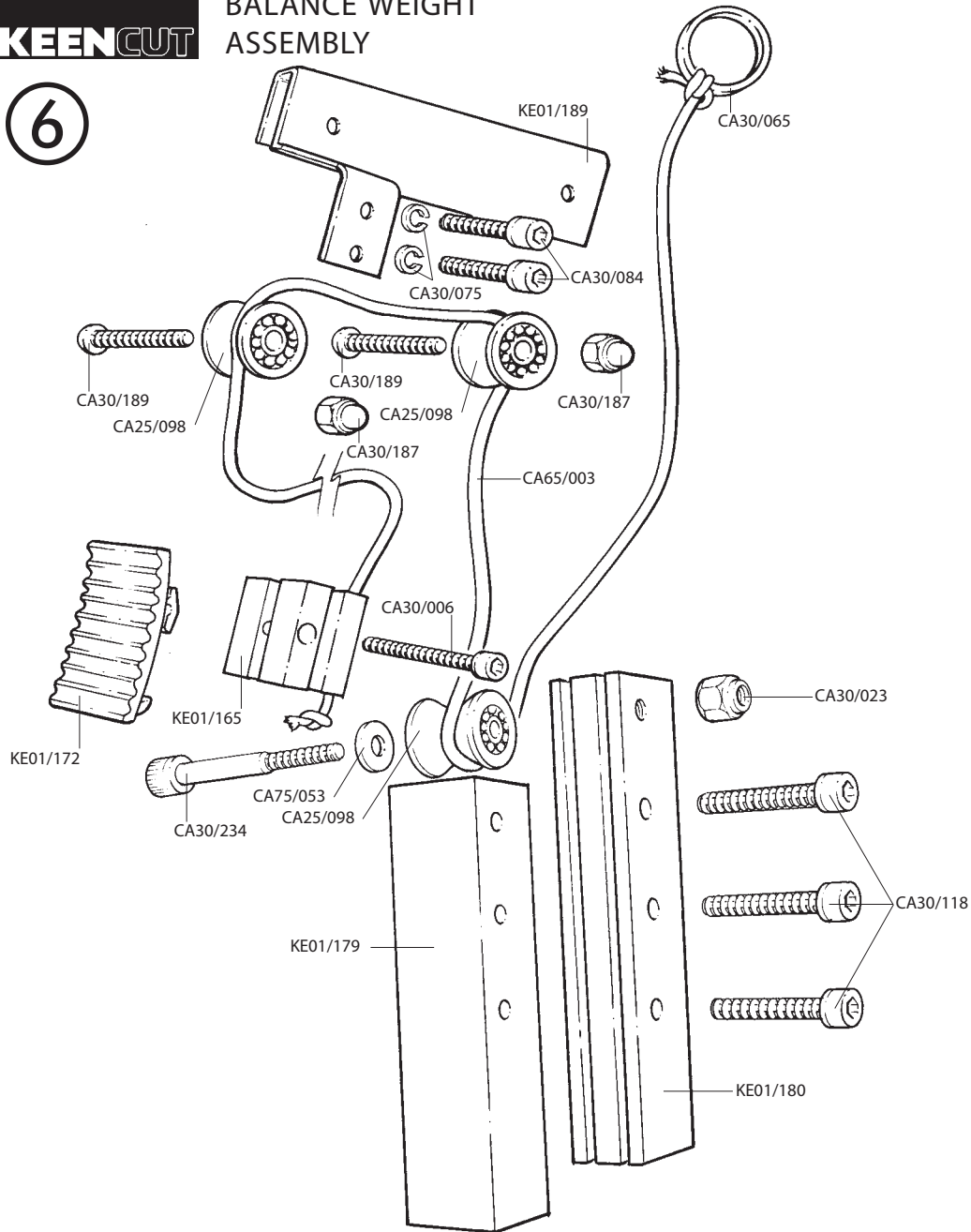
EXCALIBUR 1000X, 1000XE & 5000

5**EXCALIBUR** 1000X, 1000XE & 5000

KEENCUT

BALANCE WEIGHT ASSEMBLY

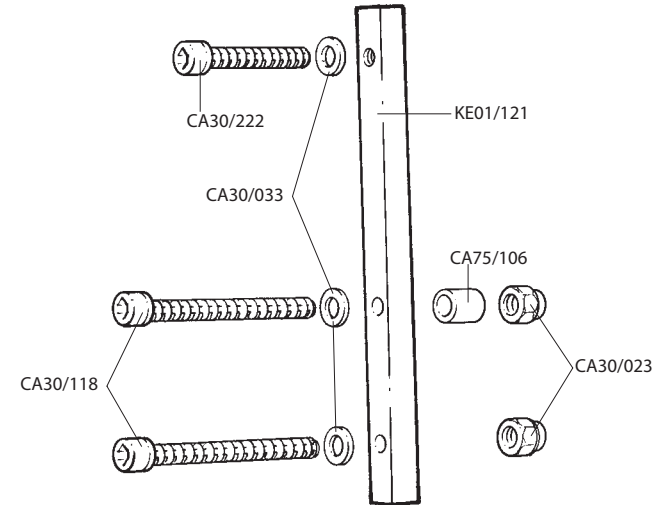
6



KEENCUT

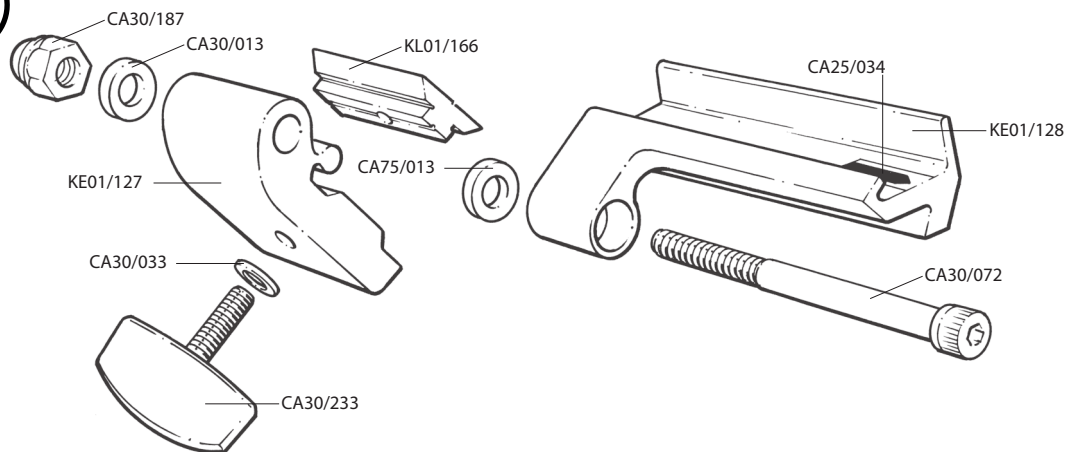
BOTTOM LEG CLAMP ASSEMBLY

7



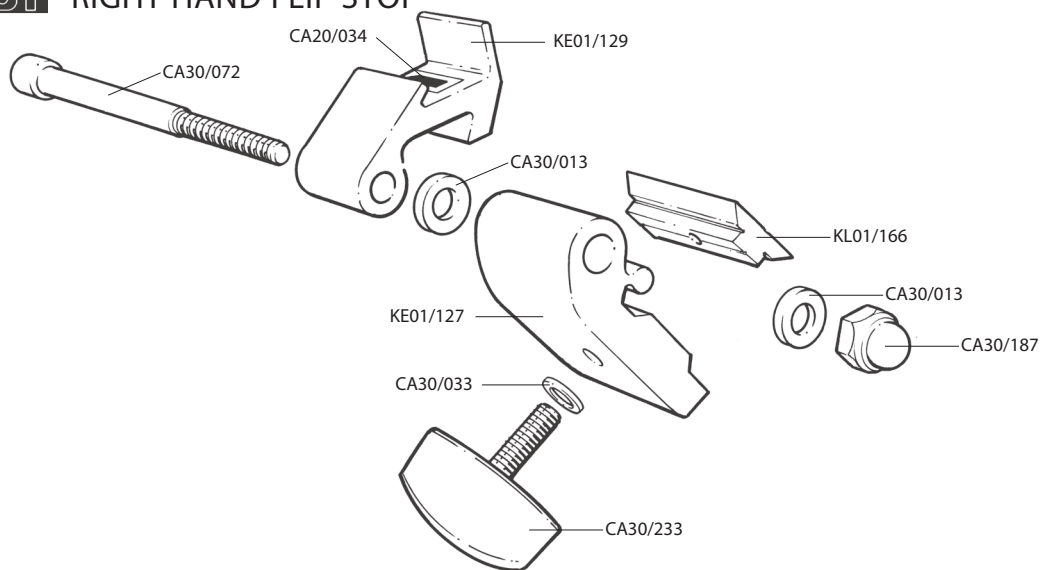
KEENCUT LEFT HAND FLIP STOP

8



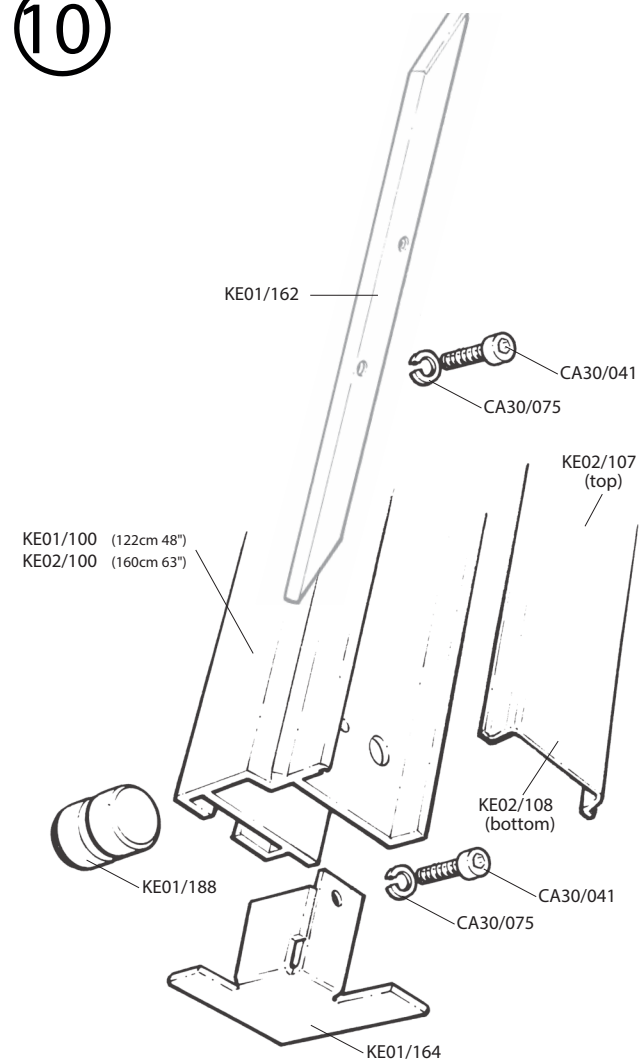
KEENCUT RIGHT HAND FLIP STOP

9



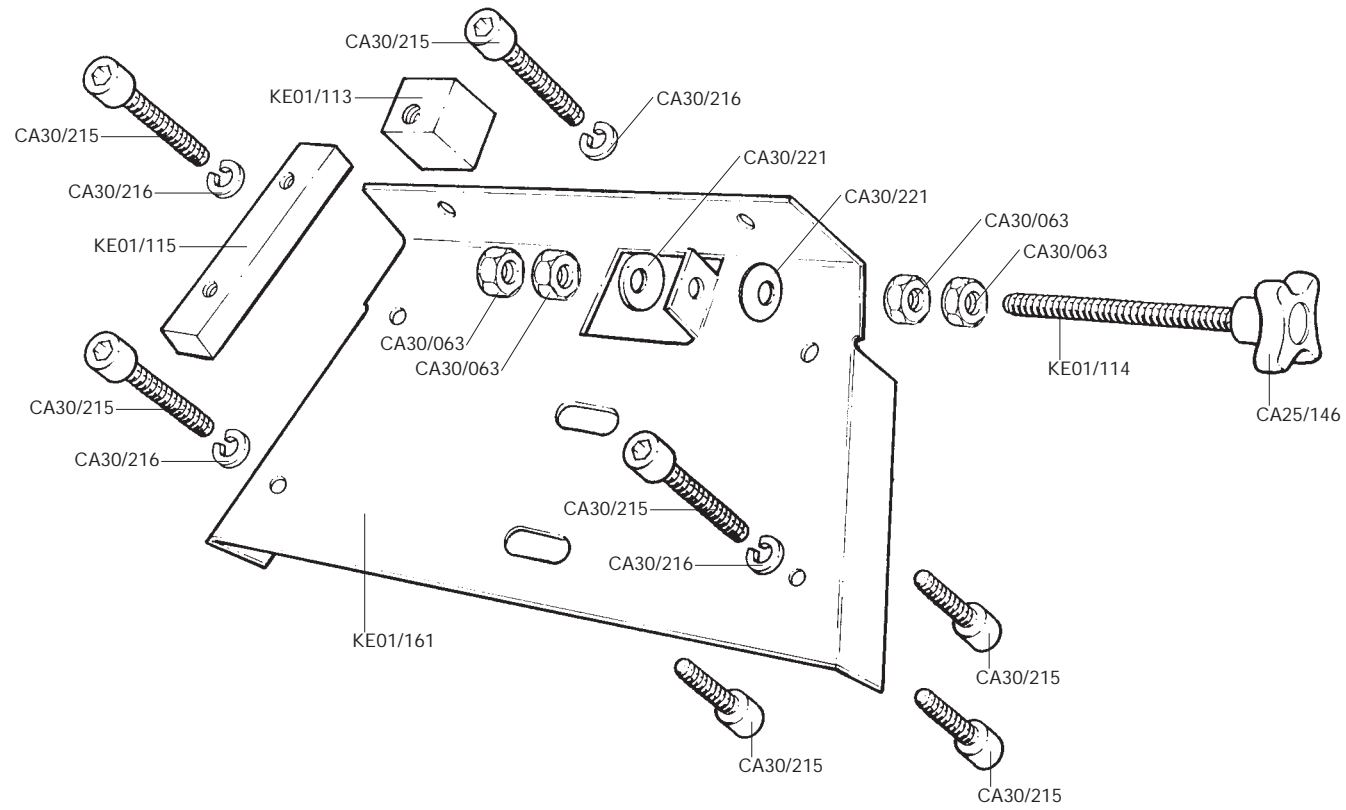
KEENCUT SLIDWAY ASSEMBLY

10



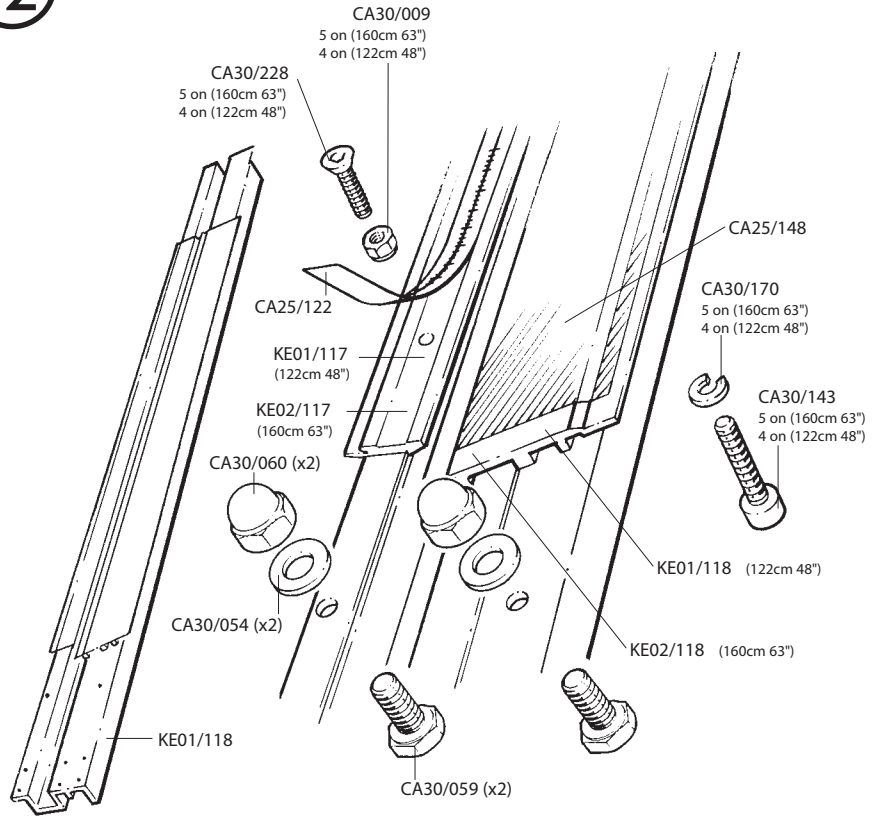
KEENCUT TOP PLATE

11



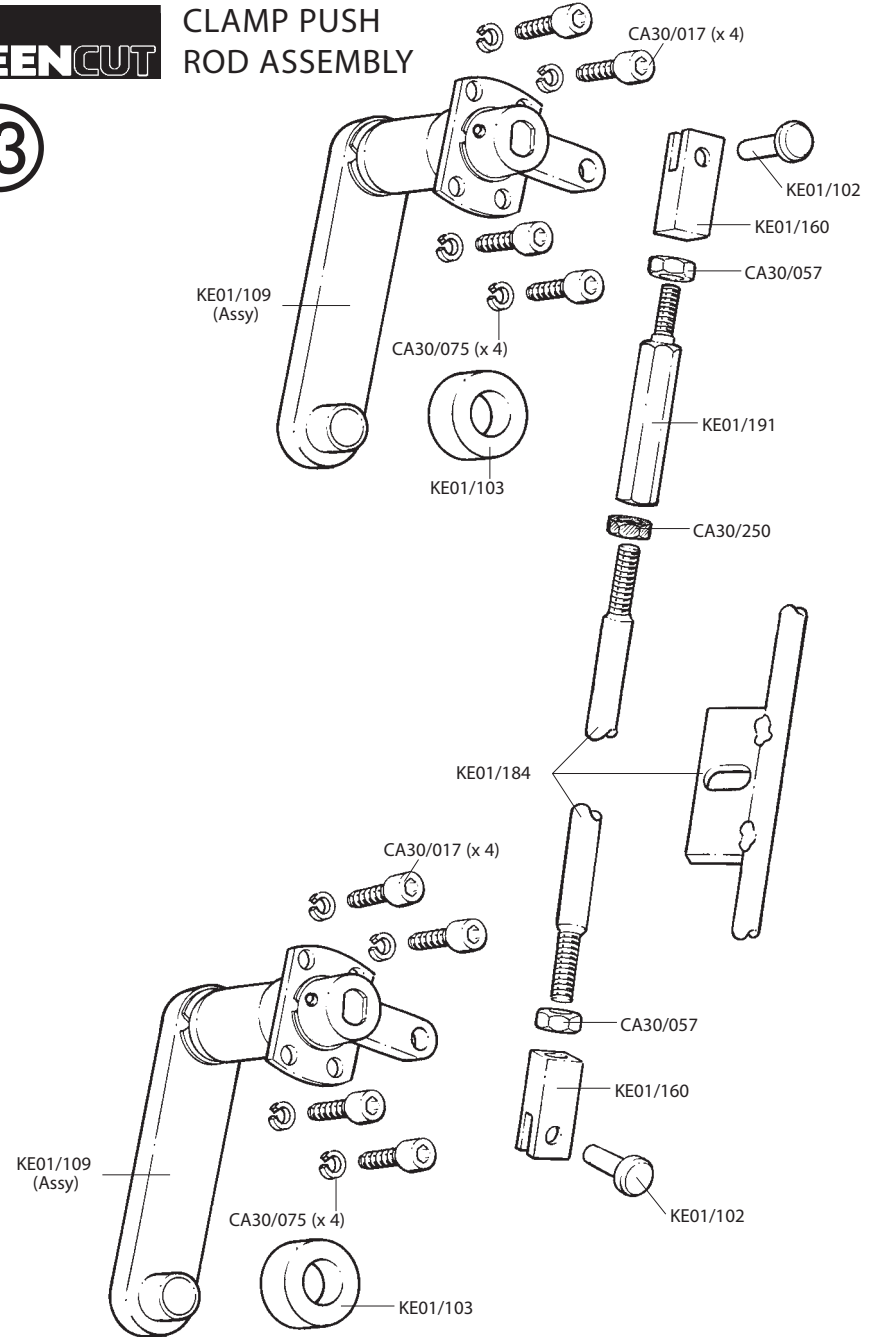
KEENCUT SPINE ASSEMBLY

12



KEENCUT CLAMP PUSH ROD ASSEMBLY

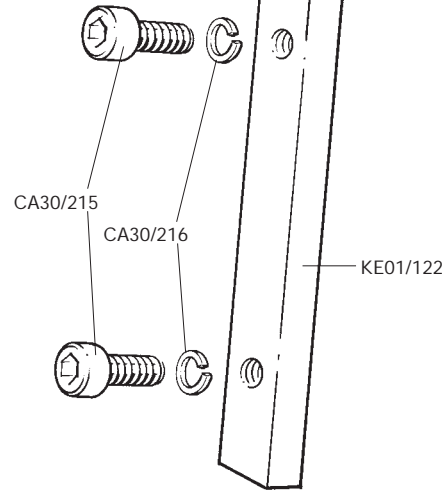
13



KEENCUT

TOP LEG CLAMP BLOCK

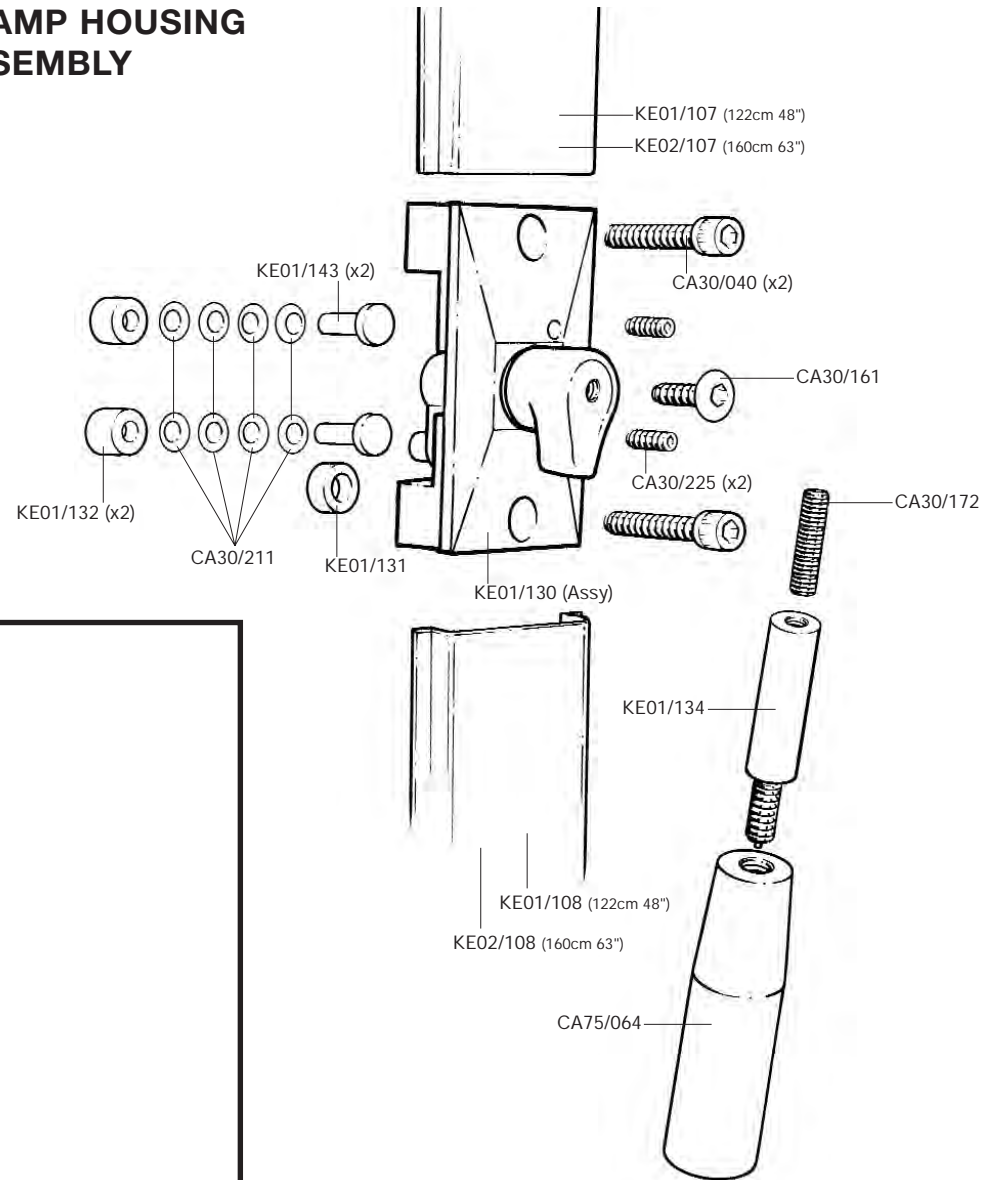
14



KEENCUT

CLAMP HOUSING ASSEMBLY

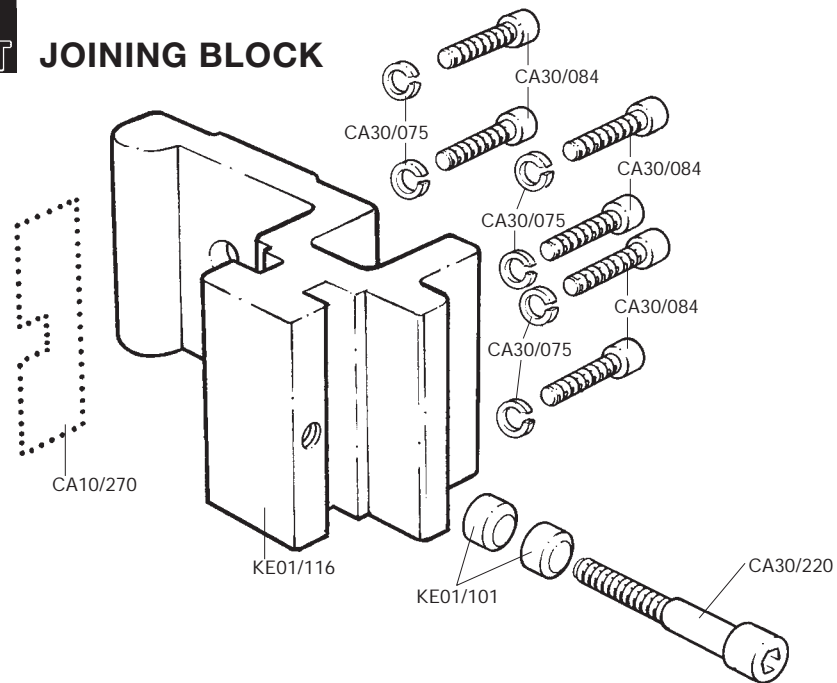
15



KEENCUT

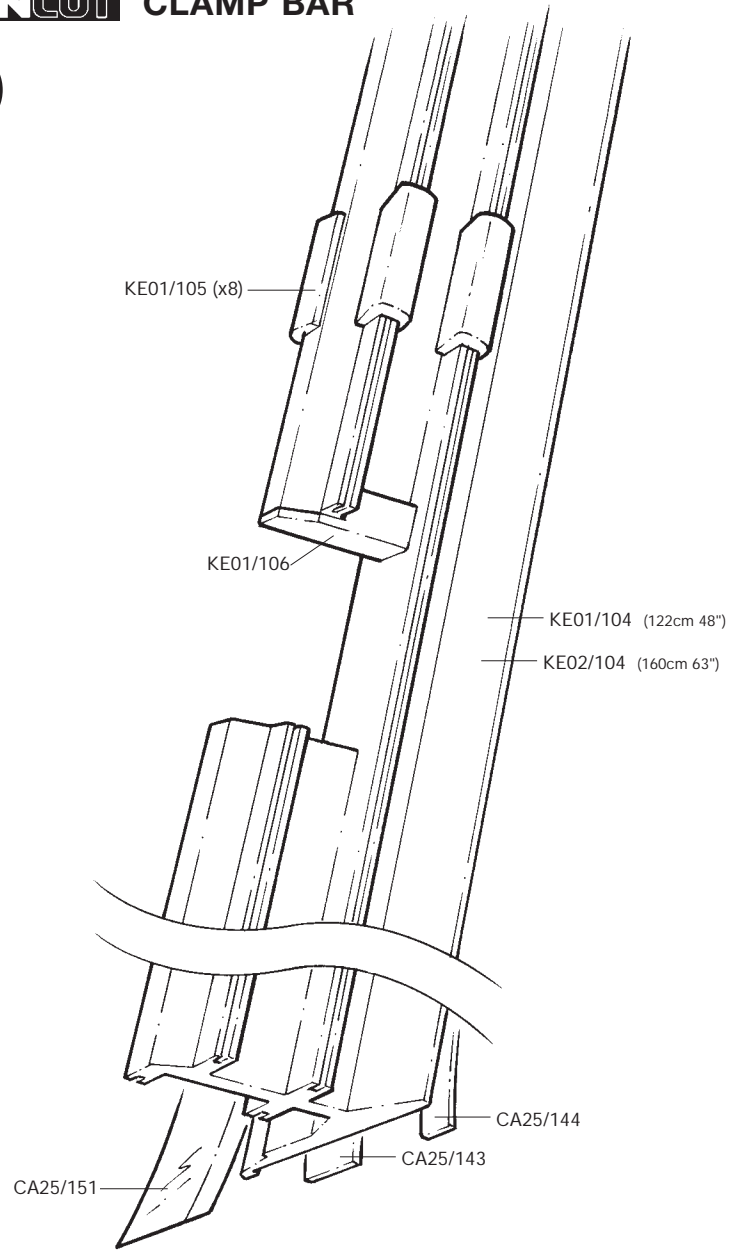
JOINING BLOCK

16



KEENCUT CLAMP BAR

17



KEENCUT SQUARING ARM

18

