

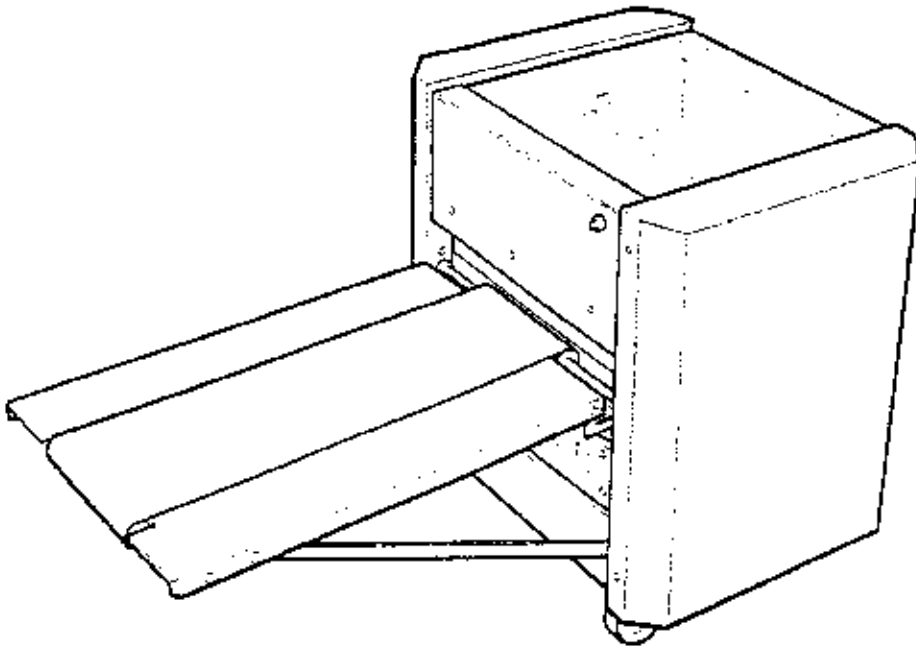
# MBM Sprint Trimmer

## Instruction Manual



Provided By

**MyBinding**.com®  
*When Image Matters.*



**NEW  
SPRINT**

**TRIMMER**

**OPERATION MANUAL**

## CONTENTS

1. Introduction.	2
2. Specification.	3
3. Safety	4
4. Operation and Controls.	8
5. Indicator lights	10
6. Problem solving.	11

Appendix A: Installation and Initial set up

Appendix B: Blade replacement

Appendix C: Parts lists and drawings.

Appendix D: Wiring diagrams

KAS Paper Systems Limited  
Brewers Hill Road  
Dunstable  
Bedfordshire  
LU6 1AD England

Tel: 44 (0) 1582 662211  
Fax: 44 (0) 1582 664222

## **2. — SPECIFICATION**

<b>MAXIMUM CUTTING THICKNESS</b>	50 Sheets of 80 GSM bond
<b>SHEET SIZES:</b>	5.5" x 8.5" to 11.5" x 17.5"
<b>BOOK SIZES:</b>	5.5" x 4.25" to 11" x 8.5"
<b>DIMENSIONS:</b>	Width 57cm Height 62 cm Length 49 cm (Conveyor stored), Length 102cm (Conveyor in use).
<b>WEIGHT</b>	84 Kg.
<b>POWER</b>	110v 60Hz Consumption approx. 180 Watts. Fuse: Mains Inlet - 6.3 amp 110v. 24Vdc Power Supply - 2.5 amp 110v

### 3. SAFETY

1. Kasfold Trimmer should only be connected to a proper grounded source
2. Kasfold Trimmer is protected by safety covers and these should never be removed other than by a trained Technician.
3. **Never try to override safety covers.**
4. Kasfold Trimmer has a guard system to protect the operator from access to the cutting blade. However, there has to be space to allow paper to travel through the machine. So great caution should be used if cleaning or removing paper from Kasfold Trimmer by hand
5. Always install machines on a firm, even floor.

#### 4. OPERATION AND CONTROLS

1. The trimmer is of the correct height to align to the Kasfold on a level floor. Do not stand one item on a soft floor (carpet, etc.) and not the other.
2. Position the machine near to a suitable socket outlet and ensure outlet is not covered and is easily accessible.
3. Check that the power supply is of the correct voltage for the machine. Once connected, the machine is ready for use.

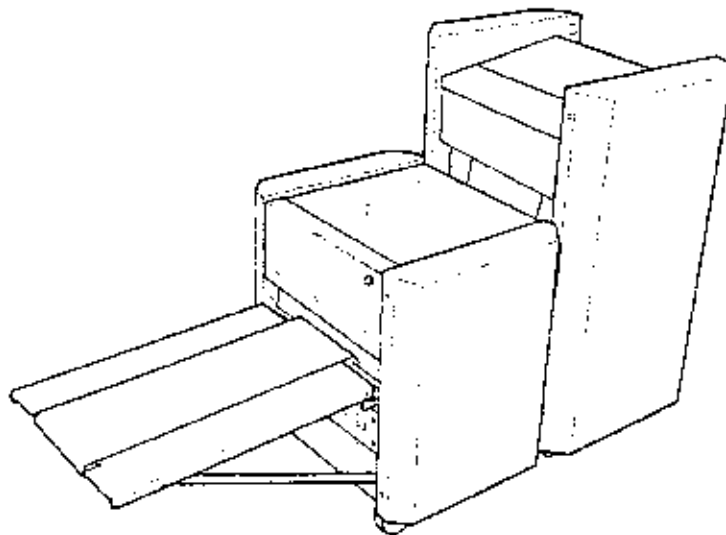


Figure 1

4. Switch on power to the Trimmer.
5. Open top safety cover.  
The machine will not operate with the top safety cover in the raised position. After closing the cover it is necessary to press the 'reset' button on the outfeed side of the machine.
6. Set the *paper back stop* for the length of book required. The stop for aligning the book correctly for the trim is adjusted in the same manner as the stop on the bookletmaker, merely by turning the *backstop adjustment thumbwheel*.

- 7 Depending on the number of sheets (thickness of book) to be fed through the system, it is necessary to adjust the *outfeed conveyor belt* pressure. As a guide, open them to their minimum setting and then if the trimmed book appears marked or damaged open the roller by small increments until the marking stops. The *Infeed roller* is automatically gapped when the outfeed conveyor belts are parted more than a certain amount.

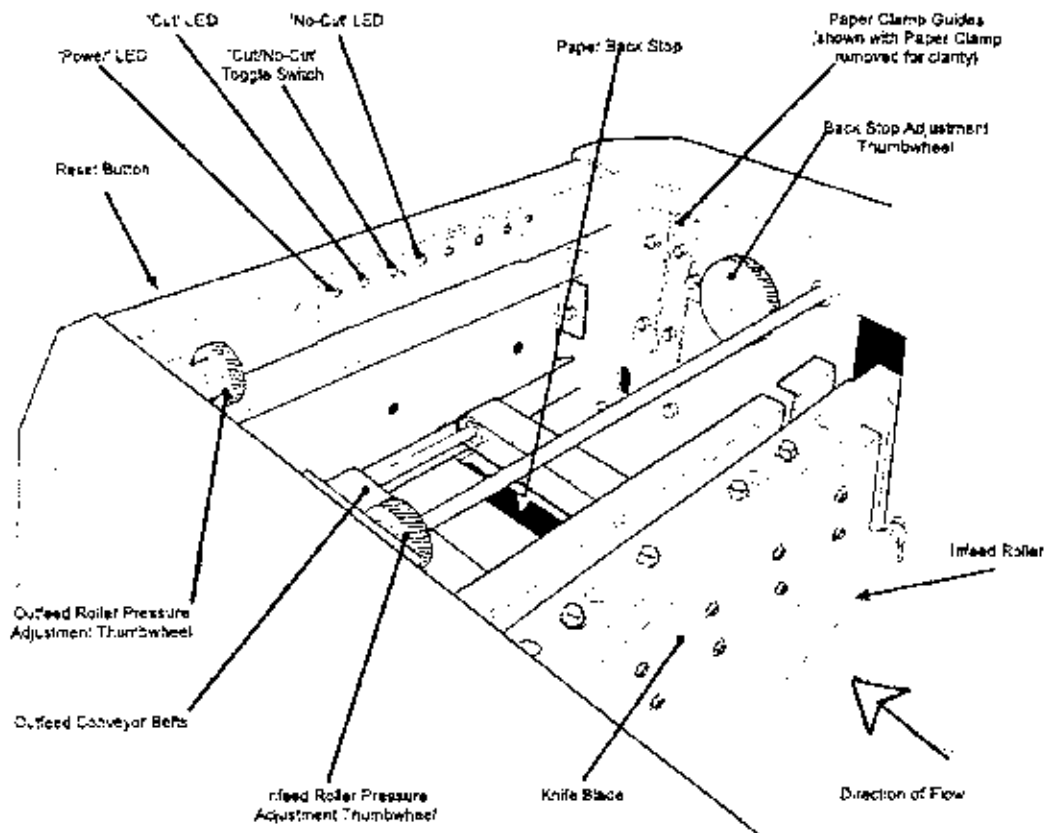


Figure 4

8. To start the Kasfold Trimmer press the 'reset' button.
9. Always ensure that when starting the machine that the knife and the paper stops are in the up position. If there is any doubt press and hold the 'reset' button for approximately 5 seconds. This will start the trimmer and reset the knife and timing shaft automatically ready for operation.
10. Should the trimmer be set for the wrong size book and a large offcut is left in the trim area because it will not fall through the hole provided, it should be pushed through the machine by using a wooden rule or similar article. One could also free trimmings by pushing a thin plastic or wooden article down through the top of the machine between the knife and knife guard. **The top knife is extremely sharp and the knife guards should not be removed except by specifically trained personnel, when changing the top knife.** One can part the feeding roll by adjusting the gap in the front end of the transport belts to the maximum.

## 5. INDICATOR LIGHTS

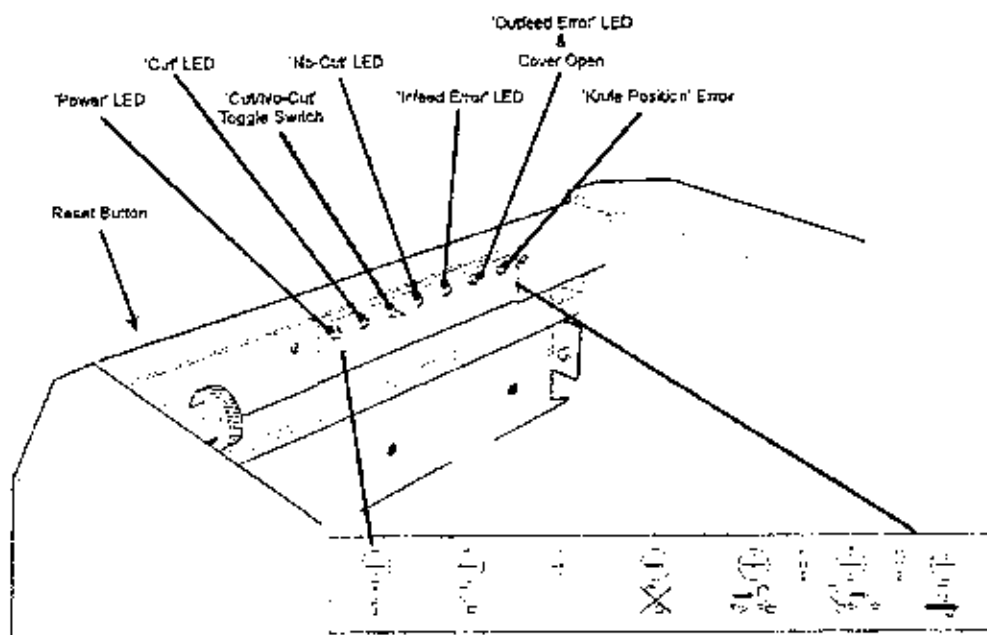


Figure 4.

1. *Infeed Error*: A paper jam before the knife. Open top cover, remove book and press 'reset'.
2. *Outfeed Error*: A paper jam after the knife. Open top cover, remove book and press 'reset'. If it is not possible to remove the book as it trapped by the knife, close the cover and press and hold the 'reset' for 5 seconds. This will complete the cycle and release the book. Open cover and clear the paper path of any remaining paper.
3. *Knife Position Error*: Open top cover, remove any paper, then press and hold the 'reset' button.
4. *Cut / No cut switch*. If the work being processed does not require trimming, the toggle switch should be set to the 'No cut' LED.



## 6. PROBLEM SOLVING.

<u>PROBLEM</u>	<u>POSSIBLE CAUSES</u>	<u>REMEDY</u>
Motor will not start	Blown Fuse	Switch off and unplug machine Check and replace fuses as necessary
Machine will not start when paper is inserted	Powerful light source from above	Shield safety cover from light or move machine
Machine will not cycle	Machine in jam mode	Remove paper from machine in stapling section to allow photo-cell to reset
On-line equipment will not start	Trimmer is not running.	Press reset on trimmer
Paper passes through machine without trimming	Trimmer set to 'by-pass' mode Paper stop fingers in down position	Set to 'cut' mode Press and hold reset
M/c jams at machine entry	Knife blade in wrong position	Press and hold reset

# TRIMMER 'ON-LINE' WIRING CONNECTION TO BOOKLETMAKER

