

Bottom Drive Adjustable Carton Sealer

Model:

CT-55 2-Belt

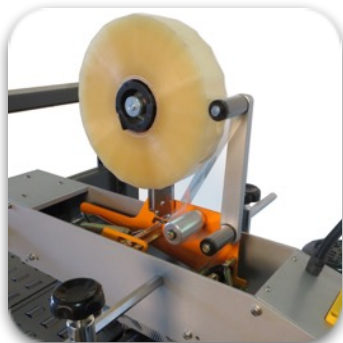
Excellent for wider, taller, heavier boxes.



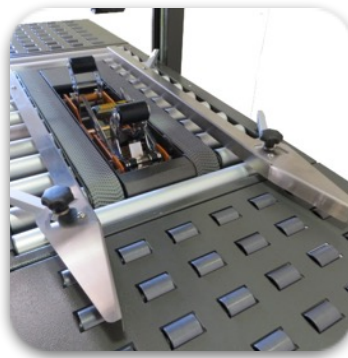
Description

The **CT-55 2-Belt Semi-Automatic Uniform Carton Sealer with Easy Manual Carton Size Adjustment** has a 2-Belt Design (2 bottom belts) and features our new "Piranha" tape head with "Easy Thread Design." The machine comes complete with adjustable height legs, power cord and plug.

* Shown with Optional Infeed and Discharge Roller Conveyor & Casters



Patented "Easy Thread" Tape Design
With Adjustable Box Side Guides.



Heavy Duty Bottom Drive Belts
For Positive Grip Pressure.



New "Piranha" Tape Head Features An
Easy Thread Design with Optimizer Arm.

mybinding.com
1-800-944-4573

Preferred Pack®
The New Industry Standard for Quality and Reliability

CT-55-2

The operator simply folds the top flaps of the corrugated carton and feeds it into the machine. The CT-55-2 applies a single tape strip to both the top & bottom of the case simultaneously. This two belt drive design is a heavy duty versatile machine designed for dependable performance and easy operation. The CT-55-2 can be easily adjusted in only seconds to process a different size carton. Excellent for wider, taller heavier boxes.

STANDARD FEATURES:

- "Patented" Tape Head with "Easy Thread" Design
- Interchangeable Tape Heads
- Side Pressure Rollers to Close Box Top
- 2 Bottom Drive Belts -Positive Feed
- Fully Adjustable Legs

OPTIONAL FEATURES:

- 3" (72mm) Tape Heads
- Infeed Conveyor
- Exit Conveyor
- Stainless Steel Frame
- Locking Casters

CARTON SIZE: LENGTH: 6" min. to Infinite
WIDTH: 7" min. to 19.5" max.
HEIGHT: 4.5" min. to 17" max.

MACHINE SIZE: 34.5'L x 27"W x 53"H

MACHINE SPEED: 75ft./min. up to 2000 cartons per hour. Production rate depends on carton size and operator dexterity

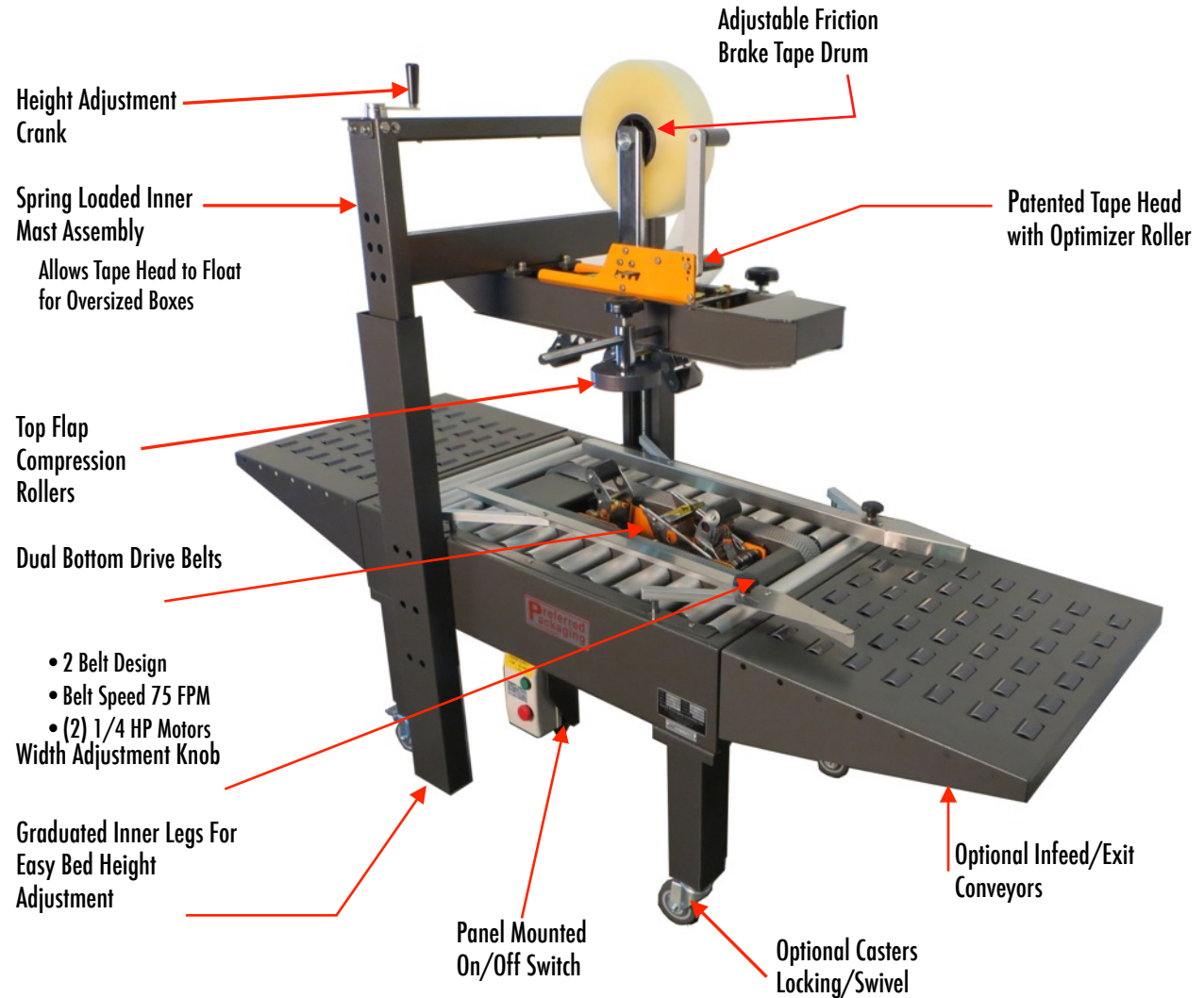
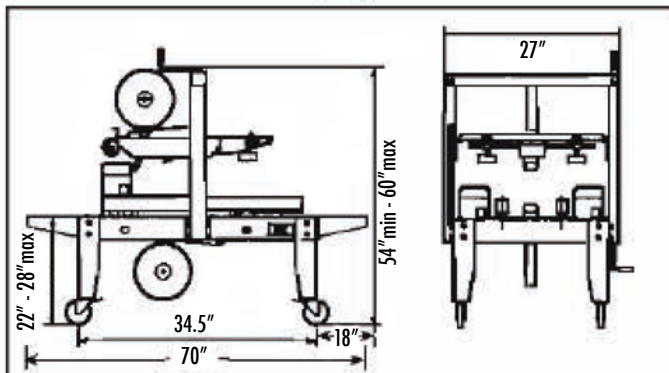
ELECTRICAL: 110 Volt, 1 Phase, 10 Amp

WEIGHT: 320 lbs. Shipping Weight: 370 lbs.

MAX BOX WEIGHT: 65lbs.

TAPE HEAD SPECS: 2" (48mm) Wide - 1,000 yard or 1,500 yard rolls.

WARRANTY: 2 Years on all parts



BOXES PER MINUTE vs. BOX LENGTH

