

# Automatic L'Sealer/Tunnel Combo

Model:

# PP-5300/5600 Combo

Compact ★ Portable ★ Affordable



**"APA"**  
Automatic  
Product  
Adjustment

**"APA" (Automatic Product Adjustment)** machine automatically adjusts inverting head and infeed conveyor to different package sizes from one touch control panel in less than 15 seconds!

The new fully automatic **PP-5300/PP-5600 Combo** is the only automated L'Sealers and Tunnels to feature **"APA" Automatic Product Adjustment**. Operator simply selects desired program from the one touch control panel and the machine will automatically adjust the infeed conveyor and inverting triangle to package size in less than 15 seconds. No more fussing with crank handles or guessing the proper package size.

## Automatic L'Sealer Features

- **"APA" - Automatic Product Adjustments**
- Speeds up to **40 PPM**
- Vertical seal head design
- Fast product changeovers
- **"Single Piece"** hot knife seal blade
- 7" Color touch-screen control panel
- Variable speed drive 0-110 FPM
- **Delta PLC with 40 program memory**
- Motorized adjustment of seal head
- Pin wheel hole punch
- Front load film cradle
- Seal area 25"L x 19"W
- **Self-diagnostics** for safety sensors, low voltage, broken scrap wind, etc.
- Emergency stop switch
- Self-contained scrap removal system with built-in alarm when full

## Shrink Tunnel Features

- Dual lighted viewing window
- Chamber size 18"W x 7"H x 38"L
- **Energy efficient**
- 1HP blower motor
- Fully re-circulating air chamber
- Live roller rod conveyor
- **Digital temperature** controller programmable 0-400 degrees
- 10KW heater bank
- Tunnel adjusts side to side, will center package into tunnel
- **Variable speed drive 0-110 FPM**
- Solid state digital temperature controller
- Automatic cool down and shut off
- **CE Approved safety system** exceeds OSHA safety standards

mybinding.com  
1-800-944-4573

**Preferred Pack®**

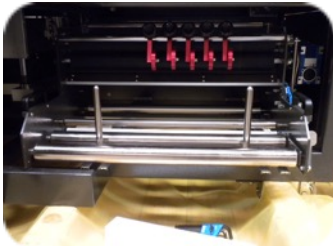
The New Industry Standard for Quality and Reliability

# PP-5300/5600 Combo

## Automatic L'Sealer/Tunnel Combination



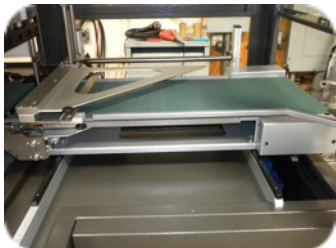
Delta PLC with 40 program memory and self-diagnostics



Easy front load film cradle with pin wheel hole punch



\* Optional 3' or 6' flighted or belted infeed conveyor increases speed

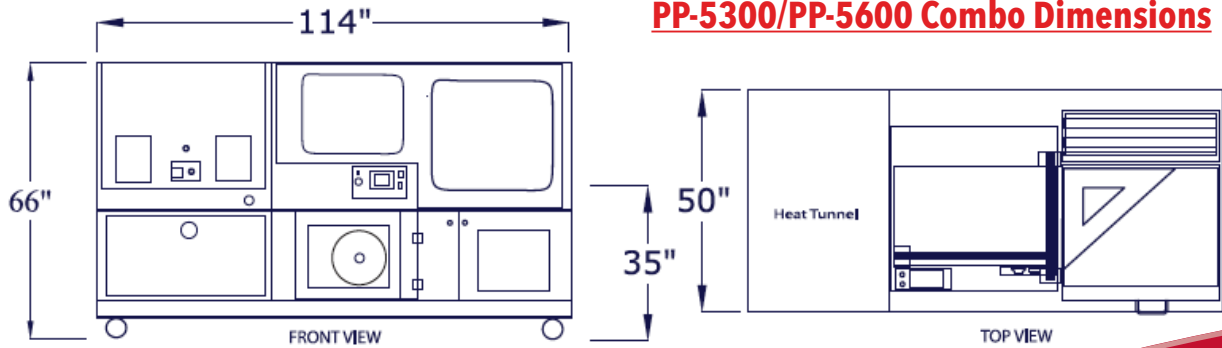


Motorized inverting triangle for package height adjustment



Easy access control panel

Model	PP-5300 Combo	PP-5600 Combo	Available Options
Seal Area	19"L x 16"W x 5"H	25"L x 19"W x 7"H	<ul style="list-style-type: none"> <li>• Pneumatic hole punch</li> <li>• 3' flighted infeed</li> <li>• 6' flighted infeed</li> <li>• Belted conveyors</li> <li>• Flight bar conveyors for multi-packs</li> <li>• Closing conveyor</li> <li>• Print registration</li> </ul>
Machine Speed	Up to 40 PPM	Up to 40 PPM	
Electrical	220V, 1 Phase, 50 AMP	220V, 1 Phase, 50 AMP 1	
Air	1 CFM @ 80 PSI	1 CFM @ 80 PSI	
Minimum Pkg Size	2.5" x 2.5" x 1/8"	2.5" x 2.5" x 1/8"	
Maximum Pkg Size	19"L x 16"W x 5"H	24" L x 16" W x 7" H	
Maximum film width	24"	24"	
Tunnel dimensions	40"L x 18"W x 8"H	40"L x 18"W x 8"H	
Crated dimensions	118"L x 64"W x 73"H		
Shipping weight	2,500 lbs		
Warranty	1yr on parts - 2 yrs on seal head		



mybinding.com  
1-800-944-4573