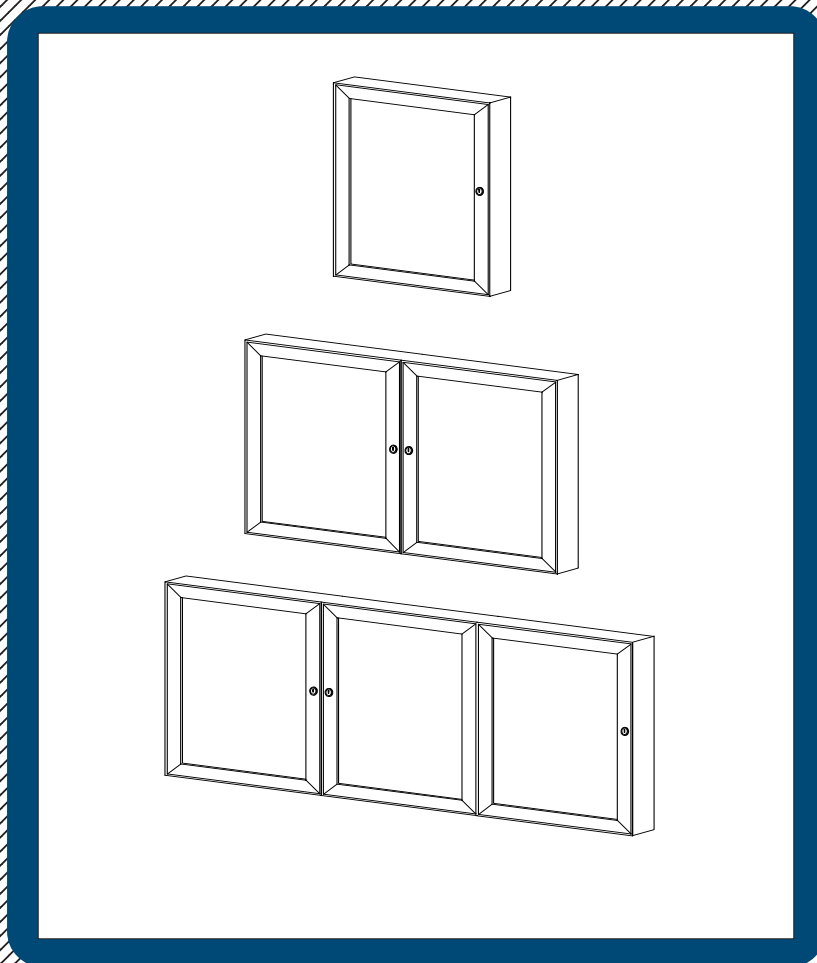
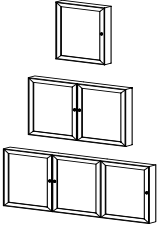


# Wall Hung Bulletin Board Cabinets

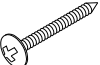

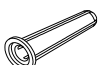
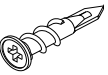
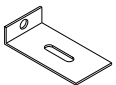




## Mounting Instructions

# Wall Hung Bulletin Board Cabinets

Part	Drawing	Description	Qty
P-1		Bulletin Board Cabinet (One, Two or Three Door)	1 EA

### Hardware List

A-1		Long Screw (1-1/4" )
A-2		Short Screw ( 3/8"
B		Screw Anchor - Concrete
C		Screw Anchor - Drywall
D		L-Clip (large)
E		L-Clip (small)
F		Z-Hanger

Use Screw Anchor (C) in place of Screw Anchor (B) for Drywall Applications.

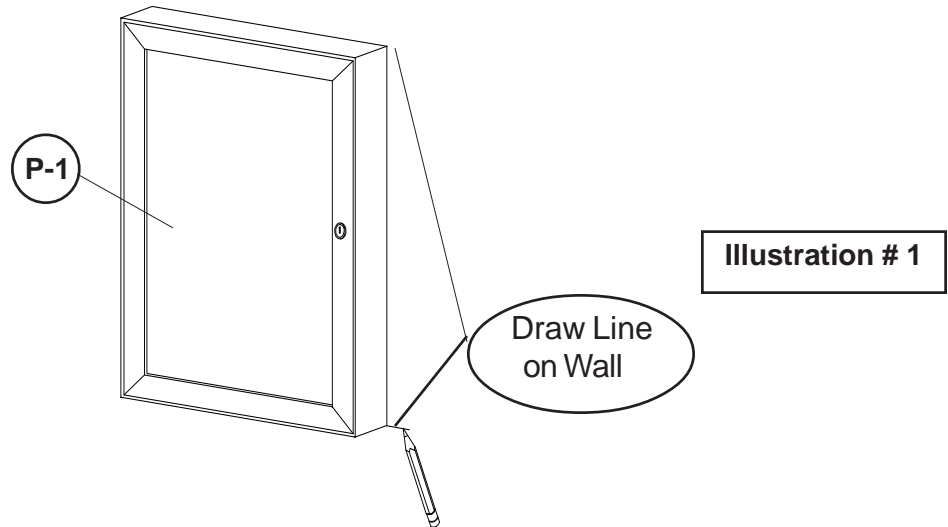
## Important Information

Do not use unless all screws are tight. At least every six months, check all screws to be sure they are tight. If parts are missing, broken, damaged, or worn, stop use of the product until repairs are made by your dealer using factory authorized parts.



**To Attach to Wall:**

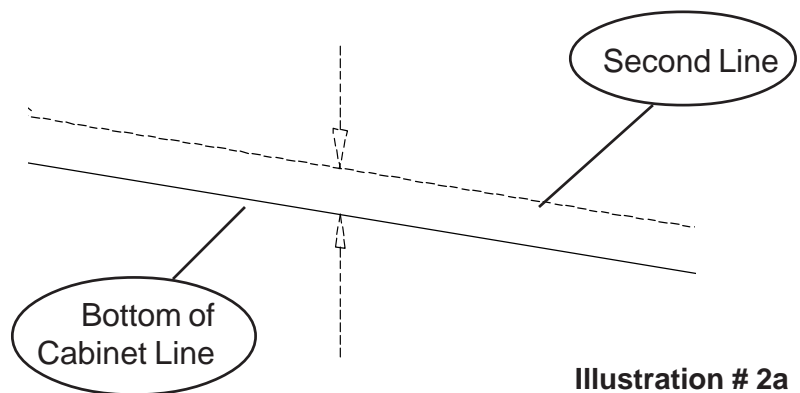
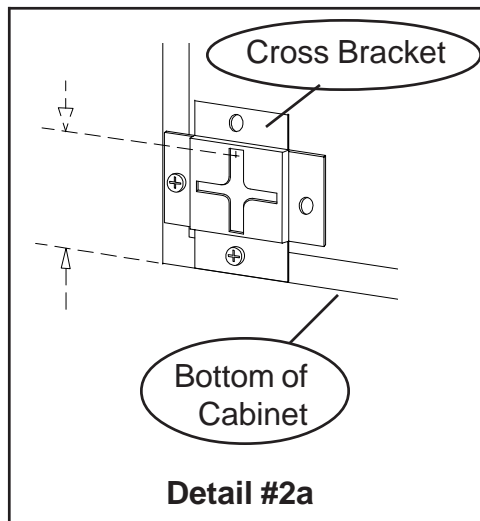
1. Identify and Separate all the Parts and Hardware.
2. Determine the type wall you are going to mount your new Bulletin Board Cabinet (P-1) on. Decide the location and draw a line under the cabinet and on top of the cabinet on the wall as shown in illustration #1.



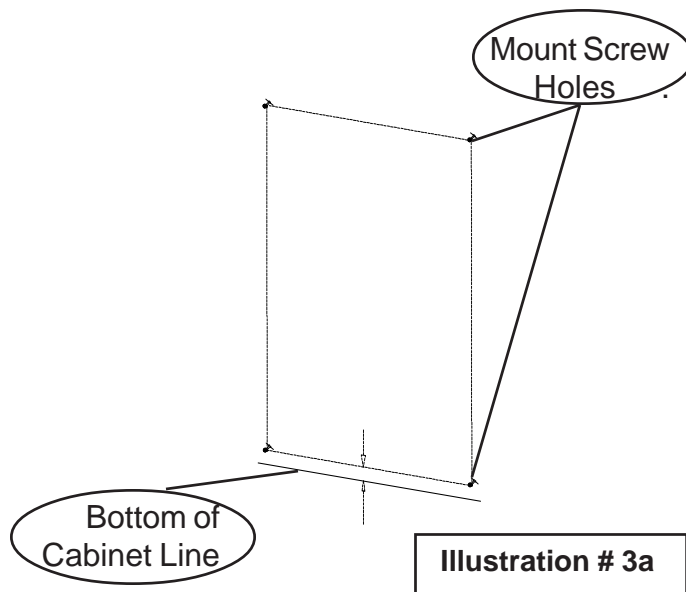
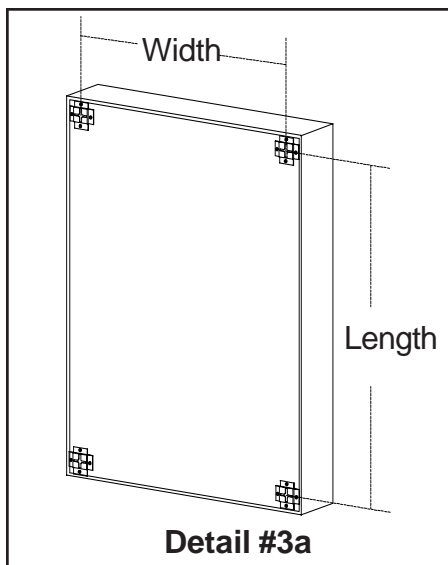
3. Determine the type mounting brackets that are attached to the back of your Bulletin Board Cabinet (P-1) . Find the mounting instructions that match your type Cabinet's mounts on the following pages.

**4a. Bulletin Board Cabinets with four Cross Type mounting brackets:**

- 5a. Measure the distance up from the bottom of the Bulletin Board Cabinet up to the center point of one of the bottom Cross Brackets as shown in Detail #2a. Add this distance on top of your bottom Cabinet wall mark and mark a second line that is parallel as shown in illustration #2a.



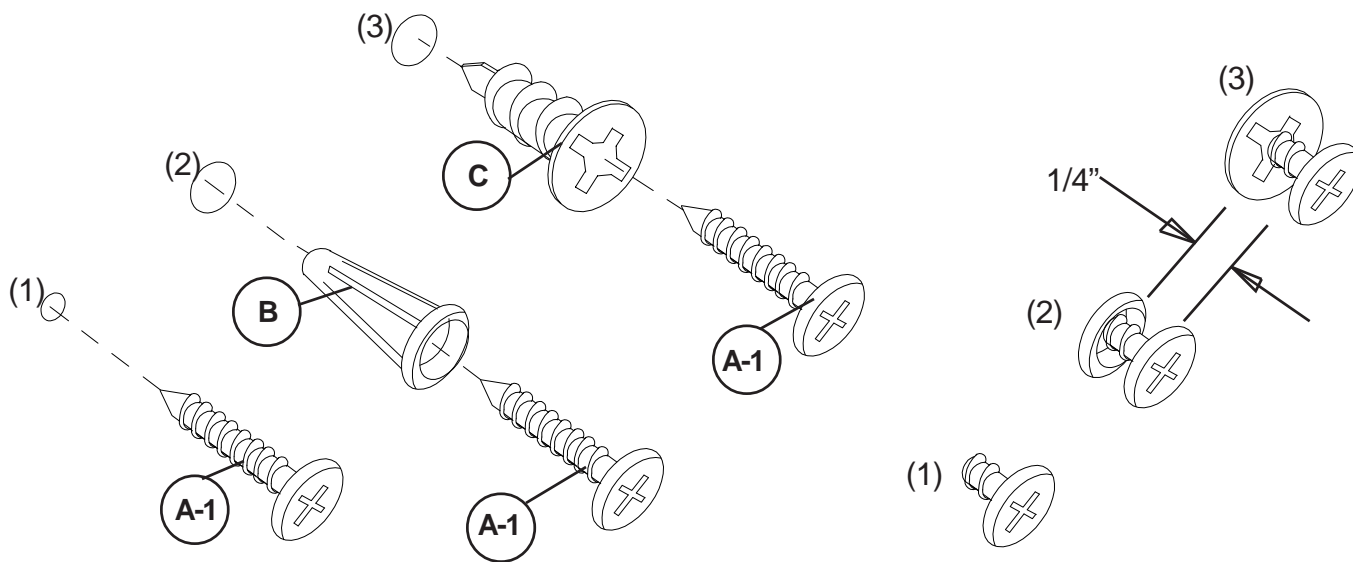
6a. Measure the Length and Width of the center points of the Cross Mounting Brackets as shown in Detail #3a. Use these dimensions to mark your four Mount Screw holes on the wall as shown in illustration #3a.



7a. Check Chart A for the correct Screw and Anchor for your type wall.

**CHART A**

- (1) Use Long Screw (A-1) for attaching direct into wood and metal wall studs.
- (2) Use Screw Anchor (B) and Long Screw (A-1) for attaching into Concrete walls.
- (3) Use Screw Anchor (C) and Long Screw (A-1) for attaching into Drywall.



- 8a. Install a Small L Clip (E) on the bottom drawn line in the center. Use the correct hardware for your type wall. Hang the Cabinet by placing the Screw heads into the Cross Type mounting brackets and resting down on the bottom Small L Clip. Use a Short Screw (A2) through the bottom Small L Clip's leg to secure the cabinet in place. See illustrations # 4a and 5a.

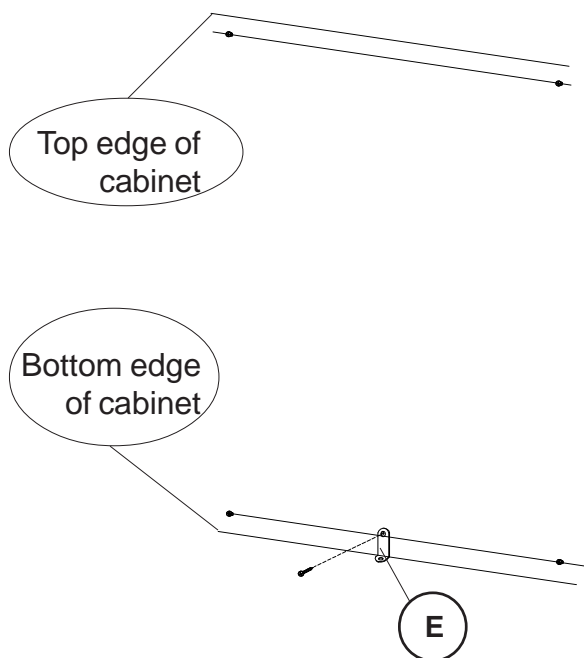


Illustration # 4a

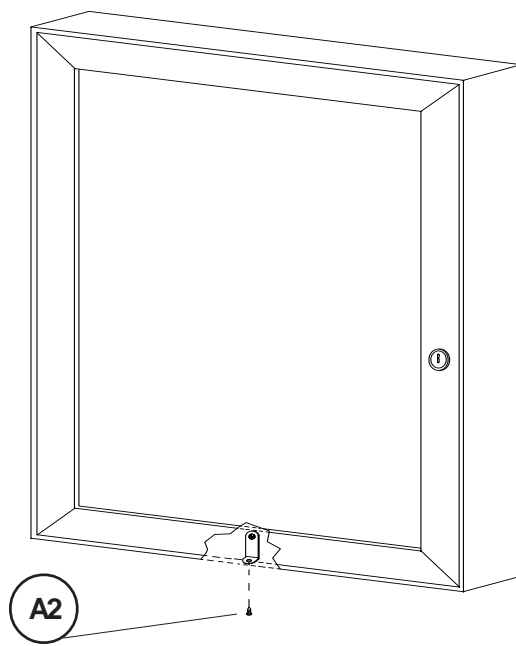
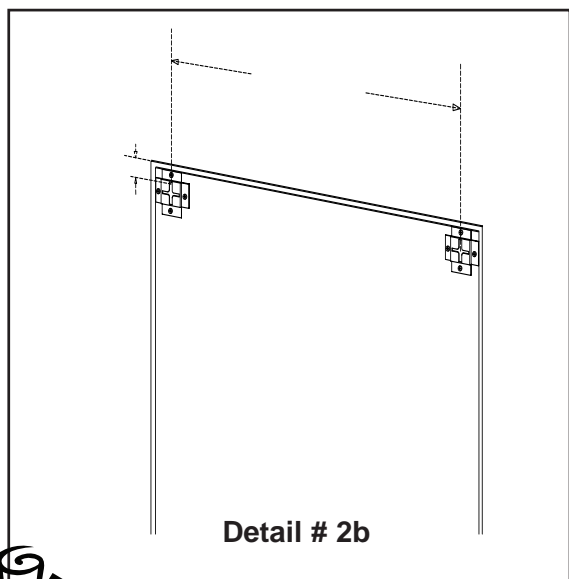


Illustration # 5a

4b. **Bulletin Board Cabinets with Cross Type Mounting Brackets at the top and L Clips at the bottom:**

- 5b. Measure the distance from the top of the Bulletin Board Cabinet down to the top center point of the Cross Brackets as shown in Detail #2b. Draw a lower line parallel to the top Cabinet line. Measure the distance between the Top Cross Type brackets and mark this distance on the second top line you just drew. Install the correct mounting hardware for your type wall in these marks. See illustration #2b.



Detail # 2b

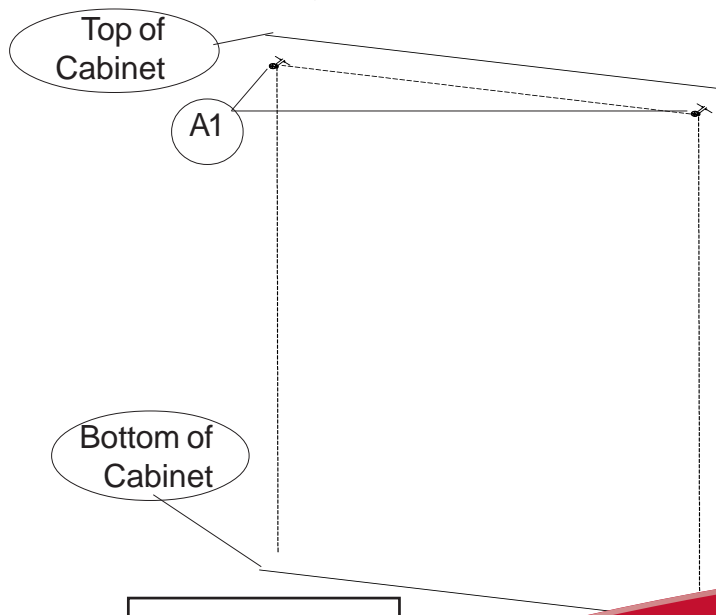
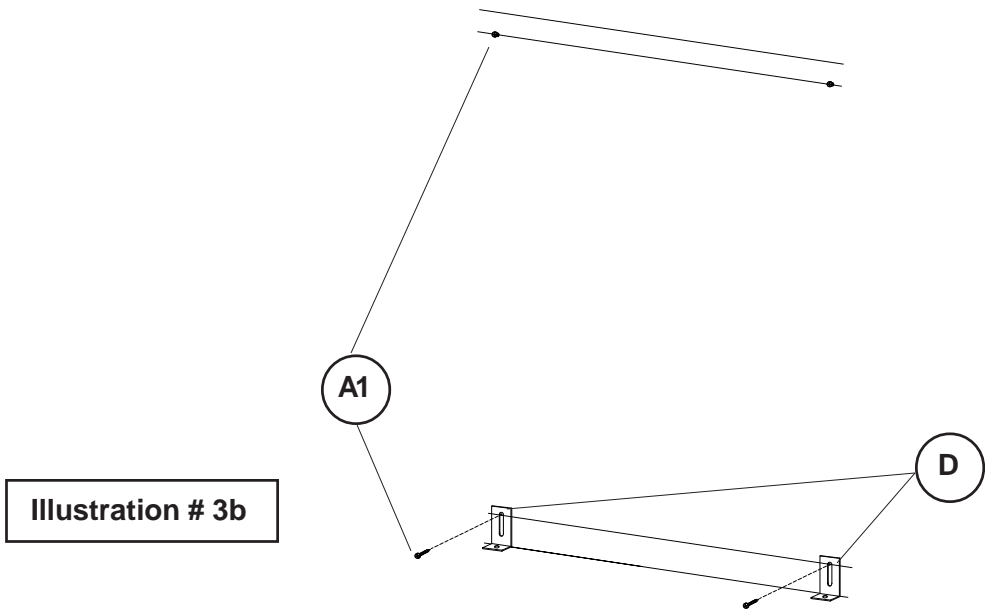
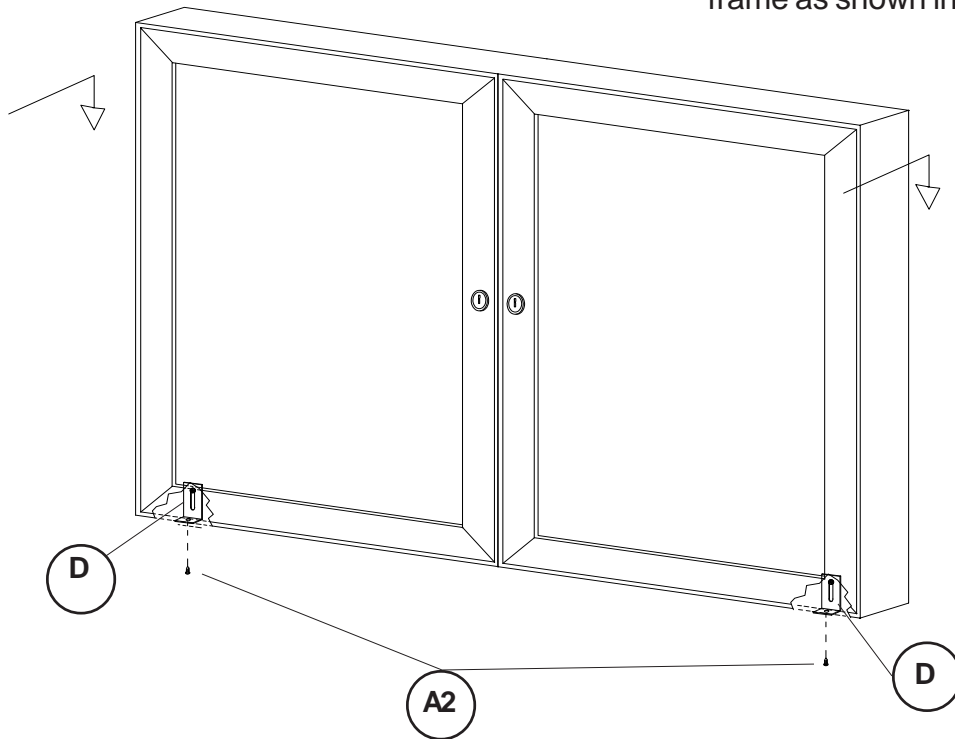


Illustration # 2b

6b. Install the Large L Clips (D) on the bottom drawn line of Cabinet as shown in illustration #3b.

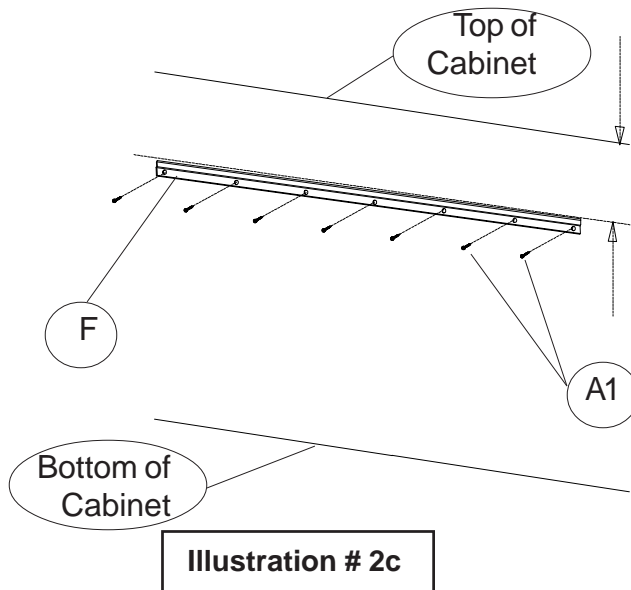
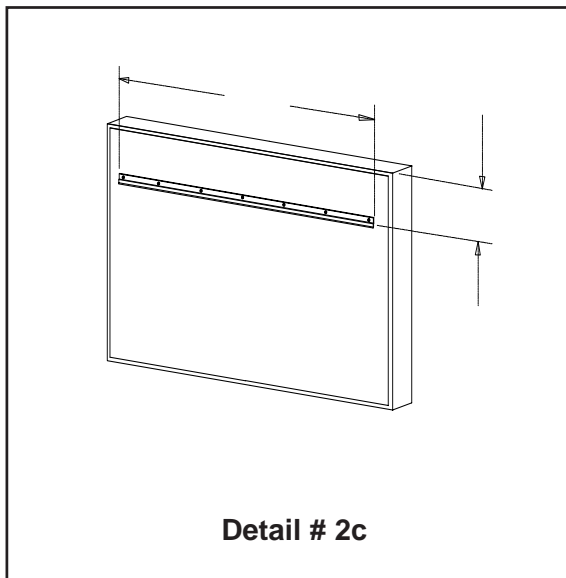


7b. Place the Cabinet's Cross Type Top Mounting brackets over the heads of the top hanging Screws and lower Cabinet down onto the bottom Large L Clips (D). Secure in place using Short Screws (A2) into the bottom leg of the L Clip and into the Cabinet's bottom frame as shown in illustration #4b.



4c. **Bulletin Board Cabinets with Z Hanger Bar at top and L Clip at bottom:**

5c. Measure the distance down from the top edge of your Cabinet to the center point of the Z Hanger Bar that is screwed to the back. Measure down this same amount from the top line you drew on the wall and draw a line parallel to it. This will be the top edge location of the wall mounted Z Hanger (F). Mount the Z Hanger (F) to the wall using the correct hardware for your type wall (see Chart A on page 4). See Detail # 2c and illustration # 2c.



6c. Place a Small L Clip (E) in the center of the bottom drawn line of the Cabinet. Attach it to the wall with the correct Hardware as shown in illustration #3c.

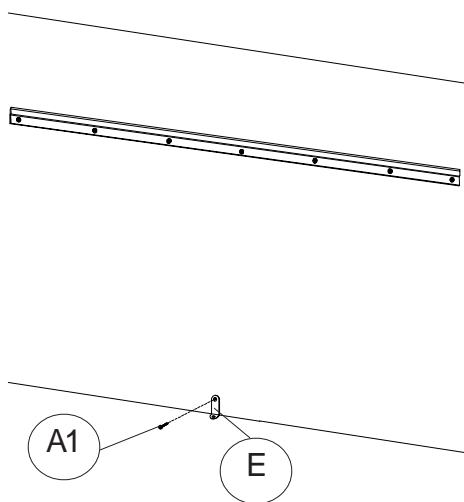


Illustration # 3c

7c. Hook the Cabinet's Z-Hanger on the Z-Hanger on the wall. Secure the Cabinet to the wall and the Small L Clip using Screw (A2) as shown in illustration #4c.

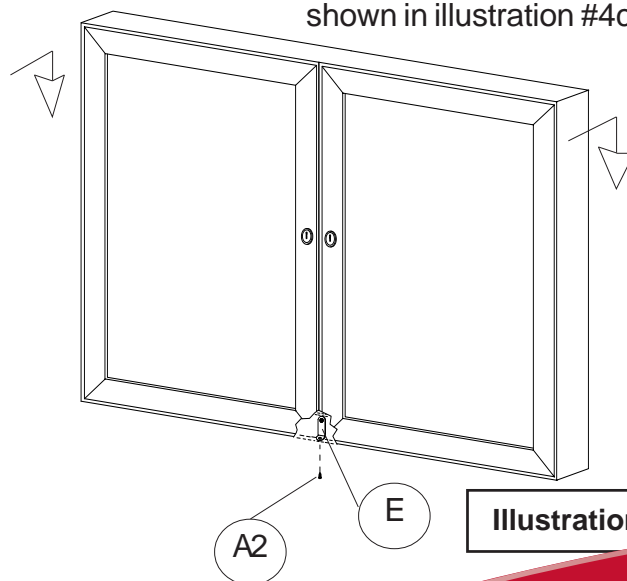
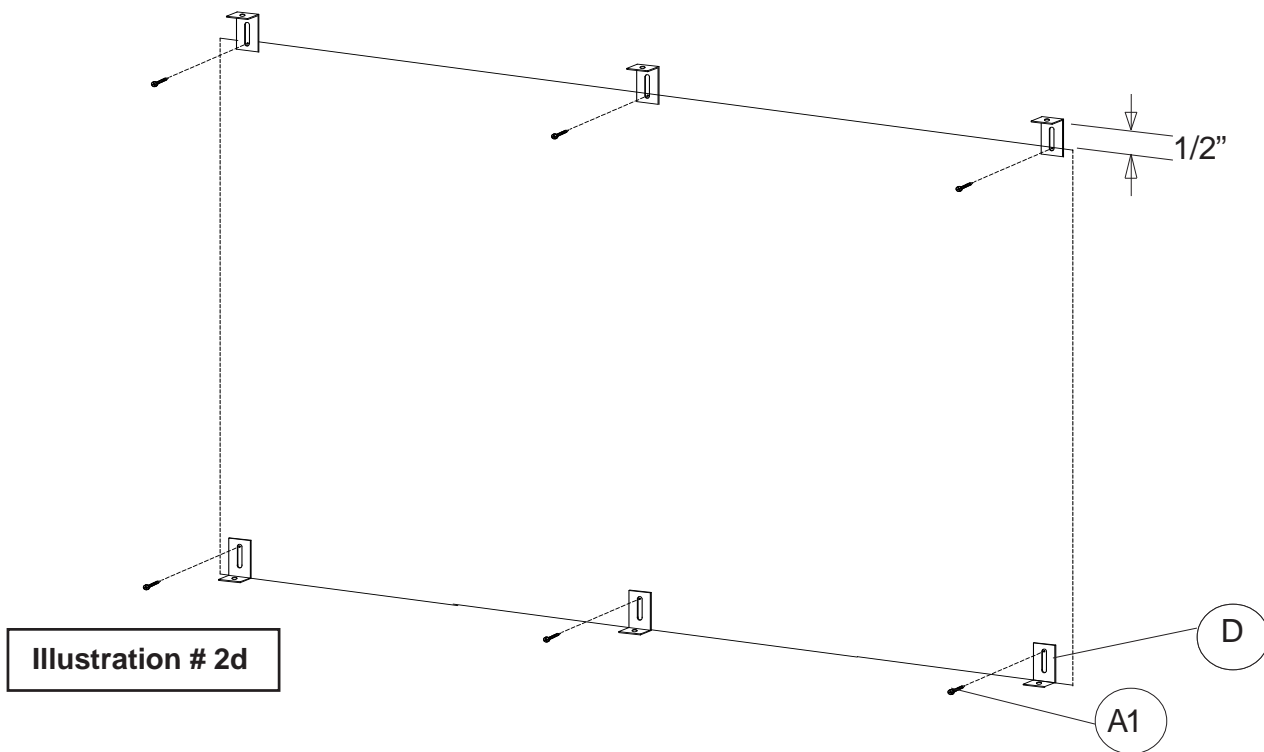


Illustration # 4c

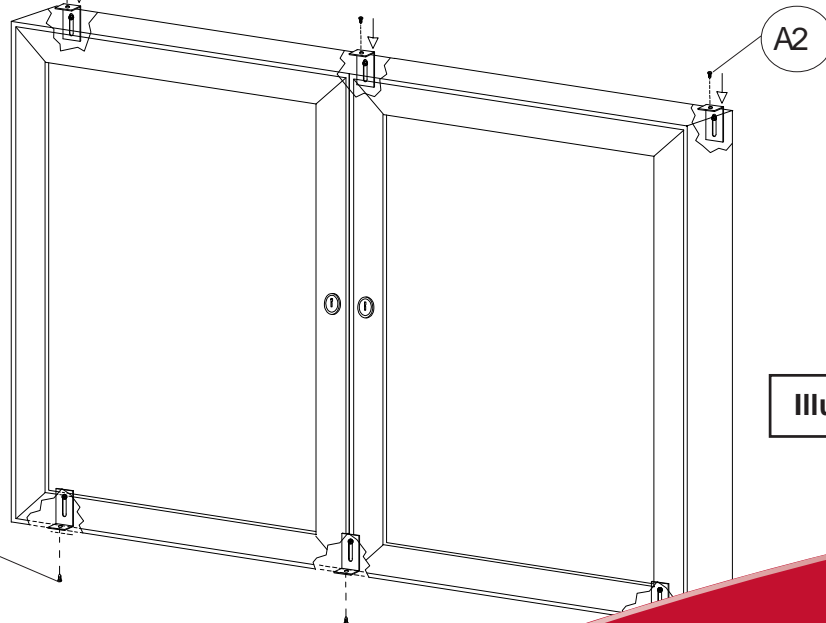
4d. **Bulletin Board Cabinets with Large L-Clips Top and Bottom:**

5d. Install the Large L-Clips on the bottom drawn line with the correct Hardware for your type wall. Make sure the bottom edge of the L-Clips are even with the bottom line when the Screw (A1) is in the top of the L-Clips slot as shown in illustration #2d.



6d. Install the top Large L-Clips so that they can be raised 1/2" above the top drawn line and then pushed down to touch the line and the top of the board once it is installed. See illustration # 2d.

7d. Place the Cabinet on the bottom row of L-Clips and tilt the Cabinet up against the wall. Push the top L-clips down until they touch the top of the Cabinet. Secure the L-Clips to the Cabinet using Small Screws (A2).



Bulletin Board Cabinets 1-30-14