



DocuFold Pro (CB/UL)

PARTS MANUAL



Automatic Paper Folding Machine

morgana

DocuFold Pro

ILLUSTRATED PARTS MANUAL

The Illustrated Parts Manual has been designed to assist when selecting a part or assembly which may be required to service or repair your machine.

The index on page four lists all of the major assemblies.

The following page demonstrates how to recognize a part from a sub-assembly and shows the quantity contained within the major assembly.

The major assembly number and description is listed at the top of the page and should always be quoted when ordering parts or when seeking technical advice.

Before ordering parts confirm that the model number of the machine (listed at the top of page four) is identical to the number stamped on the specification plate.

Whilst checking this, make a note of the serial number also stamped on the plate.

Some components will not be made available individually as they form part of a sub-assembly which may require specialist tools and knowledge to dismantle. The machine may not perform correctly if attempts are made to repair sub-assemblies of this type.

NOTE....

**ALWAYS READ THE OPERATORS MANUAL BEFORE MAKING ANY
ADJUSTMENTS TO YOUR MACHINE AND ALWAYS DISCONNECT THE POWER
SUPPLY BEFORE REMOVING ANY COVERS.**

USING THIS MANUAL.....

CIRCLED ITEM NUMBERS IN LISTS & ON ILLUSTRATIONS INDICATE SUB ASSEMBLIES.

ITEMS LISTED ARE AVAILABLE INDIVIDUALLY AS SPARE PARTS.

10			
11	92 - 039	1	SLIDE FRAME ASSEMBLY - Low
12	95-046	1	SWITCH ASSEMBLY - Set-up
13	95-047	1	SWITCH ASSEMBLY - Feed
14	95-049	1	SWITCH ASSEMBLY - Rotary Setting Dial
15	95-058	1	SWITCH ASSEMBLY - Push Button 1
16	95-059	1	SWITCH ASSEMBLY - Push Button 2
17	95-060	1	SWITCH ASSEMBLY - Push Button 3
18	95-064	1	SWITCH ASSEMBLY - Push Button 4
19			
30			

QUANTITY PER ASSEMBLY

NOTE....

Some sections have footnotes to explain various aspects of the parts lists and accompanying illustrations. They may also include warnings about the fitting of parts, their removal, or the need to use special tools.

TIP....

Some sections have tips to assist you in choosing spare parts for your machine or advice about keeping certain parts readily available to minimise downtime.

WARNING.....

SOME SECTIONS HAVE WARNING NOTICES TO ADVISE YOU ABOUT ACTIONS WHICH MAY IMPAIR YOUR MACHINES PERFORMANCE OR CAUSE UNNECESSARY DAMAGE.

SECTION	ASSEMBLY	DESCRIPTION	PAGE
1	940820S	FINAL ASSEMBLY	6
2	9-01-07	MAIN ASSEMBLY	10
3	9-02-05	DELIVERY ASSEMBLY	14
4	9-03-06	FEED BED ASSEMBLY	16
5	9-06-06	FOLD ROLLER ASSEMBLY	18
6	9-07-15	FOLD PLATE ASSY - Auto Deflect	20
7	9-07-16	FOLD PLATE ASSY - Auto Stop	24
8	9-08-06	STACKER ASSEMBLY	28
9	9-08-14 9-08-15	PERFORATOR ASSY. (Metric) PERFORATOR ASSY. (Imperial)	30
10	95-02-02	CONTROL SYSTEM ASSY.	32
11	95-149-02	LEG ASSY.	33
12	95-193-01	MOTOR BOARD ASSY.	34
13	9-09-01	OPTIONAL REAR DELIVERY ASSY.	36

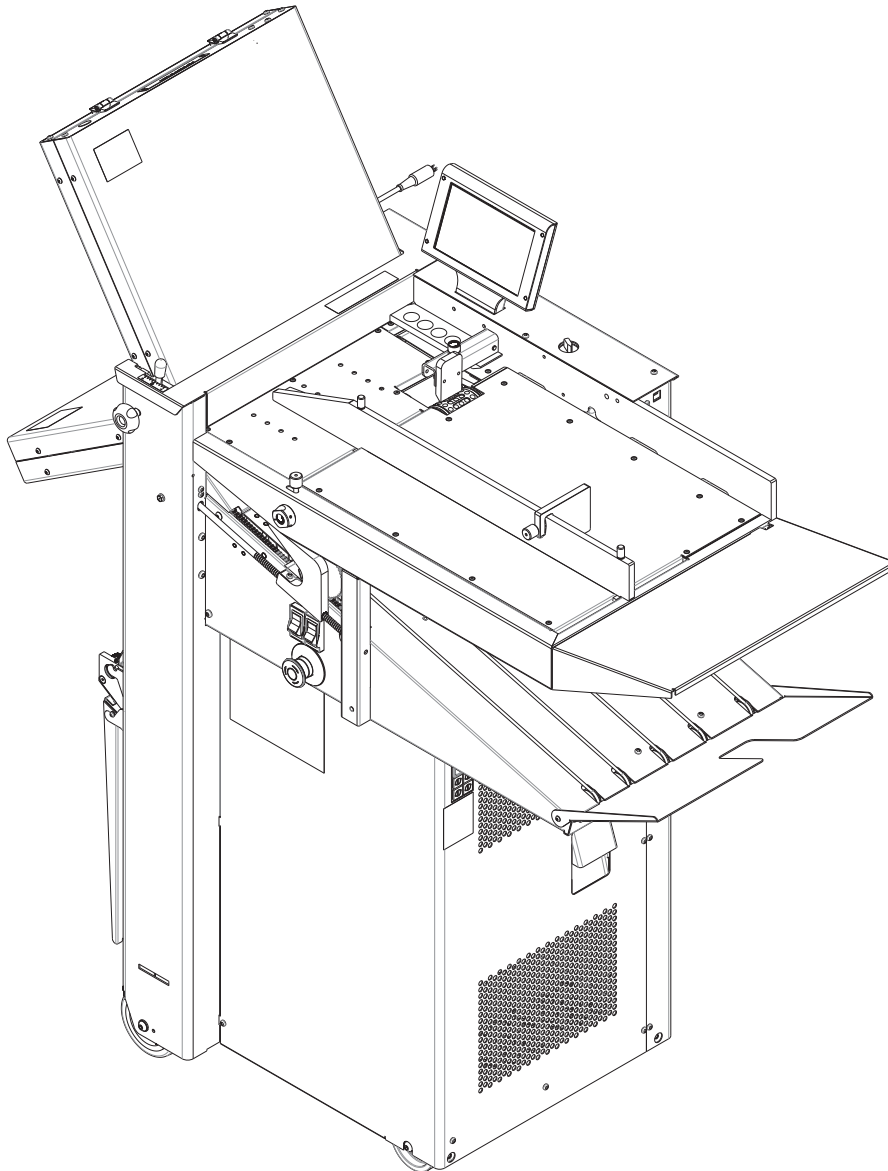
NOTE....

TIP....

To assist you in quickly finding the section you require, there are numbered tabs positioned down the outside edges of each page.

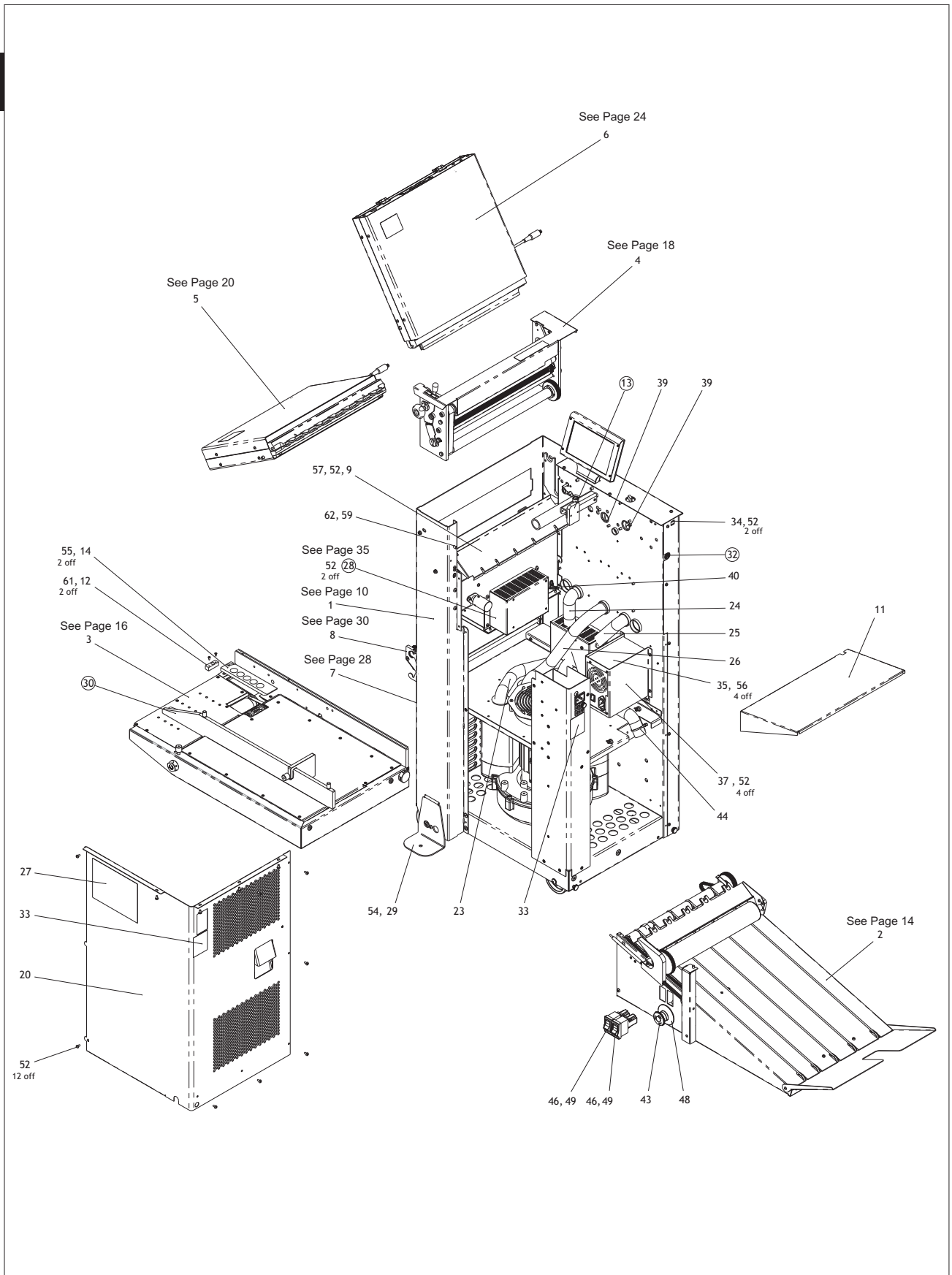
morgana

DocuFold Pro



AUTOMATIC PAPER FOLDING MACHINE

1

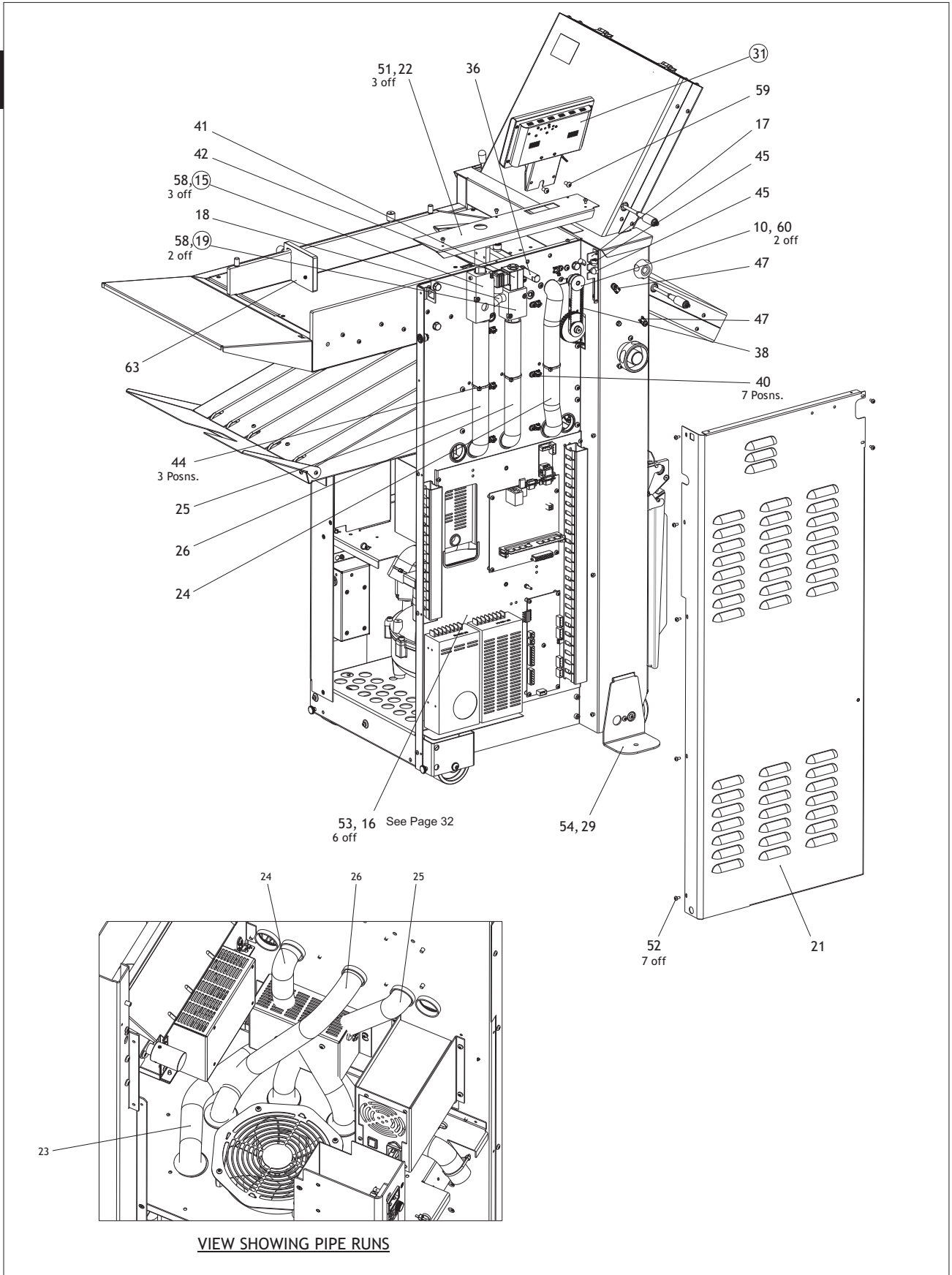


ITEM No.	PART No.	QTY.	DESCRIPTION
1	9-01-07	1	MAIN FRAME ASSEMBLY - Docufold Pro.
2	9-02-05	1	DELIVERY ASSEMBLY _ Major Pro.
3	9-03-06	1	FEED FRAME ASSY - Major Pro.
4	9-06-06	1	FOLD ROLLER ASSEMBLY - Major pro.
5	9-07-15	1	Fold Plate - Auto Deflect - Wide
6	9-07-16	1	FOLD PLATE - Auto Stop - Major Pro.
7	9-08-06	1	Stacker Assembly - Major - Docufold
8	9-08-14	1	PERFORATOR ASSEMBLY - Metric - Docufold Pro (UL).
9	9-028-03	1	CORD GUARD - Delivery - Docufold Pro
11	93-037-02	1	Extension - Loading Table - Major
12	93-042	1	LOWER SENSOR ASSY - Major Pro.
13	94-083	1	PAPERGATE ASSEMBLY - Rectangular.
14	94-088	1	UPPER - SENSOR ASSY. - Major Pro.
20	95-144-01	1	COMPRESSOR PANEL - Major Pro.
23	95-150-01	1	HOSE - Exhaust - Ø25.
24	95-151-01	1	HOSE - Vacuum - Ø25.
25	95-152-01	1	HOSE - Sheet Separation - Ø25.
26	95-153-01	1	HOSE - Valve - Ø25.
27	95-178-01	1	LABEL - DocuFold Pro.
28	95-193-01	1	MOTOR BOARD ASSY> Docufold Pro (UL)
29	71-083-01	2	OUTRIGGER - AutoCreaser / DocuMaster.
30	74-06-06	1	Moving Sidelay - XPS - Major
32	75-356	1	DIN Socket Assy.
33	95-205	2	LABEL - Fuse Ratings
34	75-428-01	1	ETHERNET BRACKET - AutoCreaser Mk4.
35	76-272	1	PSU- SWITCHED MODE- ATX12V - 300W
37	173-020-01	1	PSU MOUNTING BRACKET
39	609-013	2	'O' Ring Ø25 x Ø2.5
40	613-027	8	TIE WRAP _ Small.
43	613-365	1	EMERGENCY STOP SWITCH - Double Pole.
44	613-388	4	TIE WRAP - Long.
46	613-396	2	SWITCH SHROUD.
48	613-496	1	Emergency Stop Label
49	652-011	2	SWITCH - System.
52	401-02-040-008	28	Screw - Pan Pozi Taptite - M4 x 8 Lg.
54	401-02-050-008	7	Screw - Pan Pozi Taptite - M5 x 8 Lg.
55	401-02-050-020	2	Screw - Pan Pozi Taptite - M5 x 20 Lg.
56	401-04-006-312	4	SCREW-PAN POZI-UNC TAPTITE #6-32 x 5/16"
57	402-02-040-008	2	Screw - Csk Hd. Taptite - M4 x 8 Lg.
59	405-01-060-012	3	SCREW - Socket Button Head - M6 x 12 Lg.
61	417-04-006-312	2	Screw - Trunc. Csk Hd. Taptite - #6-32 UNC x 0.312 Lg
62	481-060	1	WASHER - Plain - M6

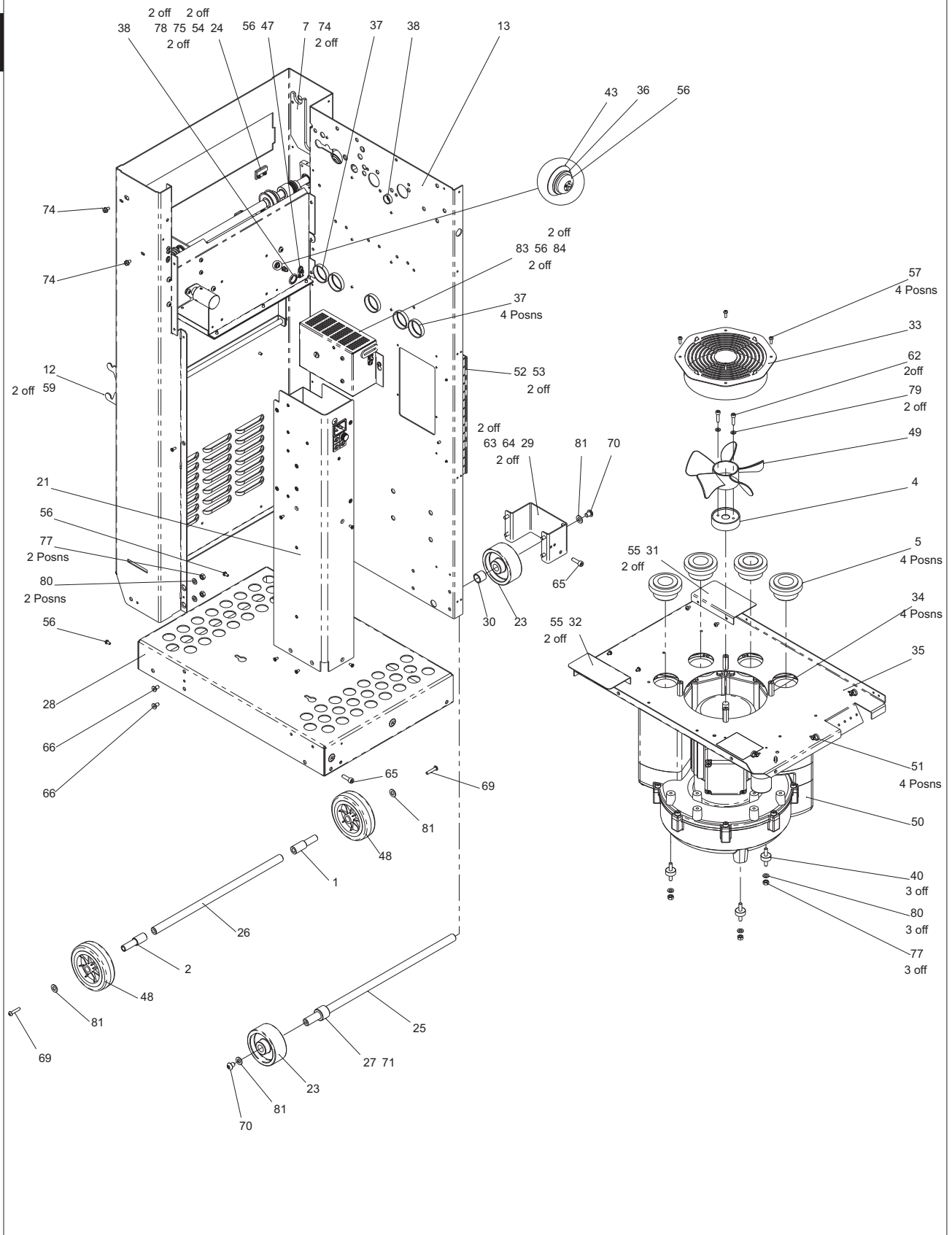
1

THIS SECTION IS CONTINUED ON THE FOLLOWING PAGES

1



2

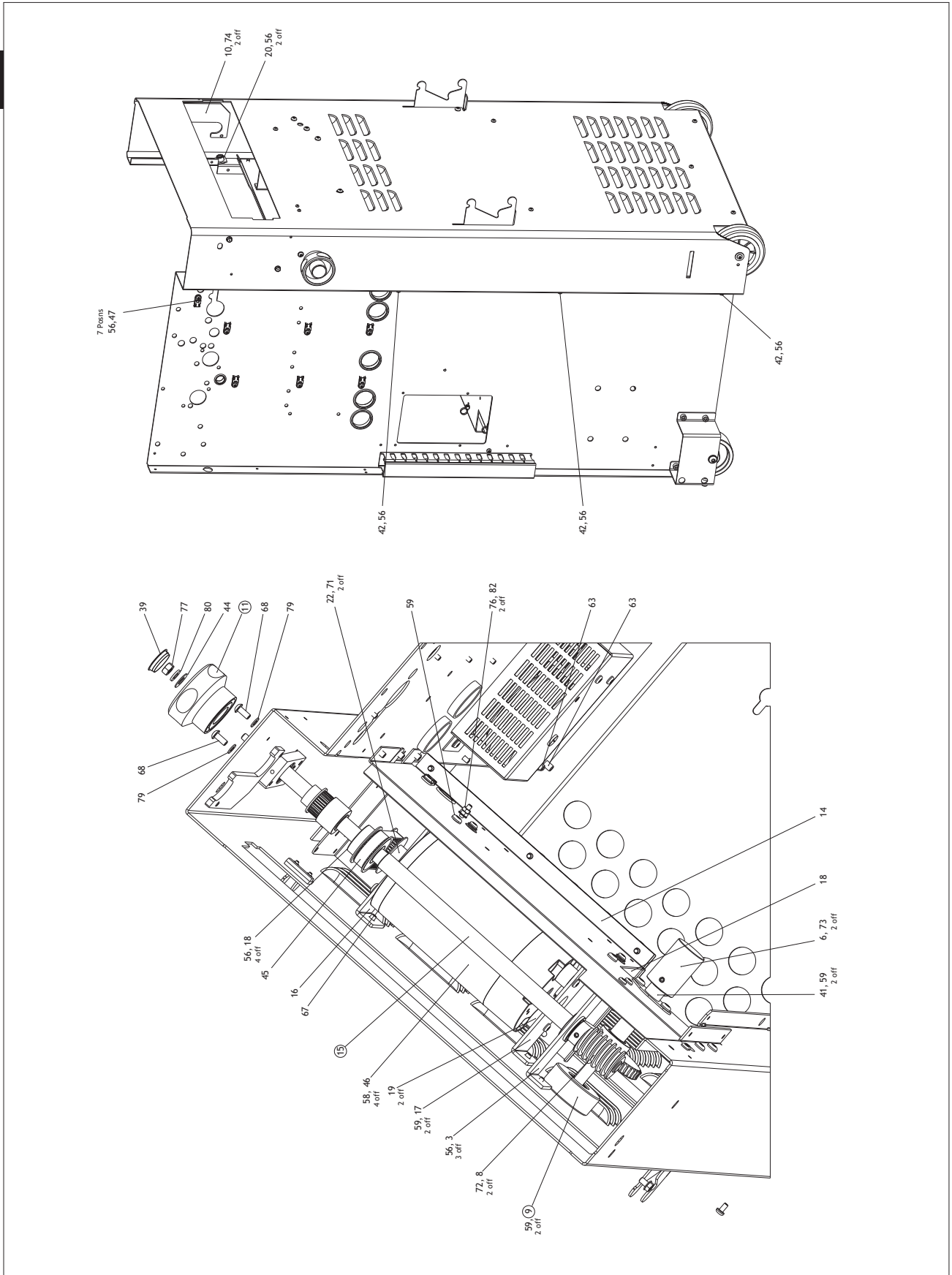


ITEM No.	PART No.	QTY.	DESCRIPTION
1	91-006-06	1	WHEEL TUBE - Lay Side - AutoCreaser 50.
2	91-006-07	1	WHEEL TUBE - Op. Side - DocuFold Pro.
4	91-024-03	1	FAN ADAPTER - Compressor - SV130.
5	91-025	4	BUNG - Compressor Ports.
7	91-033-02	1	LOCATION PLATE - Lay Side - DocuFold Pro.
12	91-110	1	STOWAGE SHAFT ASEMBLY - Major.
13	91-150-01	1	MAIN FRAME - Major Pro.
(21)	95-149-02	1	LEG ASSEMBLY.
23	62-006	2	NYLON WHEEL.
24	65-070	1	SWITCH - Proximity.
25	71-052-05	1	AXLE - AutoCreaser 33 Mk4.
26	71-052-06	1	AXLE - AutoCreaser 33.
27	71-055-01	1	WHEEL COLLAR
28	71-072-01	1	PLINTH - AutoCreaser 33 Mk4.
29	71-073-01	1	SUPPORT - Wheel Axle.
30	71-079-01	1	SPACER.
31	75-208-02	1	Tower Blank - Lay Side
32	75-208-04	1	Tower Blank - Op Side - Major Pro.
(33)	75-229-02	1	Fan Guard Assy - AutoCreaser 33.
34	75-254-02	4	HEX PILLAR - Fan Spacer - M4
35	75-415-01	1	BAFFLE PLATE - AutoCreaser 33 Mk4.
36	173-014-02	2	SHOULDER WASHER - Power Supply.
37	601-015	5	Snap Bushing Ø33.3 x Ø38
38	601-076	2	Snap Bushing Ø15.5 x Ø19
40	601-161	3	VIBRATION MOUNT - Stud.
43	604-037	2	DISC SPRING - Bearing Location
47	613-339	8	CABLE TIE MOUNTING
48	617-008	2	Wheel - Ø100
49	621-025	1	FAN - PLASTIC 5 BLADE 6" CCW
50	621-037	1	BLOWER - SV130 (UL).
51	650-028	4	CABLE TIE MTG. - Push Fit.
52	650-096	1	Open Slot Trunking 25mm x 37.5mm
53	650-097	2	SNAP RIVET - NYLON - Ø4.2 HOLE
54	401-02-030-010	2	Screw - Pan Pozi Taptite - M3 x 10 Lg.
55	401-02-040-006	4	Screw - Pan Pozi Taptite - M4 x 6 Lg.
56	401-02-040-008	30	Screw - Pan Pozi Taptite - M4 x 8 Lg.
57	401-02-040-012	4	Screw - Pan Pozi Taptite - M4 x 12 Lg.
59	401-02-050-008	16	Screw - Pan Pozi Taptite - M5 x 8 Lg.
62	403-01-050-020	2	SCREW - Socket Cap Head - M5 x 20 Lg.
63	403-01-060-010	4	SCREW - Socket Cap Head - M6 x 10 Lg.
64	403-01-060-012	2	SCREW - Socket Cap Head - M6 x 12 Lg.
65	403-01-060-020	2	SCREW - Socket Cap Head - M6 x 20 Lg.
66	404-01-060-012	2	SCREW - Socket Countersunk Head - M6 x 12 Lg.
69	405-01-050-025	2	SCREW - Socket Button Head - M5 x 25 Lg.
70	405-01-080-010	2	SCREW - Socket Button Head - M8 x 12 Lg.
71	409-01-040-006	3	Screw - Skt Set Screw - Flat Pt. - M4 x 6 Lg.
74	415-02-050-008	4	Screw - Hexagon Head - Taptite - M5 x 8 Lg.
75	461-01-030	2	NUT - Full - M3
77	461-01-060	6	NUT - Full - M6
78	481-030	2	WASHER - Plain - M3
79	481-050	5	WASHER - Plain - M5
80	481-060	6	WASHER - Plain - M6
81	481-080	4	WASHER - Plain - M8
(83)	75-530-01	1	TOROIDAL TRANSFORMER ASSY.
84	481-040	2	WASHER - Plain - M4

2

THIS SECTION IS CONTINUED ON THE FOLLOWING PAGES

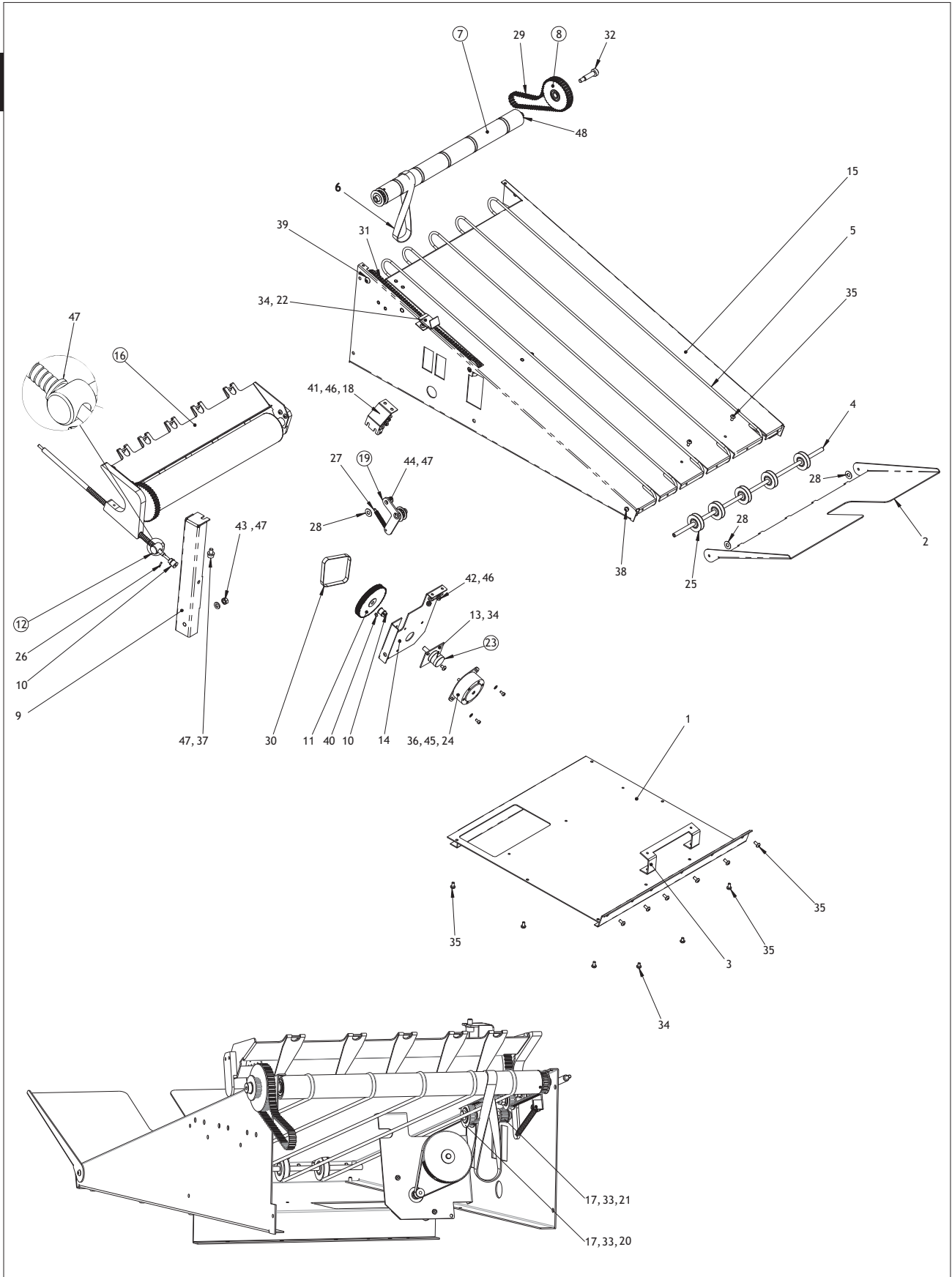
2



ITEM No.	PART No.	QTY.	DESCRIPTION
3	91-011	1	SHAFT HANGER.
6	91-027-01	1	Belt Drive Pulley - Delivery
8	91-041	1	WORM - L/H Single Start.
(9)	91-042-02	1	KEY DRIVE ASSEMBLY - Major
10	91-054	1	LOCATION PLATE - Op. Side.
(11)	91-070	1	HANDWHEEL ASSEMBLY.
14	91-151-01	1	CROSS STRAP - DocuFold Pro.
(15)	91-153-01	1	TRANSMISSION SHAFT ASSY - Major Pro.
16	91-154-01	1	BRACKET - Motor Mtg. Plate.
17	91-154-02	1	BRACKET - Motor Mtg. Plate.
18	91-158-01	1	MOTOR SHIELD - Major Pro.
19	91-160-01	2	SPACER.
20	92-036	1	SUPPORT BRACKET - Leadscrew.
22	01-082	1	TIMING PULLEY - 22XL - Wide Flanged.
39	601-137	1	SHORTY PLUG.
41	602-045	1	FLANGED SPYRALIGN BUSH
42	603-041	3	SPIROL SPACER - Ø4 x Ø5.65 x 4 Lg.
44	605-004	1	Thrust Washer - Ø8 x Ø15.88 x 0.79
45	607-005	1	TIMING BELT - 100 XL - 037.
46	95-194	1	MOTOR - PERM MAGNET - LEMAC
47	613-339	8	CABLE TIE MOUNTING
56	401-02-040-008	30	Screw - Pan Pozi Taptite - M4 x 8 Lg.
58	401-02-040-025	2	Screw - Pan Pozi Taptite - M4 x 25 Lg.
59	401-02-050-008	16	Screw - Pan Pozi Taptite - M5 x 8 Lg.
63	403-01-060-010	4	SCREW - Socket Cap Head - M6 x 10 Lg.
67	405-01-050-010	1	SCREW - Socket Button Head - M5 x 10 Lg.
68	405-01-050-012	2	SCREW - Socket Button Head - M5 x 12 Lg.
71	409-01-040-006	3	Screw - Skt Set Screw - Flat Pt. - M4 x 6 Lg.
72	409-01-050-005	2	Screw - Skt Set Screw - Flat Pt. - M5 x 5 Lg.
73	409-01-050-010	2	Screw - Skt Set Screw - Flat Pt. - M5 x 10 Lg.
74	415-02-050-008	4	Screw - Hexagon Head - Taptite - M5 x 8 Lg.
76	461-01-040	2	NUT - Full - M4
77	461-01-060	6	NUT - Full - M6
79	481-050	5	WASHER - Plain - M5
80	481-060	6	WASHER - Plain - M6
82	485-040	1	Washer - Shakeproof - M4

2

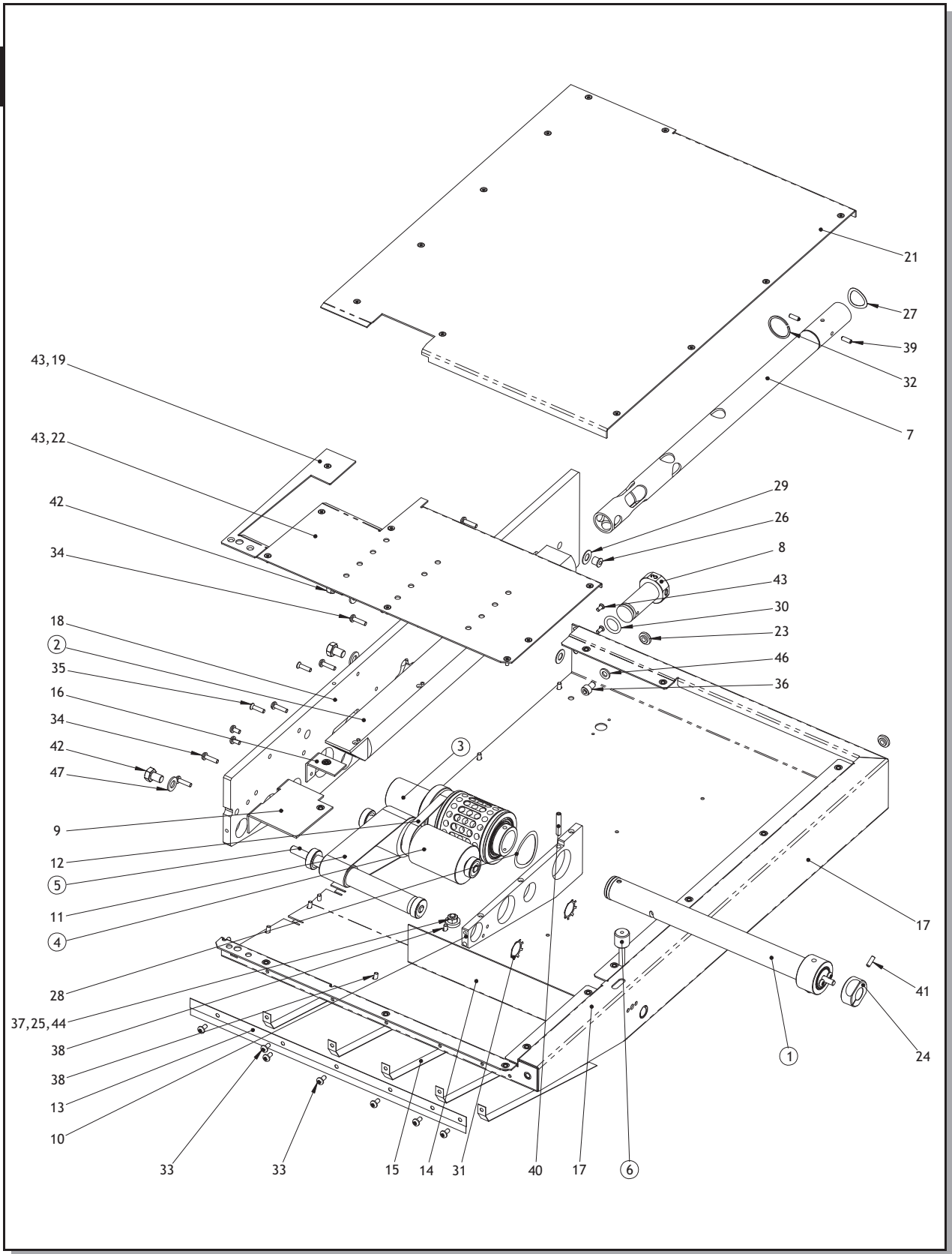
3



ITEM No.	PART No.	QTY.	DESCRIPTION
1	92-002-03	1	DELIVERY COVER - Lower - DocuFold Pro.
2	92-003-02	1	STACKER - Hinged.
3	92-004	1	SUPPORT STRAP.
4	92-005-02	1	Shaft-Delivery Idler
5	92-010	5	Transport Belt - Delivery
6	92-027-01	1	Flat Drive Belt - Delivery
⑦	92-029-03	1	CORD ROLLER ASSEMBLY - Delivery - DocuFold Pro.
⑧	92-030	1	Delivery Idler Assy
9	92-040-02	1	Grab Handle - Auto - Wide Docufold
10	92-042	2	Timing Pulley - T2.5 - 13T
11	92-043	1	Timing Pulley - T2.5 - 84T
⑫	92-045	1	SUPPORT BARREL ASSEMBLY - Major Pro.
13	92-049	1	MOUNTING PLATE - Pot.
14	92-052-01	1	Mounting Chassis - Motor - Wide Docufold
15	92-058-01	1	DELIVERY FRAME - DocyFold Pro.
⑬	92-059-01	1	DELIVERY ROLLER ASSEMBLY - Major pro.
17	92-063-01	2	SPINDLE - Delivery Roller Idler.
18	92-064-01	1	BRACE - Delivery Frame - DocuFold Pro.
⑰	92-067-01	1	BELT TENSIONER ASSEMBLY.
⑳	92-069-01	1	DELIVERY IDLER PULLEY ASSEMBLY - DocuFold Pro.
㉑	92-069-02	1	DELIVERY IDLER PULLEY ASSEMBLY - DocuFold Pro.
22	92-070-01	1	PULLEY GUARD - Delivery.
㉓	95-187	1	Pot & Lead Assy.
㉔	97-076	1	Stepper Motor & Lead Assy
25	602-047	5	Idler Pulley
26	603-069	1	Spirol Pin - Ø5/64" x 3/8" Lg.
27	604-111	1	SPRING - Extension.
28	605-040	3	Thrust Washer - Ø8 x Ø15.88 x 0.79
29	607-022	1	Twin Gip Timing Belt - 140XLD/12
30	607-160	1	Timing Belt
31	607-186	1	Twin Gip Timing Belt - 230XLD/025
32	608-006	1	Shoulder Bolt - Ø8(M6) x 25 Lg.
33	615-010	2	CIRCLIP - EXTERNAL - Ø10
34	401-02-040-006	5	Screw - Pan Pozī Taptite - M4 x 6 Lg.
35	401-02-040-008	14	Screw - Pan Pozī Taptite - M4 x 8 Lg.
36	403-01-030-006	2	SCREW - Socket Cap Head - M3 x 6 Lg.
37	403-01-060-010	1	SCREW - Socket Cap Head - M6 x 10 Lg.
38	405-01-040-008	2	SCREW - Socket Button Head - M4 x 8 Lg.
39	405-01-060-012	1	SCREW - Socket Button Head - M6 x 12 Lg.
40	409-01-040-008	1	Screw - Skt Set Screw - Flat Pt. - M4 x 8 Lg.
41	461-01-040	4	NUT - Full - M4
42	464-01-040	2	NUT - NYLOC - M4
43	461-01-060	1	NUT - Full - M6
44	464-01-060	1	NUT - NYLOC - M6
45	481-030	2	WASHER - Plain - M3
46	481-040	6	WASHER - Plain - M4
47	481-060	4	WASHER - Plain - M6
48	481-080	1	WASHER - Plain - M8

3

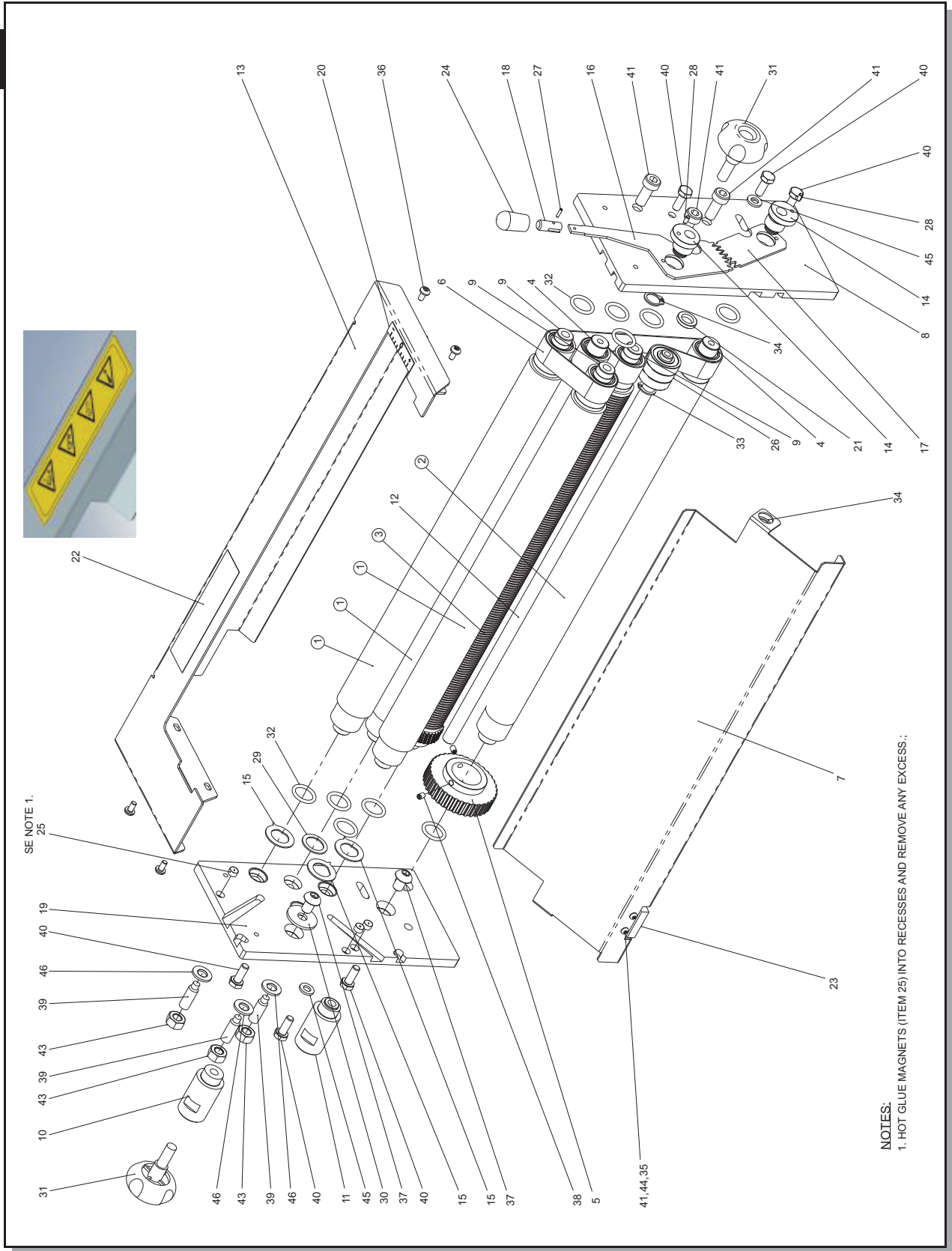
4



ITEM No.	PART No.	QTY.	DESCRIPTION
①	73-05-02	1	CHOKE BLEED ASSEMBLY - Major.
②	93-029	1	Manifold Tube Assy
③	93-030-02	1	VACUUM ROLLER ASSY - With Sensor
④	93-031	1	Feed Drum Assy - Idler
⑤	93-032	1	Feed Drum Assy - Drive
⑥	92-054	1	KNOB ASSY. - Choke Adjuster.
7	93-004	1	Air Distribution Tube
8	93-005	1	Knob - Air Distribution
9	93-007	1	BELT SUPPORT.
10	93-010	1	Support Plate
11	93-021	1	Feed Belt
12	93-022	1	Vacuum Roller Drive Belt
13	93-024-02	1	Anti-Static Brush Strip
14	93-027-02	1	Baffle - Feed System
15	93-028	5	Smoother - Delivery
16	93-033	1	Support Bracket - Control Bed
17	93-040-01	1	FRAME - Feed System - Major Pro.
18	93-041-01	1	MANIFOLD PLATE - Major Pro.
19	94-003	1	CONTROL BED.
20	94-021	1	LABEL - Papergate 'UP'.
21	94-051-02	1	LOADING TABLE - Major.
22	94-052-02	1	Feed Bed
23	73-004	2	Key Hole Latch - Creaser
24	73-066-01	1	KNOB - Vac Bleed
25	51-095	1	Clamp Washer
26	601-088	1	Spring Plunger - Press In
27	604-060	1	WAVED WASHER.
28	604-062	1	Waved Washer
29	605-004	2	Thrust Washer - Ø8 x Ø15.88 x 0.79
30	609-014	1	'O' Ring Ø15 x Ø3
31	615-035	2	Metric Push-in Fix
32	615-040	1	Retaining Ring - External - Ø25
33	401-02-040-008	16	Screw - Pan Pozi Ta ptite - M4 x 8 Lg.
34	401-02-040-016	9	Screw - Pan Pozi Ta ptite - M4 x 16 Lg.
35	402-02-040-016	2	Screw - Csk Hd. Ta ptite - M4 x 16 Lg.
36	403-01-060-010	2	SCREW - Socket Cap Head - M6 x 10 Lg.
37	403-01-060-012	1	SCREW - Socket Cap Head - M6 x 12 Lg.
38	403-01-040-008	4	SCREW - Socket Cap Head - M4 x 8 Lg.
39	407-01-040-012	2	Screw - Socket Set Knurled - M4 x 12 Lg.
40	408-01-050-030	1	Screw Skt Cone Pt - M5 x 30 Lg.
41	409-01-040-012	1	Screw - Skt Set Screw - Flat Pt. - M4 x 12 Lg.
42	414-01-080-012	3	Bolt - Hexagon Head - M6 x 12 Lg.
43	417-04-006-312	21	Screw - Csk Hd. Ta ptite - #6-32 UNC x 0.312 Lg
44	461-01-060	1	NUT - Full - M6
45	481-040	4	WASHER - Plain - M4
46	481-060	2	WASHER - Plain - M6
47	481-080	3	WASHER - Plain - M8

4

5

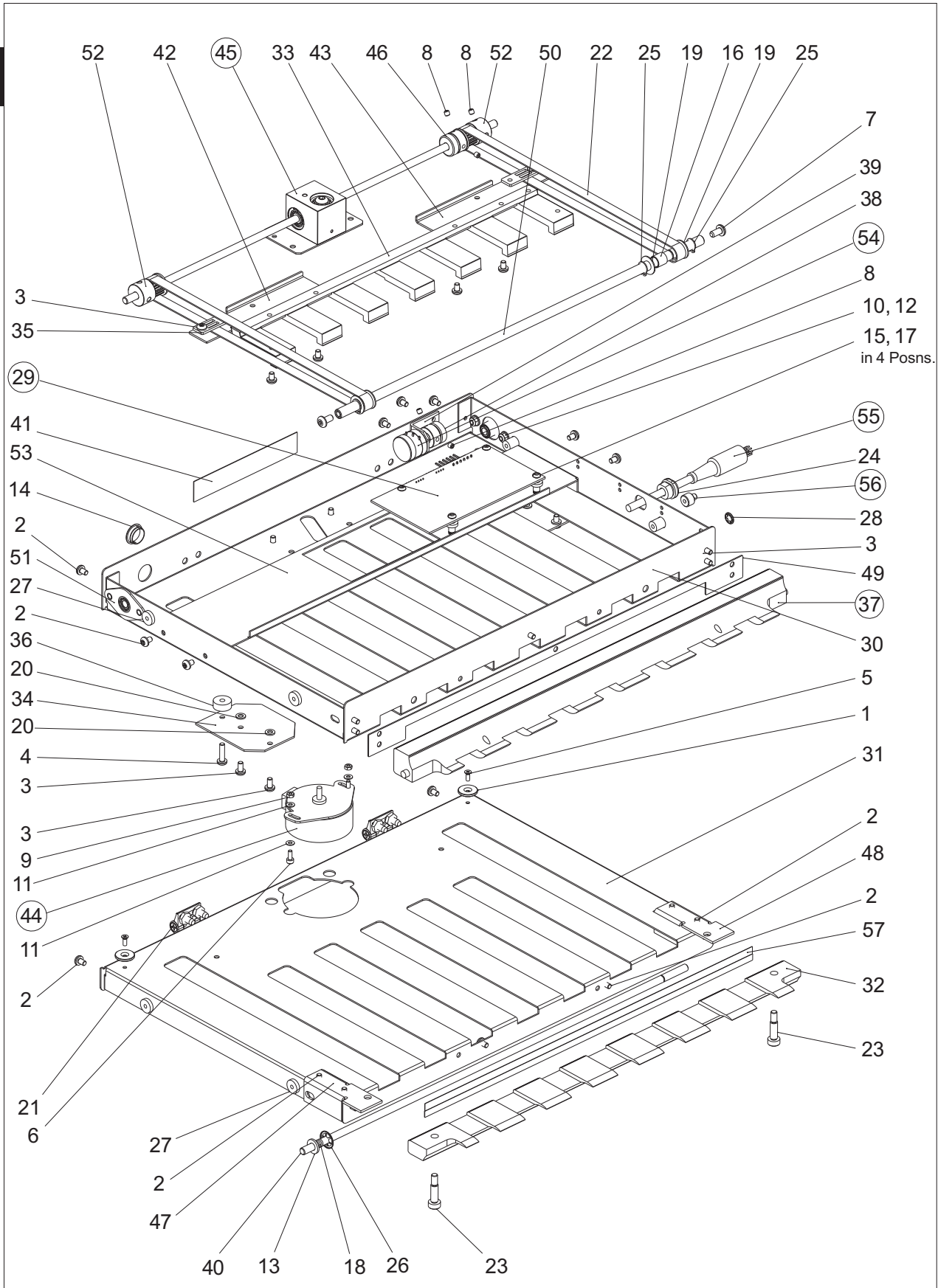


NOTES:
1. HOT GLUE MAGNETS (ITEM 25) INTO RECESSES AND REMOVE ANY EXCESS;

ITEM No.	PART No.	QTY.	DESCRIPTION
①	96-028-02	3	Fold Roller Assy - Standard - Wide
②	96-036-02	1	Drive Roller Assy - Crowned - Wide
③	96-049-02	1	FOLD ROLLER ASSY. - Bottom - Wide - Major.
4	96-009-02	2	Roller Support Shaft
5	96-010	1	Large Tube Pulley - 36XL
6	96-031	1	DRIVE BELT - Wide.
7	96-032-02	1	Roller Guard - Wide Belt
8	96-037	1	Side Plate (Gap) - Op Side
9	96-039-02	3	Roller Shaft (Gap Set)
10	96-040-02	1	BUSH - Roller Tilt - DocuFold Pro.
11	96-040-03	1	BUSH - Roller Tilt - DocuFold Pro.
12	96-041-02	1	Idler Shaft
13	96-042-03	1	ENTRY GUARD - Major Pro.
14	96-043	2	Eccentric Bush - Roller Tilt
15	96-044	3	Indicator - Roller Position
16	96-045	1	Tilt Lever - Toothed
17	96-046	1	Tilt Plate - Toothed
18	96-047	1	Knob - Roller Tilt Lever
19	96-052	1	Side Plate (Gap) - Lay Side
20	96-053	1	Label - Roller Tilt
21	12-013	1	SPACER.
22	123-059	1	Label - Safety Warnings
23	601-021	1	Magnetic Actuator
24	601-111	1	Tapered Ferrule
25	601-180	1	MAGNET - Ø3 x 3 Long
26	602-001	3	BEARING-Deep Groove Ball - 6000ZZ
27	603-033	1	Tension Pin - Ø2 x 8 Long
28	603-060	2	Spirol Coiled - Ø3 x 6 Lg.
29	605-049	1	WASHER - Ø15 x Ø21 x 1
30	605-075	1	Mudguard Washer - Ø25 x M8
31	606-030	2	Scallop Knob - Black
32	609-023	10	O' Ring Ø15 x Ø2.5
33	615-005	1	Circlip-External-No Groove M1440-0100
34	615-015	2	Circlip External Ø12
35	401-02-030-008	2	Screw - Pan Pozi Taptite - M3 x 8 Lg.
36	401-02-040-008	4	Screw - Pan Pozi Taptite - M4 x 8 Lg. g.
37	405-01-080-012	2	SCREW - Socket Button Head - M8 x 12 L
38	407-01-040-006	2	Screw - Socket Set Knurled - M4 x 6 Lg.
39	411-01-080-025	3	SCREW - Skt Set Dog Pt. - M8 x 25 Lg.
40	415-01-060-016	6	Hex Hd. Setscrew - M6 x 16 Lg.
41	419-01-080-012	3	Screw - Skt. - Low Hd. Cap - M8 x 12
42	461-01-030	2	NUT - Full - M3
43	461-01-080	3	NUT - Full - M8
44	481-030	2	WASHER - Plain - M3
45	481-060	2	WASHER - Plain - M6
46	481-080	3	WASHER - Plain - M8

5

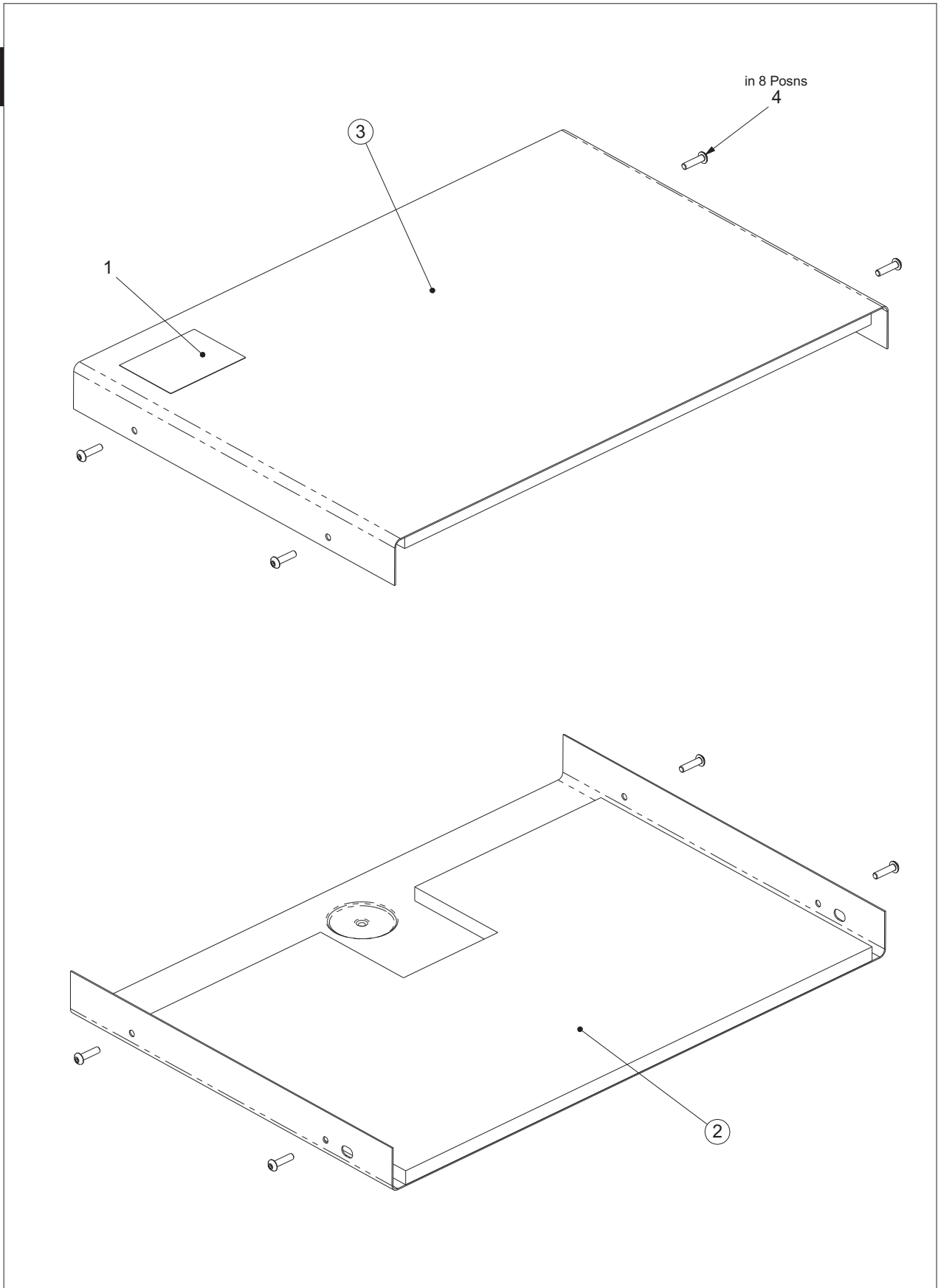
6



ITEM No.	PART No.	QTY.	DESCRIPTION
1	97-144-01	2	SPACER - Fold Plate.
2	401-02-040-006	23	Screw - Pan Pozi Taptite - M4 x 6 Lg.
3	401-02-040-008	12	Screw - Pan Pozi Taptite - M4 x 8 Lg.
4	401-02-040-016	2	Screw - Pan Pozi Taptite - M4 x 16 Lg.
5	402-02-030-080	2	SCREW - Countersunk Pozi Taptite - M6 x 8 Lg.
6	403-01-030-008	2	Screw - Socket Cap Head - M3 x 8 Lg.
7	405-01-050-010	2	Screw - Button Hd. - M5 x 10 Lg.
8	409-01-040-004	8	Screw - Socket Set - Flat Point - M4 x 4 Lg.
9	461-01-030	2	Nut - Full - M3
10	461-01-040	4	Nut - Full - M4
11	481-030	4	Washer - Plain - M3
12	481-040	4	Washer - Plain - M4
13	481-060	1	Washer - Plain - M6
14	601-091	1	SHORTY PLUG.
15	601-121	4	Nylon Screw Pan Hd Slotted #6-32 x 5/16"
16	602-064	2	BEARING - Dawn Cup Needle Roller - HK0810
17	603-065	4	Washer - Nylon - Ø3.3 x Ø9.7 x 2.4 Long
18	604-065	1	SPRING - Compression
19	605-004	4	Thrust Washer - Ø8 x Ø15.88 x 0.79
20	605-042	4	Nylon Washer - Ø4.3x Ø8 x 1.0
21	606-019	2	Hinge - Adjustable Black Acetyl
22	607-026	2	Toothed Belt - 132XL
23	608-004	2	Shoulder Bolt - Ø6(M5) x 16 Lg.
24	613-151	1	Strain Relief Bush
25	615-007	4	CIRCLIP - External - Ø8
26	615-027	1	Starlock Washer - Ø6
27	615-032	8	Flex Loc Bush - M4
28	615-077	1	Starlock Washer Ø5
29	90-08-01	1	Fold Plate Motor Drive PCB
30	97-001-02	1	Top Box - Deflector - Wide
31	97-003-02	1	Bottom Box - Deflector - Wide
32	97-007-02	1	Bottom Rail - Deflector
33	97-009-03	1	Deflector (Extruded)
34	97-012	2	Deflector Guide
35	97-016	2	Belt Clamp
36	97-017	2	GUIDE SPACER - Carriage
37	97-019-02	1	Top Rail Assy - Deflector - Wide
38	97-032	1	Control Gear - Pot
39	97-033	1	Potentiometer Bracket
40	97-034-02	1	Latching Shaft
41	97-038	1	Label - Pull Down to Lock
42	97-073-02	1	Deflector Carraige - Op Side
43	97-074-02	1	Deflector Carraige - Drive Side
44	97-076	1	Stepper Motor & Lead Assy
45	97-085-02	1	Gearbox Assy - Auto Plate - Wide
46	97-086	1	CONTROL GEAR - Shaft.
47	97-087	1	Latching Bracket - Op Side
48	97-088	1	Latching Bracket - Lay Side
49	97-093-02	1	SPACER PLATE - Top Rail (Defl.) - Major.
50	97-107-02	1	Idler Shaft - Auto Idlers
51	97-108	2	Flange - Needle Bearing
52	97-109	2	Control Pulley 10XL Flanged Auto
53	97-116-02	1	Bracket - Motor PCB - Wide
54	97-121	1	Pot & Lead Assy.
55	97-153	1	Lead - Lower Fold Plate to PCB
56	97-156-01	1	Fold Plate Sensor Assembly
57	98-013-02	1	ANTI-STATIC STRIP (Tape).

THIS SECTION IS CONTINUED ON THE FOLLOWING PAGES

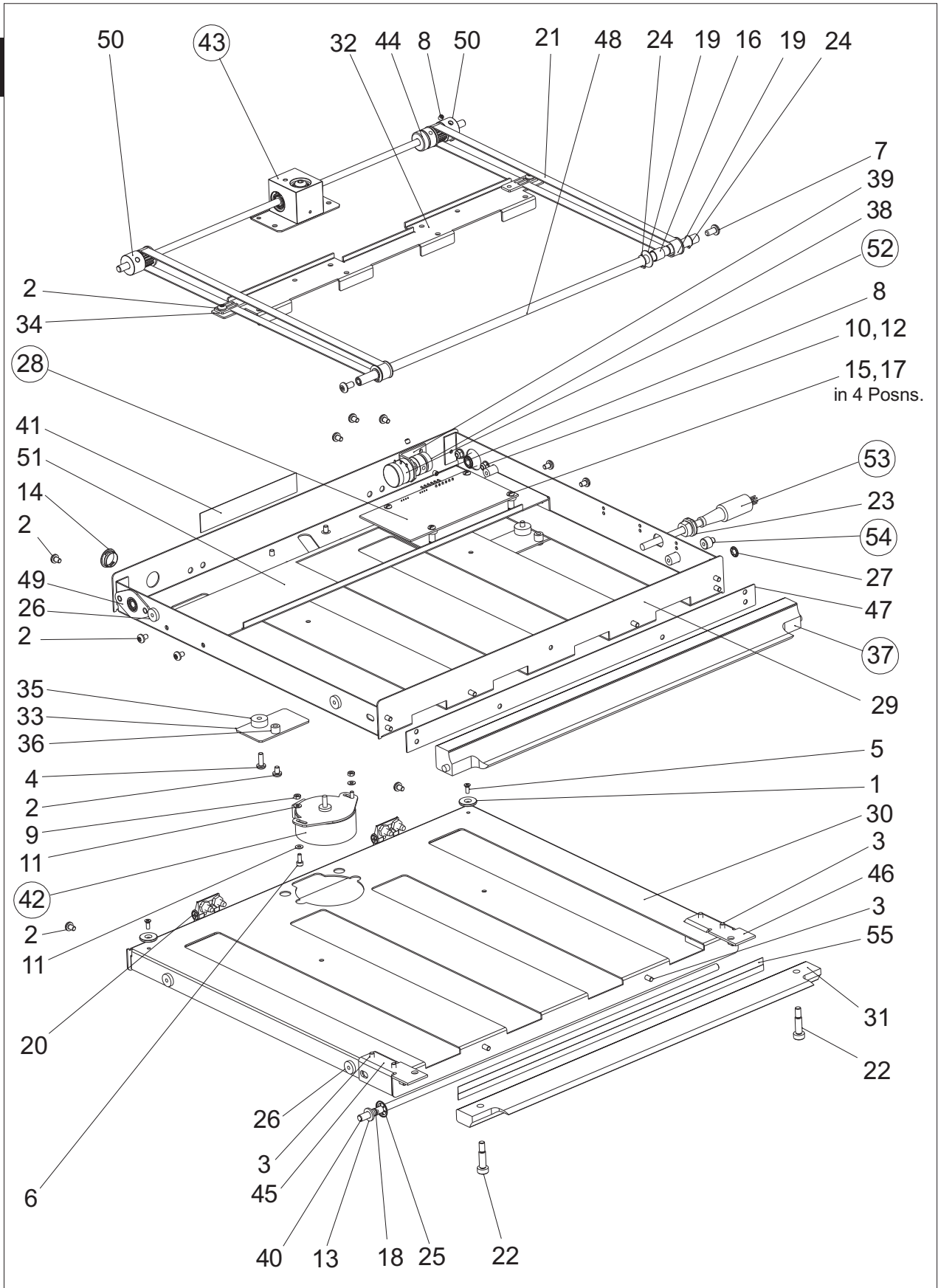
6



ITEM No.	PART No.	QTY.	DESCRIPTION
1	75-465-01	1	LABEL - Morgana - Small
②	97-065-02	1	Bottom Cover Assy - Digital Deflector - Wide
③	97-081-02	1	Top Cover Assy - Auto Deflect - Wide
4	405-01-040-016	8	SCREW - Socket Button Head - M4 x 16 Lg.



7

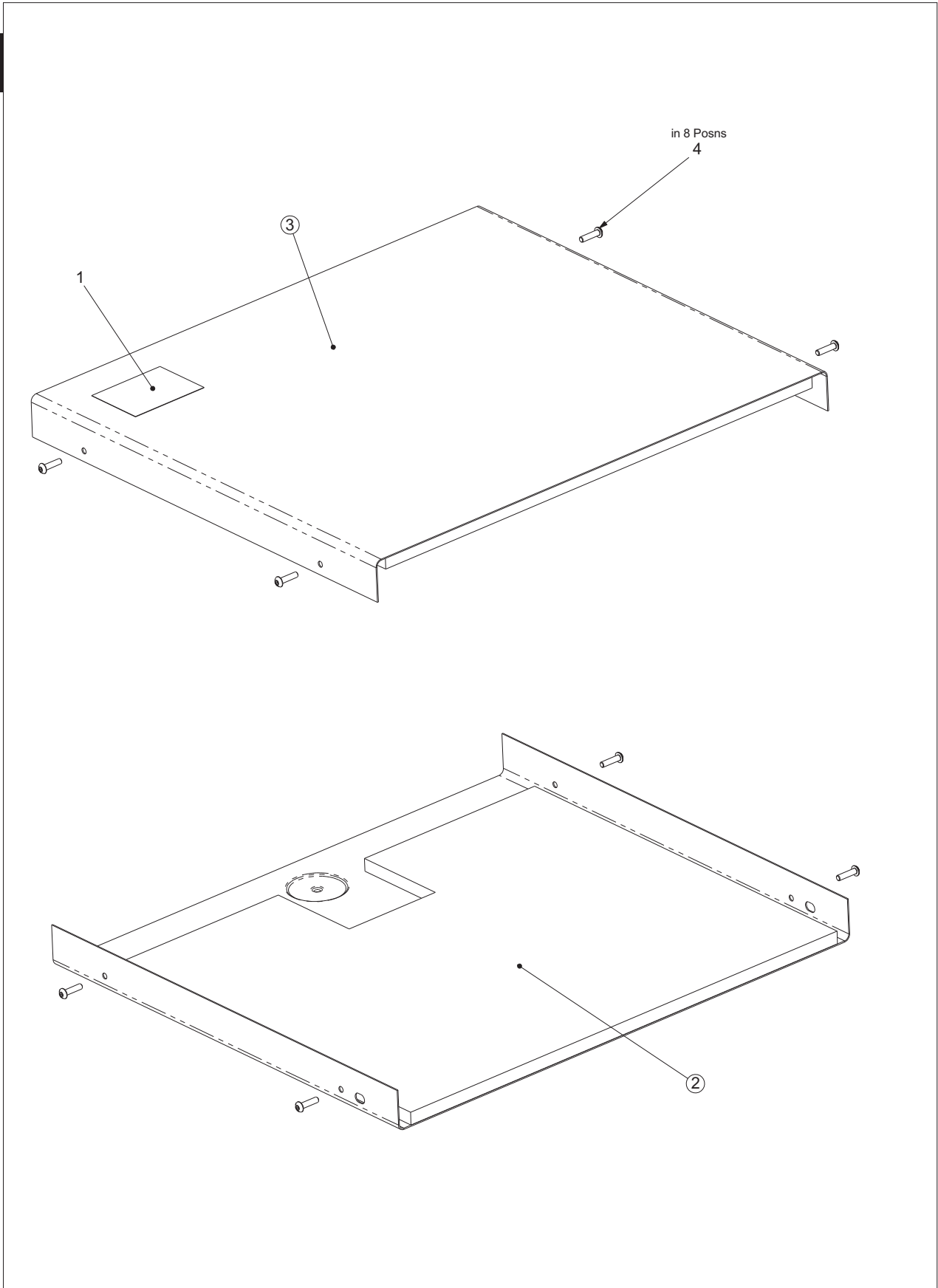


ITEM No.	PART No.	QTY.	DESCRIPTION
1	97-144-01	2	SPACER - Fold Plate.
2	401-02-040-006	16	Screw - Pan Pozi Taptite - M4 x 6 Lg.
3	401-02-040-008	14	Screw - Pan Pozi Taptite - M4 x 8 Lg.
4	401-02-040-012	2	Screw - Pan Pozi Taptite - M4 x 12 Lg.
5	402-02-030-080	2	SCREW - Countersunk Pozi Taptite - M6 x 8 Lg.
6	403-01-030-008	2	Screw - Socket Cap Head - M3 x 8 Lg.
7	405-01-050-010	2	Screw - Button Hd. - M5 x 10 Lg.
8	409-01-040-004	6	Screw - Socket Set - Flat Point - M4 x 4 Lg.
9	461-01-030	2	Nut - Full - M3
10	461-01-040	4	Nut - Full - M4
11	481-030	4	Washer - Plain - M3
12	481-040	4	Washer - Plain - M4
13	481-060	1	WASHER - Plain - M6
14	601-091	1	SHORTY PLUG.
15	601-121	4	Nylon Screw Pan Hd Slotted #6-32 x 5/16"
16	602-064	2	BEARING - Dawn Cup Needle Roller - HK0810
17	603-065	4	Washer - Nylon - Ø3.3 x Ø9.7 x 2.4 Long
18	604-065	1	SPRING - Compression
19	605-004	4	Thrust Washer - Ø8 x Ø15.88 x 0.79
20	606-019	2	Hinge - Adjustable Black Acetyl
21	607-025	2	Toothed Belt - 132XL
22	608-004	2	Shoulder Bolt - Ø6(M5) x 16 Lg.
23	613-151	1	Strain Relief Bush
24	615-007	4	CIRCLIP - External - Ø8
25	615-027	1	Starlock Washer - Ø6
26	615-032	8	Flex Loc Bush - M4
27	615-077	1	Starlock Washer Ø5
(28)	90-08-01	1	Fold Plate Motor Drive PCB
29	97-002-02	1	Top Box - Stop - Wide
30	97-004-02	1	Bottom Box - Stop - Wide
31	97-008-02	1	Bottom Rail - Stop
32	97-010-03	1	Stop
33	97-014	2	Stop Guide
34	97-016	2	Belt Clamp
35	97-017	2	GUIDE SPACER - Carriage
36	97-018	2	STOP SPACER - Carriage.
(37)	97-020-02	1	Top Rail Assy - Stop - Wide
38	97-032	1	Control Gear - Pot
39	97-033	1	Potentiometer Bracket
40	97-034-02	1	Latching Shaft
41	97-038	1	Label - Pull Down to Lock
(42)	97-076	1	Stepper Motor & Lead Assy
(43)	97-085-02	1	Gearbox Assy - Auto Plate - Wide
44	97-086	1	CONTROL GEAR - Shaft.
45	97-087	1	Latching Bracket - Op Side
46	97-088	1	Latching Bracket - Lay Side
47	97-094-02	1	Spacer Plate - Top Rail (Stop)
48	97-107-02	1	Idler Shaft - Auto Idlers
49	97-108	2	Flange - Needle Bearing
50	97-109	2	Control Pulley 10XL Flanged Auto
51	97-116-02	1	Bracket - Motor PCB - Wide
(52)	97 121	1	Pot & Lead Assy.
(53)	97-154	1	Lead - Upper Fold Plate to PCB
(54)	97-156-01	1	Fold Plate Sensor Assembly
55	98-013-02	1	ANTI-STATIC STRIP (Tape).

7

THIS SECTION IS CONTINUED ON THE FOLLOWING PAGES

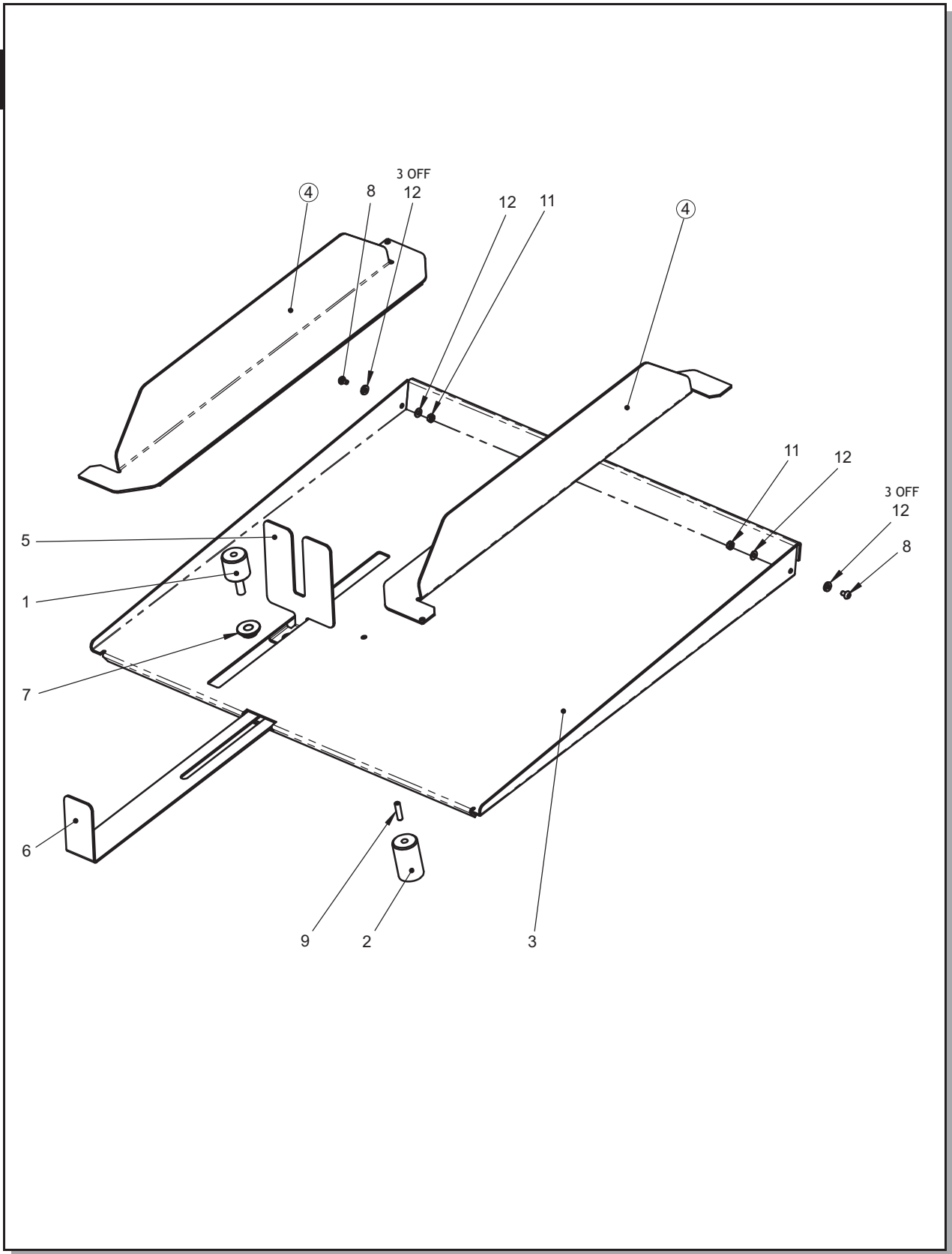
7



ITEM No.	PART No.	QTY.	DESCRIPTION
1	75-465-01	1	LABEL - Morgana - Small
②	97-066-02	1	Bottom Cover Assy - Digital Stop - Wide
③	97-082-02	1	Top Cover Assy - Auto Stop - Wide
4	405-01-040-016	8	SCREW - Socket Button Head - M4 x 16 Lg.

7

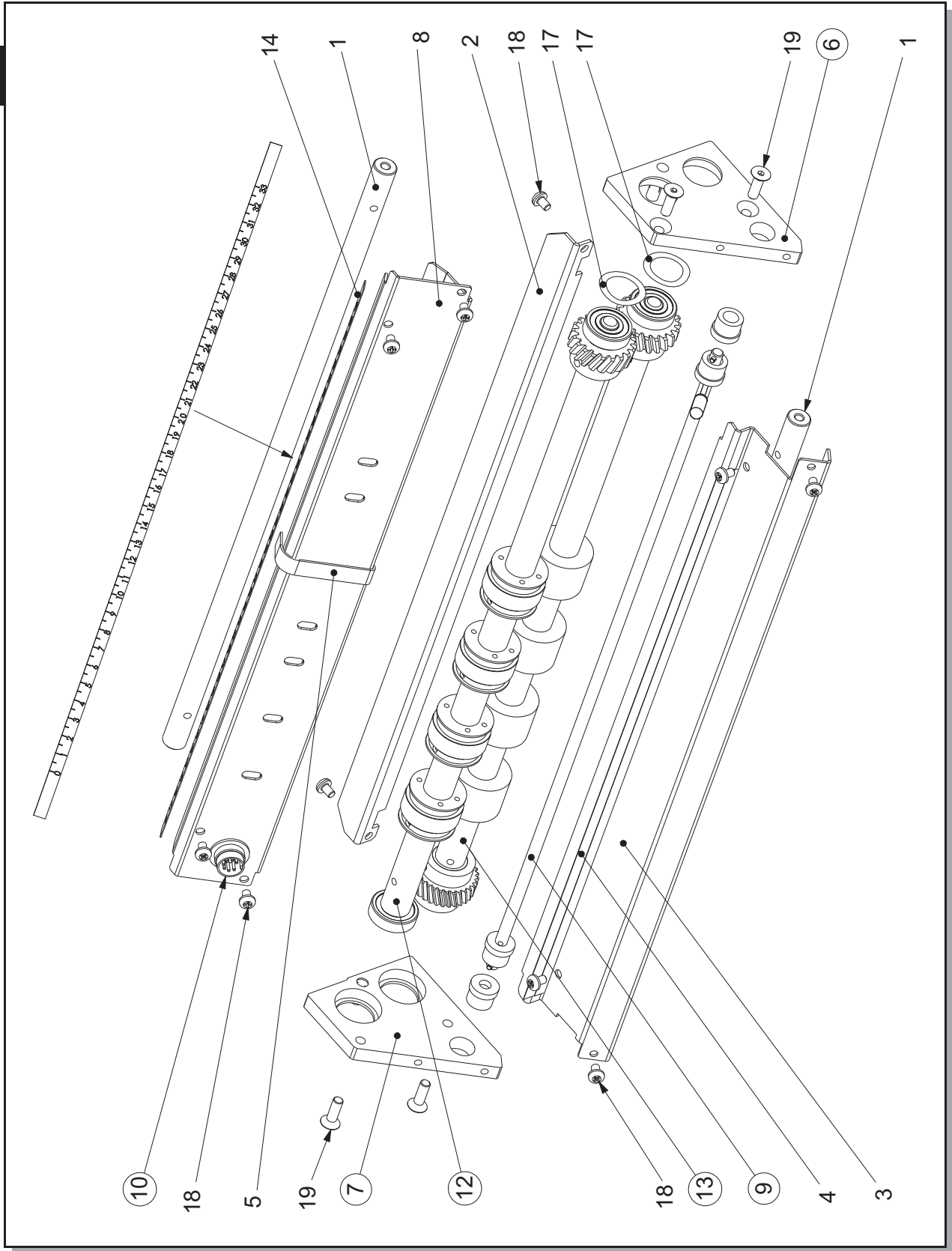
8



ITEM No.	PART No.	QTY.	DESCRIPTION
1	28-021	1	UNIVERSAL KNOB - M6 - Ø20 - Black
2	89-017	1	EXTENDED KNOB.
3	98-015-02	1	Stacker Bed - Perforator
④	98-025	2	STACKER GUIDE ASSEMBLY.
5	98-033	1	STACKER BACKSTOP - Clamped
6	98-035	1	STACKER EXTENSION - Junior / Major.
7	605-033	1	Shoulder Washer - Ø12.32 x Ø6.86 x 3.96
8	401-02-030-006	2	Screw - Pan Pozi Taptite - M3 x 6 Lg.
9	409-01-040-016	1	Screw - Socket Set - Flat Point - M4 x 16 Lg.
11	461-01-030	2	Nut - Full - M3
12	481-030	8	Washer - Plain - M3



9



DocuFold Pro PERFORATOR ASSEMBLY

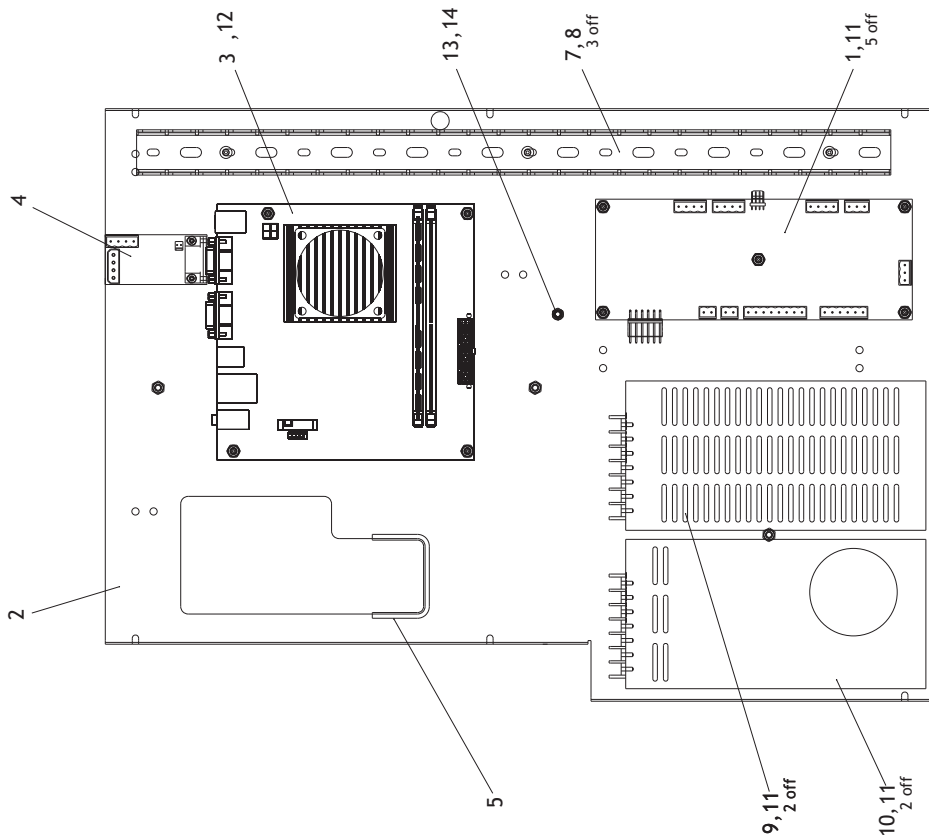
9-08-14 (EEC)
9-08-15 (USA)

ITEM No.	PART No.	QTY.	DESCRIPTION
1	98-003-02	2	TIE BAR - Perforator - Wide.
2	98-007-02	1	INPUT BED - Perforator - Wide.
3	98-009-02	1	LOWER GUARD - Perforator - Wide.
4	98-013-02	1	ANTI-STATIC STRIP (Tape).
5	98-018-02	1	STRIPPER - Perforator - Long.
6	98-021	1	FRAME PAD ASSY. - Op. Side.
7	98-022	1	FRAME PAD ASSY. - Non Op Side.
8	98-031-03	1	UPPER GUARD - Perforator - Docufold Pro.
9	98-032-02	1	LATCHING SHAFT ASSY. - Wide
10	98-085	1	DIN PLUG - Panel Mounted - 8 Way.
11	98-037	2	LATCH BEARING - Perforator.
12	98-048-02	1	PERFORATOR SHAFT ASSY. - Upper - Wide
13	98-049-02	1	PERFORATOR SHAFT ASSY. - Lower - Wide
14	98-050 98-051	1 1	Perforator Scale - Metric - Major Perforator Scale - Imperial - Major
15	601-096	1	End Tip Ø2.4XØ6.3X12.2 LG-BLK
16	603-057	1	TENSION PIN - Ø2.5 X 30 Lg
17	604-056	2	WAVED WASHER.
18	401-02-040-006	10	Screw - Pan Pozi Taptite - M4 x 6 Lg.
19	404-01-050-016	4	Screw - Socket Countersunk - M5 x 16 Lg.

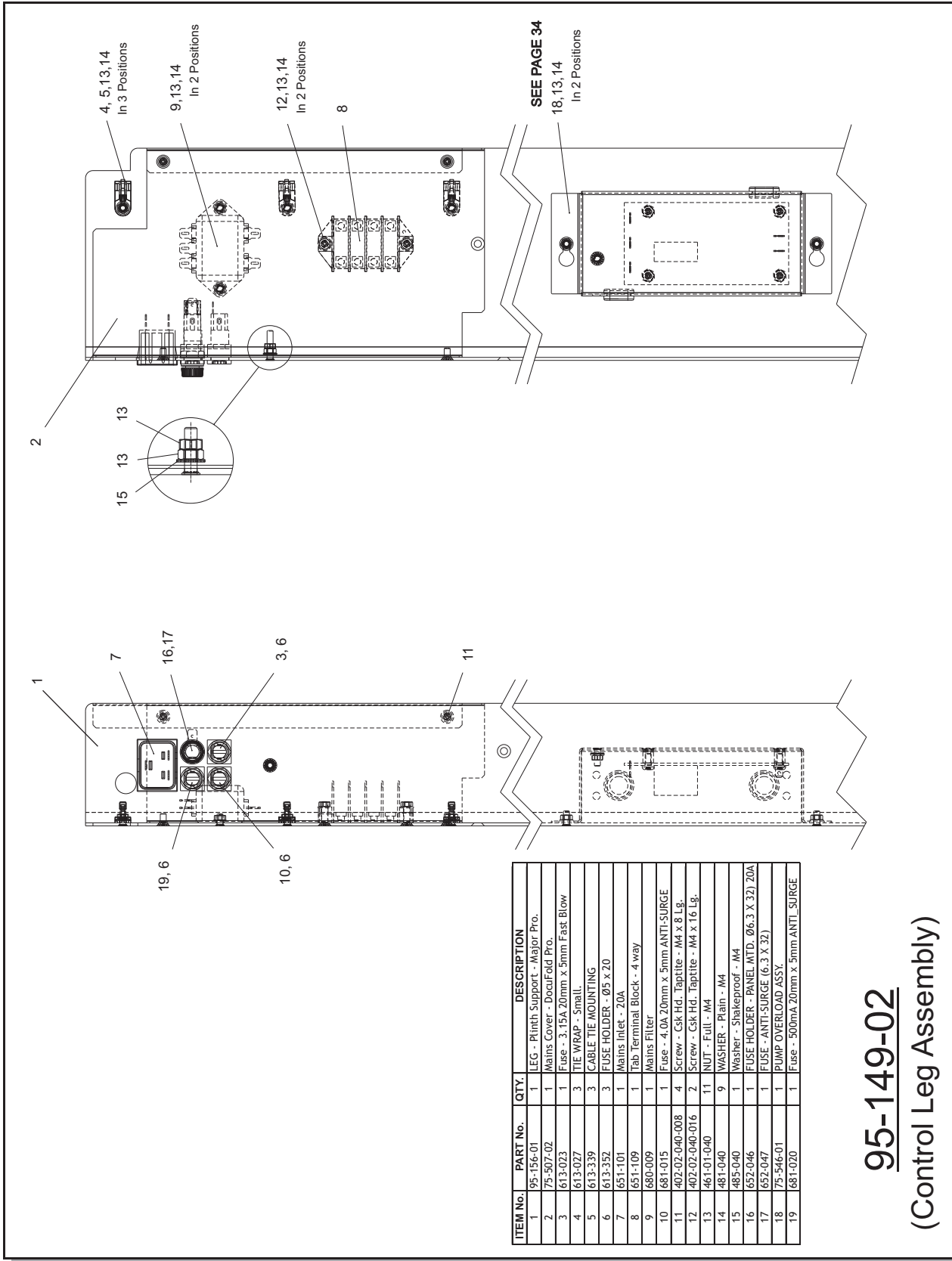
9

10

ITEM No.	PART No.	QTY.	DESCRIPTION
1	90-06-02	1	CONTROLLER BOARD P.C.B. Assy. - Major Pro.
2	95-147-01	1	CHASSIS - Control System - Major Pro.
3	75-600-01	1	Mini ITX Motherboard - Pro Machines
4	174-19-01	1	RS232 Adaptor Board
5	601-139	1	Grammet Strip.
7	650-096	500 mm	Open Slot Trunking 25mm x 37.5mm
8	650-097	3	SNAP RIVET - NYLON - Ø4.2 HOLE
9	655-015	1	PSU - Switch Mode - 24V
10	655-016	1	PSU - Switch Mode - 48V
11	401-02-040-006	9	Screw - Pan Pozzi Tapptite - M4 x 6 Lg.
12	401-02-040-008	4	Screw - Pan Pozzi Tapptite - M4 x 8 Lg.
13	461-01-040	1	NUT - Full - M4
14	483-040	1	SPRING WASHER - M4

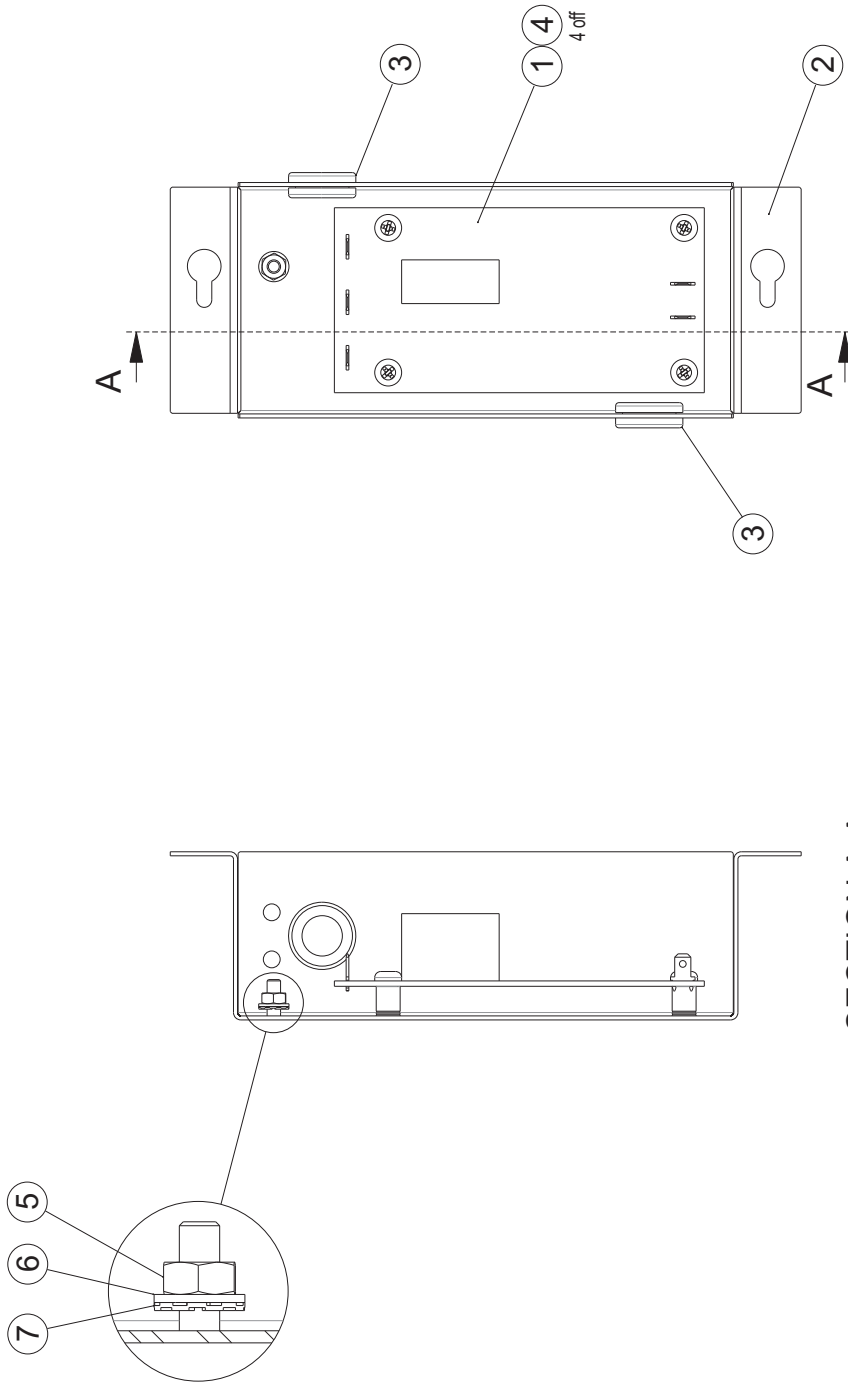


95-02-02 (CONTROL SYSTEM ASSEMBLY)



95-149-02
(Control Leg Assembly)

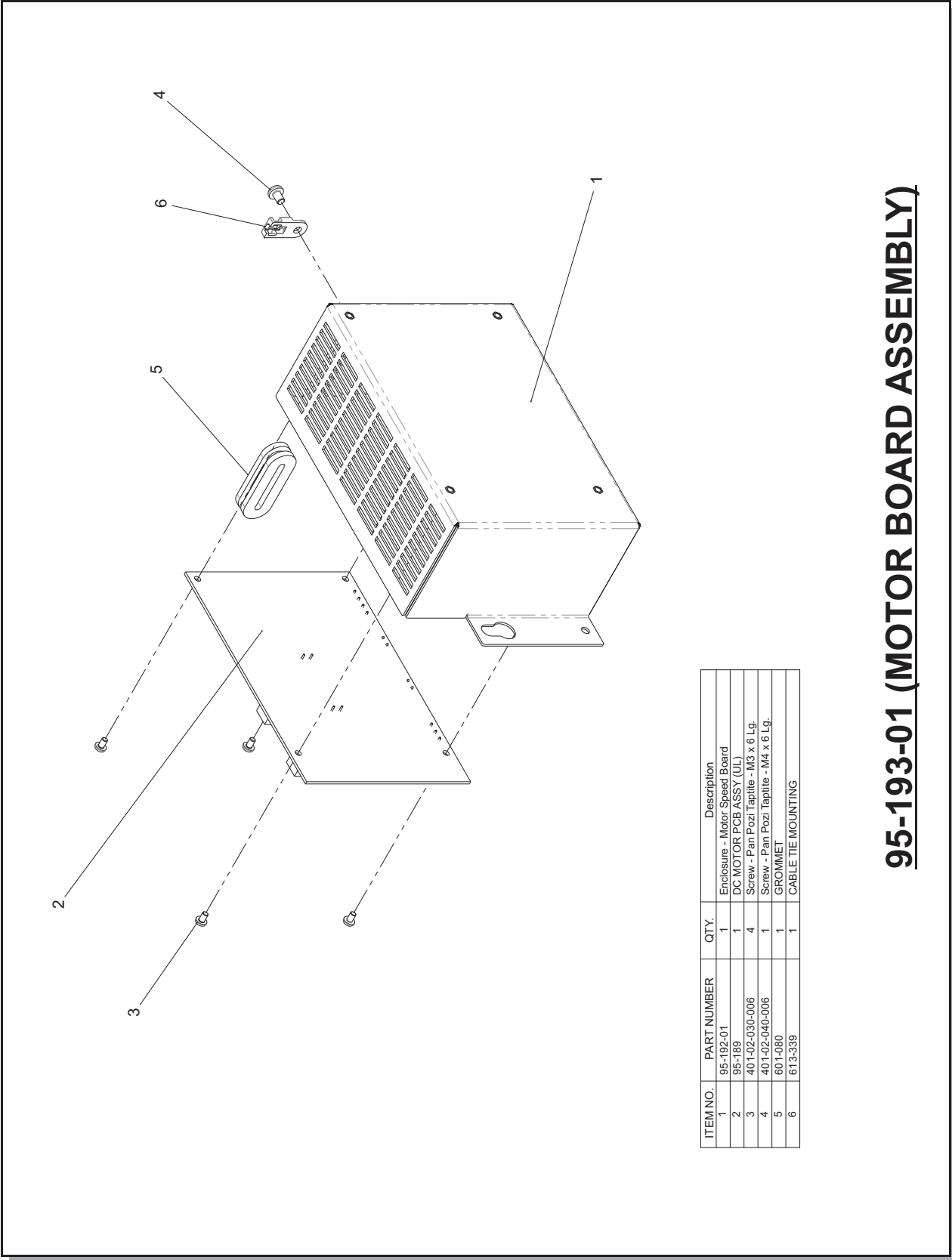
12



SECTION A-A

ITEM NO.	PART NUMBER	QTY.	Description
1	75-546-01	1	Pump Overload PCBA Assy
2	75-546-01	1	Enclosure - Pump Overload
3	601-0894	2	Grommet - Ø12.7 x Ø15 x Ø20 x 1.8
4	401-02-040-010	4	Screw - Pan Head Tapelite - M4 x 10 Lg.
5	481-01-040	1	Nut - Full - M4
6	481-040	1	Washer - Plain - M4
7	485-040	1	Washer - Shakeproof - M4

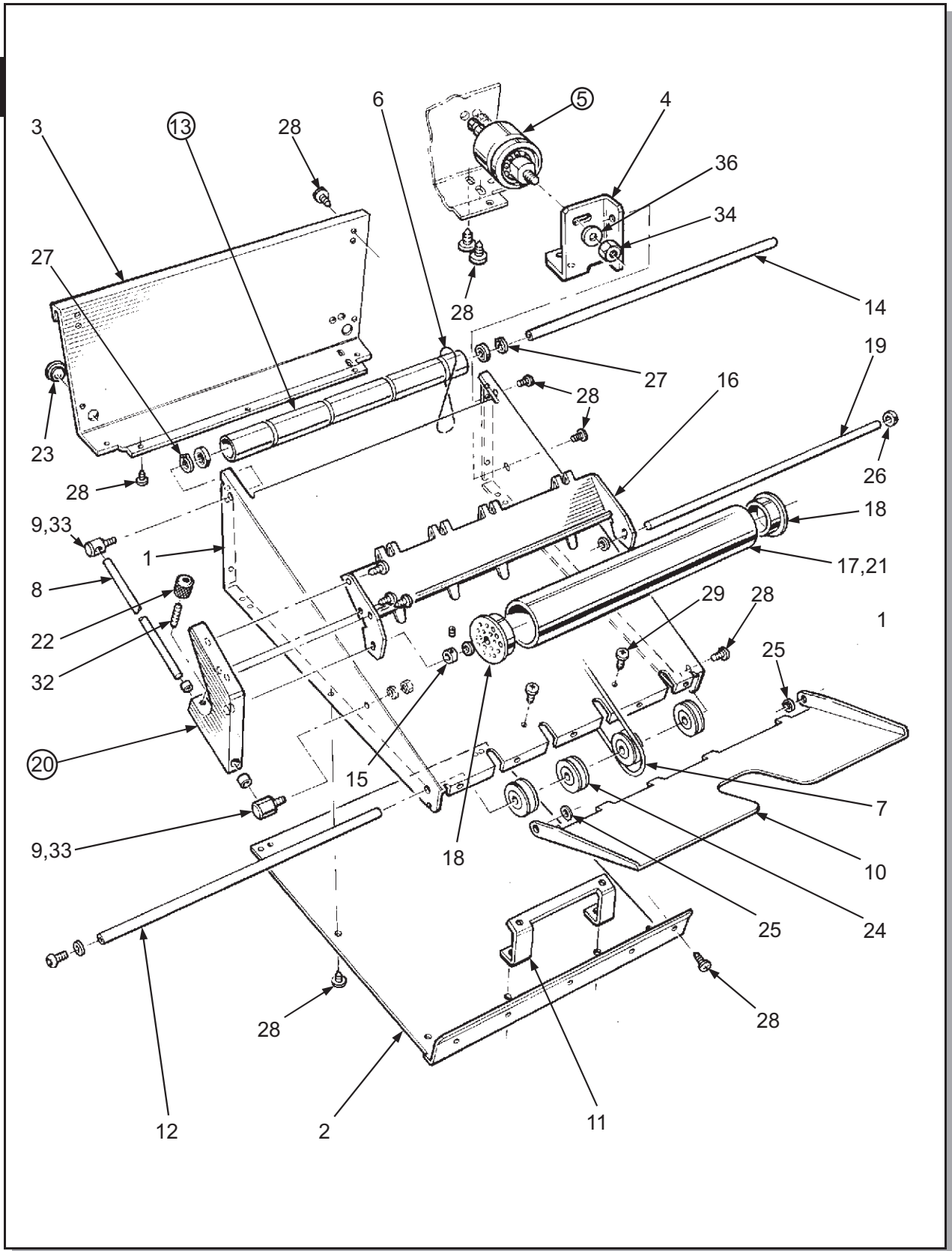
75-546-01
(Pump Overload Assembly)



ITEM NO.	PART NUMBER	QTY.	Description
1	95-192-01	1	Enclosure - Motor Speed Board
2	95-189	1	DC MOTOR PCB ASSY (UL)
3	401-02-030-006	4	Screw - Pan Pozil Taprite - M3 x 6 Lg.
4	401-02-040-006	1	Screw - Pan Pozil Taprite - M4 x 6 Lg.
5	601-080	1	GROMMET
6	613-339	1	CABLE TIE MOUNTING

95-193-01 (MOTOR BOARD ASSEMBLY)

13



REVISION HISTORY

morgana

Rev.	Mod No.	Mod Description	Date	Mod By
3	ECO2815	New Format Front Sheet Introduced.	15/02/13	BAL

Rev.	Mod No.	Mod Description	Date	Mod By
4	ECO2822	Page 32 Changes:- ITEM 3 was 75-500-08.	03/04/13	BAL