

Foster On-a-Roll Lifter Universal - 61580

Product Spec Sheet



Provided by

MyBinding.com

When Image Matters.

Call Us at 1-800-944-4573

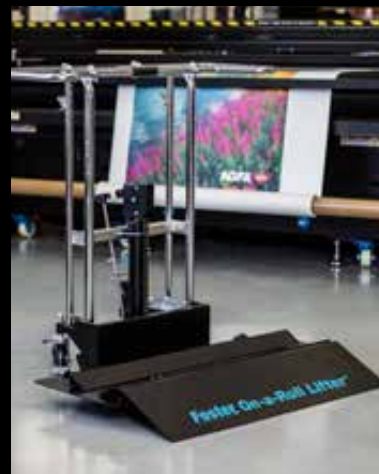


ON-A-ROLL LIFTER® UNIVERSAL



FOSTER ON-A-ROLL LIFTER® UNIVERSAL

The flat roll loading tray of the Foster Universal lifter fits printers including AGFA Anapurna, Mira, Tauro and Titan models, as well as many roll-to-roll flatbed cutters. The tray easily fits into the side of the roll loading area, and multiple roll wedge mounting holes enable the operator to position the roll precisely for loading and unloading. The roll loading ramp may be removed to prevent interference with dancer bars and other printer frame elements, and can be stored on the back of the upright frame when not in use. Using the safety straps, one operator can easily lift rolls as heavy as 660 lbs (300 kg) and as wide as 16 feet 5 inches (5 m).



The Foster Universal lifter enables a single employee to safely and efficiently maneuver media rolls through standard doorways and into tight spaces behind printers. The easily reconfigured roll tray can accommodate printers made by different manufacturers.

MyBinding.com
5500 NE Moore Court
Hillsboro, OR 97124

Toll Free: 1-800-944-4573
Local: 503-640-5920

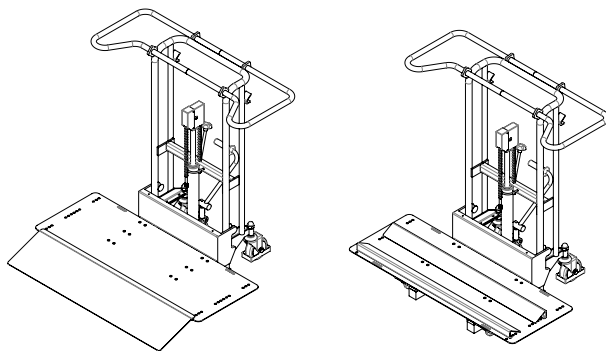
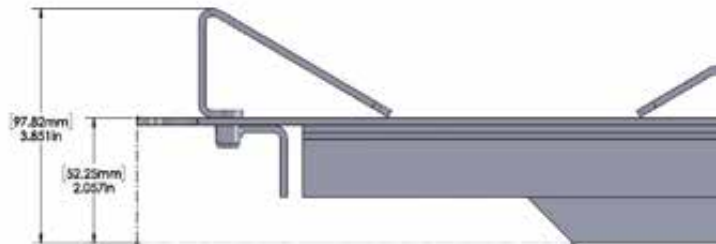
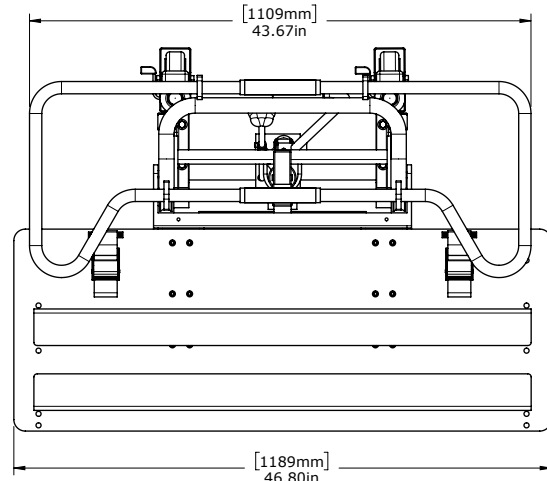
IMPORTANT FEATURES

- Thin flat roll tray fits inside the opening of most printers.
- Adjustable roll wedges and a removable roll ramp permit use with most printers and flatbed roll-to-roll cutters.
- Heavy rolls are handled easily, reducing the chance of on-the-job injuries.
- Rugged construction ensures long lifter life.
- One-person operation saves labor and time.

SPECIFICATIONS 61580

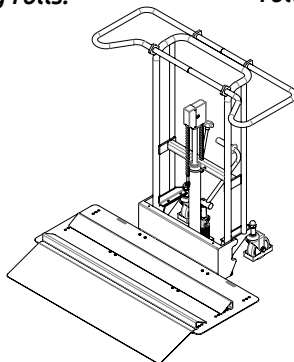
Roll Weight Capacity.....	300 kg (660 lbs)
Max Lift Height.....	85 cm (33.5")
Max. Roll Width	5 m (16'5")
Max. Roll Diameter	40 cm (15.75")
Width x Depth.....	120 cm x 110 cm (47.25" x 43.3")
Height.....	120 cm (47.25")
Weight.....	120 kg (265 lbs)
Bottom Fork Clearance	2.5 cm (1")
Front Swivel Castors.....	2" Ø x 1.46" W
Rear Swivel Castors	3" Ø x 1.46" W

2-year warranty on all wheels, hydraulics and media tray.
5-year warranty on cross bars.



Removable roll ramp permits easily loading rolls.

Roll wedges are easily repositioned to fit the roll and printer.



Ramp and roll wedges together.

