

# ***Proma 3' x 4' Aluminum Magnetic Projection Markerboard***

Product Spec Sheet



*Provided by*

**MyBinding.com**

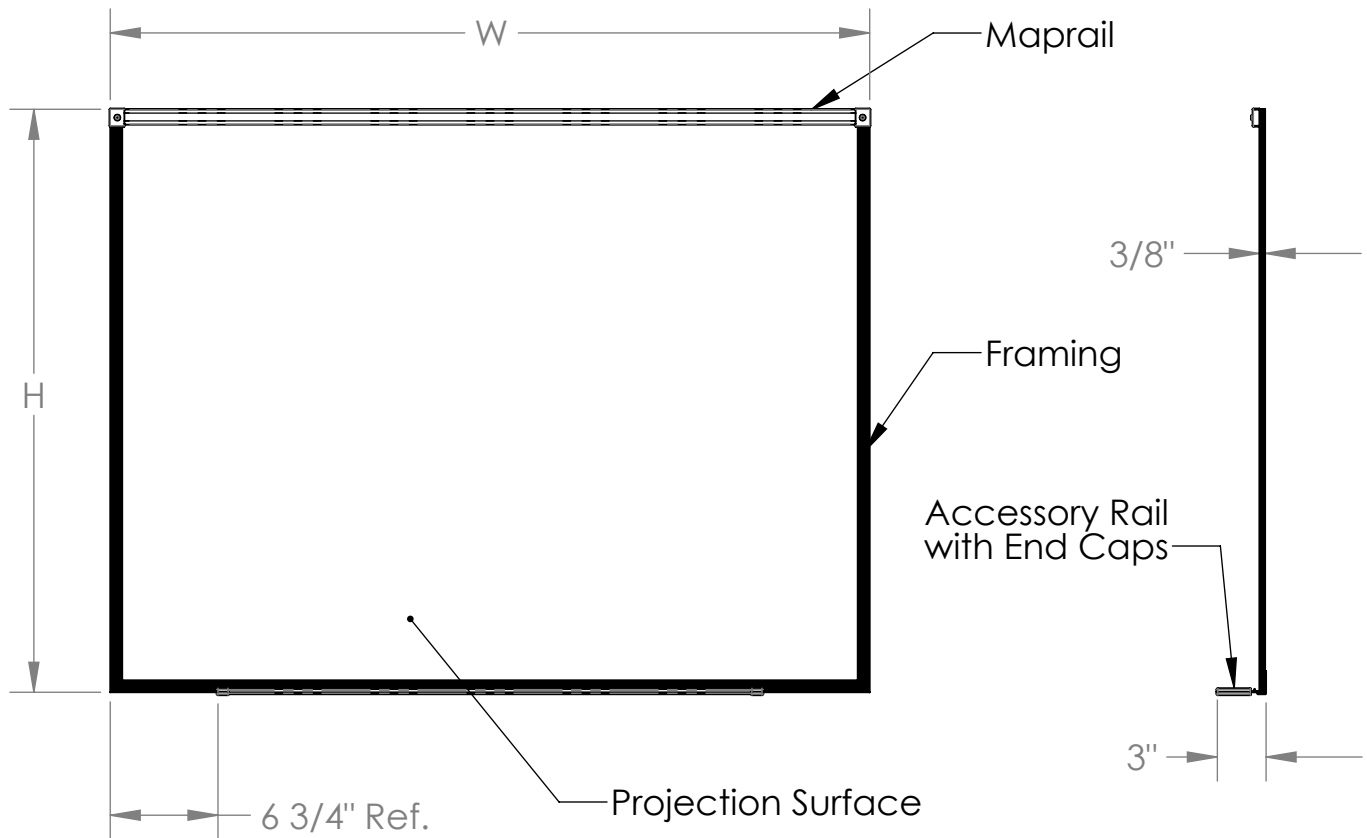
*When Image Matters.*

Call Us at 1-800-944-4573

# PRM1 Series

PROMA Projection Surface Boards

ghent.



## Materials:

- Framing and detached accessory tray: Satin anodized aluminum extrusion.
- Projection surface: White porcelain enameled aluminized steel sheet laminated to 1/4" thick hardboard with a mylar film backing.
- Accessory tray end caps: Gray thermoplastic

## Features:

- Full length 1" wide maprail, with natural cork installed.
- An eraser and black marker included.
- Mounting hardware included.
- Guaranteed for fifty years.
- Available in 4 board sizes:

| Nom.      | Actual                |
|-----------|-----------------------|
| 3'H x 4'W | (36-7/16" x 47-7/16") |
| 4'H x 4'W | (47-7/16" x 48-7/16") |
| 4'H x 6'W | (47-7/16" x 72-1/2")  |
| 4'H x 8'W | (47-7/16" x 96-1/2")  |

MyBinding.com  
5500 NE Moore Court  
Hillsboro, OR 97124  
Toll Free: 1-800-944-4573  
Local: 503-640-5920