

SealerSales SPW-981HP High Profile Entry-Level Pallet Stretch Wrapper

Product Spec Sheet



Provided by

MyBinding.com

When Image Matters.

Call Us at 1-800-944-4573

Low cost, entry level, semi-automatic machine



- Mechanical break stretch @ 100%
- 3,000lb load capacity
- Soft start, fixed speed turntable at 10RPM
- Can accommodate pallet loads up to 85" high
- Photo eye seeks pallet load height
- Programmable touch screen
- 110V
- Ideal for wrapping 10+ pallets/day
- Options include: built in weight scale, stainless steel construction

More Details:

SPW-981HP is a high profile model that can be loaded by forklift only. Ramp not included.

SPW-981LP is a low profile model that can be loaded by forklift or pallet jack. Includes extra long ramp for use with electric pallet jacks.

Specifications:

PRODUCTION RATE	30 – 40 LPH	MACHINE DIMENSIONS	83"L X 59"W X 116"H
POWER REQUIREMENTS	115 VOLTS, 1 PHASE, 15 AMP	CARRIAGE ELEVATOR	FIXED SPEED - DRIVE BELT
MAXIMUM LOAD SIZE	50"L X 50"W x 85"H	PHOTO EYE	WILL SEEK HEIGHT OF PALLET LOAD
MAXIMUM LOAD	3,000-LBS	FORK LIFT PORTABLE	YES
TURNTABLE	59" DIAMETER	CE APPROVAL	EXCEEDS OSHA SAFETY STANDARDS
TURNTABLE DRIVER	FIXED SPEED 0-10 RPM WITH SOFT START	SHIPPING WEIGHT	1,250-LBS
TURNTABLE DRIVE METHOD	HEAVY DUTY CHAIN	SHIPPING DIMENSIONS	129"L X 66"W X 30"H
TURNTABLE SUPPORT	HEAVY DUTY DELRIN DOUBLE RING ROLLER ASSEMBLY	FILM CAPACITY	ALL COMMERCIAL 20" WIDE STRETCH FILM
FILM DELIVERY SYSTEMS	MECHANICAL BREAK STRETCH SYSTEM DESIGNED TO PRODUCE FILM YIELDS OF UP TO 100%	WARRANTY	3 YEAR LIMITED WARRANTY

STRETCH PALLET WRAPPER

Model: SPW-981HP | SPW-981LP



User-friendly control panel

- Top wrap count
- Bottom wrap count
- Pallet wrap height
- On/off switch
- Emergency stop switch
- Start switch
- Stop switch
- Manual / auto mode
- Manual carriage control



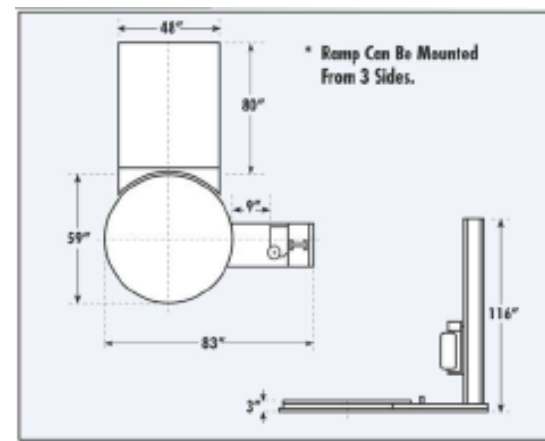
Utilizing 20" machine stretch film, the mechanical break stretch provides for increased film yields up to 100%



SPW-981LP
Can be loaded by forklift or pallet jack.
Includes extra long ramp for use with electric pallet jacks



SPW-981HP
Loads with forklift only; does not include ramp



Heavy duty chain drive on turntable with 14 sets of double roller turntable supports. No maintenance or lubrication required.