

***SealerSales TISH-400
16" Hand Impulse Sealer
w/ 2mm Seal Width***

Parts List



Provided by

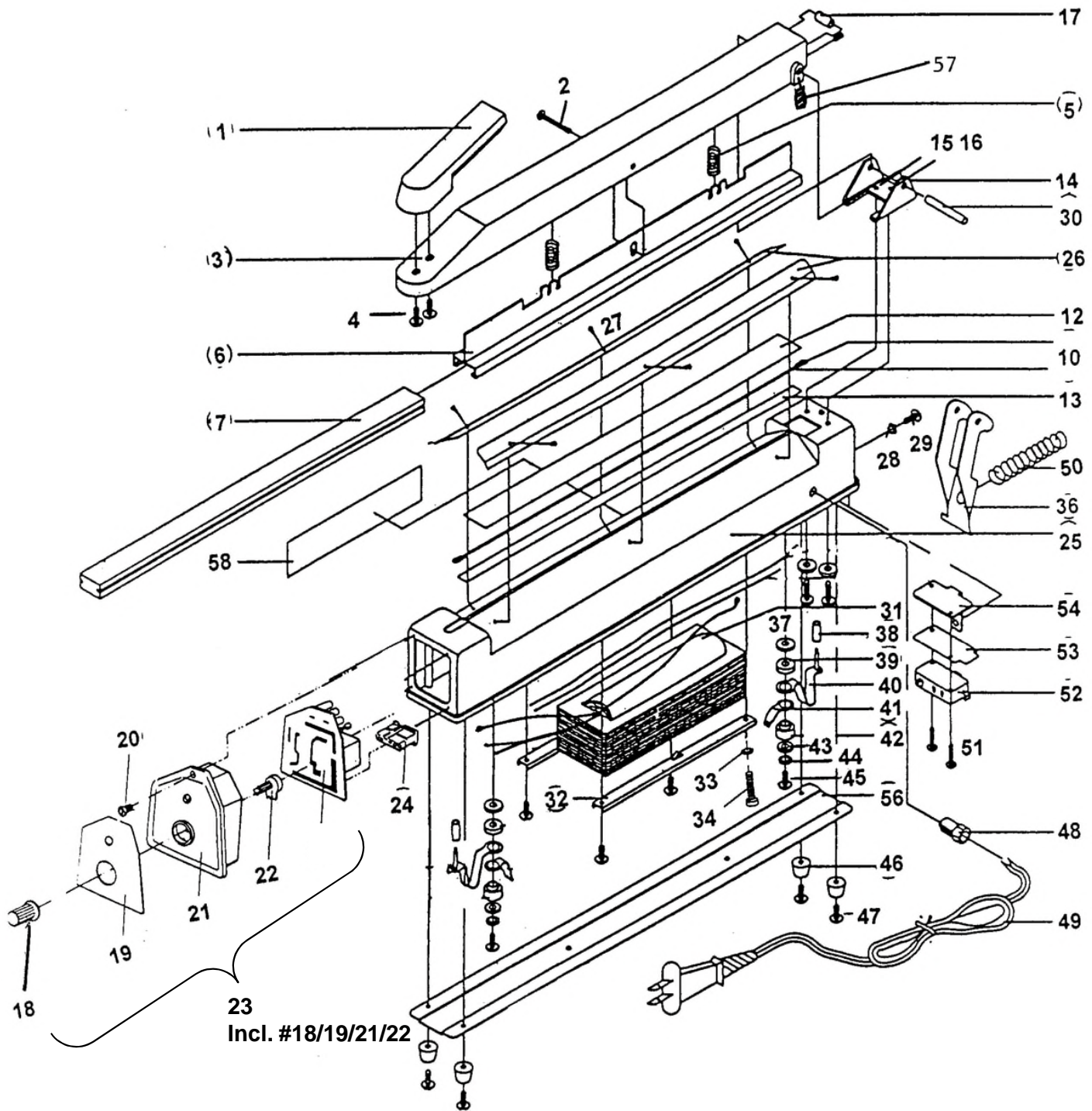
MyBinding.com

When Image Matters.

Call Us at 1-800-944-4573

■ Hand Sealers (TISH-300, 305, 400, 405, 500, 505)

Spare Parts **DIAGRAM**



MyBinding.com
5500 NE Moore Court
Hillsboro, OR 97124
Toll Free: 1-800-944-4573
Local: 503-640-5920

■ Hand Sealers (TISH-300, 305, 400, 405, 500, 505)

Spare Parts **DIAGRAM**

TEW TISH Hand (Last Updated: 05/05/15)				
No.	Description		No.	Description
	REPLACEMENT KITS Includes (2) elements, (2) PTFE cover, and (1) Ft. Long Roll of PTFE cover	RK-Model#		
1	Handle Button, Pressure Arm Handle (A1) (12",16", 20")		29	Screw for Microswitch Bracket
2	Screw Mounting Pivot (A6) (4", 8"), (12", 16", 20")		30	Fixed Pole of Handle, Hinge Pin (A7)
3	Handle, Pressure Arm (A2)		31	Transformer
4	Screw for Handle (4", 8"), (12", 16", 20")		32	Transformer Pressboard
5	Silicon Rubber Holder Spring (A3) (4", 8", 12", 16", 20")		33	Washer for Transformer
6	Silicon Rubber Holder, Pressure Plate (A4)		34	Screw for Transformer
7	Silicon Rubber, Pressure Pad (A5)	SR-	35	Wire Connector (B4)
8	Screw for Element (TISH-100,200)		36	Microswitch Lever (B9)
9	Washer (TISH-100,200)		37	Metal Washer HA-1
10	Heating Element		38	Bakelite Pipe, HA-2 (MS-TEW comes standard with bakelite pipe)
10a	Heating Element Cover (Larger than on KFHC sealers)	KFH-49	39	Insulating Washer HA-3
11	Ground Screw (TISH-100,200)		40	Bow Spring, Mounting Spring HA-4 , MS-TEW, MS-TEW5
11a	Element Pin Set includes 8, 9, 11 (TISH-100,200)	TISH-EPS	40a	Heater Terminal Assembly HTA includes parts 37-45 HTA-TEW
12	PTFE Cover, Upper Barrier Tape (A12)		40b	Bow Spring, Mounting Spring w/ insulator, MSI-TEW, MSI-TEW5
13	PTFE Adhesive, Bottom Barrier Tape (A11)		41	Brass Contact, PR-08, HA-5
14	Fixed Seat of Handle, Hinge Bracket (A8)		42	Convex Bakelite, HA-6
15	Screw/ Hexagon Nut (12", 16", 20")		45	Screw, HA-9
16	Spring Washer (TISH-100,200)		46	Rubber Foot(B15) (4"), (8"), (12", 16")
17	Fixed Shaft Linear of Handle	TISH-17	47	Screw for Rubber Foot
18	Time Adjusting Knob (A17)	TISH-18	48	Bushing, Cable Restraint (B13)
19	Time Indicating Plate, Name Plate (A18)		49	Power Cord (B14),
20	Screw for Timer		50	Microswitch Lever Spring (B8) (12", 16")
21	Cover of Timer		51	Screw for Microswitch
22	Variable Resistor(A19)/Potentiometer, B1M	TISH-22	52	Microswitch (B5)
23	Timer(B13), Complete Unit includes 18,19,21,22 T (4")(8"),(12",16",20"),(HC) Same for 2mm, 5mm,	T-	52-1	Microswitch Spring Plate (part not shown)
23a	Timer 220V	T-	53	Microswitch Insulating Plate
23b	Relay on the PCB of Timer	TISH-23b	54	Microswitch Bracket (B6)
24	Connector (B2)	TISH-24	55	Microswitch Fixed Plate (TISH-100,200)
25	Body (A9)		56	Bottom Plate, Cover Plate (B12)
26	PTFE Cover Plate (A10), per each		57	Setting Screw for Fixed Pole
27	Screw for PTFE Cover Plate	TISH-27		
28	Washer for Microswitch Bracket	TISH-28		

MyBinding.com
 5500 NE Moore Court
 Hillsboro, OR 97124
 Toll Free: 1-800-944-4573
 Local: 503-640-5920