

SealerSales W-300DAT
12" Table-Top Direct Heat Sealer
w/ PTFE Coated Meshed Seal

Parts List



Provided by

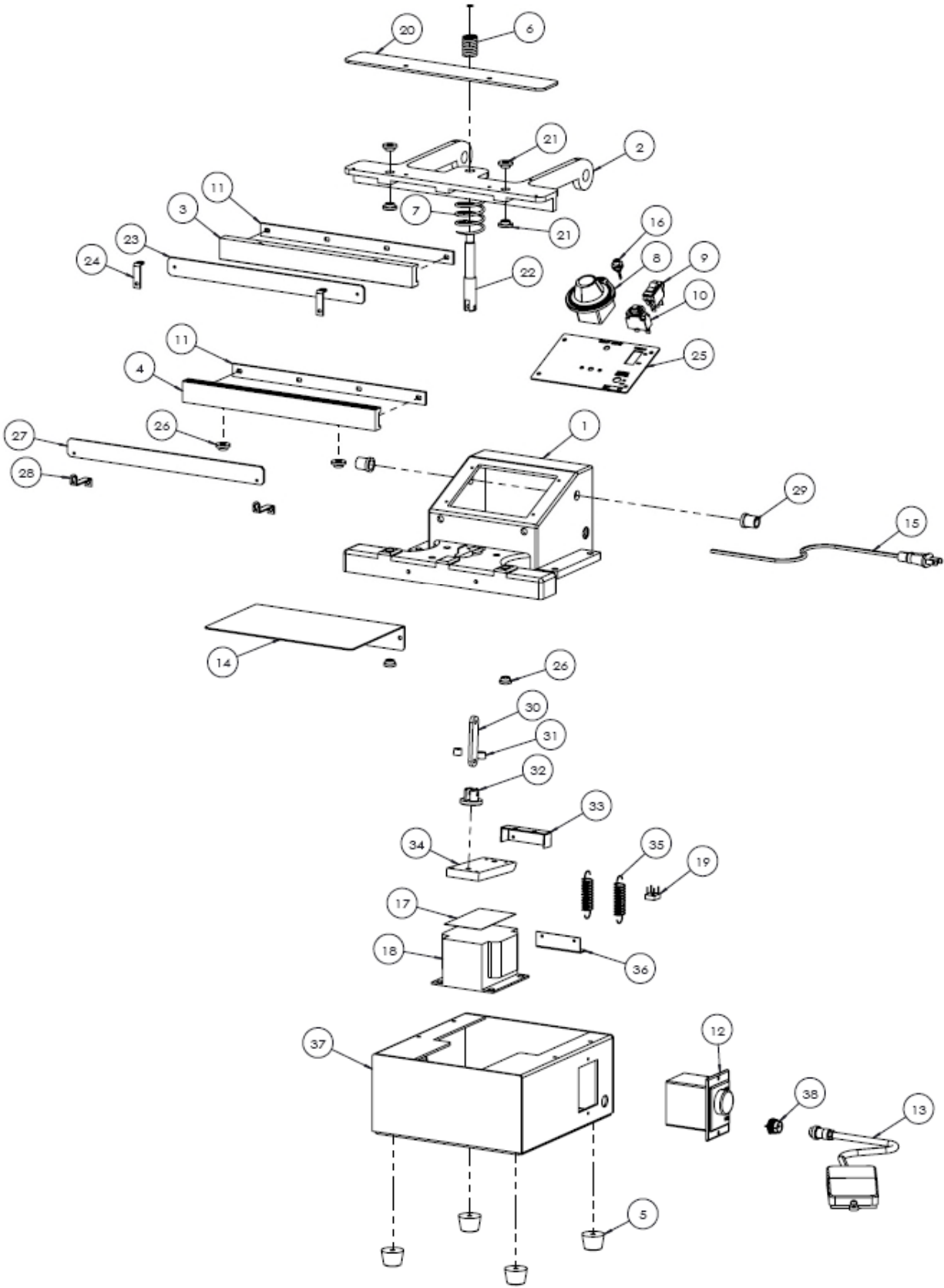
MyBinding.com

When Image Matters.

Call Us at 1-800-944-4573

MyBinding.com
5500 NE Moore Court
Hillsboro, OR 97124
Toll Free: 1-800-944-4573
Local: 503-640-5920

■ Spare Parts Diagram for
W-300DA **W-300DAT** *W-300DATS*



■ Spare Parts Diagram for

W-300DA **W-300DAT** *W-300DATS*

MyBinding.com
 5500 NE Moore Court
 Hillsboro, OR 97124
 Toll Free: 1-800-944-4573
 Local: 503-640-5920

PARTS LIST			
1	Control Set Bracket	20	Protector Bar / Isolated Plate / Top of Upper Seal Bar
2	Upper Bracket/Jaw and Lower Bracket/Jaw	21	Silicone Washer (big)
2B	Upper Bracket/Jaw and Lower Bracket/Jaw	22	Shaft of Pole
3	Teflon Coated Sealing Bar	23	Protector Bar / Isolated Plate / Upper Sealing Bar
5	Rubber Foot	24	Fixed Plate (upside) / Protector Bar Bracket
6	Spring, Small	25	Control Panel
7	Spring, Large , W-00402	26	Silicone Washer (small)
8	Thermostats (E.G.O) E-010	27	Protector Bar / Isolated Plate / Lower Sealing Bar
9	Power Switch E-00101	28	Fixed Plate (downside) / Protector Bar Bracket
10	Circuit Breaker, E-00101, 7A	29	Bushing (Upper Bracket)
11	Heater	30	Connected Plate
12	Timer Set SH2-Y(6S) E-009A	31	Rubber Foot
13	Foot Switch, 6.5 feet E-011	32	Fixed Bracket (spring)
13a	Microswitch for Foot Switch	33	Upper Bracket (Tension Spring)
14	Working Plate	34	Sucking Plate
15	Power Cord PC-WH	35	Tension Spring
16	LED Lamp for E.G.O.	36	Bottom Bracket (Tension Spring)
17	Fiber Plate	37	Base
18	Electromagnet	38	Joint (Foot Switch)
19	Rectifier		