

# ***SealerSales WN-750F***

***30" Extra-Long Foot-Operated Impulse  
Sealer w/ 2.7mm Seal Width***

Parts List



*Provided by*

**MyBinding.com**

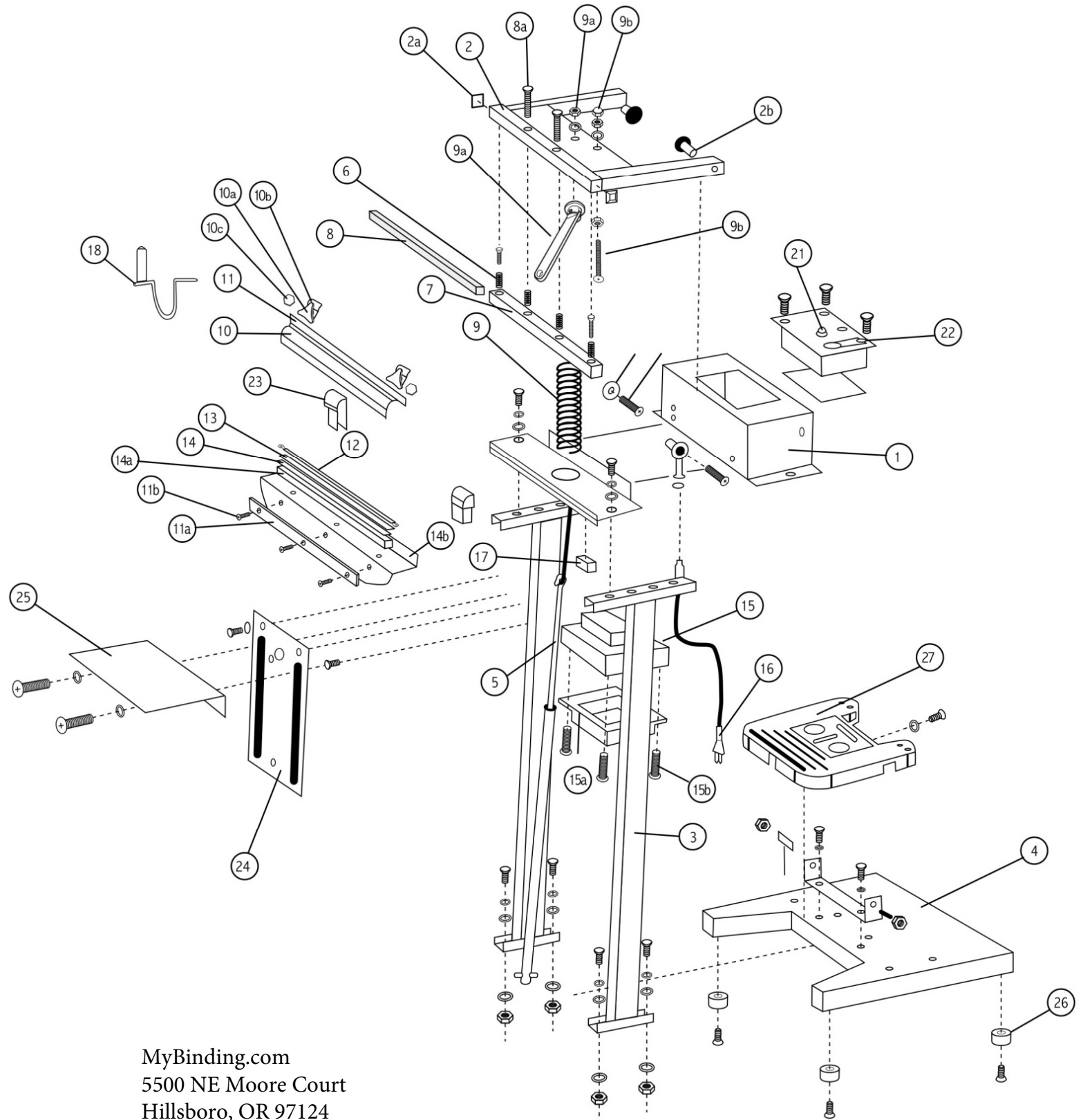
*When Image Matters.*

Call Us at 1-800-944-4573

# WH Series Long Foot Sealers

WN-750F/W-900F

## Spare Parts DIAGRAM



MyBinding.com  
5500 NE Moore Court  
Hillsboro, OR 97124  
Toll Free: 1-800-944-4573  
Local: 503-640-5920

# ■ WH Series Long Foot Sealers

## WN-750F/W-900F

### Spare Parts **DIAGRAM**

<b>WH LONG FOOT</b>					
<b>No.</b>	<b>Description</b>		<b>No.</b>	<b>Description</b>	
1	Control Set Bracket / Skull		11	PTFE Cover Roller	
2	Upper Jaw		11A	Fixed Plate for PTFE Cloth	<b>WHLH-5B</b>
2B	Hex Cap Screw 9x38	<b>WHLF-2B</b>	11B	M4*8 Screw	<b>Screw-M4x8</b>
3	T Pedestal Stand	<b>WHLF-3</b>	12	Heating Wire	<b>HE-30 / HE-35</b>
3a	T Pedestal Stand, Extended, 36"	<b>WHLF-3a</b>	13	PTFE Adhesive	<b>TA-30 / TA-35</b>
4	Pedal Base	<b>WHLF-4</b>	14	Fiber Plate - 1.2m (47") - cut to fit	<b>WHLH-49</b>
4A	Pedal Base and Bracket and Screws	<b>WHLF-4A</b>	15	Transformer	<b>TRNS-</b>
4B	Bracket and Screws for Pedal Base	<b>WHLF-4B</b>	15A	Transformer Cover	
4C	Screws for the side bracket for Pedal Base (2pcs)	<b>WHLF-4C</b>	15B	Bolt - 5mmx90mm	<b>Screw</b>
5	Level Set, Pulling Pole Set	<b>PPS-WHLF</b>	16	Power Cord	<b>PWC-WH</b>
5a	Level Set, Extended 36"	<b>PPSE-WHLF</b>	17	Limit/Microswitch	<b>MSW-WHF</b>
	T Pedestal Stand + Pulling Pole Set	<b>PPE+ST+WHLF</b>	18	Spring Hook, Mounting Spring	<b>MS-WH</b>
	T Pedestal Stand, Extended, 36" + Pulling Pole Set	<b>PPSE+STE+WHLF</b>	19	Power Switch	<b>WHLF-19</b>
6	Spring, Small, Silicone Bracket (WHA, WHLF)	<b>WHA-7</b>	20	Circuit Breaker 15A	<b>WHI-11c</b>
7	Silicone Rubber Holder		21	Knob, Red for (W-Series)	<b>WHA-30</b>
8	Silicone Rubber	<b>SR-</b>	22	Control Panel, Timer, (26", 30", 35"), CB (15A)	<b>T-</b>
8A	Hex Cap Screw 5/16 (4 screws on sealer)	<b>WHA-50</b>	23	Heater Element Cover	<b>WHLF-23</b>
9	Pressing Spring, XL, same as WHDF - 132mm	<b>WHDF-12A</b>	24	Working Adjusting Plate	<b>WHLF-24</b>
9A	Short Pulling Pole and Plate Set	<b>WHLF-9A</b>	25	Working Plate, Working Table - 27 1/2" x 6 3/4"	<b>WHLF-25</b>
9B	Long screw + 2 Hex washers + Head Nut	<b>WHLF-9B</b>	26	Rubber Foot (WH Rubber Foot except WHA)	<b>WHLF-26</b>
10	PTFE Cover	<b>TR-30 / TR-35</b>	27	Foot Board	<b>FB-WH</b>
10A	Multi Star Knob (W-Series)	<b>WHA-15</b>	28	Pedestal Stand and Level Set (3+5)	
10B	Plate for PTFE Sheet (Clip) (W-Series)	<b>WHA-14</b>	29	Pedestal Stand and Level Set Extended 36" (3a +5a)	
10C	Hexagon Bolt M6*16	<b>WHLH-44</b>			

MyBinding.com  
 5500 NE Moore Court  
 Hillsboro, OR 97124  
 Toll Free: 1-800-944-4573  
 Local: 503-640-5920