

***SealerSales YC-450FC
18" Foot-Operated Impulse
Sealer w/ Sliding Cutter***

Parts List



Provided by

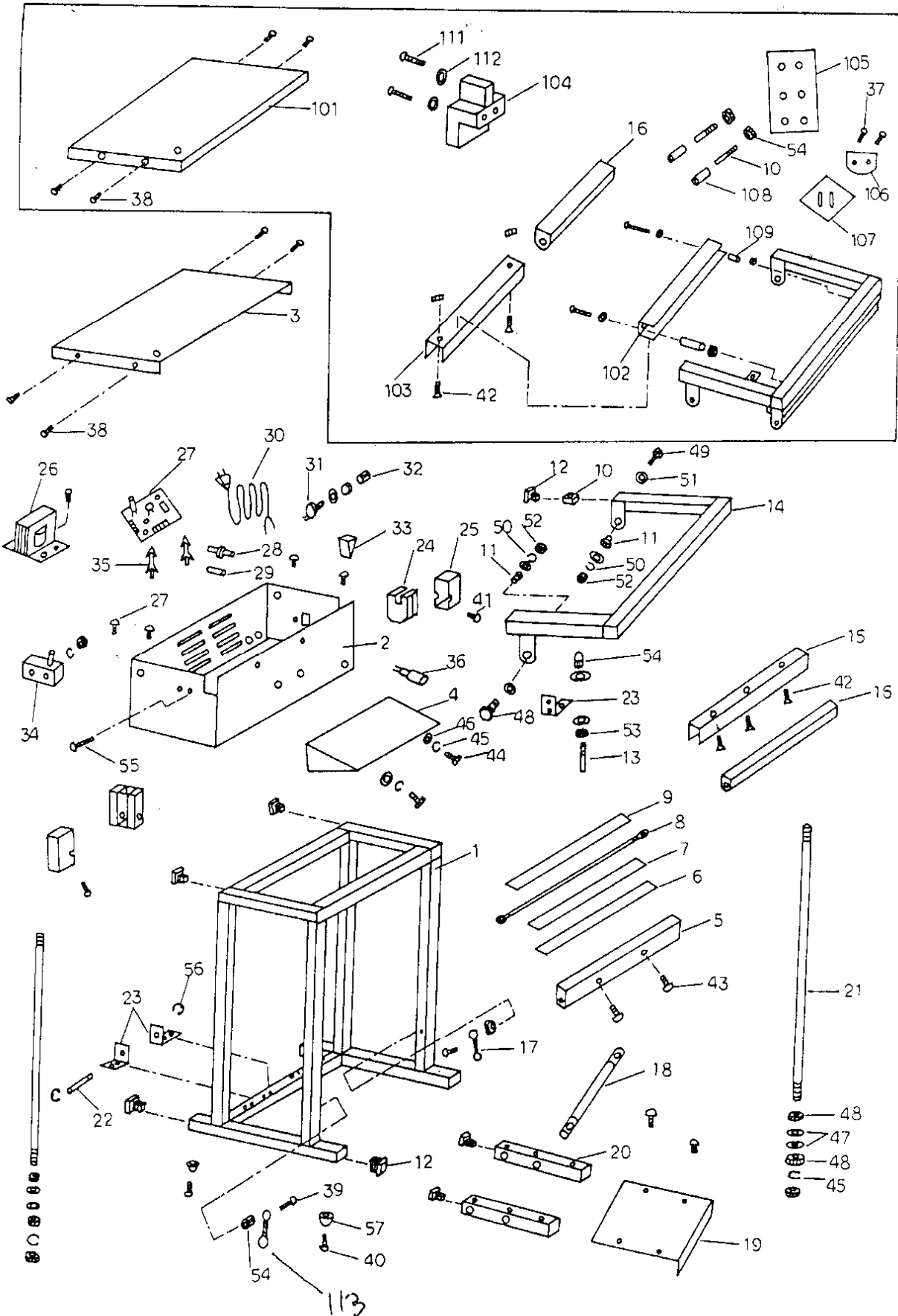
MyBinding.com

When Image Matters.

Call Us at 1-800-944-4573

■YC FOOT SEALER W/ CUTTER (YC-450FC, YC-600FC)

Spare Parts **DIAGRAM**



MyBinding.com
5500 NE Moore Court
Hillsboro, OR 97124
Toll Free: 1-800-944-4573
Local: 503-640-5920

■ YC FOOT SEALER W/ CUTTER (YC-450FC, YC-600FC)
Spare Parts LIST (PART 1 of 2)

YC FOOT SEALER W/ CUTTER (Last Updated: 08/14/12)			
No.	Parts No.	Description	
1	F-01 A,B,C	Base or Stand (300), (450), (600)	
2	F-02 A,B,C	Bracket, Body	
3	F-03 A, B,C	Cover, Body	
4	F-04 A,B,C	Working Plate	
5	F-05 A,B,C	Bracket, Seat for Heating Element	
6	F-06 A,B,C	Acrylic Plate	
7	F-07 A,B,C	Flame Retardant (Teflon Strip) 3/4"	
8	F-08 A, B,C	Heating Wire	
9	F-09	Flame Retardant (Teflon Strip) 1/2"	
10	F-10	Bracket	
11	F-11	Washer	
12	H-17	Lid	
13	F-12	Shaft	
14	F-13 A, B,C	Upper Arm	
15	H-18 A, B,C	Silicon Rubber Holder / 3 Holes	
16	H-19 A, B, C	Silicone Rubber	SR-
17	F-14	Spring, for Foot Shaft	YCF-17
18	F-15 A, B,C	Foot Shaft	
19	F-16 A, B, C	Plate, Foot	
20	F-17	Lever	
21	F-18	Shaft, Side, Pull Rod, 2 pcs.	YCF-21
22	F-19	Shaft, Pin	YCF-22
23	H-24	Plate, L-Bracket	YCF-23
24	E-12	Spring Box	HTAB-WH-YC
25	E-13	Cover	YCF-25
26	E-01 A, C, E	Transformer TH-1013	TRNS-
27		Transformer TH-1015	TRNS-
28	E-02	PC Board (same as YCL except 600HL)	PCB-YC
28-a	E-11	Support / PC Board	YCF-28a
29	E-05	Fuse Holder	YCF-29
30	F-05,B,C,	Fuse 10A	YCF-30
31	E-04	Power Cord	YCF-31
32	E-07	Variable Resistor	YCF-32

MyBinding.com
5500 NE Moore Court
Hillsboro, OR 97124
Toll Free: 1-800-944-4573
Local: 503-640-5920

■YC FOOT SEALER W/ CUTTER (YC-450FC,YC-600FC)

Spare Parts LIST (PART 2 of 2)

YC FOOT SEALER W/ CUTTER (Last Updated: 08/14/12)			
No.	Parts No.	Description	
33	E-09	Knob	YCF-33
34	E-10	Power Switch	YCF-34
35	E-14	Microswitch MSW-YCF	MSW-YCF
36	E-08	Lamp	YCL-36
37	S-01	Screw M4x6 for Blade Fixed Plate#106	YCF-37
38	S-15	Screw M4x8 for Cover of Body	YCF-38
39	S-02	Screw M4x10 for Spring #17	YCL-55
40	S-03	Screw M4x15 for Rubber Foot	YCL-53
41	S-16	Screw M3x6 for HTAB Cover	YCF-41
42	S-06	Screw M3x6 for #15	
43	S-17	Screw M5x8 for #5	YCL-56
44	S-18	Screw M6x16 for#4	YCF-44
45	S-19	Spring Washer M6 for #4, #21	YCF-45
46	S-20	Washer M6x16 for#4	
47	S-14	Washer M6x12 for #21	YCF-47
48	S-21	Nut M6, Hinge, #21	YCF-48
49	S-22	Screw M8x16,for #14	
50	S-23	Spring Washer M8, for #14	YCF-50
51	S-24	Washer M8, for #14	YCF-51
52	S-25	Nut M8, for #14	YCF-52
53	S-26	Nut M5 for #15	YCF-53
54	S-27	Nut M4 for #15	YCL-50
55	S-33	Screw M4x40 for Microswitch	
56	S-34	E-Shaft E-6, E-Clip	YCF-56
57	H-26	Rubber Mat	YCF-57
101	F-101 A, B, C	Cover/Body	
102	F-102 A, B, C	Bracket for Silicone	
103	F-103 A, B, C	Silicone Rubber Holder / 2 Holes	
104	H-104	Bracket / Knife	CBB-YC
105	H-105	Plate / Cutter Unit Frame	
106		Plate / Blade Fixed Plate	
107	H-107	Knife/Blade	B-YC
108	H-108	Bushing	
109	H-109	Bushing	
110	H-110	Screw	
111	S-04	Screw M4x20 for knife bracket	YCF-111
112	S-08	Washer M4 for Knife bracket	YCL-49
113		Bracket w/knife	
114		Box	