

AKILES COMBMAC 24E

Instruction Manual



Provided By

MyBinding.com®
When Image Matters.

COMBMAC 240E OPERATIONAL MANUAL

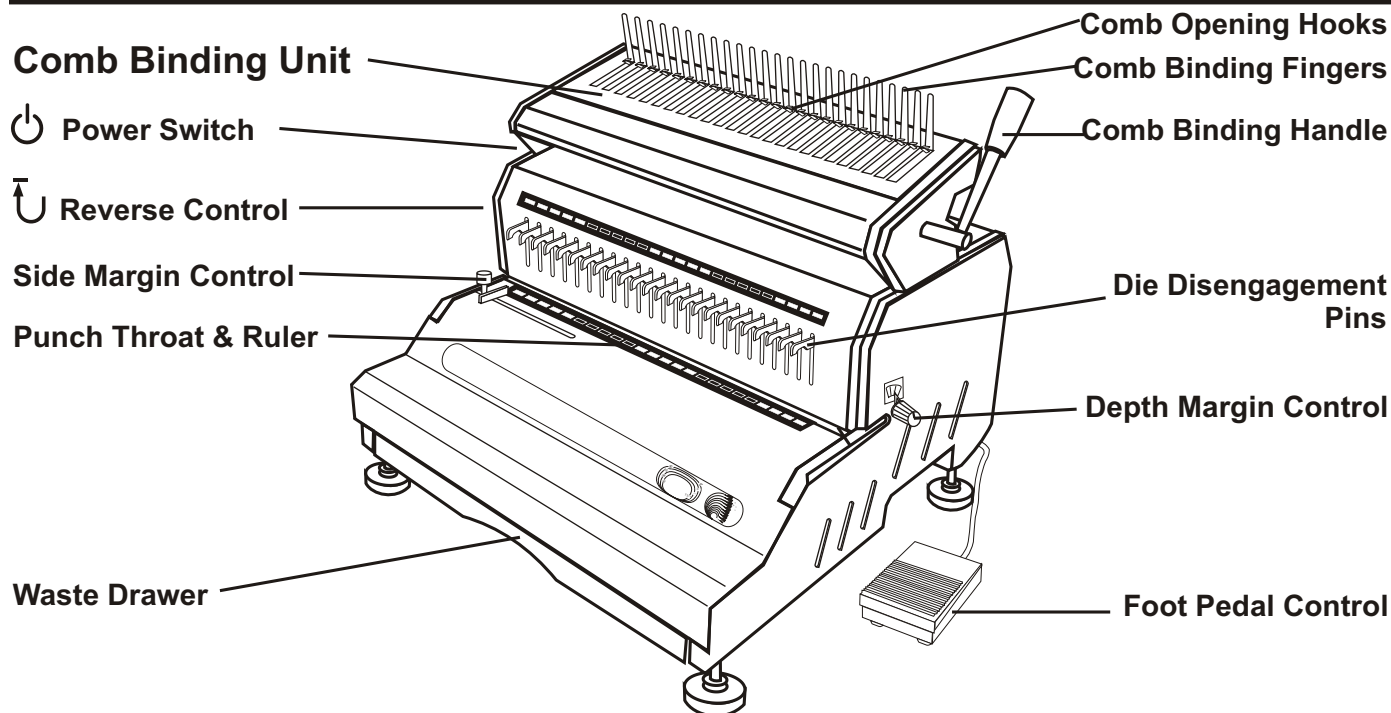
INTRODUCTION

CONGRATULATIONS ON THE PURCHASE OF YOUR NEW **COMBMAC - 240E**, A PROFESSIONAL AND HEAVY-DUTY COMB PUNCH AND BINDING MACHINE. YOUR **COMBMAC - 240E** WAS DESIGNED WITH A FULL RANGE OF FUNCTION AND PREMIUM QUALITY COMPONENTS TO GUARANTEE YOU AN EFFORTLESS AND PROFESSIONAL BIND, AS WELL AS MANY YEARS OF TROUBLE-FREE SERVICE.

IMPORTANT

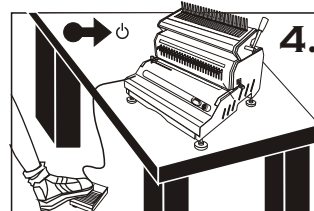
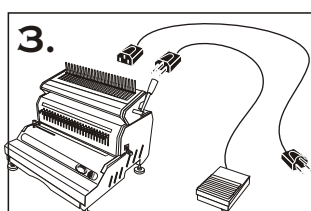
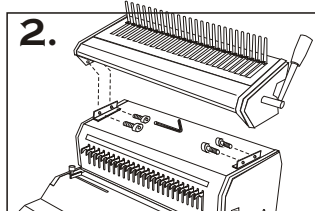
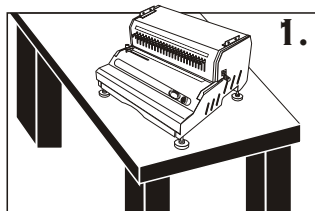
WE RECOMMEND THAT YOU TAKE A FEW MINUTES TO FAMILIARIZE YOURSELF WITH THE FUNCTIONS OF YOUR NEW **COMBMAC - 240E**. YOU WILL FIND THAT WITH JUST A LITTLE PRACTICE, ANY PERSON CAN ACHIEVE PROFESSIONAL RESULTS.

FEATURES



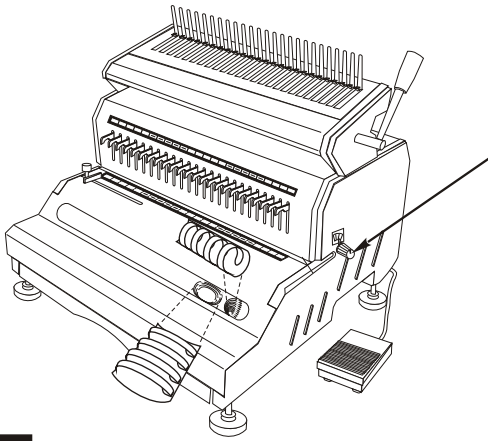
ASSEMBLY & SAFETY INSTRUCTION

1. Place your new **COMBMAC - 240E** on top of a sturdy working table. **See picture 1**
2. Place Comb Binding unit on top of **COMBMAC - 240E** and fasten it by attached screws & wrench. **See picture 2**
3. Plug the power cord and foot pedal cord to the back of machine. **See picture 3.**
4. Turn on Power switch and press foot pedal to test punching . **See picture 4.**

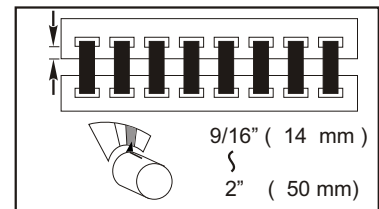
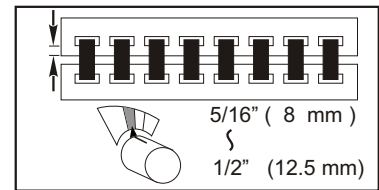
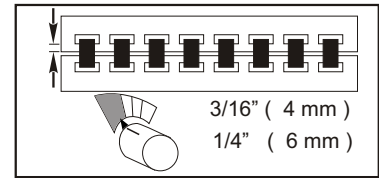


5. Always turn switch-off and place Foot Pedal out of reach when machine is not in use.
6. To reduce the risk of electric shock, never operate the **COMBMAC - 240E** near water.
7. Do not use the **COMBMAC - 240E** if power cord is damaged.
8. Do not allow the electric cord to be in contact with hot surfaces.
9. In case of malfunction, return the unit to your distributor for service. This equipment does not contain any part that can be serviced by the consumer or operator.

SET-UP

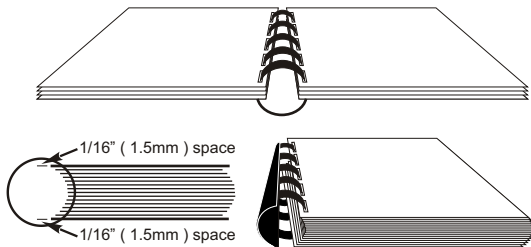


1. Push & dial **Depth Margin Control** to the right position depends on the diameter of your combs .

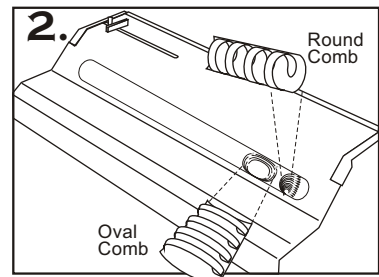


TIPS

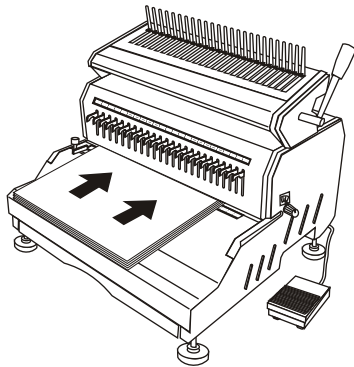
For easy turning of pages, make sure you have the correct depth margin for punch and always using the combs at least 1/8" (3mm) than the thickness of your bound documents .



2. (If needed) Use **Master Selector** to select / identify the size of your combs.

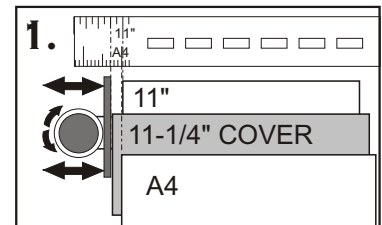


PUNCHING



1. Align **Side Margin Control** to proper sheet & cover size.

Note: There are different side margins for 11" sheets & their 11-1/4" covers.



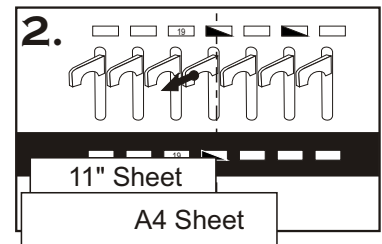
TIPS

Maximum single punching capacity: 23 sheets (20 lbs paper)

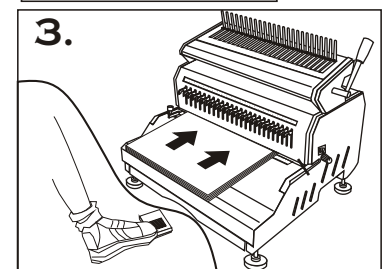
Recommended number of sheets per punch (for maximum equipment durability): 15 sheets (20 lbs paper)

Empty the Waster Drawer from time to time. Overfilled Waste Drawer may cause machine to malfunction.

2. Pull out **Disengagement Pins** to avoid partially punched holes.

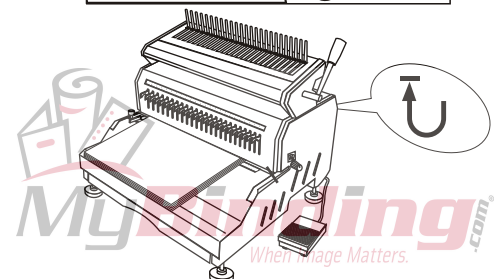


3. Insert sheets and press foot pedal to punch.

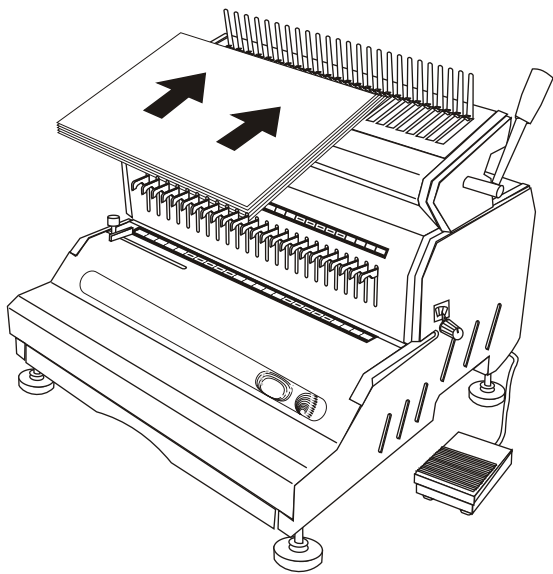


IN CASE OF PAPER JAM

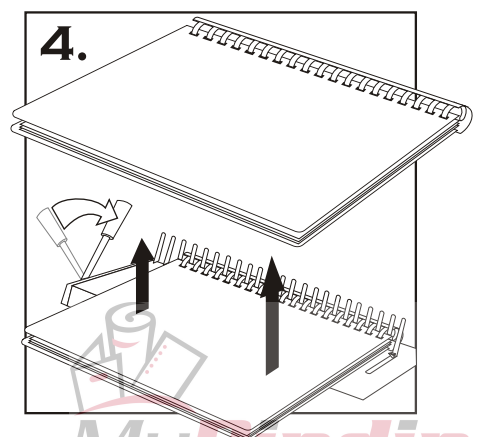
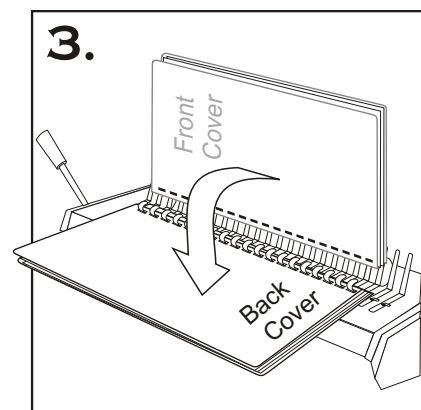
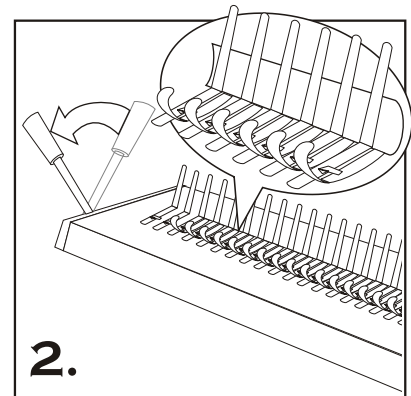
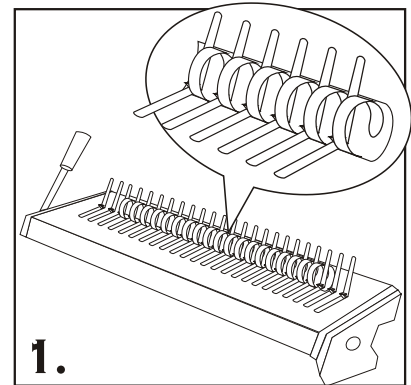
The punching action will automatically stop in case the punch sheets are overloaded or too heavy. When this occurs, simply press the Reverse Button in the back of the machine repeatedly, until all the punching dies return to their original, home position. Now you can pull out some of the sheets and re-start the punching action by pressing the Foot Pedal



COMB BINDING

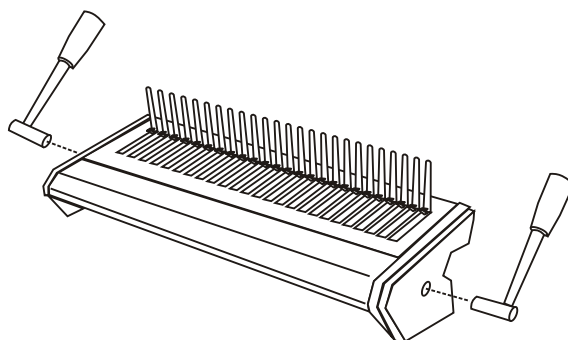


1. Place pre-selected comb behind Comb Binding Fingers. The comb opening side should be upward.
2. Slowly pull Comb Binding Handle forward to open comb until the comb binder is opened sufficiently to allow pages and covers to be inserted.
3. Neatly align the pages and covers. Holding the documents tightly with the front towards you, feed the comb through the holes.
4. When all comb are fully positioned through the holes, slowly move handle backward to close the comb. Lift out the bound documents from fingers. The comb binding is complete.




TIPS

The binding handle is optional for right-hand operation or left-hand operation. Just plug into right axle or left axle of your favorite.



TECHNICAL INFORMATION

Size	Comb 9/16" (14.28mm) 																																																											
Punching Length	14" = 24 Holes LEGAL = 23 Holes A4 = 21 Holes 11" = 19 Holes 8.5" = 15 Holes A5 = 14 Holes																																																											
Binding Capacity	<table border="1" style="width: 100%; border-collapse: collapse;"> <thead> <tr> <th style="text-align: center;">Sheets 70-80 g/m²</th> <th colspan="2" style="text-align: center;">Diameters</th> </tr> <tr> <th></th> <th style="text-align: center;">Inch</th> <th style="text-align: center;">mm</th> </tr> </thead> <tbody> <tr> <td colspan="3" style="text-align: center;"><u>ROUND COMB</u></td> </tr> <tr><td style="text-align: center;">30</td><td style="text-align: center;">1/4</td><td style="text-align: center;">6</td></tr> <tr><td style="text-align: center;">50</td><td style="text-align: center;">5/16</td><td style="text-align: center;">8</td></tr> <tr><td style="text-align: center;">60</td><td style="text-align: center;">3/8</td><td style="text-align: center;">9</td></tr> <tr><td style="text-align: center;">80</td><td style="text-align: center;">7/16</td><td style="text-align: center;">10</td></tr> <tr><td style="text-align: center;">100</td><td style="text-align: center;">1/2</td><td style="text-align: center;">12</td></tr> <tr><td style="text-align: center;">120</td><td style="text-align: center;">9/16</td><td style="text-align: center;">15</td></tr> <tr><td style="text-align: center;">140</td><td style="text-align: center;">5/8</td><td style="text-align: center;">16</td></tr> <tr><td style="text-align: center;">160</td><td style="text-align: center;">3/4</td><td style="text-align: center;">20</td></tr> <tr><td style="text-align: center;">190</td><td style="text-align: center;">7/8</td><td style="text-align: center;">22</td></tr> <tr><td style="text-align: center;">220</td><td style="text-align: center;">1</td><td style="text-align: center;">25</td></tr> <tr><td style="text-align: center;">240</td><td style="text-align: center;">1-1/8</td><td style="text-align: center;">28</td></tr> <tr> <td colspan="3" style="text-align: center;"><u>OVAL COMB</u></td> </tr> <tr><td style="text-align: center;">280</td><td style="text-align: center;">1-1/4</td><td style="text-align: center;">32</td></tr> <tr><td style="text-align: center;">310</td><td style="text-align: center;">1-1/2</td><td style="text-align: center;">38</td></tr> <tr><td style="text-align: center;">350</td><td style="text-align: center;">1-3/4</td><td style="text-align: center;">45</td></tr> <tr><td style="text-align: center;">400</td><td style="text-align: center;">2</td><td style="text-align: center;">50</td></tr> </tbody> </table>			Sheets 70-80 g/m ²	Diameters			Inch	mm	<u>ROUND COMB</u>			30	1/4	6	50	5/16	8	60	3/8	9	80	7/16	10	100	1/2	12	120	9/16	15	140	5/8	16	160	3/4	20	190	7/8	22	220	1	25	240	1-1/8	28	<u>OVAL COMB</u>			280	1-1/4	32	310	1-1/2	38	350	1-3/4	45	400	2	50
Sheets 70-80 g/m ²	Diameters																																																											
	Inch	mm																																																										
<u>ROUND COMB</u>																																																												
30	1/4	6																																																										
50	5/16	8																																																										
60	3/8	9																																																										
80	7/16	10																																																										
100	1/2	12																																																										
120	9/16	15																																																										
140	5/8	16																																																										
160	3/4	20																																																										
190	7/8	22																																																										
220	1	25																																																										
240	1-1/8	28																																																										
<u>OVAL COMB</u>																																																												
280	1-1/4	32																																																										
310	1-1/2	38																																																										
350	1-3/4	45																																																										
400	2	50																																																										

WARRANTY POLICY

YOUR **COMBMac - 240E** HAS A WARRANTY OF ONE YEAR FROM DATE OF PURCHASE. IN THE EVENT OF A MANUFACTURER'S DEFECT, YOUR DISTRIBUTOR (AT OPTION) WILL REPAIR OR REPLACE IT. IMPORTANT: THIS WARRANTY DOES NOT COVER DAMAGES DUE TO IMPROPER USE OR MISS TREATMENT OF THE UNIT, INCLUDING ANY EXTRAORDINARY EVENT LEADING TO THE DAMAGE OF THE MACHINE, WHETHER IT IS REVERSIBLE OR NOT.

IF THE **COMBMac - 240E** IS NOT WORKING PROPERLY, FIRST FOLLOW THE CORRECTIVE ACTIONS ABOVE. IF THE PROBLEM PERSISTS, PLEASE CONTACT YOUR DEALER FOR FURTHER INSTRUCTIONS. PLEASE HAVE YOUR MACHINE'S SERIAL NUMBER AND THE PURCHASE DATE READY. IF THE MACHINE MUST BE RETURNED TO YOUR DISTRIBUTOR, IT IS YOUR RESPONSIBILITY TO PROPERLY PACK AND SHIP IT. AS ANY DAMAGES INCURRED DURING ITS TRANSPORTATION IS NOT COVERED BY OUR WARRANTY POLICY.