

# A La Cart XL

Charging Cart for Chromebooks & Tablets

Designed specially to accommodate today's larger Chromebooks and tablets!

**Two wide handles**  
create easy maneuverability

**Locking cabinet**  
holds up to 32 devices



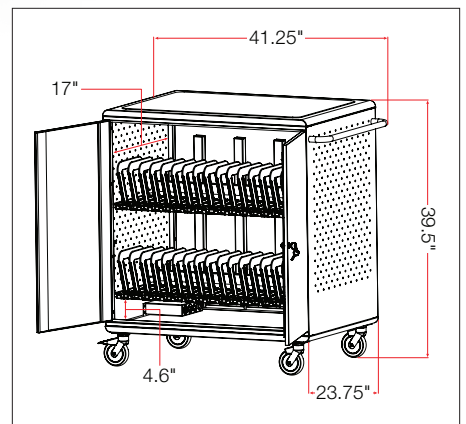
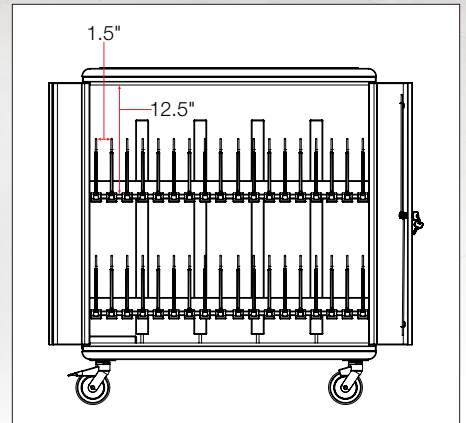
Accommodates the Otterbox Defender Series case with cover!

**Heavy duty 4" casters**  
two locking



Available fully assembled!





## A La Cart XL

- The new A La Cart XL is the optimum for charging and securing the new bigger format Chromebooks and tablets, up to 32 devices with one cord to the wall.
- The integrated power distribution device prevents the power draw from overdrawing your circuit.
- Compatible with Chromebook and Otterbox Defender Series. Space for the full Otterbox Defender case with cover or other hard-cased Chromebooks.
- Sliding plastic dividers between tablet slots can be configured for wider devices. Dividers feature cable management clips and wraps. Please check required slot dimensions for your specific device. Slots measure 12.5"H x 1.5"W x 17"D.
- Vertical clearance on each charging shelf is 12.5", and depth is 17". Bottom space (4.6"H) provides storage for your AV or other equipment.
- The electronically switched AC power distribution unit allows for 12A of charging for up to 16 devices at a time. The repeating cycle timer switches automatically with 15 minutes per bank cycles to help to prevent circuit overload (please do not be alarmed when the two power strips do not light when first plugged in).
- Four ETL Listed power strips (eight outlets each) included.
- Cart exterior includes locking doors on both sides, a non-skid top, ventilated side panels, two generous handles for easy maneuverability, two auxiliary power outlets, an on/off switch, a cord winder, and heavy duty 4" casters (two locking).
- Fully assembled. TAA compliant. Has achieved GREENGUARD GOLD Certification.

Part No.	Item	Product Dimensions	Ship Wt.
27726A	A La Cart XL Charging Cart	39.5"H x 41.25"W x 23.75"D	168 lbs

Shipping weights are listed on a per item basis and may vary based on quantities ordered. All trademarks and registered trademarks are the property of their respective owners.



WWW.MYBINDING.COM